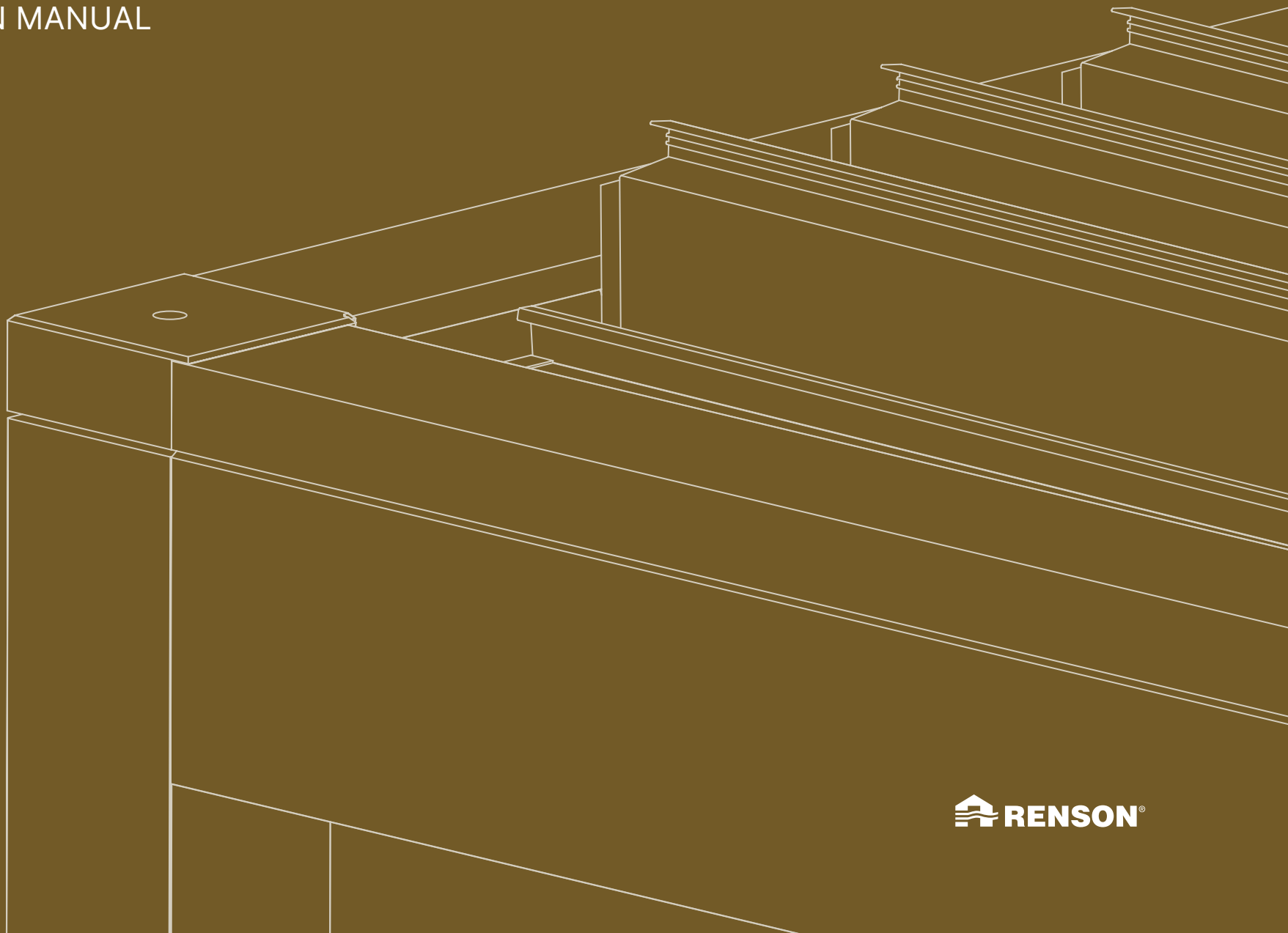


amani

INSTALLATION MANUAL



*Where modern design
meets timeless beauty,
Amani arises.*

*A vision of serenity and
harmony, born from
passion and precision.*

≡ Table of Contents

INTRODUCTION	7
1 • Amani general	8
1.1 • Introduction	8
Renson® Amani.....	8
Symbols	8
1.2 • Important safety and assembly instructions.....	8
1.2.1 • Opening the packaging	8
1.2.2 • Installing the system	8
1.2.3 • Electrical connections	9
1.2.4 • Starting.....	9
1.2.5 • Warranty.....	9
1.3 • Installation types & dimensions.....	10
1.3.1 • Single building types	10
1.3.2 • Joined on the pivot side	10
1.3.3 • Joined on the span side	11
1.3.4 • Facade mounted with partial wall.....	11
1.4 • Technical information.....	13
1.4.1 • Motor position	13
1.4.2 • Base plates	14
1.4.3 • Junctions.....	16
1.4.4 • Water drainage and water transit.....	18
1.4.5 • Orientation of structure	22
1.4.6 • Packaging	23
CONSTRUCTION	24
2 • Basic construction	25
2.1 • Freestanding type	25
2.1.1 • Determine the position of the base plates	25
2.1.2 • Installation of the power cables.....	26
2.1.3 • L-junction with column (pivot)	27
2.1.4 • L-junction with column (span)	29
2.1.5 • I-junction with column	31
2.1.6 • L-junction without column.....	32
2.1.7 • T-junction with column (linked roof section)	35
2.2 • Wall-mounted	40
2.3 • Monitoring and securing frame profiles.....	50
2.4 • Fastening of feed and discharge hopper	51
2.4.1 • L-junction with column.....	51
2.4.2 • L-junction without column	51
2.4.3 • I-junction with column.....	51
2.4.4 • T-junction with column (linked roof section)	52
2.5 • Sealing the gutter end caps.....	53
2.6 • Water test 1: checking the gutter system.....	56
2.7 • Sealing inside corner between span and pivot	57
2.8 • Installation of column cover and front cover.....	58
2.8.1 • L-junction with column.....	58
2.8.2 • I-junction with column.....	60
2.8.3 • L-junction with column at a recessed front cover.....	61
2.8.4 • I-junction with column at a recessed front cover.....	62
2.8.5 • Installation of the iconic LED lighting.....	64
2.8.6 • L-junction without column	67
2.8.7 • Base cover plate at L-junction without column.....	68
2.8.8 • UPVC finish extraction	69
3 • Construction of the roof	70
3.1 • Bladed roof.....	70
3.1.1 • Fitting the blades.....	72
3.1.2 • Fitting the driving profile and drive rod	74
3.2 • Control for the bladed roof	76
3.2.1 • Setting control for the bladed roof.....	76
3.2.2 • Changing the frost/snow protection function via the Set&Go installation tool.....	78
3.2.3 • Drive fine adjustment + securing the drive.....	82
3.2.4 • Returning the motor control to factory settings.....	83

3.3 • Fixed roof.....	84	4.5.6 • Installing end cap on corner	126
3.3.1 • Fitting the finishing profiles.....	84	4.6 • Louvred canopy without iconic LED-line	127
3.3.2 • Fitting the canvas profiles	85	4.7 • Fitting cables with optional LED lighting.....	127
3.3.3 • Fitting the leaf catchers.....	87	4.7.1 • Via corner knife bracket	128
3.3.4 • Fitting the roof plates.....	88	4.7.2 • Via end knife bracket	134
3.3.5 • Finishing the roof plates	93	4.7.3 • Multiple iconic LED-line on one canopy side.....	136
3.3.6 • Fitting the canvas	94	4.8 • Fitting cover on side profile	137
4 • Louvred canopy.....	98	4.9 • Fitting caps on pivot side	138
4.1 • Inserting knife brackets	100	4.10 • Install L-corner piece	139
4.1.1 • End knife bracket.....	100	COMFORT BLADES	140
4.1.2 • Corner knife bracket	102	5 • Accessories roof	141
4.1.3 • Joining knife bracket	104	5.1 • Protecto	141
4.2 • If iconic LED line: prepare wiring	106	5.2 • Lineo Heat.....	146
4.2.1 • With end knife bracket.....	106	5.2.1 - Position the Amani drill jig on the high pivot side.....	146
4.2.2 • With corner knife bracket	106	5.2.2 - Position the jig on the low pivot side	148
4.3 • Fit cover (+ cable reducer if iconic LED line)	107	5.2.3 • Installing the fixation bracket	149
4.3.1 • End knife bracket	107	5.2.4 • Connecting the wiring of the heating element	150
4.3.2 • Corner knife bracket	107	5.2.5 • Installing the Lineo Heat.....	153
4.3.3 • Joining knife bracket.....	108	5.2.6 • Set up the Heat using the hand-held remote (io).....	157
4.4 • Installation of louvred canopy frame	109	5.3 • Lineo Fix	158
4.4.1 • Installing side profiles of end knife brackets and corner		5.3.1 - Position the jig on the high pivot side	158
knife brackets	109	5.3.2 - Position the jig on the low pivot side	160
4.4.2 • Installing profile at the back of single roof sections	110	5.3.3 • Installing the fixation bracket	161
4.4.3 • Installing profile at the back of joined roof sections.....	112	5.3.4 • Installing the Lineo Fix.....	162
4.4.4 • Installing the side profile of the joining knife bracket.....	114	5.4 • Lineo Luce.....	166
4.4.5 • Fixing side profiles of end knife brackets and corner knife		5.5 • Lineo LED	168
brackets.....	115	INFILLS	170
4.4.6 • Installing front profiles	116	6 • Fixscreen.....	171
4.4.7 • Fitting cover on side knife brackets.....	118	6.1 • Installation	171
4.5 • Installation of cassettes.....	119	6.2 • Setting Fixscreen end points	182
4.5.1 • Orientation of cassettes	119	6.3 • Moving the Fixscreen endpoints	185
4.5.2 • Cassettes on span	120	6.4 • Returning to the Fixscreen default settings	186
4.5.3 • Cassettes on pivot.....	122		
4.5.4 • Installing blades under louvred canopy.....	124		
4.5.5 • Installing end cap for end knife bracket	126		

7 • Fixed wall - Linarte	187	10 • Fixed wall with door - unfinished	251
7.1 • Installing the support posts.....	187	10.1 • Installation of the column cover plates.....	252
7.2 • Installation of the skirting profile.....	191	10.2 • Determining the position of the door	253
7.3 • Installation of Casco brackets.....	193	10.3 • Installation of the inner finish of the door.....	254
7.4 • Installation of the vapor barrier.....	195	10.4 • Installation of the door frame.....	256
7.5 • Installation of the Linarte support profile	197	10.5 • Installation of the door frames.....	258
7.6 • Installation of the Linarte supporting profiles.....	198	10.6 • Installation of the support posts on the door frames	261
7.7 • Installation of the Linarte profiles.....	199	10.7 • Installation of the door lock.....	261
8 • Fixed wall - unfinished	204	10.8 • Installation of unfinished brackets between the support posts	261
8.1 • Installing the support posts	204	10.9 • Installation of the plinth(s).....	261
8.2 • Installation of the brackets in the upper beam - unfinished.....	208	10.10 • Installation of the vapor barrier.....	261
8.3 • Installation of the skirting profile.....	209	10.11 • Installation of the brackets in the upper beam - unfinished.....	262
8.4 • Installation of Casco brackets	211	10.12 • Installation of the front brackets to the aluminium supports	263
8.5 • Installation of the vapor barrier	213	10.13 • Installation of the aluminium support profile at the bottom of the wall.....	263
8.6 • Installation of the front brackets to the aluminium supports.....	215	10.14 • Installation of the Casco supporting profiles.....	263
8.7 • Installation of the aluminium support profile at the bottom of the wall.....	216	10.15 • Installation of the ventilation profile	263
8.8 • Installation of the Casco supporting profiles	217	10.16 • Installation of the wooden cladding.....	264
8.9 • Installation of the ventilation profile.....	218	11 • Loggia	265
8.10 • Installation of the wooden cladding	219	11.1 • Loggia sliding panels.....	265
9 • Fixed wall with door - Linarte	220	11.2 • Loggia folding panels	274
9.1 • Installation of the column cover plates	221	11.3 • Loggia fixed panels.....	287
9.2 • Determining the position of the door	222	12 • Glass sliding panels	291
9.3 • Installation of the door frame	223	12.1 • Installation of bottom rail	291
9.4 • Installation of the door frames	225	12.2 • Installation of glass panels	293
9.5 • Installation of the support posts on the door frames.....	228	12.3 • Fitting the lift out protection (with optional lock).....	296
9.6 • Installation of the door lock	231	12.4 • Fitting the vertical profiles.....	299
9.7 • Installation of unfinished brackets between the support posts.....	232	12.5 • Fitting the stoppers.....	301
9.8 • Installation of the plinth(s)	234	13 • Curtains	303
9.9 • Installation of the vapor barrier	236	13.1 • Fitting the guiding channels in the rail.....	303
9.10 • Installation of the Linarte support profile.....	238	13.2 • Fitting the stoppers at both ends of the rail.....	303
9.11 • Installation of the brackets above the Linarte door opening	239	13.3 • Position of the rail on the beam.....	304
9.12 • Installation of the Linarte supporting profiles.....	241		
9.13 • Installation of the Linarte profiles	242		
9.14 • Finishing the Linarte door.....	249		

- 13.4 • Fitting the rail..... 305
- 13.5 • Fixing the curtain to the rail..... 306
 - 13.5.1 • Preparation..... 306
 - 13.5.2 • Fixing the curtain..... 307
 - 13.5.3 • Maintenance instructions..... 307
- COMFORT LIGHTING..... 308**
- 14 • Spot lighting..... 309**
 - 14.1 • Wiring in the rail 310
 - 14.2 • Connecting wiring to the spotlights 318
 - 14.3 • Connecting spotlights to control unit..... 321
 - 14.4 • Use the tool to remove the cable from the rail 324
 - 14.5 • Setting the spot lighting 326
 - 14.5.1 • Setting the spot lighting..... 326
 - 14.5.2 • Setting the Situo Variation io remote control to user MODE 2 328
 - 14.5.3 • Returning the LED lighting to factory settings 329
- 15 • Ambient roof LED..... 331**
 - 15.1 • Position in the canopy 331
 - 15.2 • Connecting wiring..... 331
 - 15.3 • Fitting the finishing profile over the cable 332
 - 15.4 • Interconnecting cables 334
- 16 • LED beam fixed roof 335**
 - 16.1 • Determining the position of the LED beam..... 335
 - 16.2 • Using the jig provided to drill holes 335
 - 16.3 • Installation of wiring 337
 - 16.4 • Fitting the corner piece..... 340
 - 16.5 • Installation of LED beam 341
 - 16.6 • Connecting the control unit..... 343

- COMFORT AUTOMATION..... 344**
- 17 • Power socket..... 345**
- 18 • Sensors..... 346**
 - 18.1 • Mounting the rain sensor 346
 - 18.2 • Installing the wind sensor 348
- CONSTRUCTION FINISHING 350**
- 19 • Finishing 351**
 - 19.1 • Installation of top covers..... 351
 - 19.2 • Installation of upper corner caps 353
 - 19.3 • Water test 2: checking the nodes..... 356

INTRODUCTION

1 • Amani general

1.1 • Introduction

Renson® Amani

First read this manual carefully before you begin. The installation of the RENSON® Amani should be done by a specialist. RENSON® reserves the right to make technical changes to its products without prior notice.

Symbols



First read this manual carefully before you begin.



In accordance with essential applicable safety standards of European directives.

1.2 • Important safety and assembly instructions

1.2.1 • Opening the packaging

- The system is well packed to protect it during storage and transport.
- Always store in a dry place at normal temperature.
- Transport and handle the system carefully.
- Check the packaging for signs of major damage.
- Open the packaging carefully.
- If using sharp objects, be careful not to damage the paint.
- Remove the system carefully from the packaging.

1.2.2 • Installing the system

- See installation instructions. Amani® must be installed as described in the installation manual.
- Before you begin the assembly, check whether all parts are undamaged and all materials are present.
- Ensure that you have understood the instruction manual before you start the assembly.

- It is recommended that the assembly is done by at least 2 persons using an assembly lift.
- It is recommended that the assembly is done by at least 2 persons using an assembly lift.
- We recommend that at least two people assemble the product. We also recommend using a material lift.
- Installers must be both mentally and physically fit to carry out the installation; they must also always abide by all safety regulations.
- Check all attachment walls for gas pipes, water pipes or electrical wiring to prevent damage.
- Keep children, pets and other unauthorised personnel at a distance!
- Ensure that no person or obstacle can interrupt a moving screen covering. Moving parts (such as a screen covering) could pose a danger.
- Do not place fingers in a lateral guide while the screen covering is moving.
- Faulty installations or irregularities in the installation could have serious consequences when using the product.
- Only use the components delivered by the RENSON® company with your product; otherwise, the guarantee terms and conditions could be nullified.
- Any change to the product, by the customer or installer, can result in the warranty lapsing.
- All fixing elements for walls/floors are not included. These must be stipulated by the installer because these depend on the material to which it will be affixed.
- The wall, floor and fixing elements must be suitable to bear this terrace covering and to have it affixed to them under the weather conditions that the terrace covering is meant to withstand (see "wind class"). Contact a stability engineer in case of doubt/if necessary.
- Work safely and always wear the required personal protective equipment.
- Dispose of the packaging waste (e.g. sorting) according to local regulations.
- The sequence of installation can vary depending on the situation on site.
- Nothing may be attached either to the columns or to the lateral guides of the roof since this can be harmful to the proper operation of the product.
- Always take care when opening the cap on the box.
- Check the cables for damage at regular intervals.
- Be sure the structure is grounded properly.

1.2.3 • Electrical connections

See motor installation document.

1.2.4 • Starting

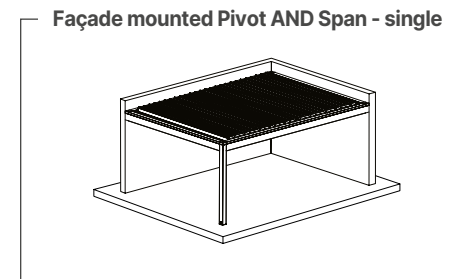
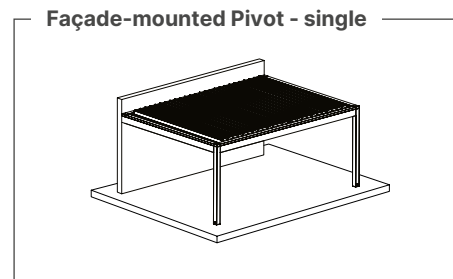
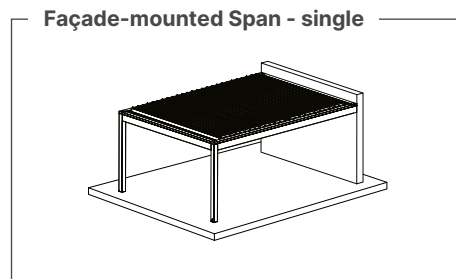
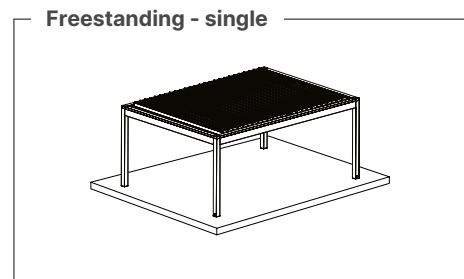
- Check that all items match the installation instructions.
- Check that the electrical connections are in good condition and that no cables can become entwined in the system (if applicable).
- In case of Fixscreens, fold the fabric in and out once (adjust the electric motor if necessary).

1.2.5 • Warranty

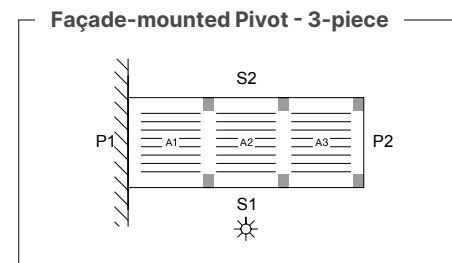
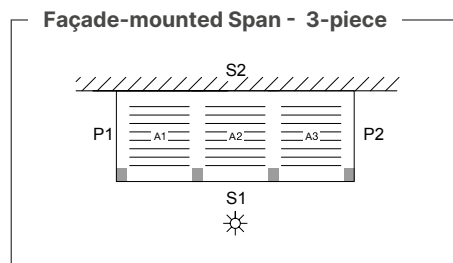
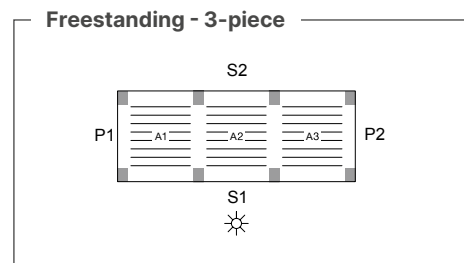
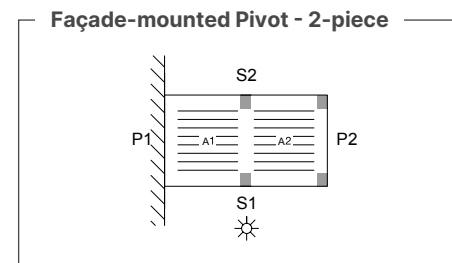
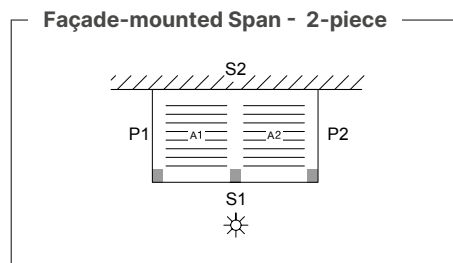
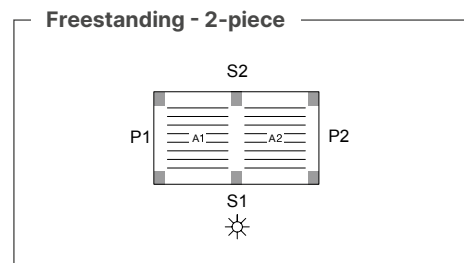
- Warranty conditions, see user manual.
- The guarantee period starts on the date of manufacture and refers only to the product itself, not to its installation.
- Please always quote the serial number when reporting problems.

1.3 • Installation types & dimensions

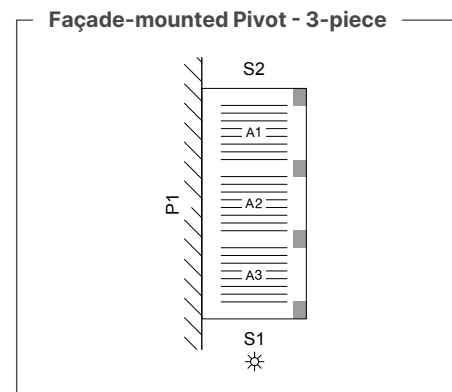
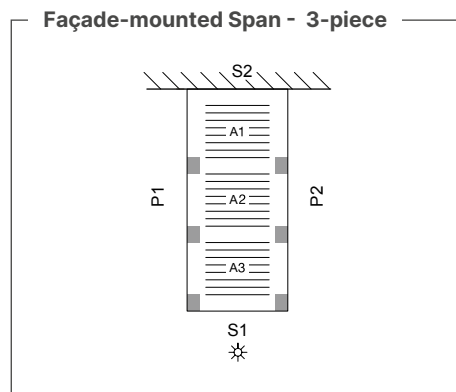
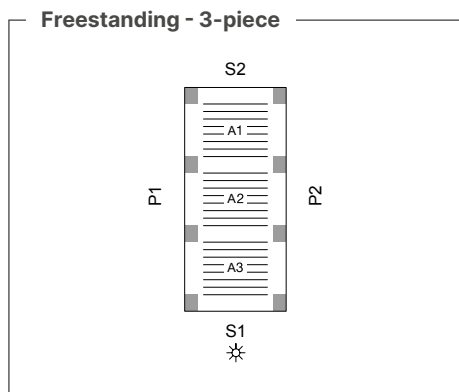
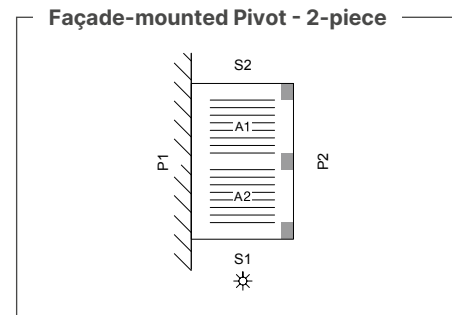
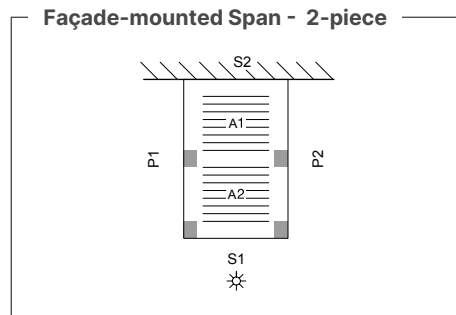
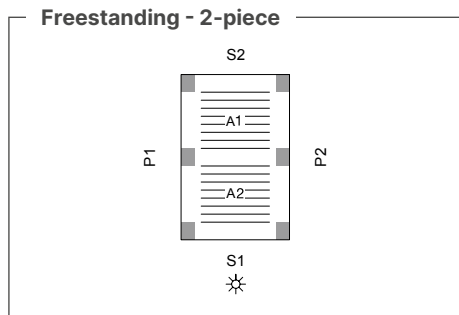
1.3.1 • Single building types



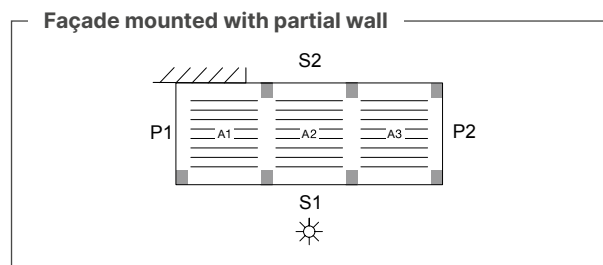
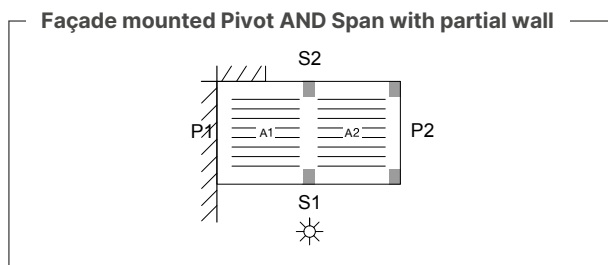
1.3.2 • Joined on the pivot side

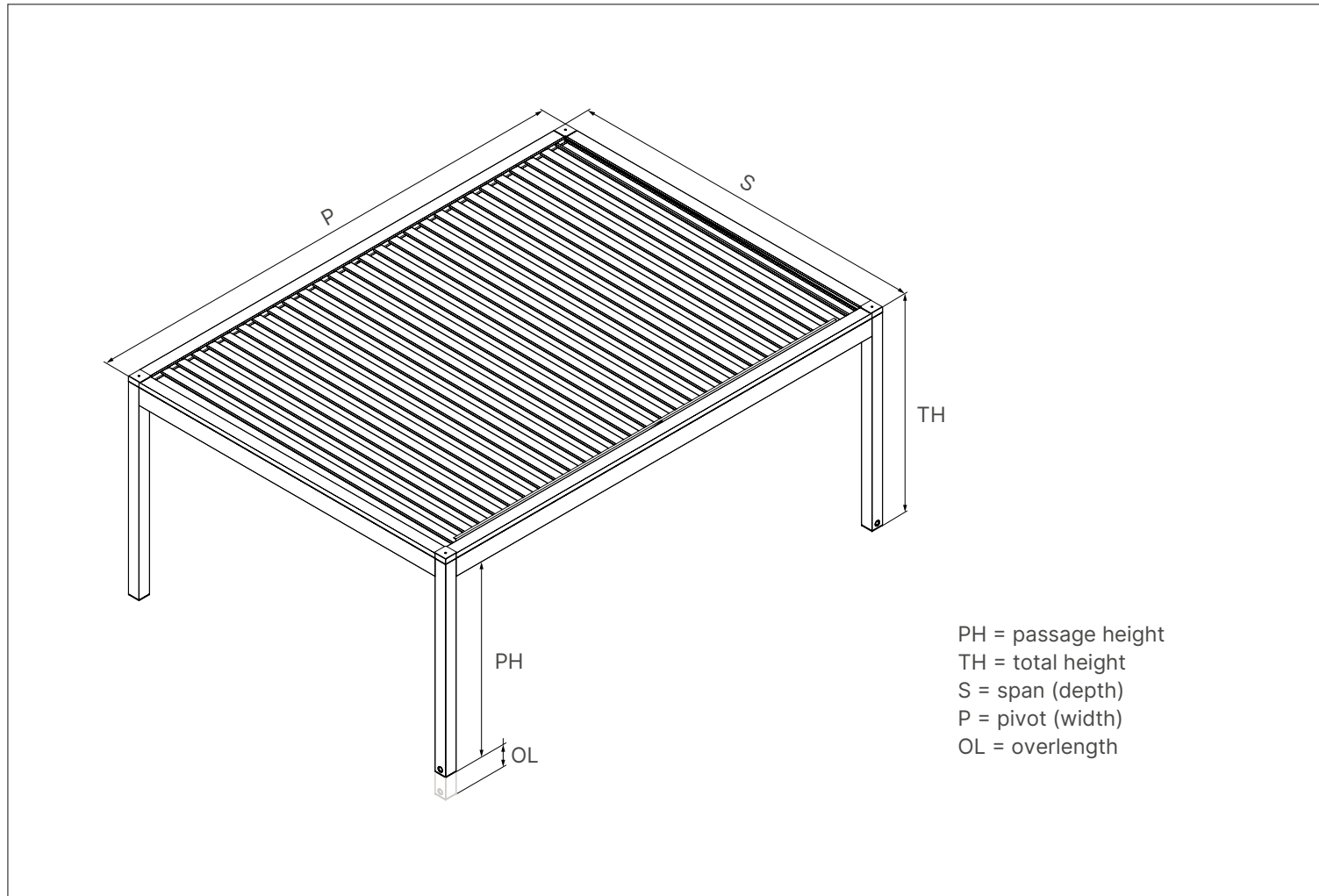


1.3.3 • Joined on the span side



1.3.4 • Facade mounted with partial wall





1.4 • Technical information

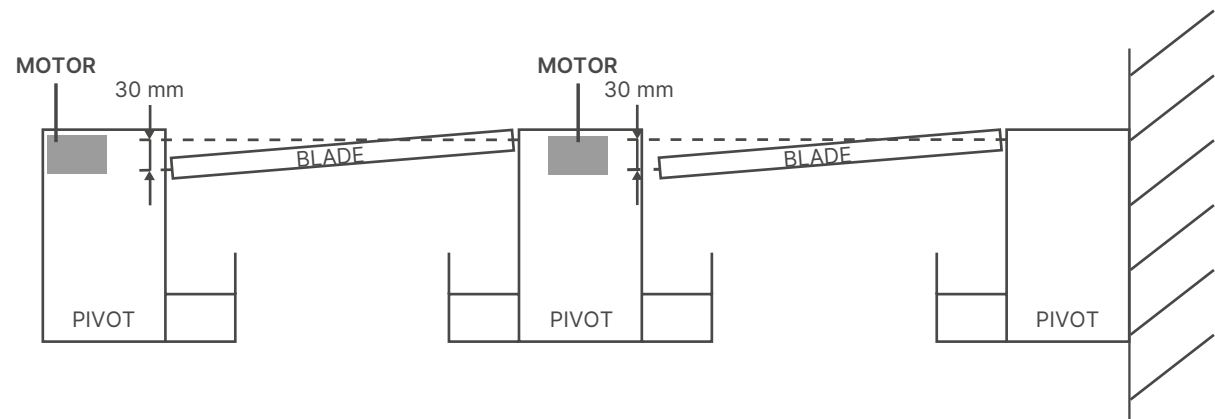
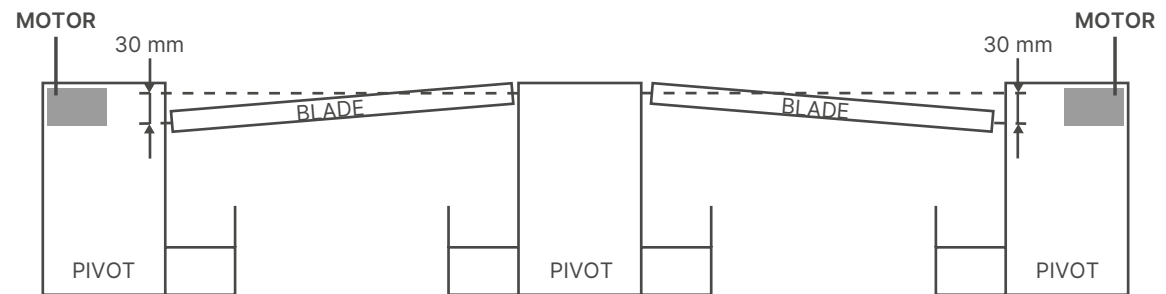
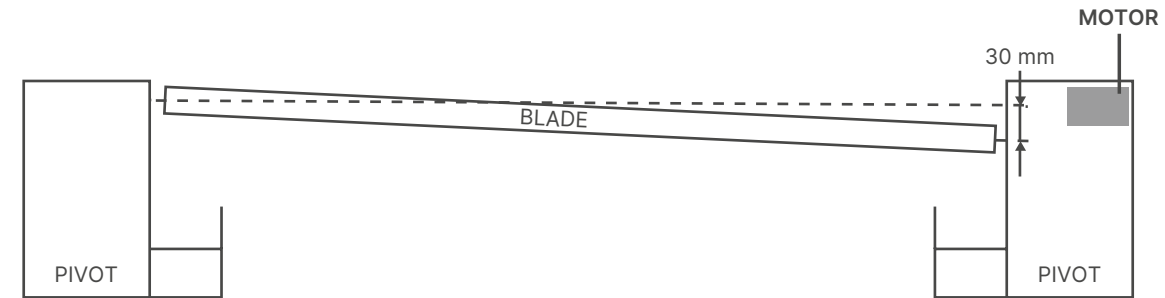
1.4.1 • Motor position

With Amani, the motor of the bladed roof is always provided on the lowest pivot side (so this is different from Camargue).

Having the motor on the lowest side ensures it remains easily accessible when the cover is wall-mounted.

The motor is installed centrally in the beam for efficient cable use.

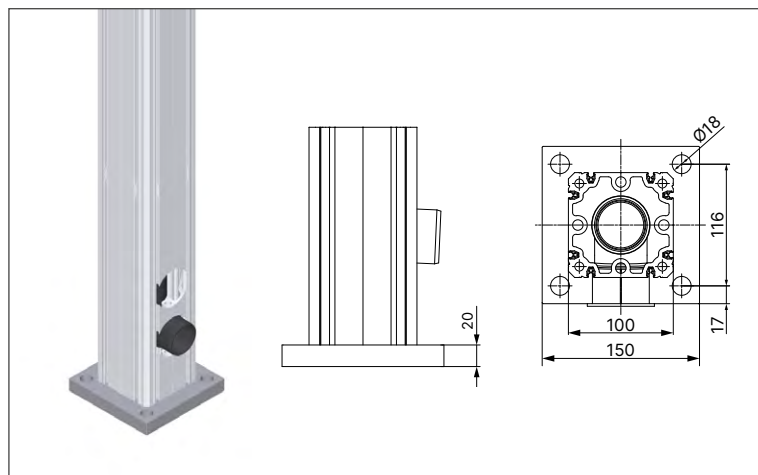
A coupling beam (on pivot side) can contain a maximum of one motor. This means that the motors can be placed at the following location (M = motor position):



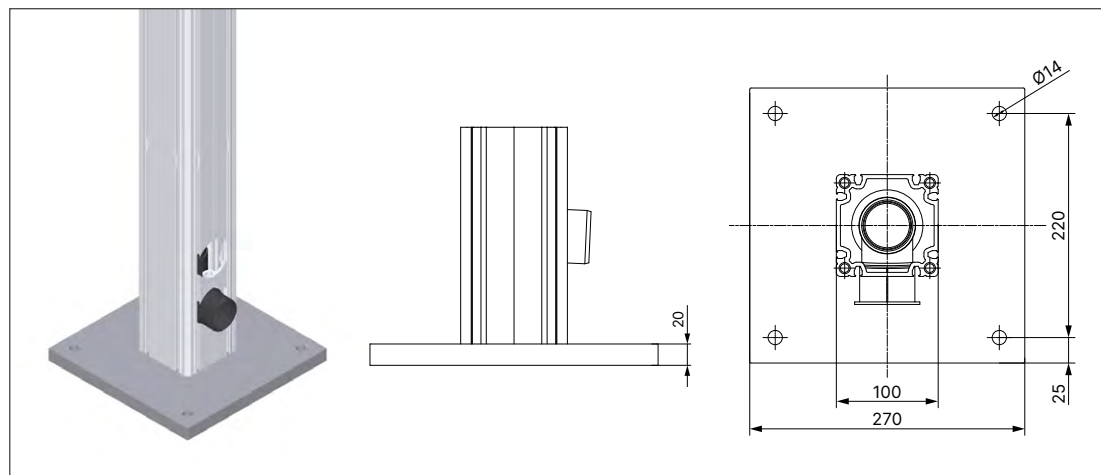
Throughout this manual, the motor is referred to by the symbol "M".

1.4.2 • Base plates

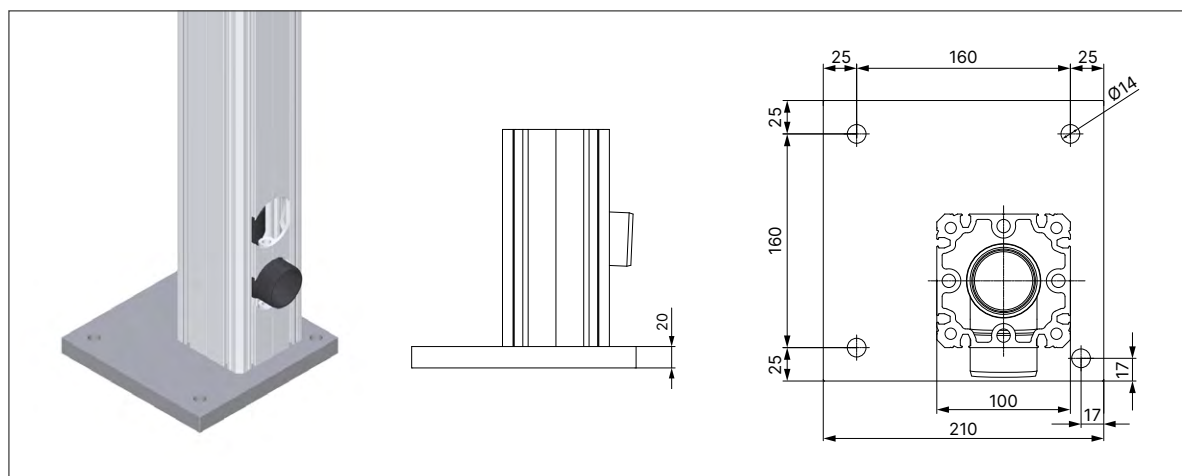
Invisible base plate



Visible base plate

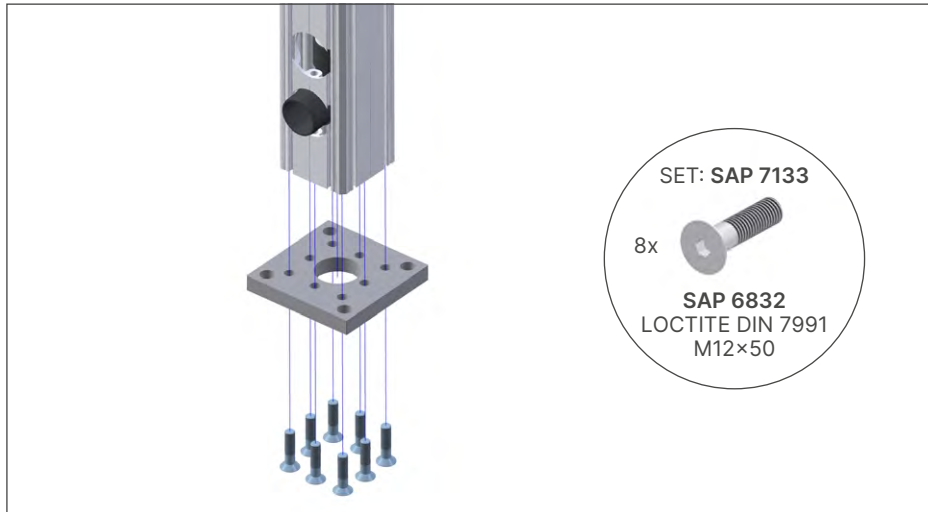


Visible base plate - corner

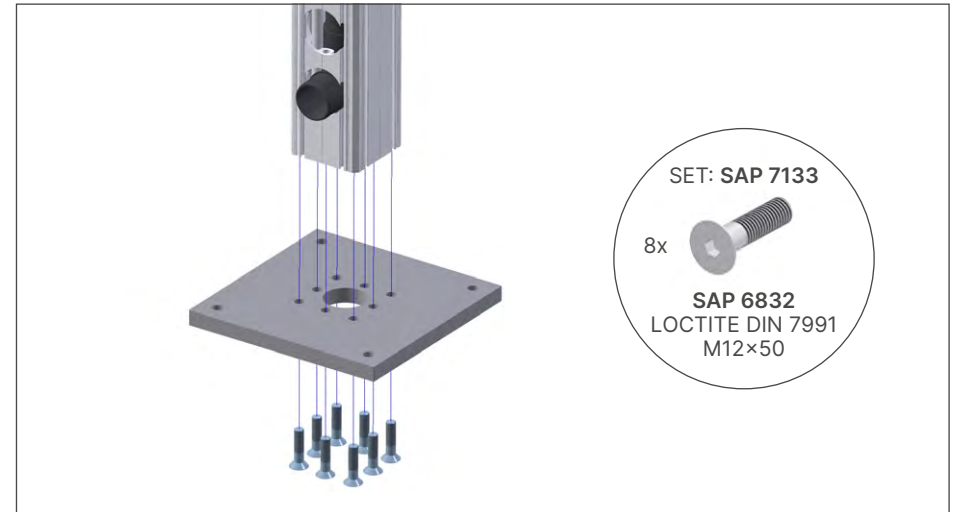


Fixing base plate to the column

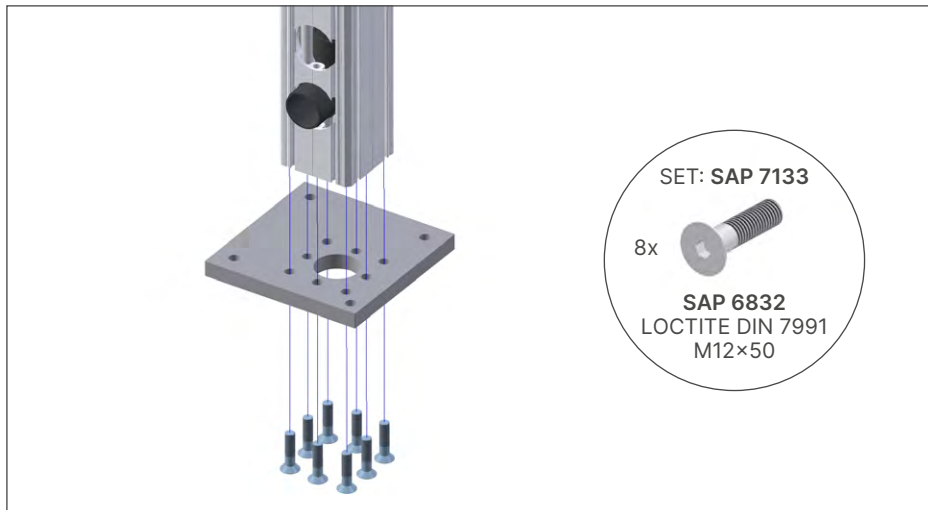
Invisible base plate



Visible base plate



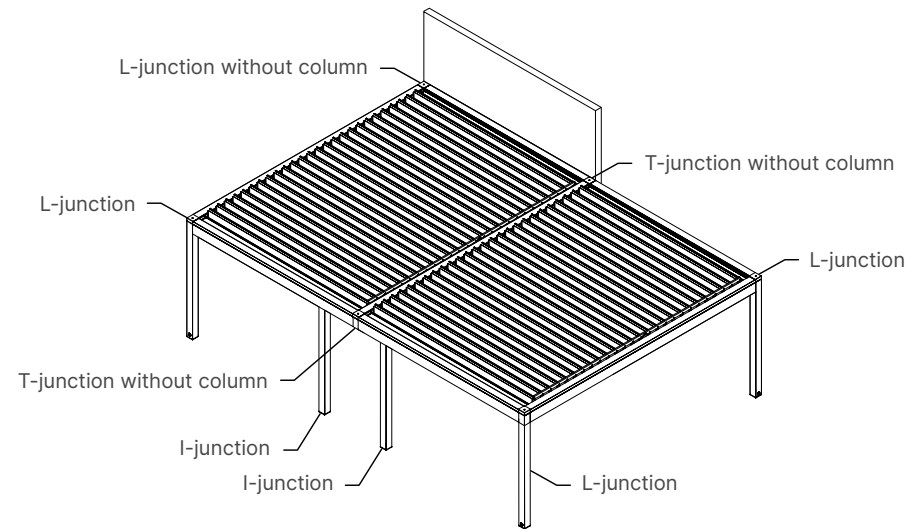
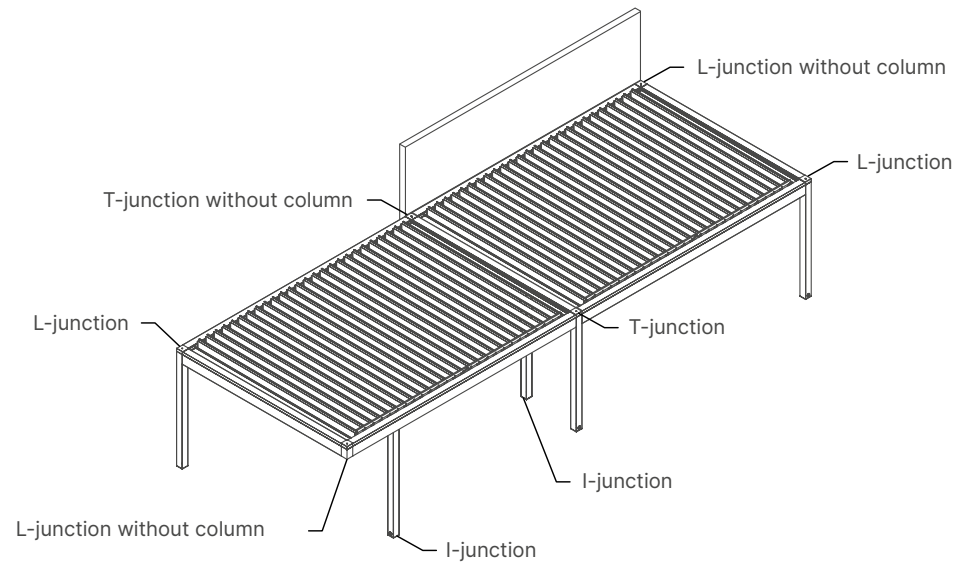
Visible base plate - corner



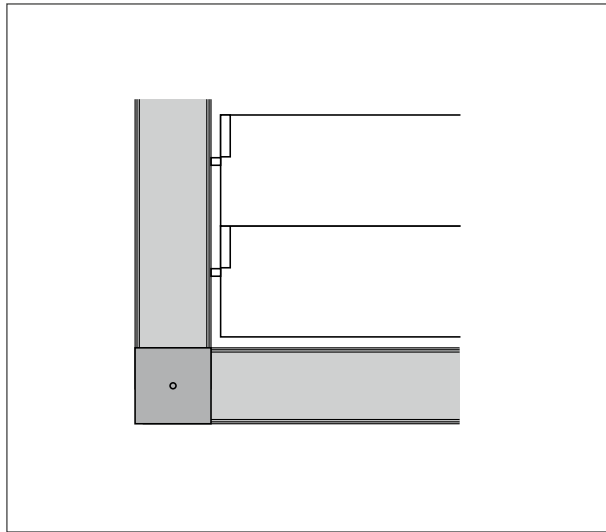
1.4.3 • Junctions

The possible building types are realised using 3 different types of junction.
A junction is a corner where frame profiles (span and pivot) are connected.

This overview describes all the connections that are possible with the Amani.

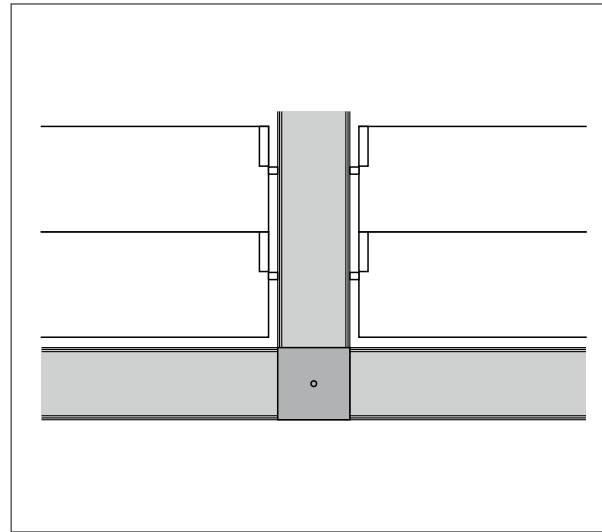


L-junction



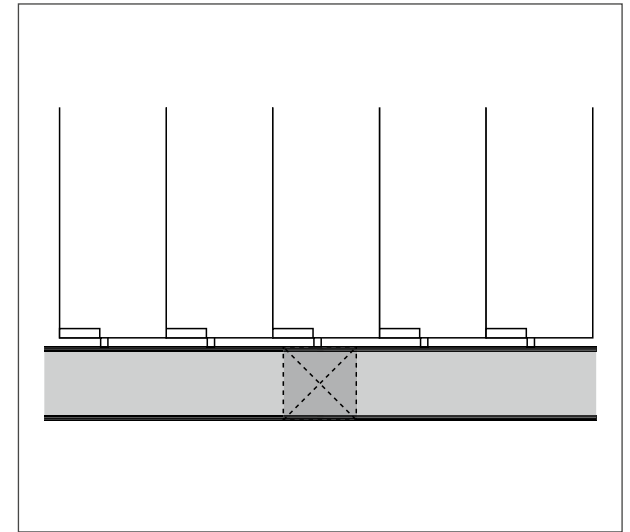
2 beams come together (indicated in drawing on previous page)

T-junction



3 beams come together. A T-junction is a mechanical connection of 3 frame profiles - two span profiles and one pivot coupling beam or vice versa. This occurs with linked building types. (indicated in drawing on previous page)

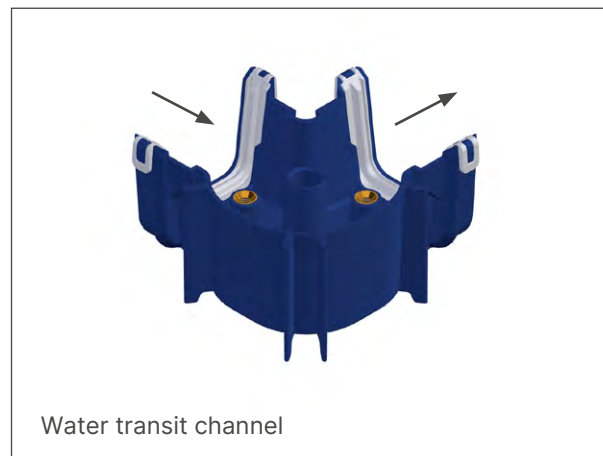
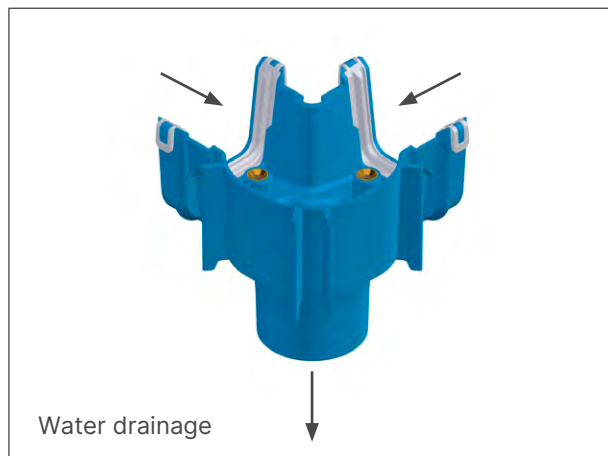
I-junction



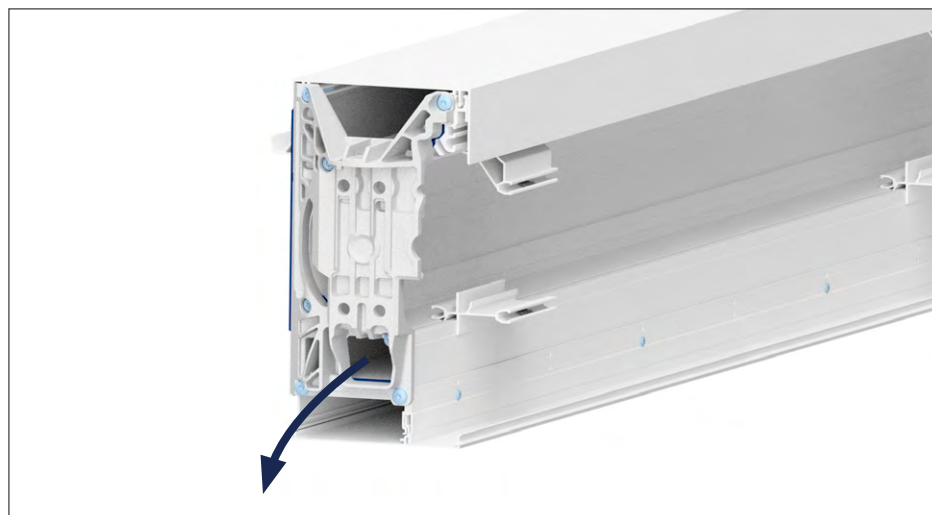
A beam is partially interrupted by an intermediate or shifted column. (indicated in drawing on previous page)

1.4.4 • Water drainage and water transit

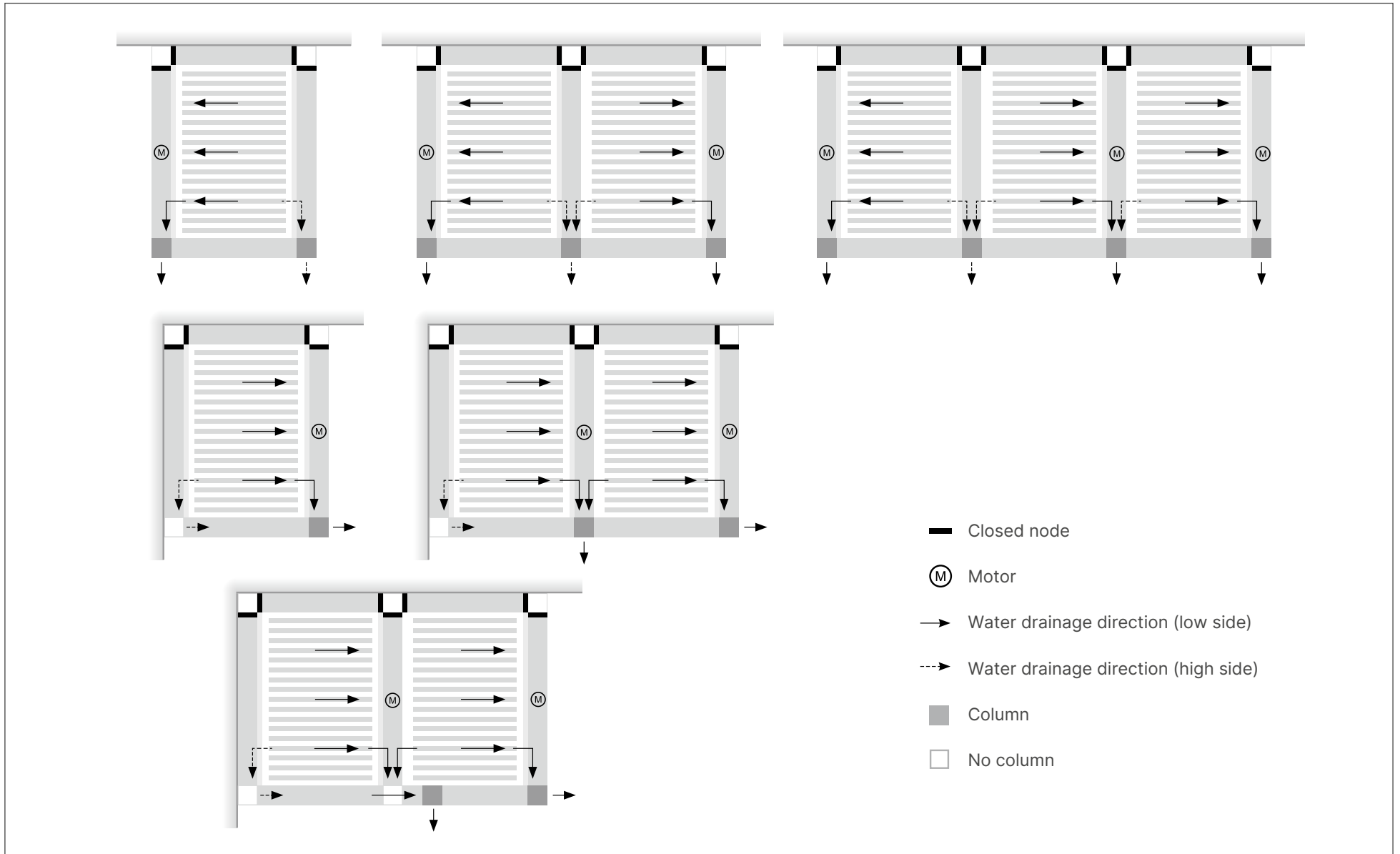
1.4.4.1 • In the junctions



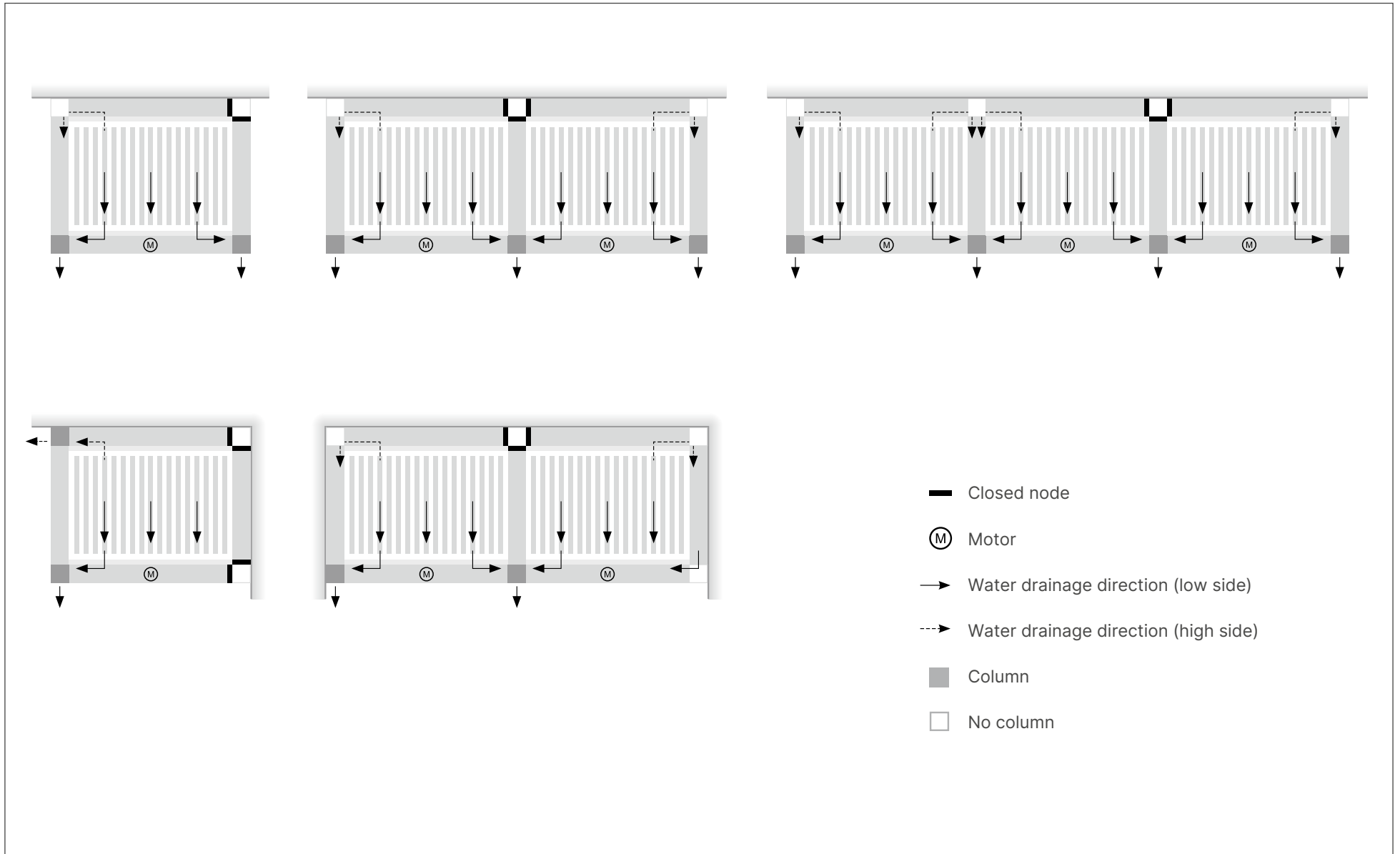
1.4.4.2 • In the beams



Span to the wall



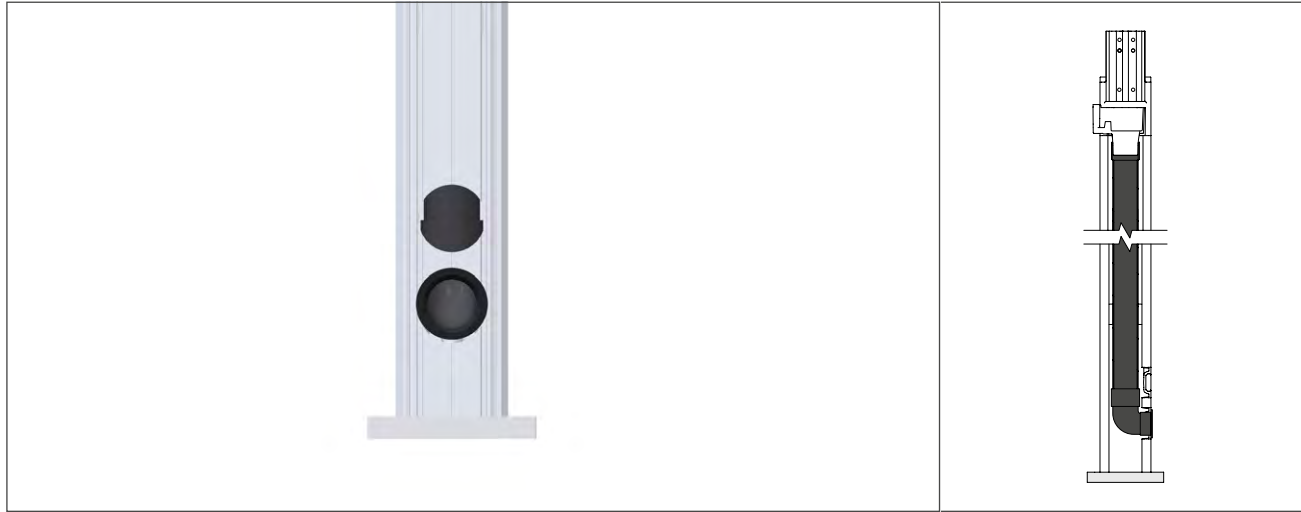
Pivot to the wall



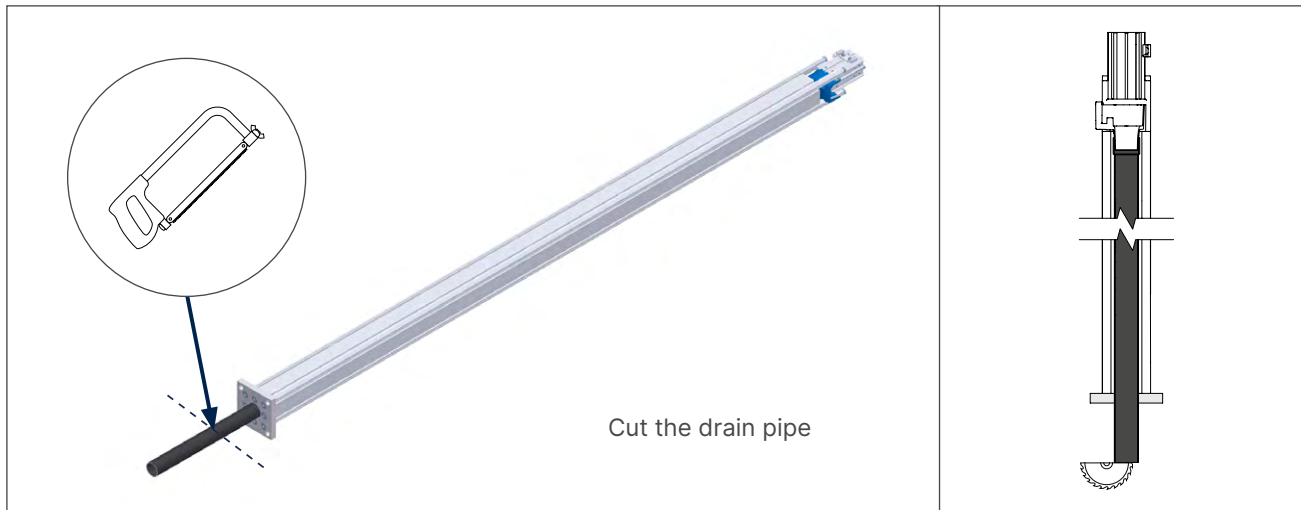
INTRODUCTION

1.4.4.3 • In the columns

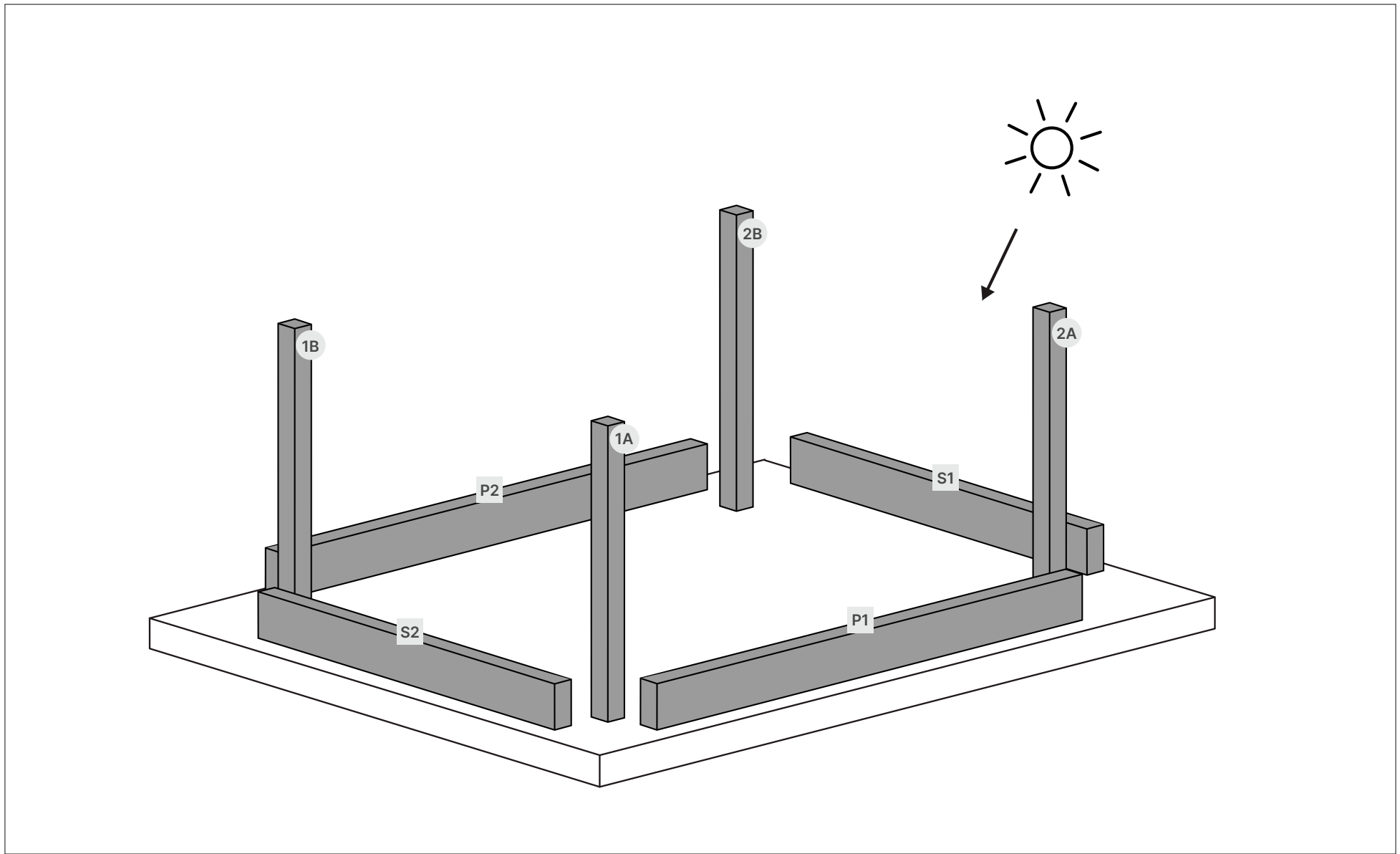
Sideways water drainage



Downward water drainage



1.4.5 • Orientation of structure



1.4.6 • Packaging

Open the crates as soon as you need them according to the order in the manual. For this, check the label on the box to see which part it contains.

These parts are always in a separate box:

- fieldbox electronics Amani = electronic components
- fieldbox components Amani = screws
- fieldbox components Amani = small coated components



CONSTRUCTION

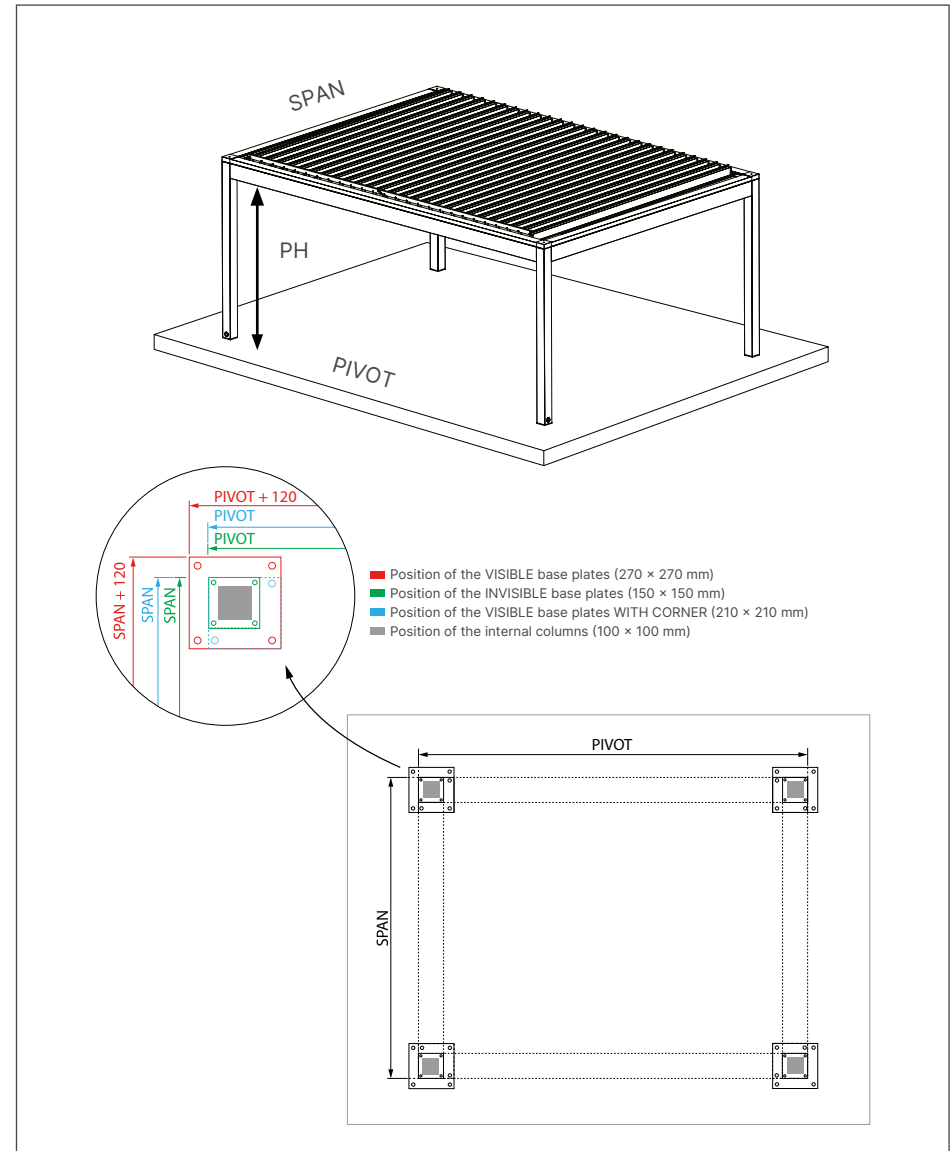
2 • Basic construction

2.1 • Freestanding type

Please refer to the drawing accompanying your order for the correct dimensions.

2.1.1 • Determine the position of the base plates

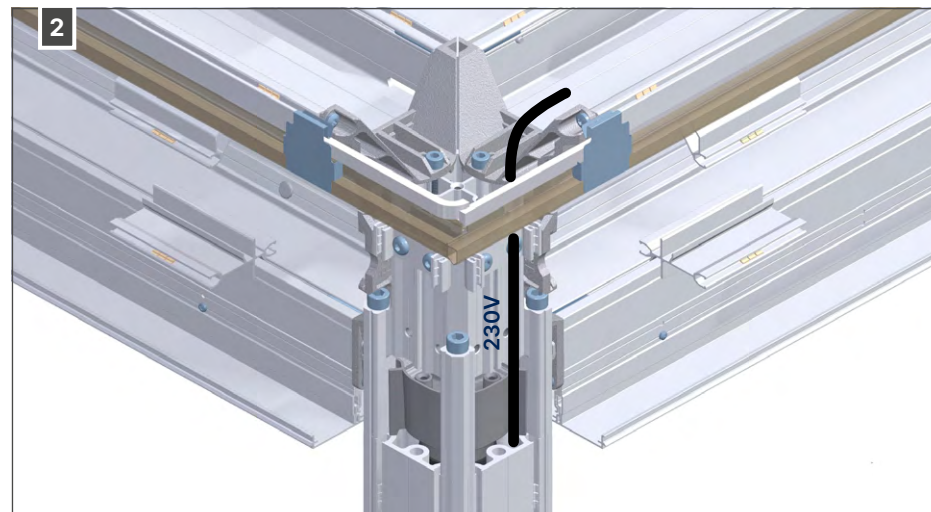
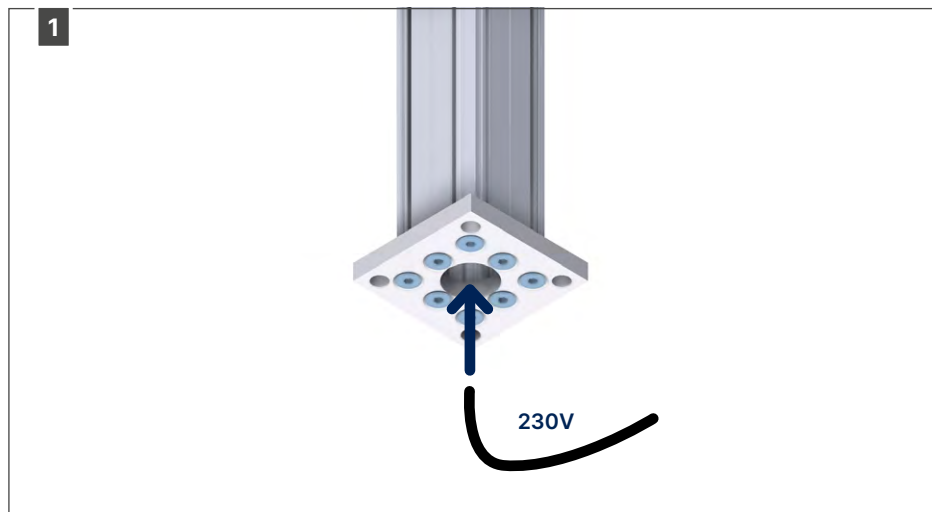
Determine the position of the Amani® and mark the Pivot & the Span.
 Mark where the mounting base(s) will be placed based on the type of base plates and construction.
 Provide a concrete foundation underneath the mounting bases. The volume should be determined according to the type of substrate.
 Refer to the drawings in the 'base plates' section for the different types.



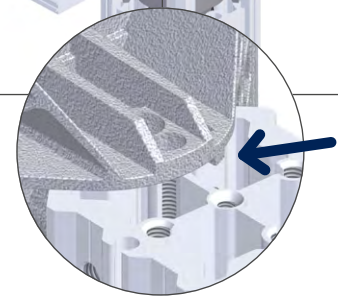
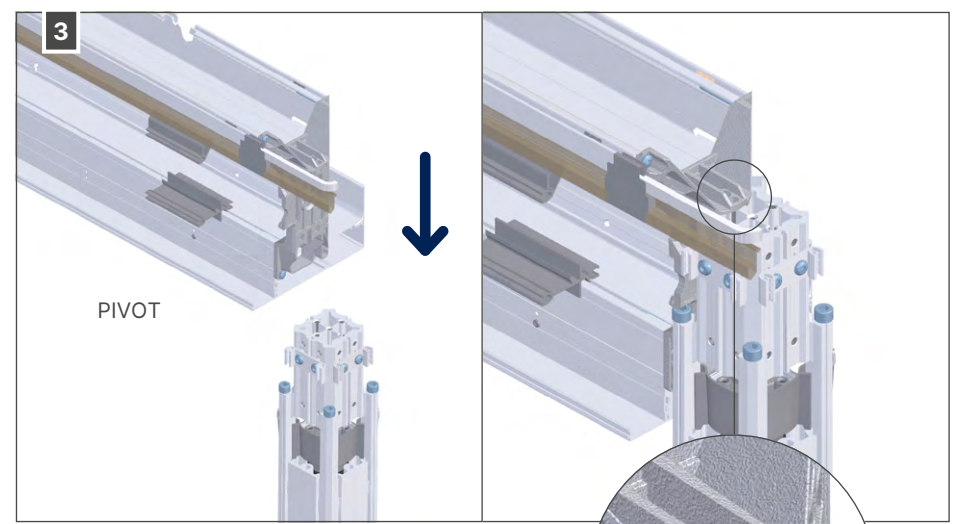
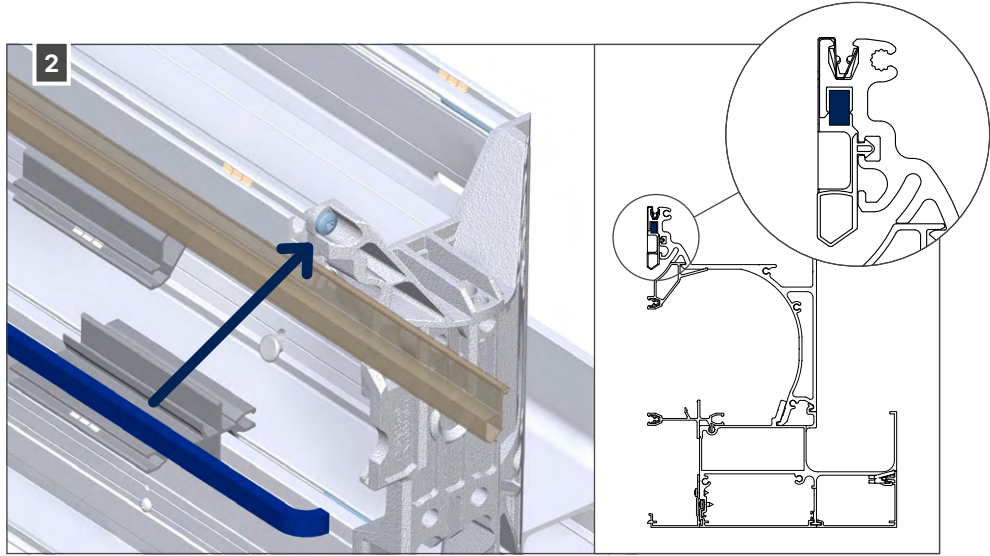
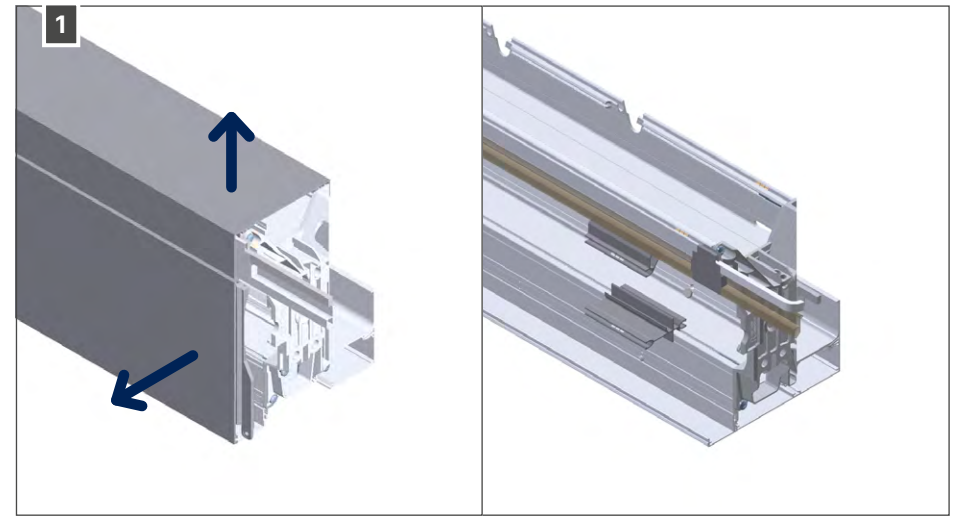
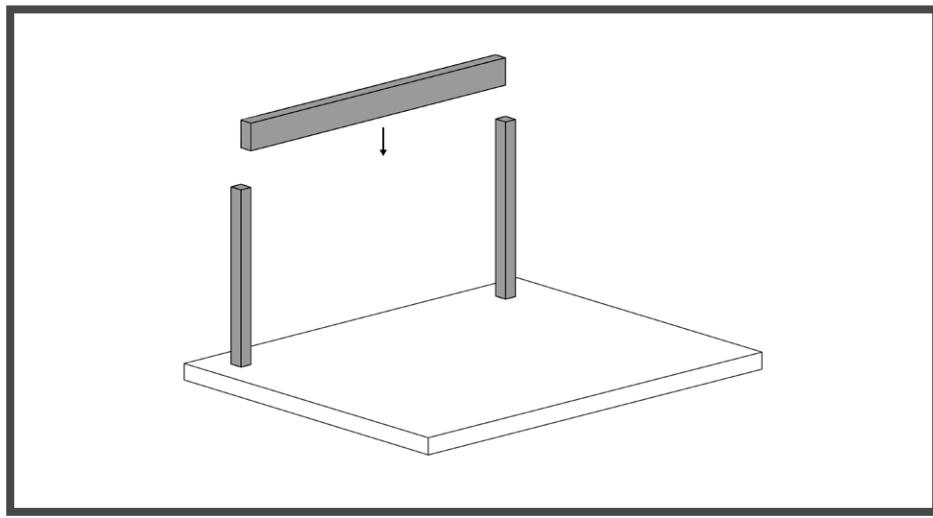
BASIC CONSTRUCTION

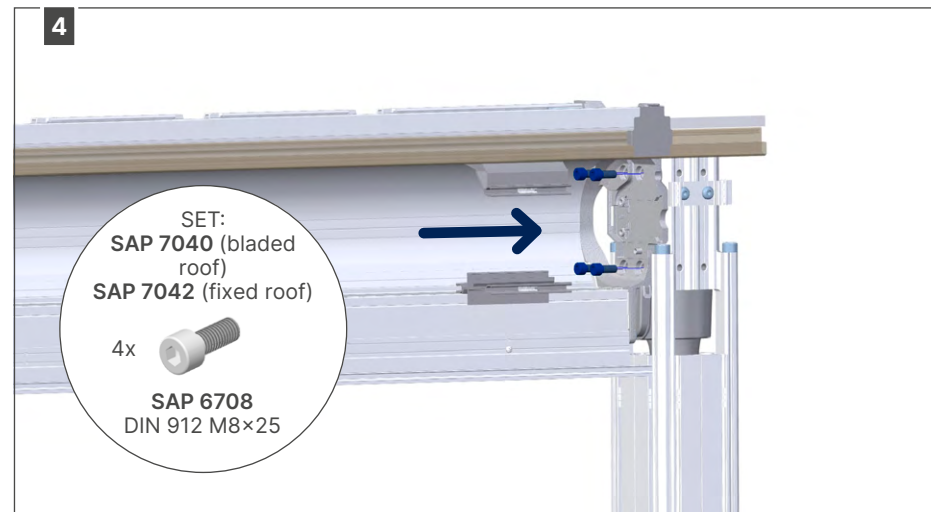
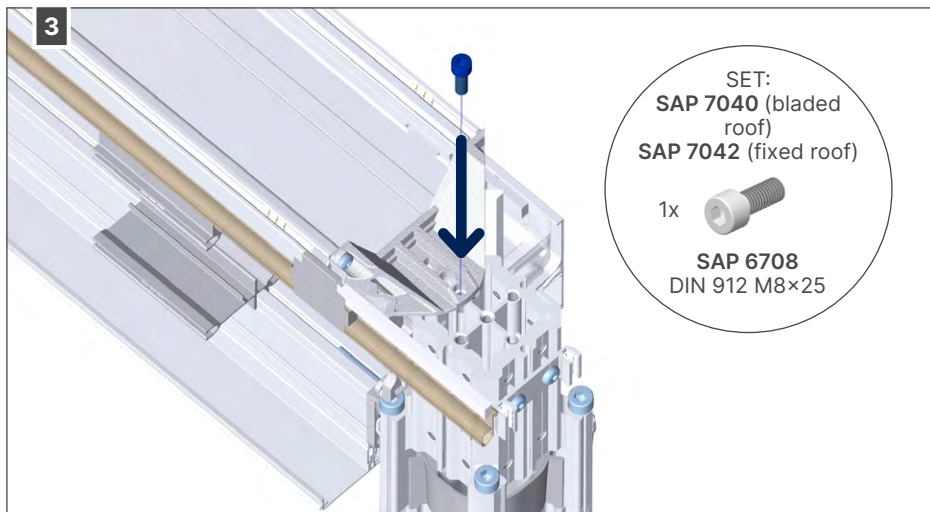
2.1.2 • Installation of the power cables

Provide the necessary power cables before installing the columns.
(Power cables for blades, Fixscreen, Lineo Heat, lighting, power socket)

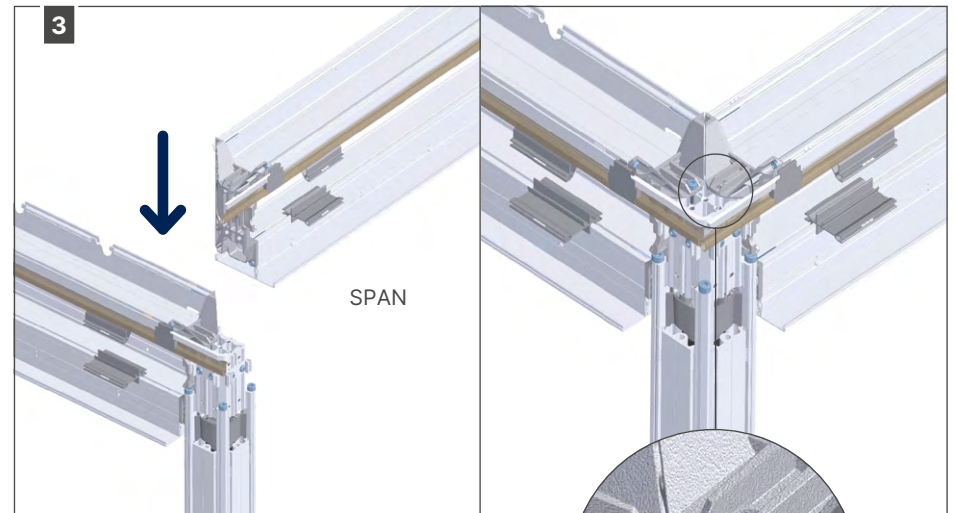
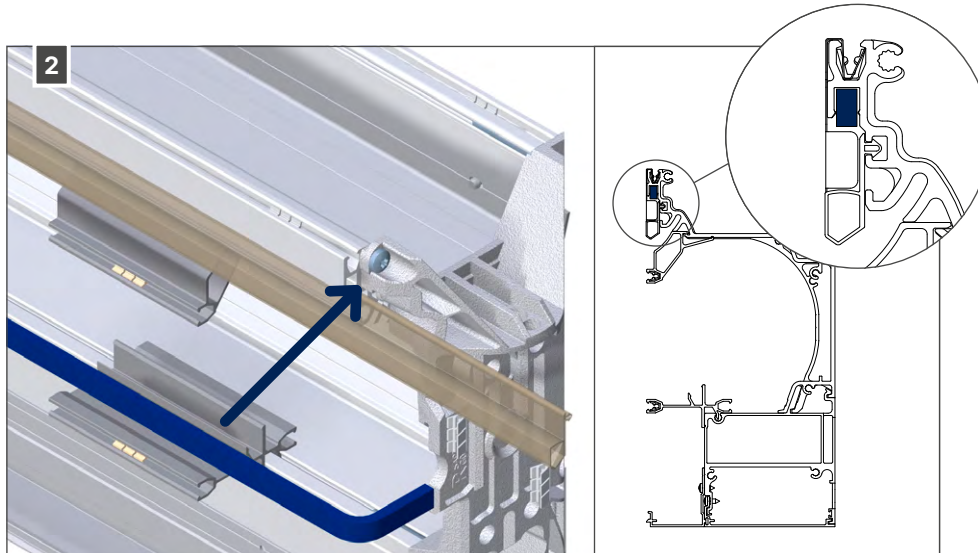
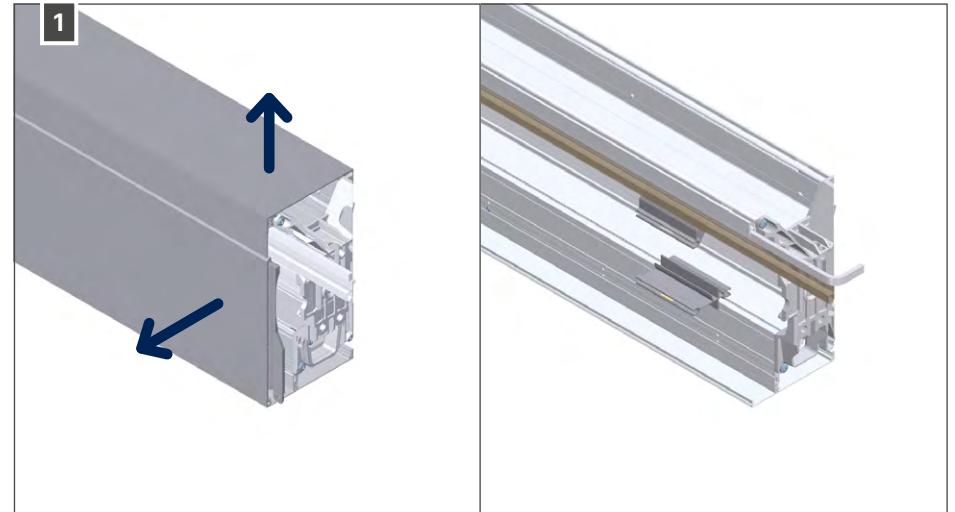
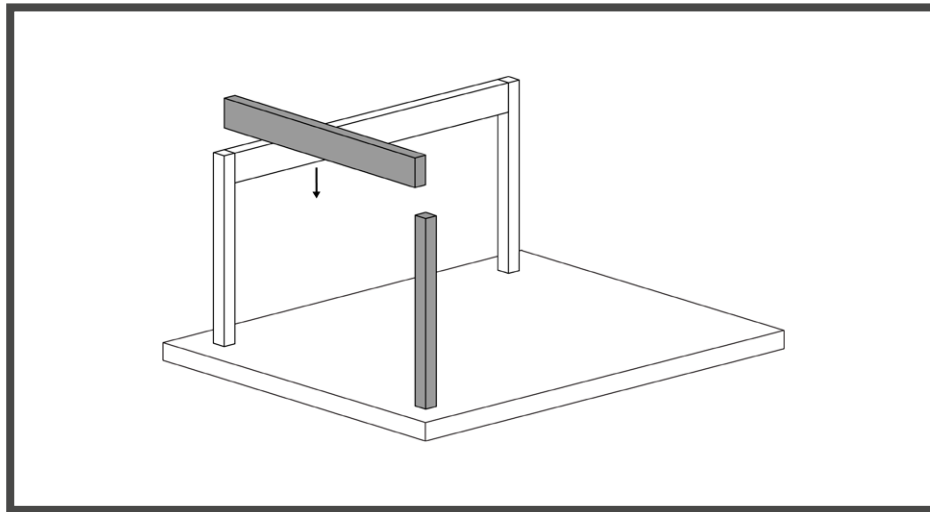


2.1.3 • L-junction with column (pivot)

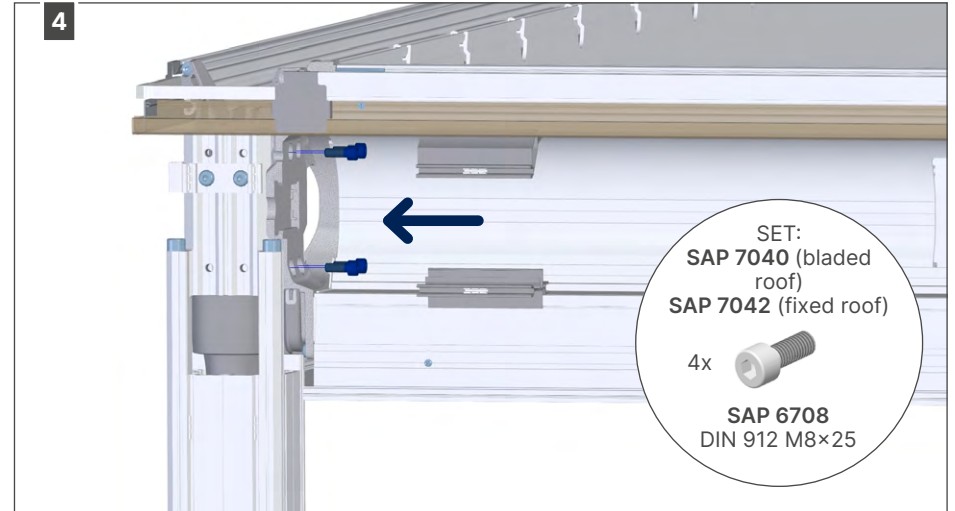
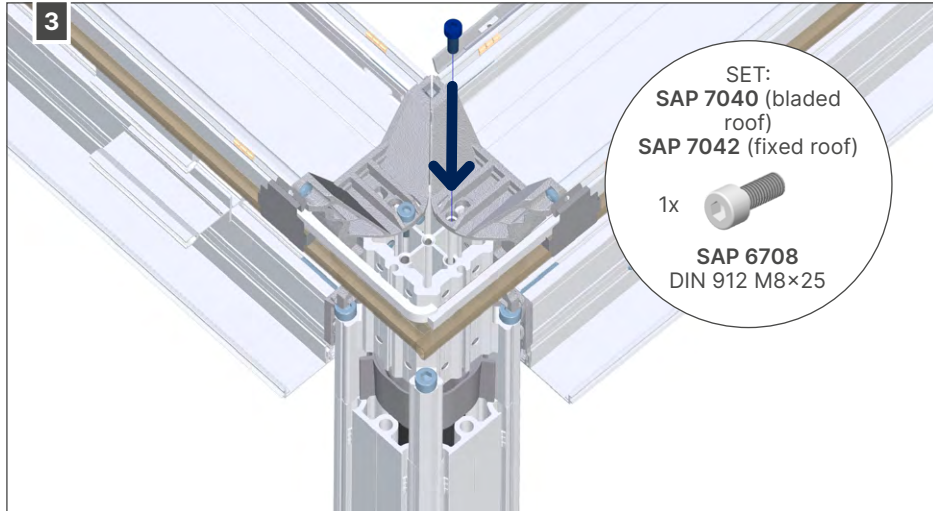




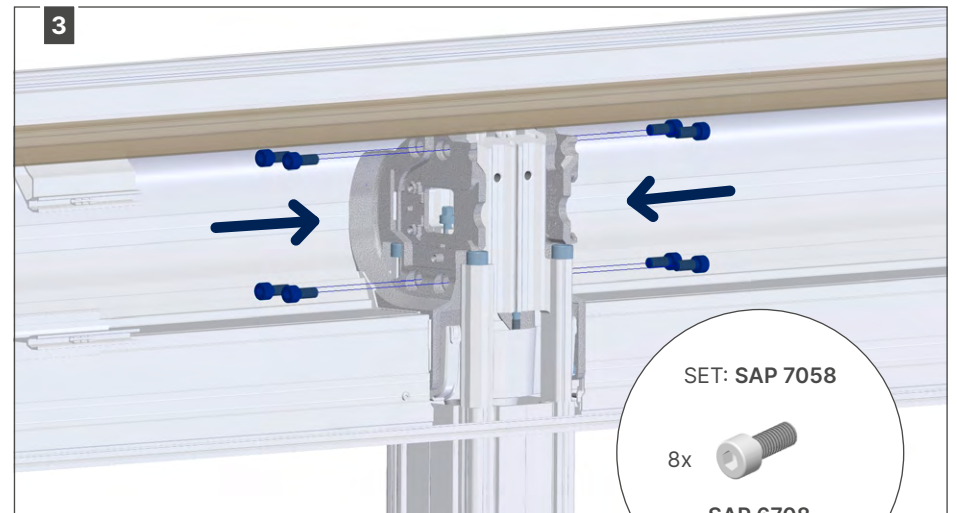
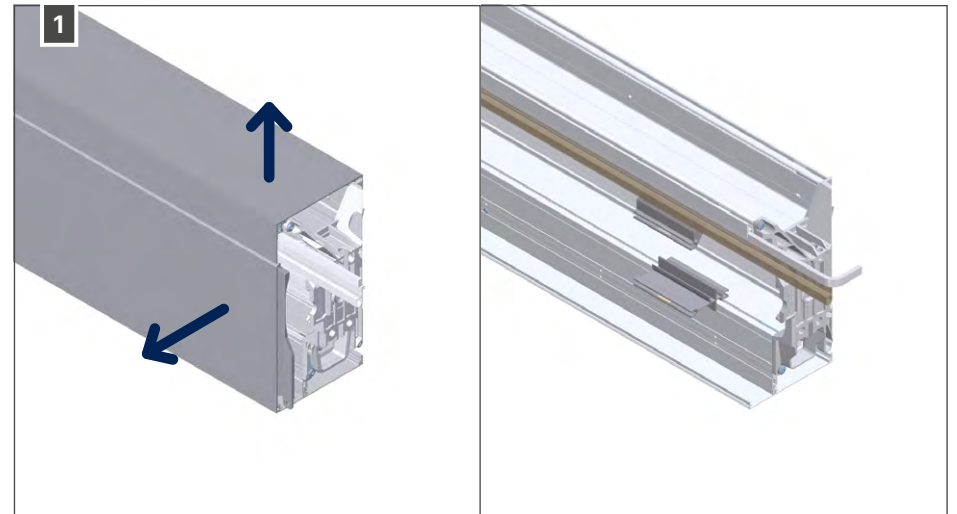
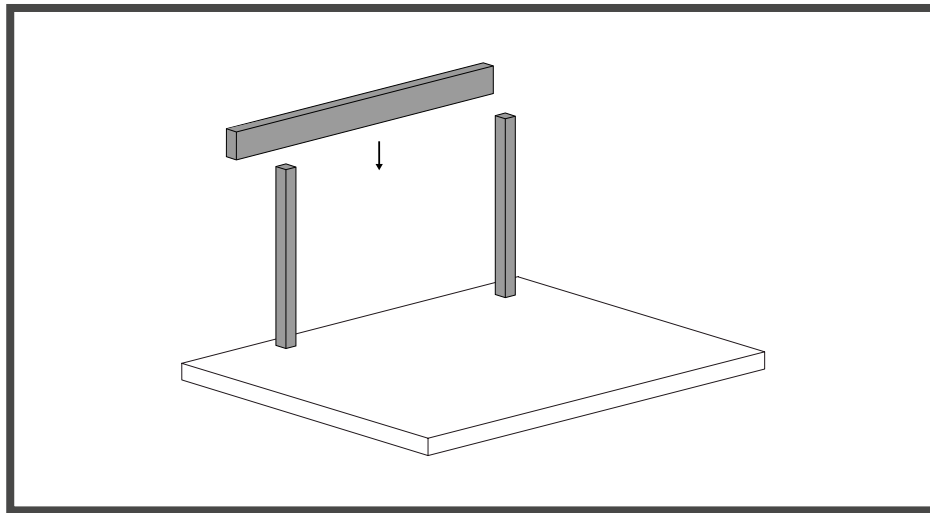
2.1.4 • L-junction with column (span)




BASIC CONSTRUCTION



2.1.5 • I-junction with column



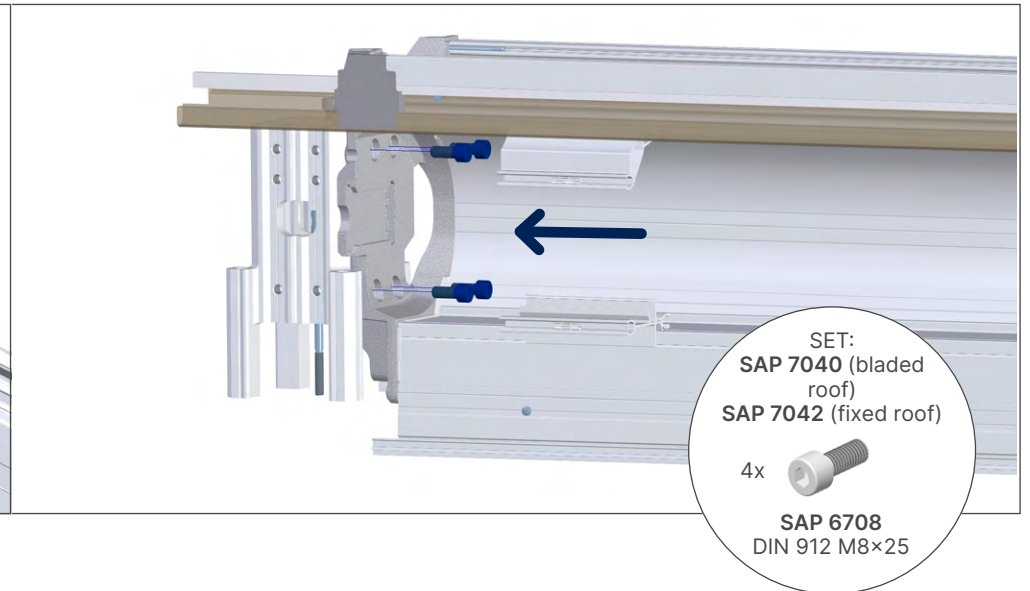
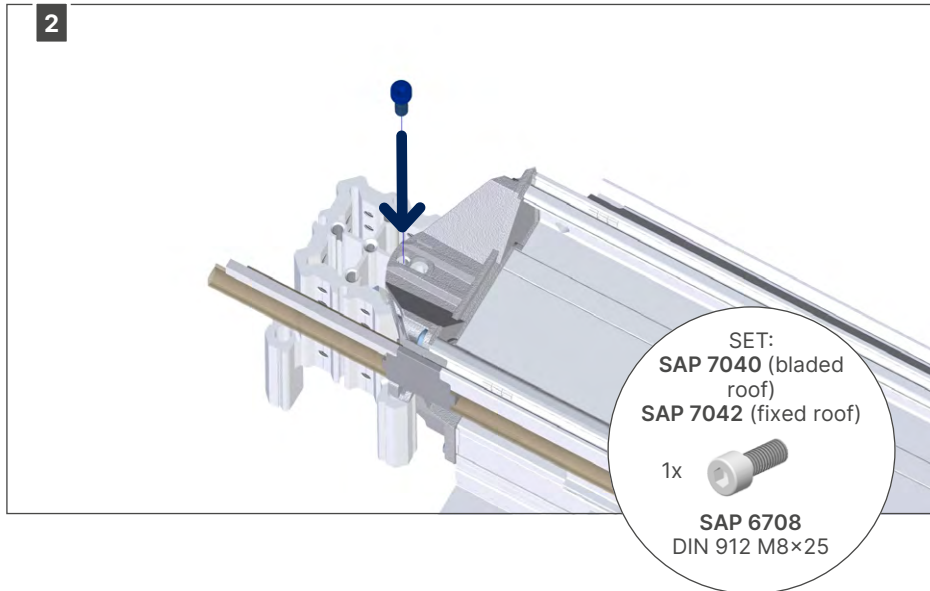
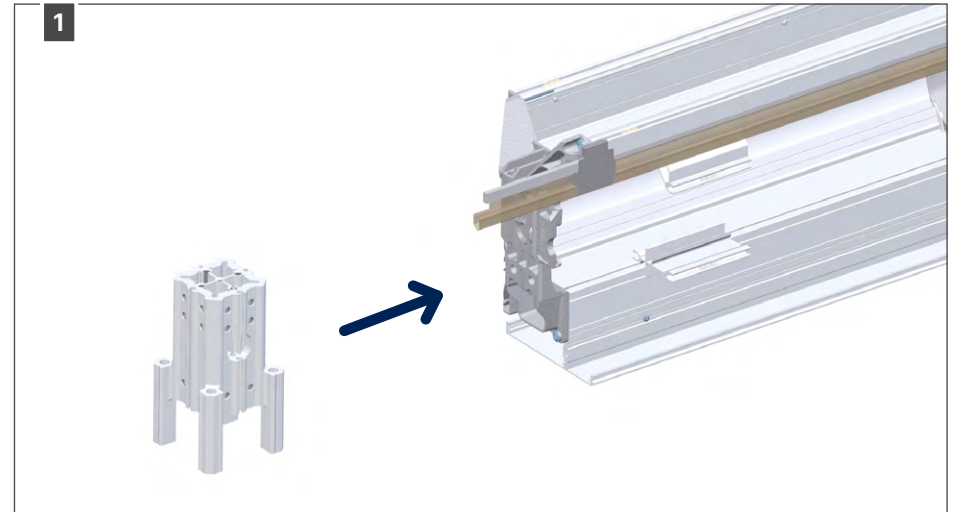
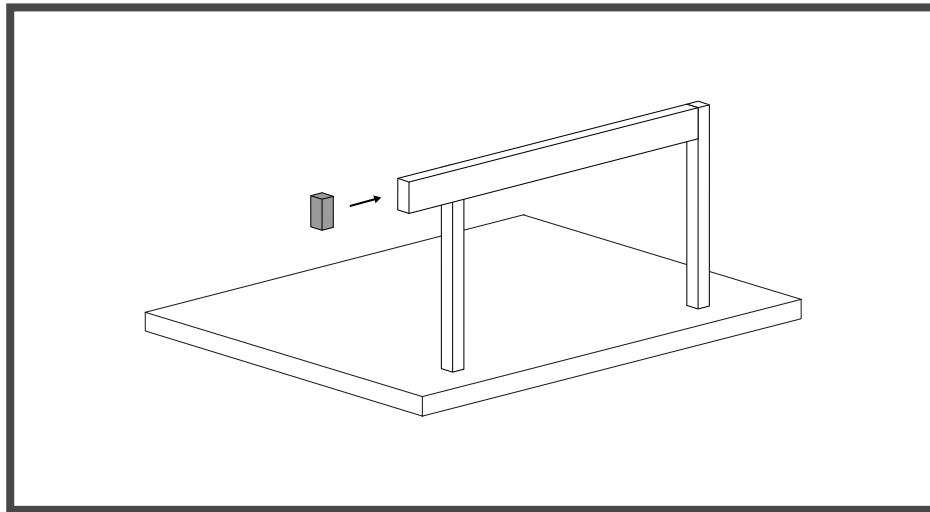
SET: SAP 7058

8x 

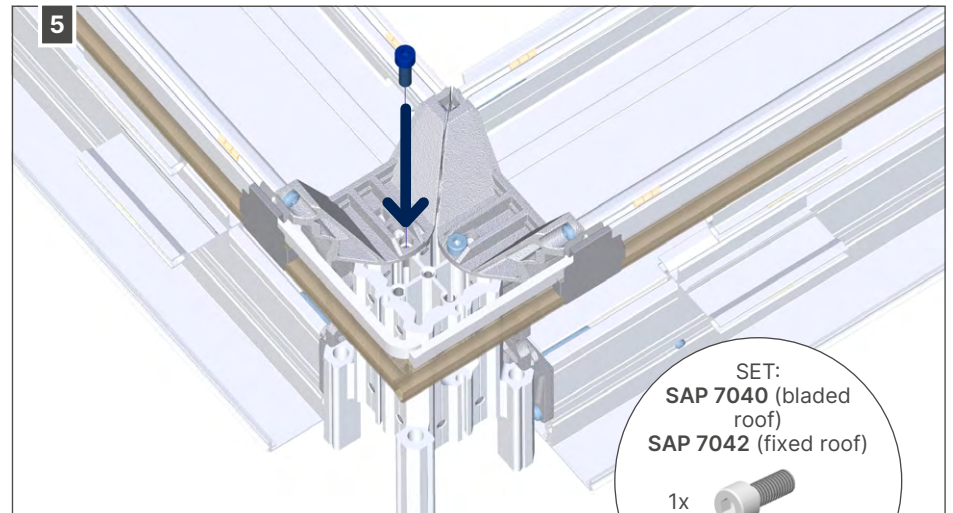
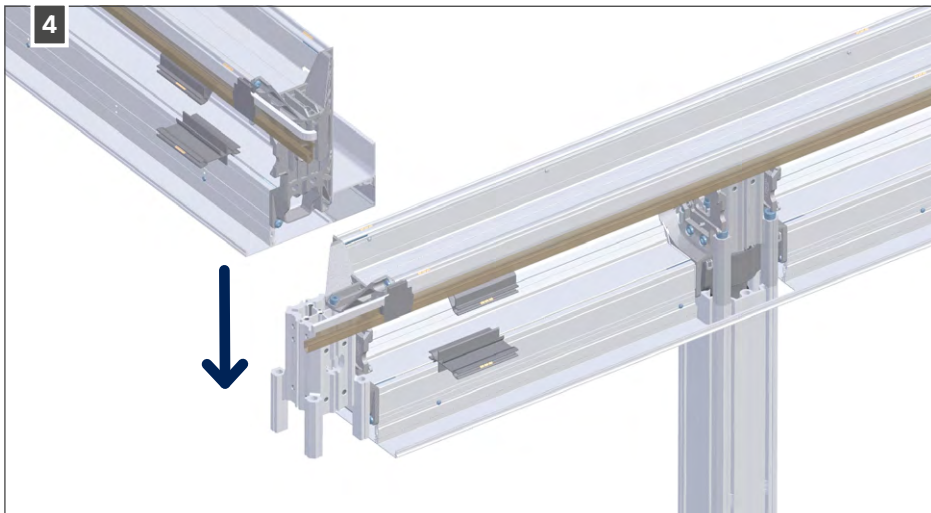
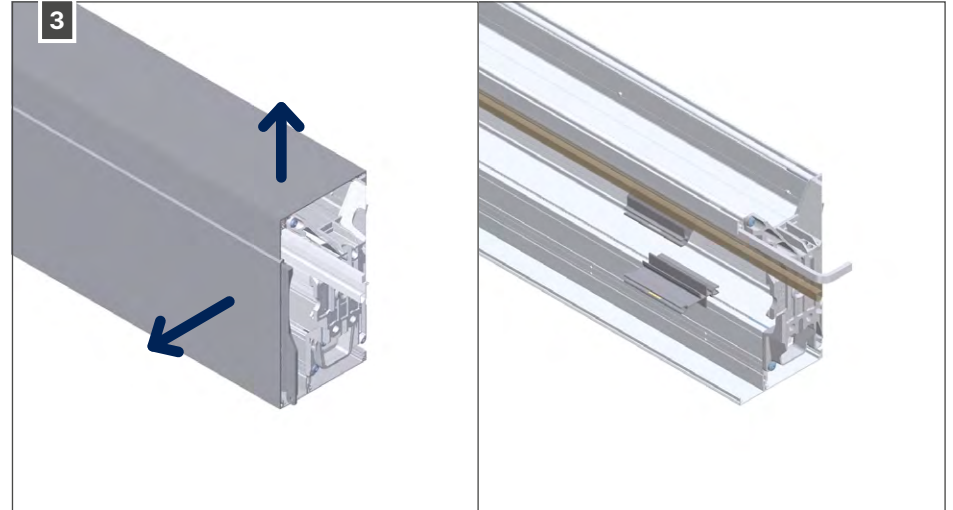
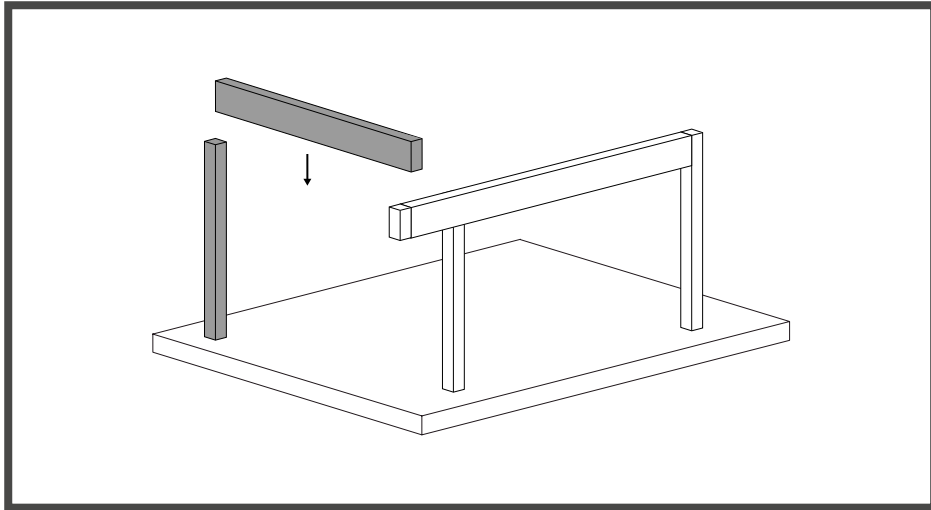
SAP 6708
DIN 912
M8x25


BASIC CONSTRUCTION

2.1.6 • L-junction without column

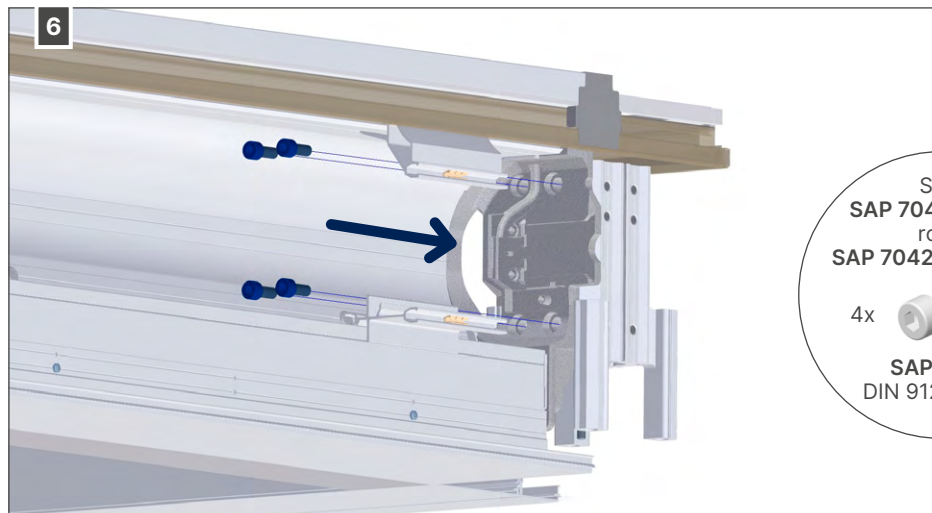


BASIC CONSTRUCTION




- SET:
SAP 7040 (bladed roof)
SAP 7042 (fixed roof)
- 1x 
SAP 6708
 DIN 912 M8×25

BASIC CONSTRUCTION



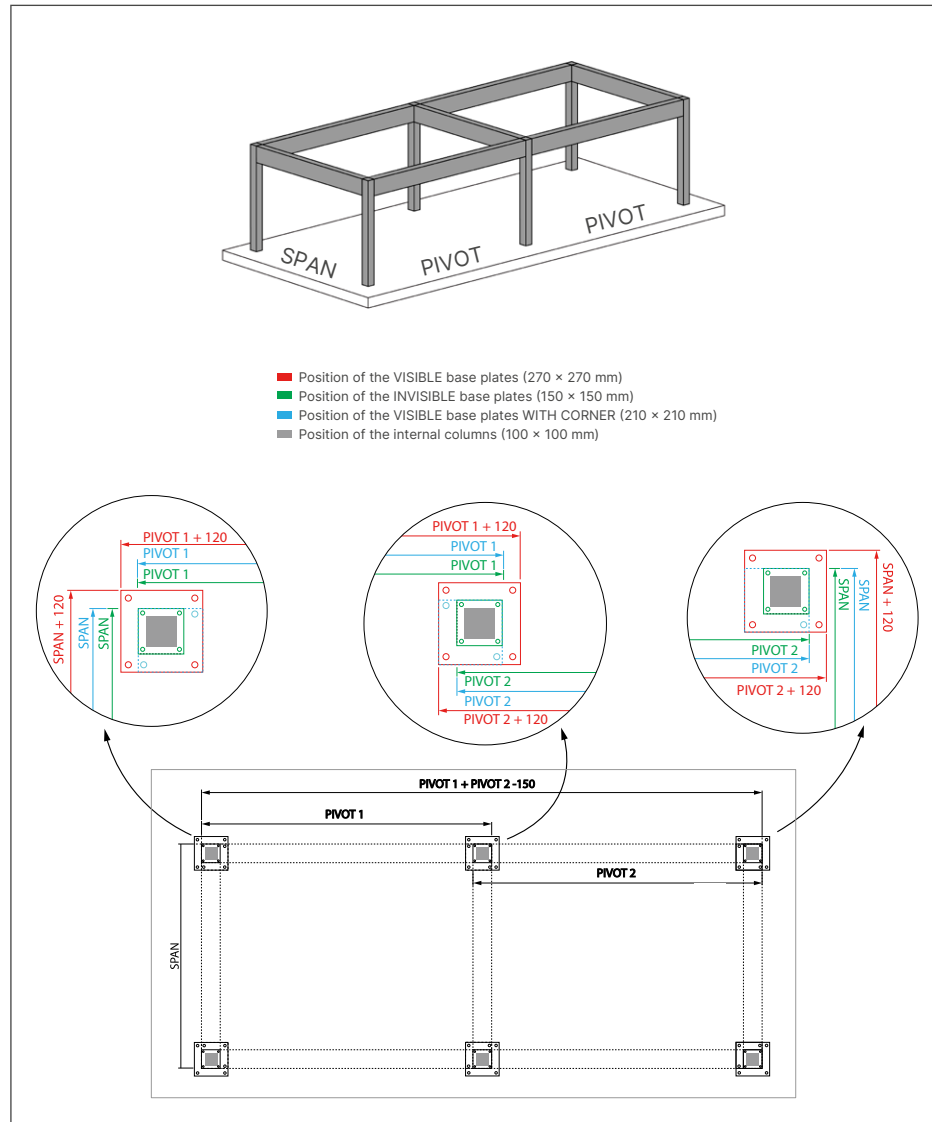
SET:
SAP 7040 (bladed roof)
SAP 7042 (fixed roof)

4x 

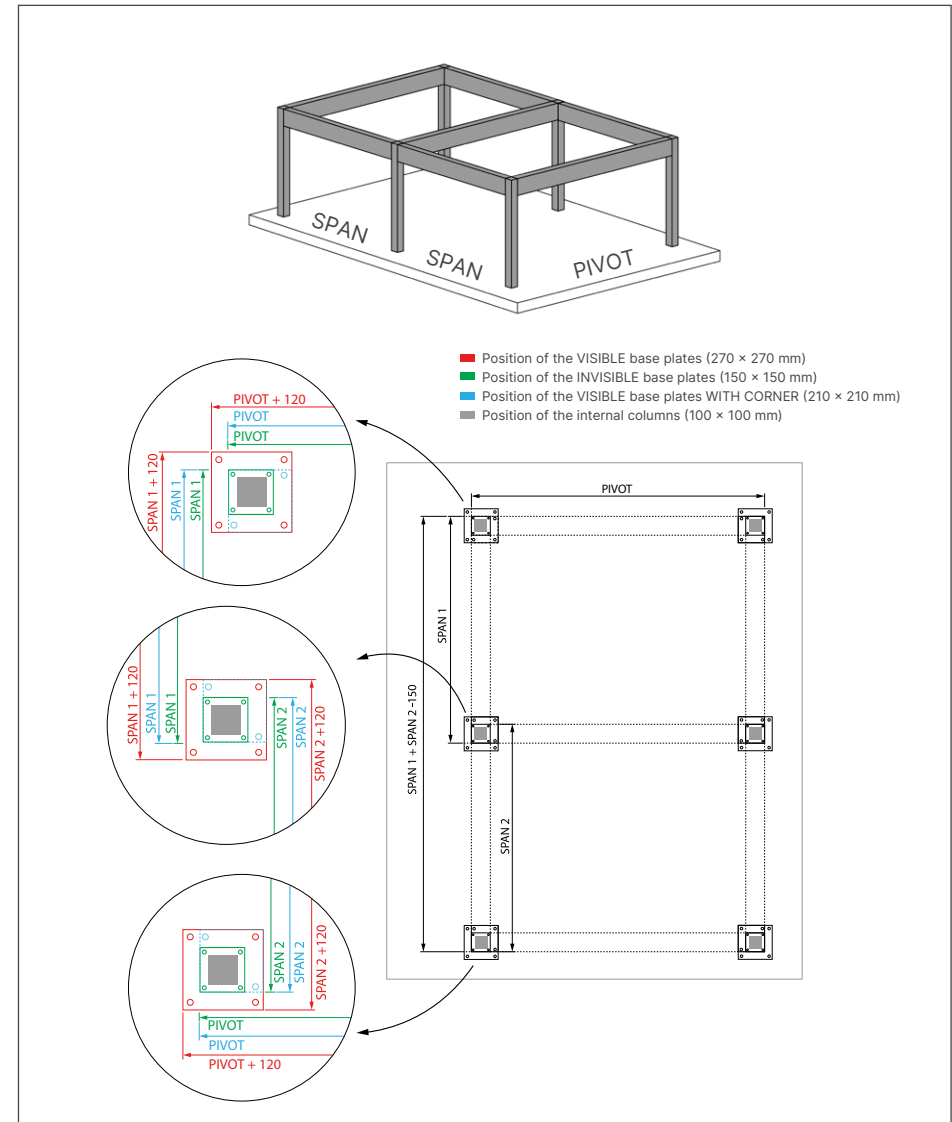
SAP 6708
DIN 912 M8x25

2.1.7 • T-junction with column (linked roof section)

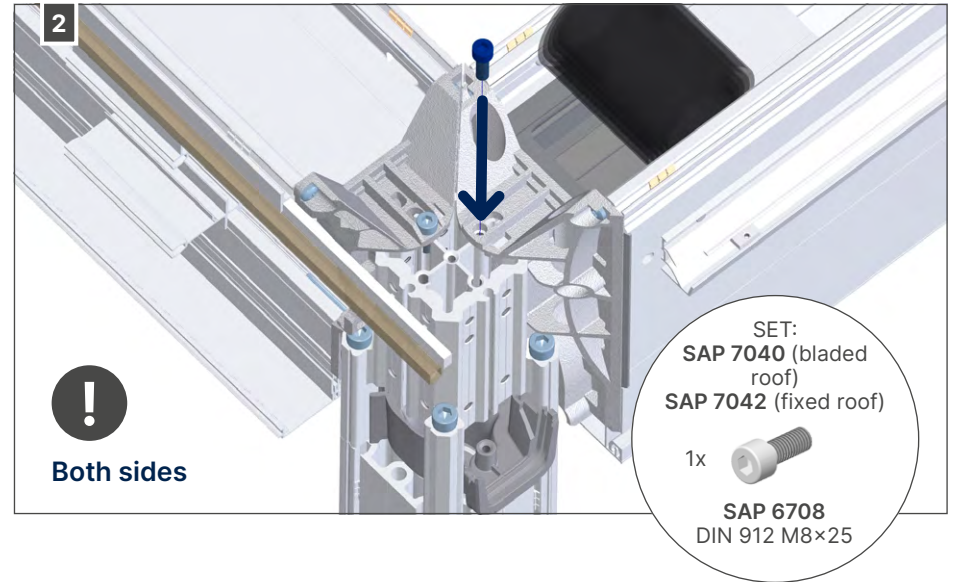
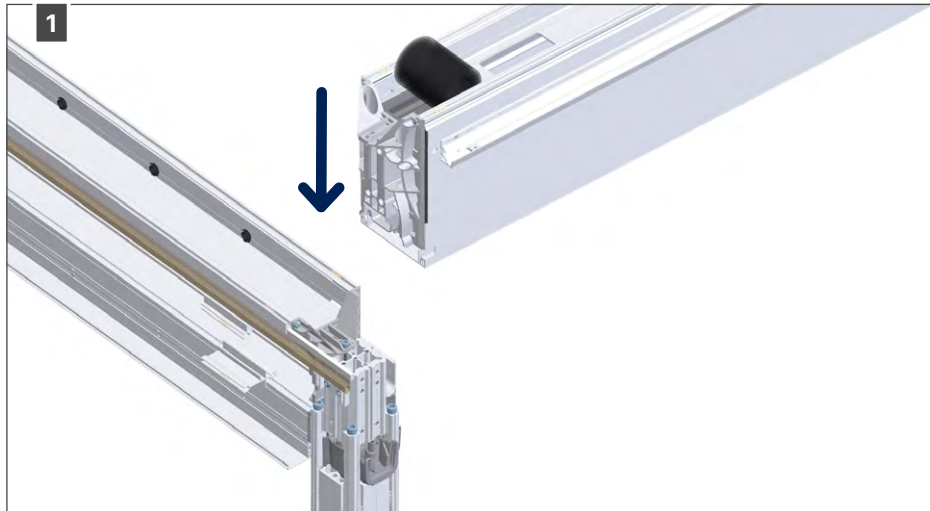
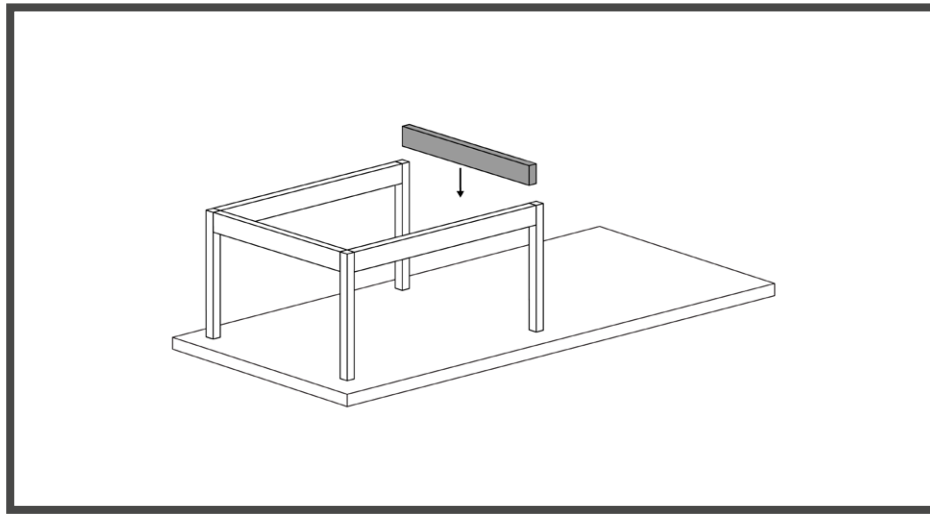
Linked span



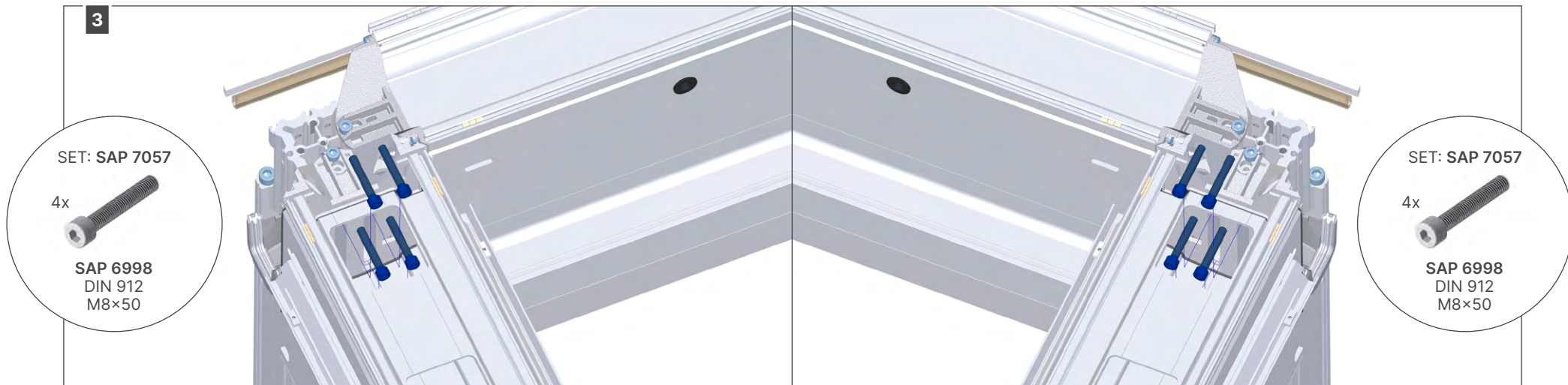
Linked pivot



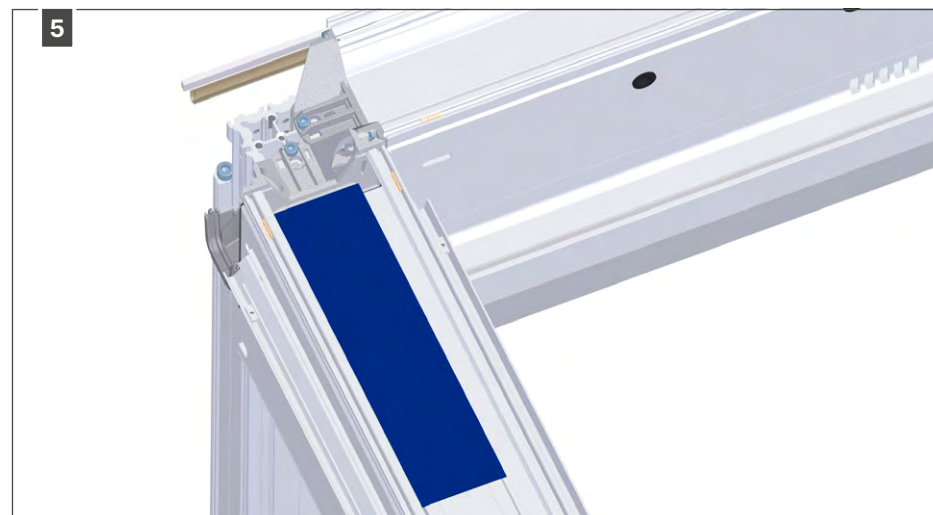
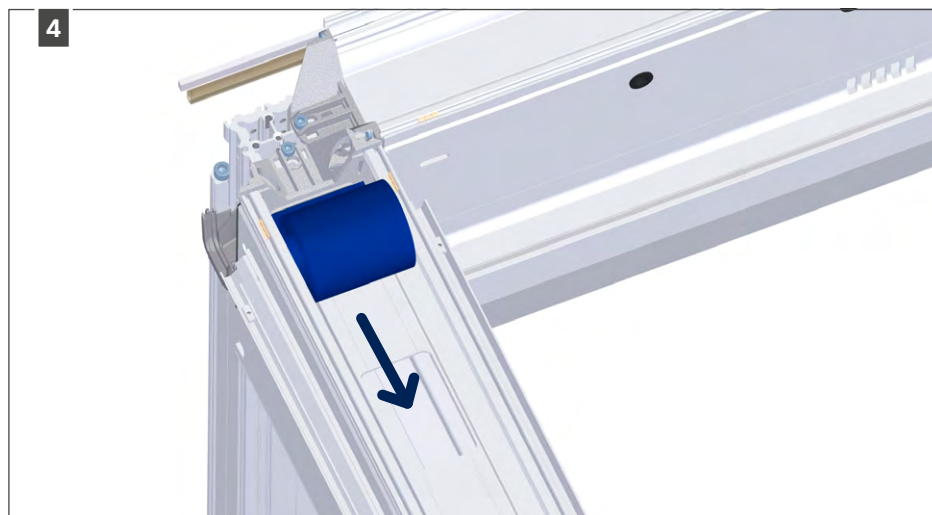
2.1.7.1 • Linked span



BASIC
CONSTRUCTION

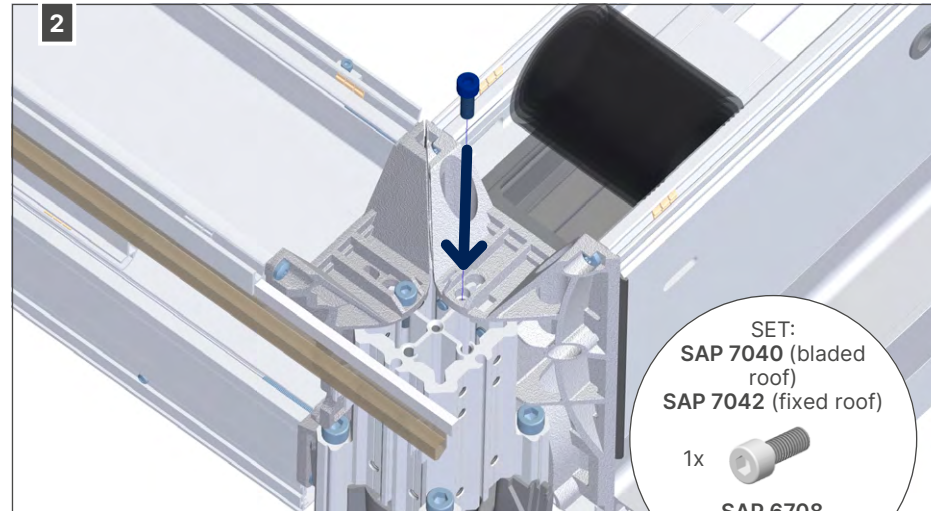
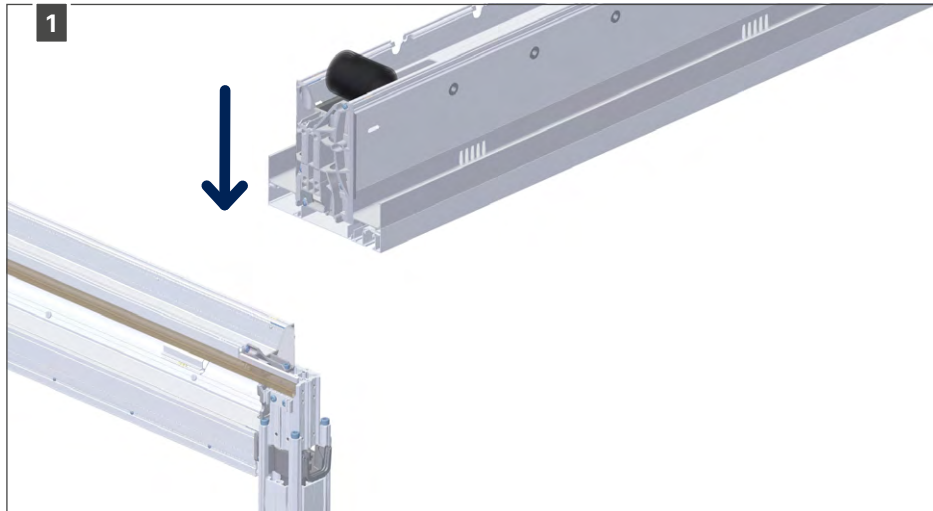
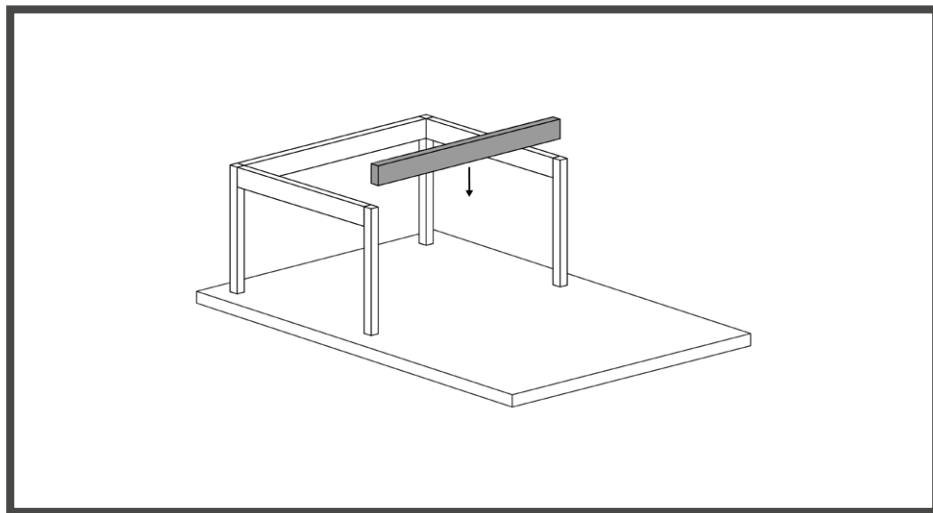



Seal the opening with the supplied tape.



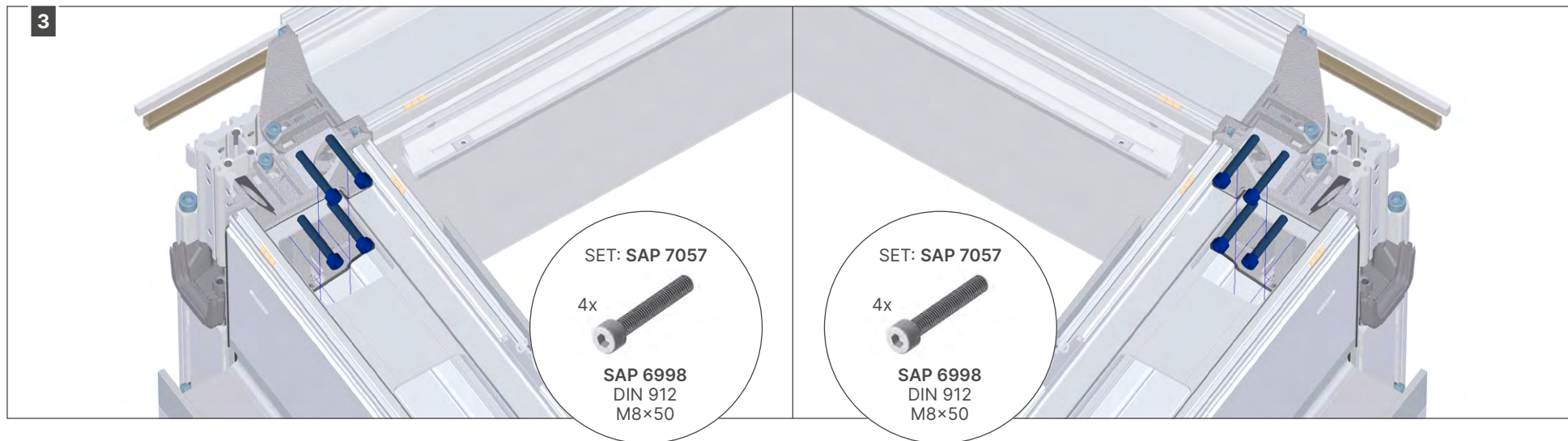
BASIC
CONSTRUCTION

2.1.7.2 • Linked pivot

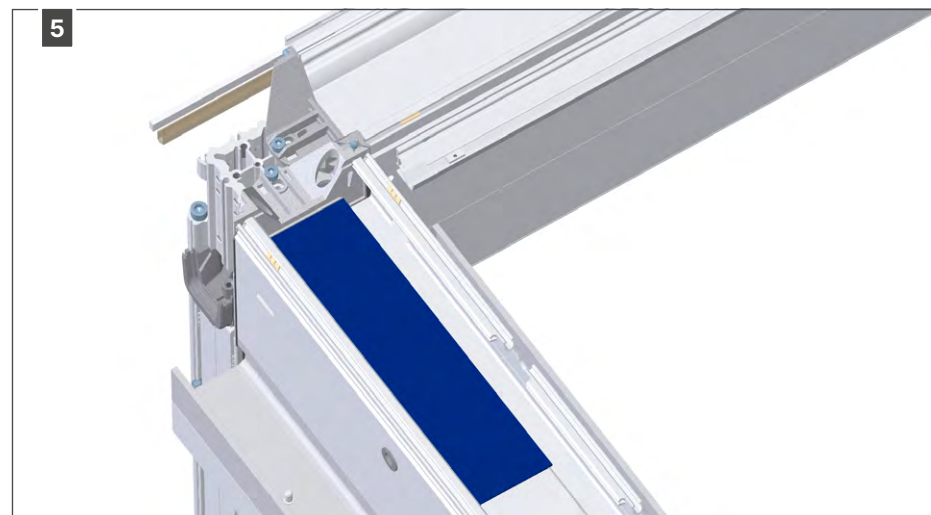
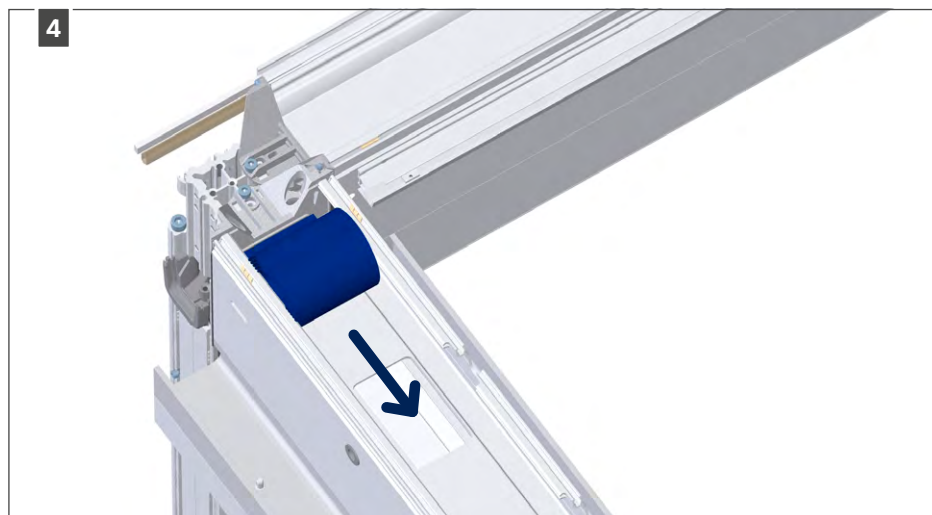


- SET:
SAP 7040 (bladed roof)
SAP 7042 (fixed roof)
- 1x 
- SAP 6708**
 DIN 912 M8×25

BASIC CONSTRUCTION



Seal the opening with the supplied tape.



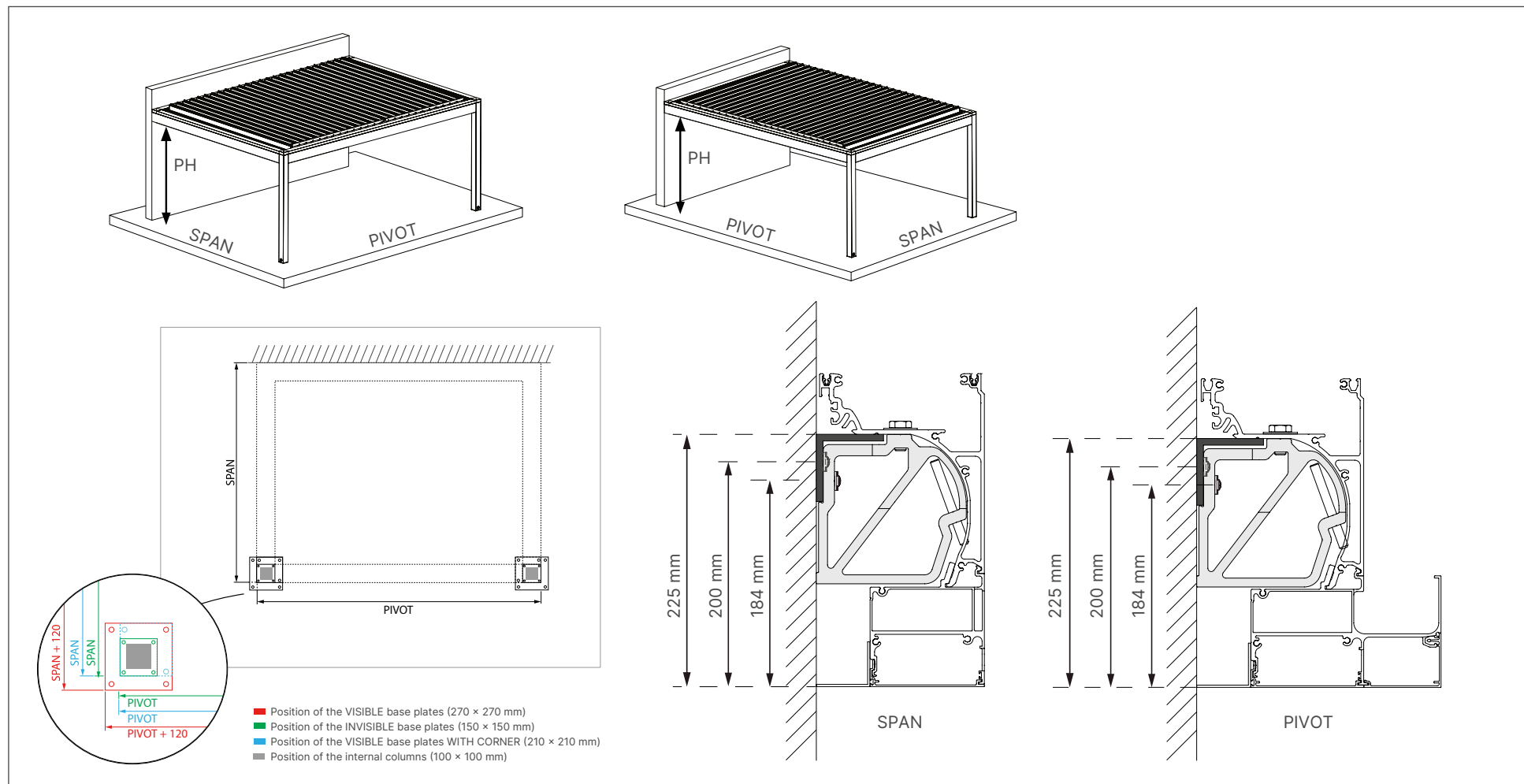
BASIC
CONSTRUCTION

2.2 • Wall-mounted

Please refer to the drawing accompanying your order for the correct dimensions.

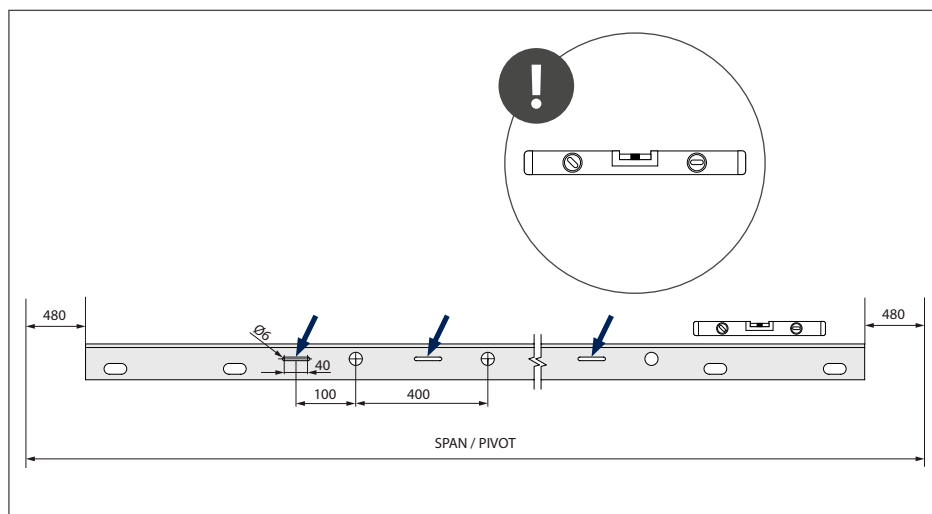
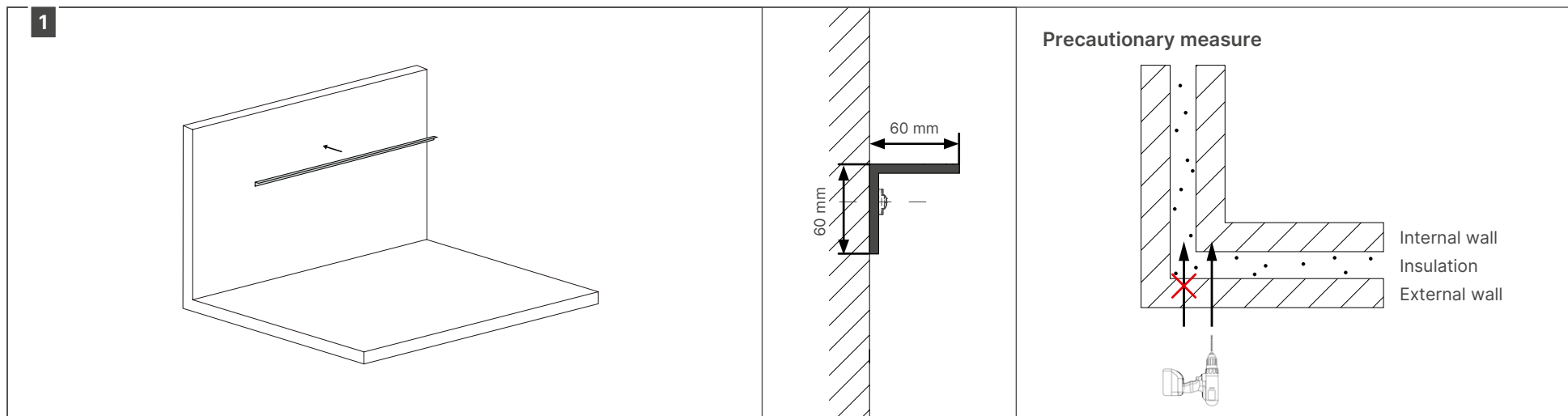
Installation of the wall profile (only for wall-mounted construction types)

Determine the position of the Amani® and mark the Pivot & the Span.

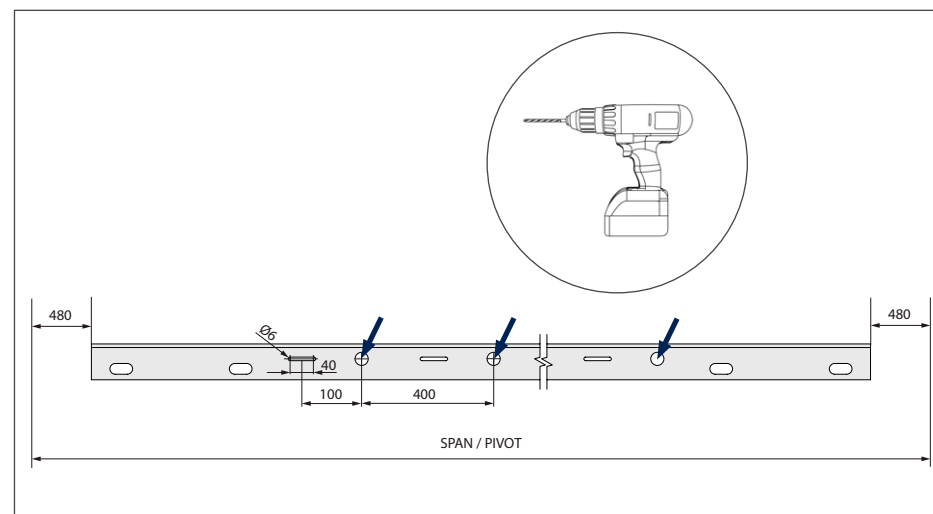


BASIC CONSTRUCTION

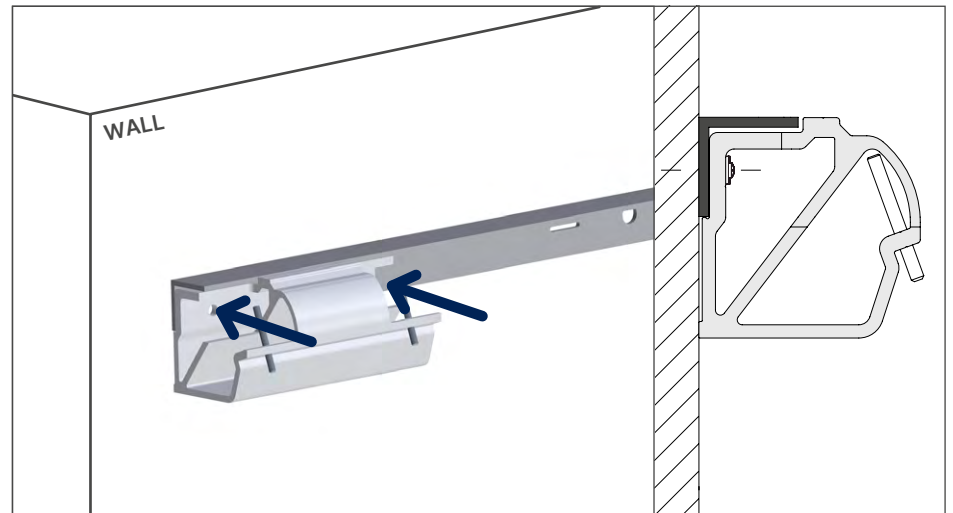
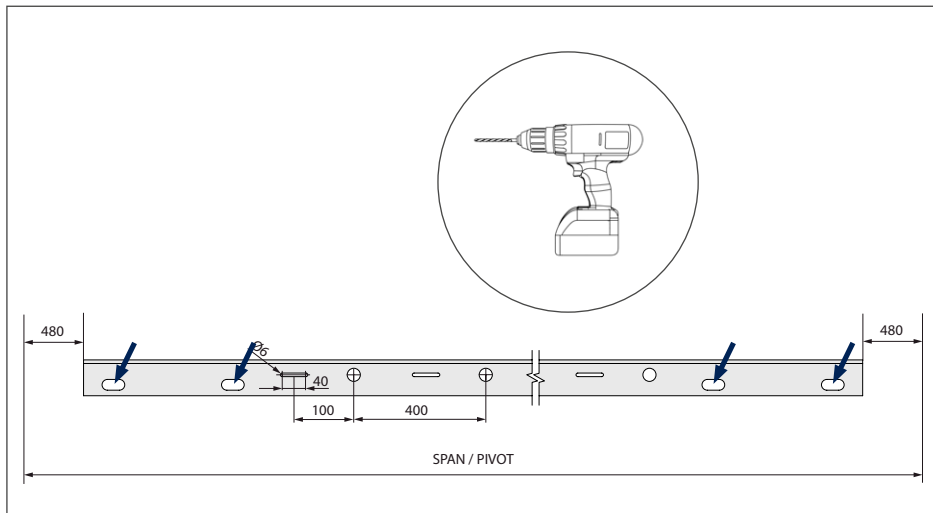
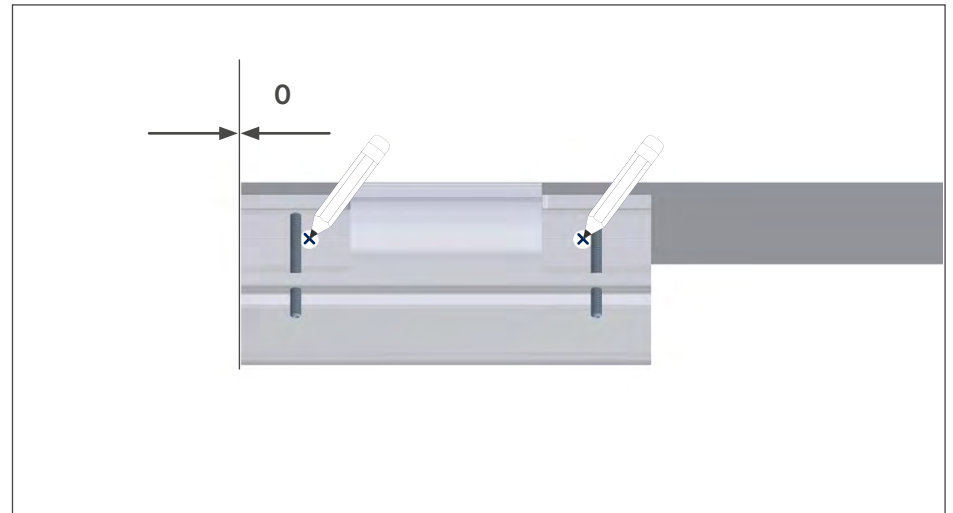
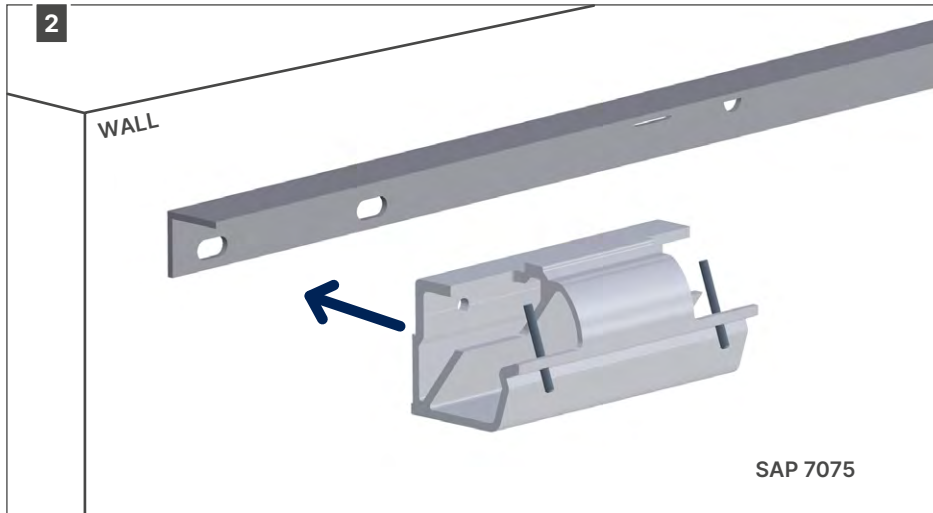
Determine the position of the L-profile and mark it on both sides of the wall.
 The top of the L-profile should be placed at the following height: passage height (PH) + 225 mm.



Provisionally secure the L-profile via the slotted holes.

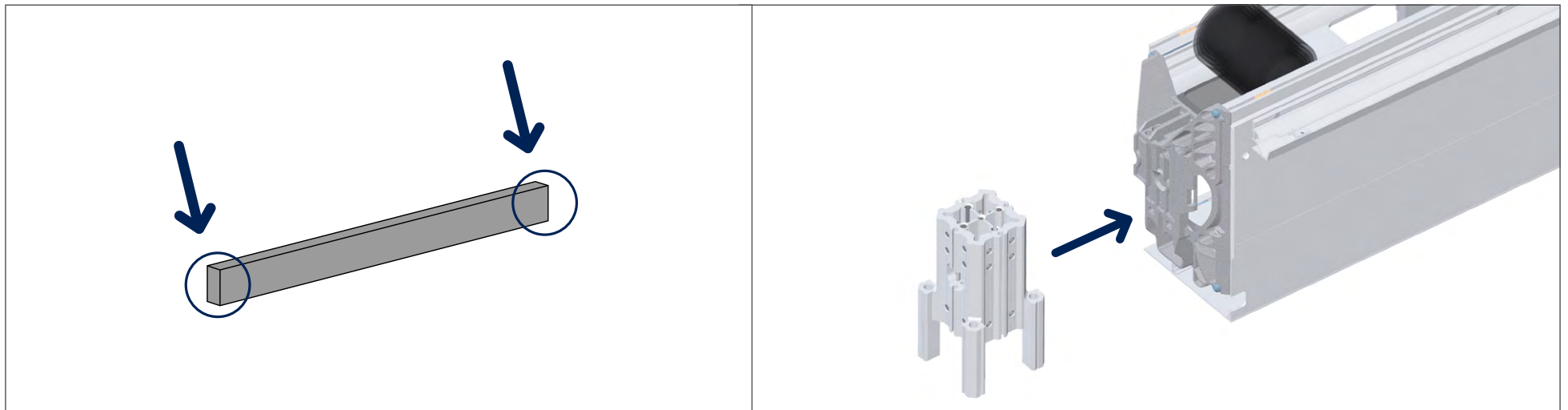
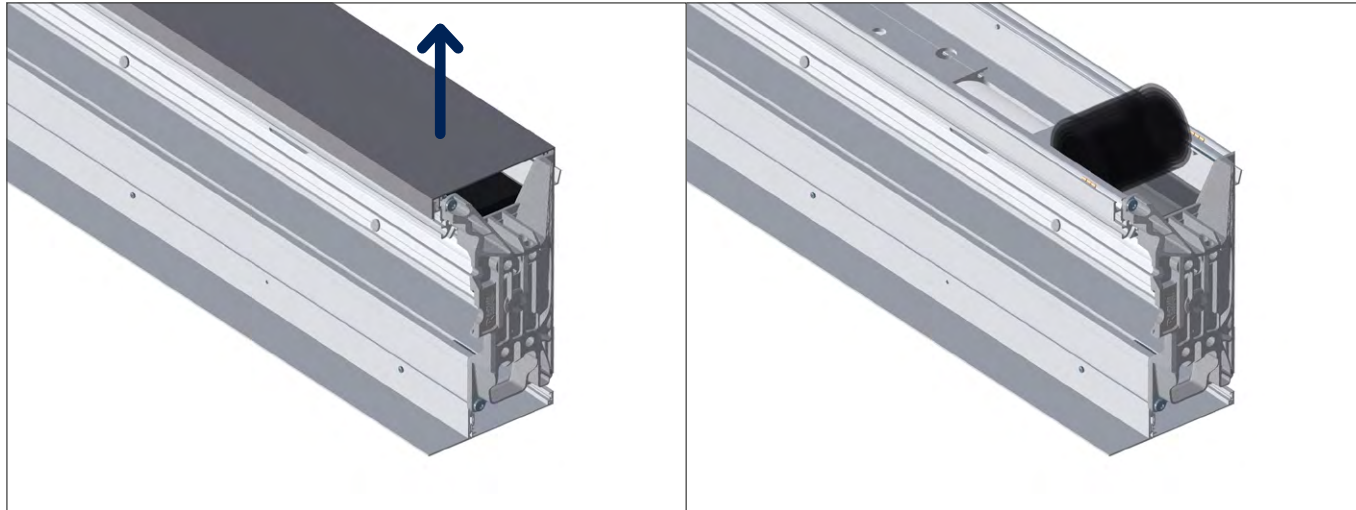


Drill holes and fix the profile into place. Use fasteners adapted to the underlying structure (to be provided by the installer).

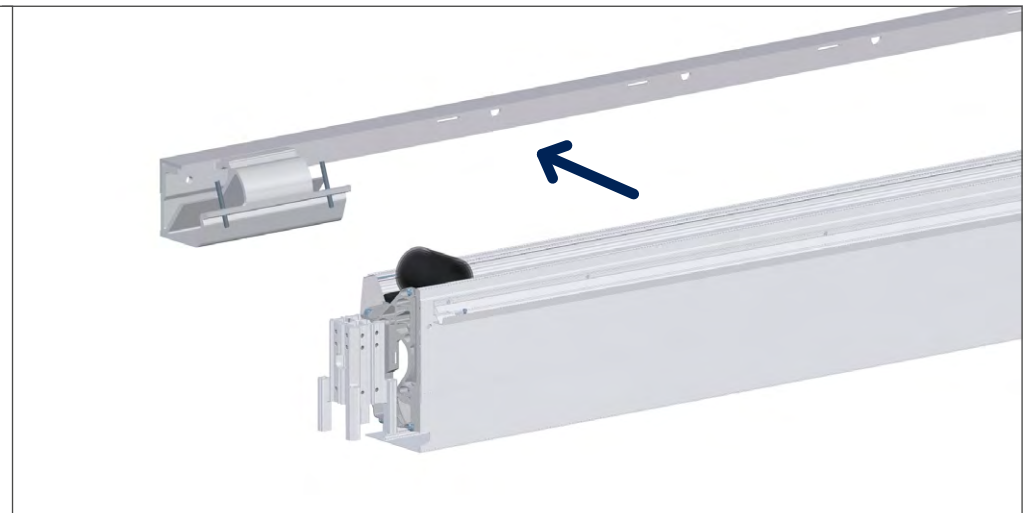
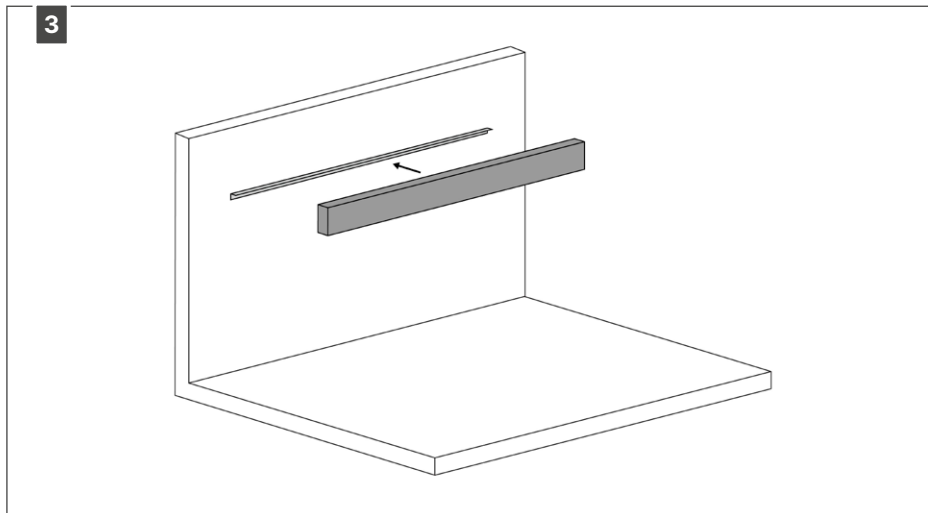
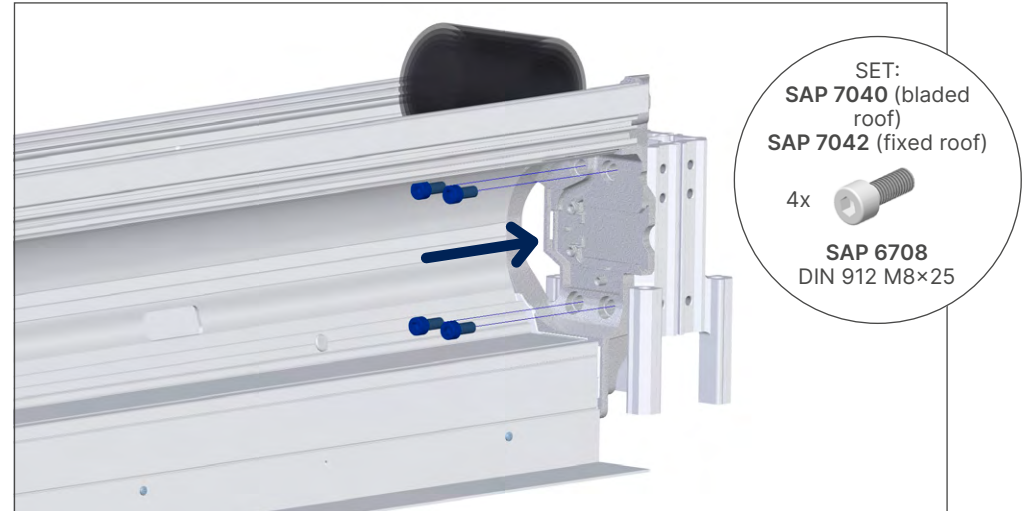
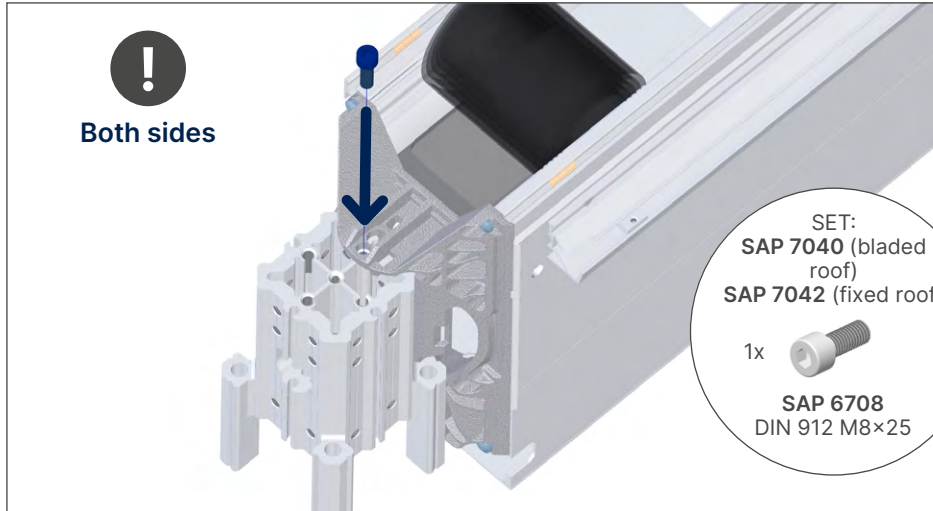


The consoles are mounted through the slots of the L-profile.

Use screws adapted to the underlying structure (to be provided by the installer).



BASIC
CONSTRUCTION

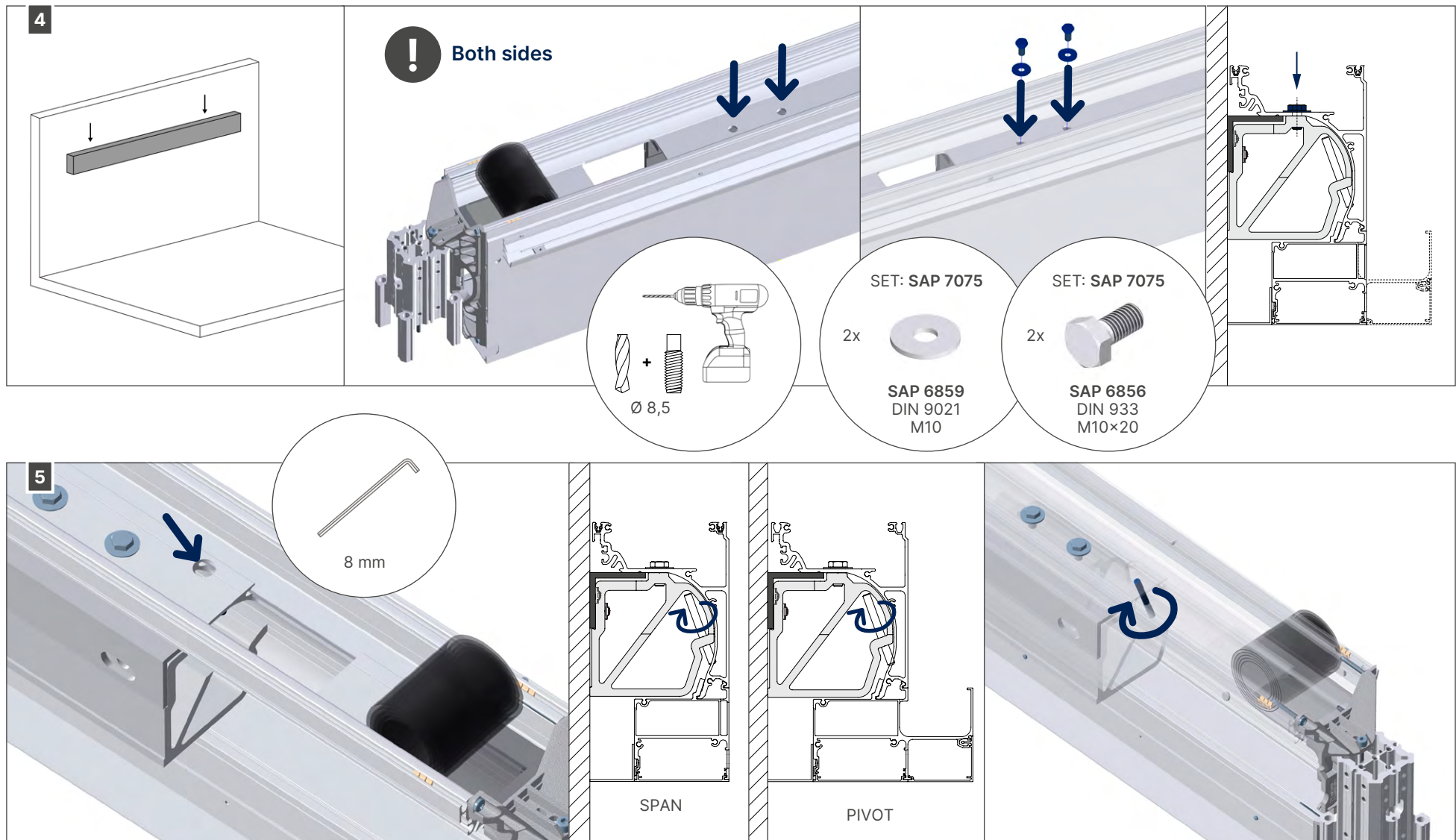


Pivot or Span beam is slid over the consoles up to the wall.

BASIC
CONSTRUCTION

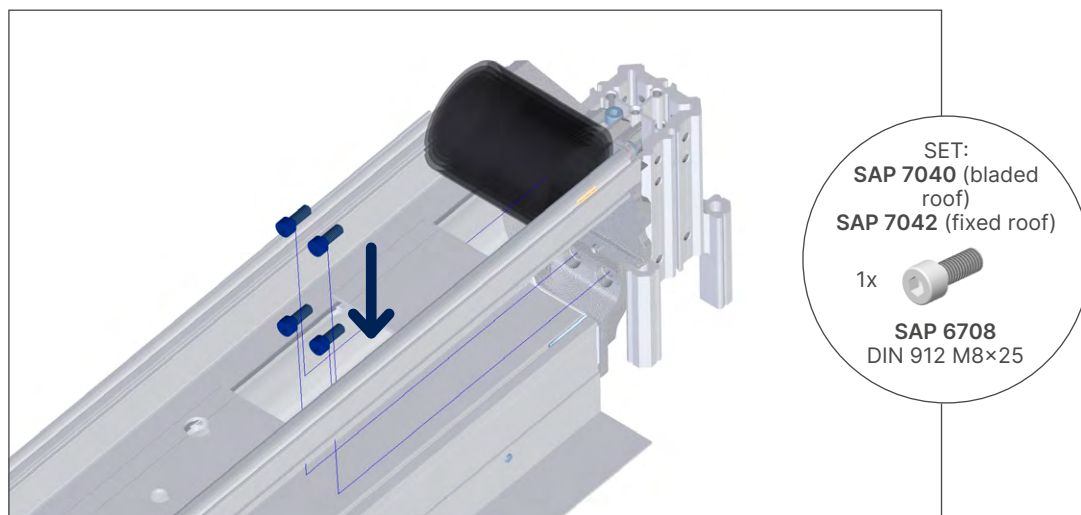
The beam is secured on each console with 2 bolts M10×20.

The mounting holes are provided in the beam but not in the consoles. Mark the holes on both consoles. Drill the holes and tap threads of M10.

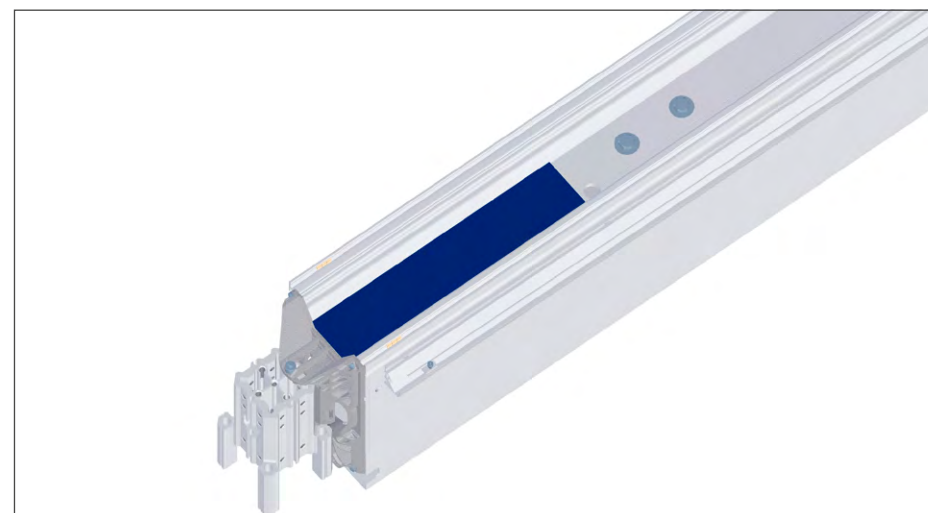
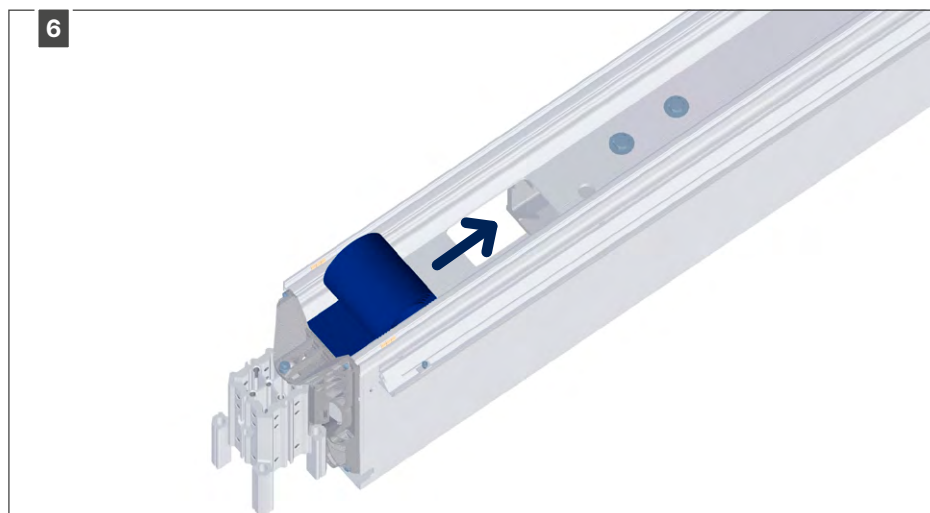


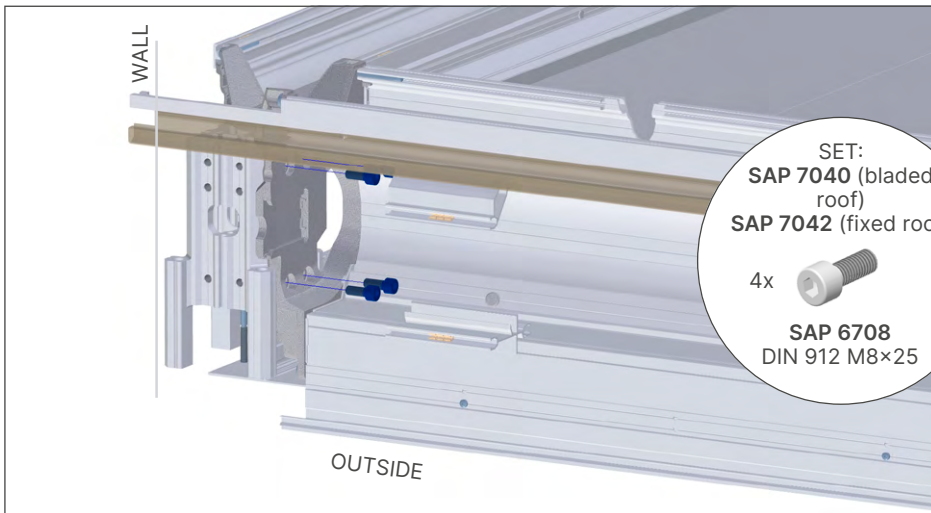
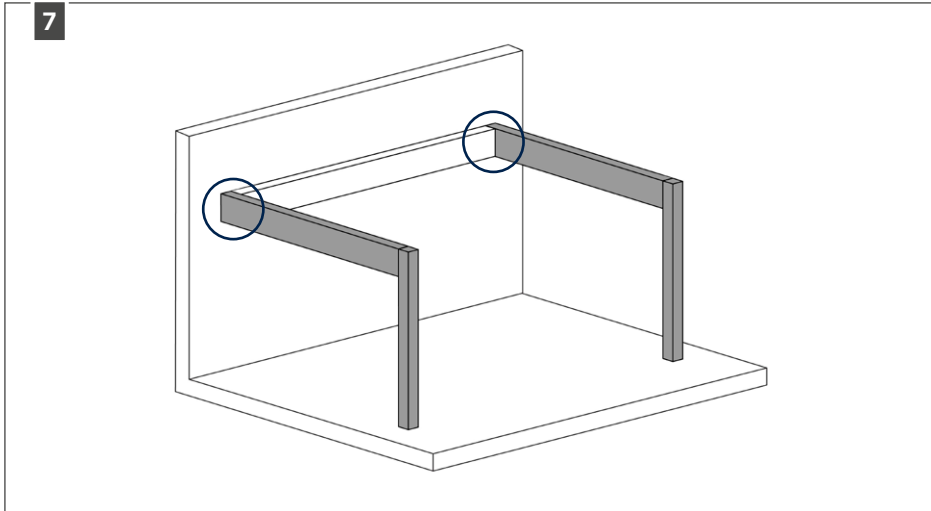
Tighten the adjusting screws in the consoles so they engage behind the hook profile. This provides extra security for the beams.

If multiple roof elements are placed against the wall, steps 1 to 5 are repeated for each element.
To fix the other beams against the wall, the bolts can be secured to the end cap more easily through the top side.

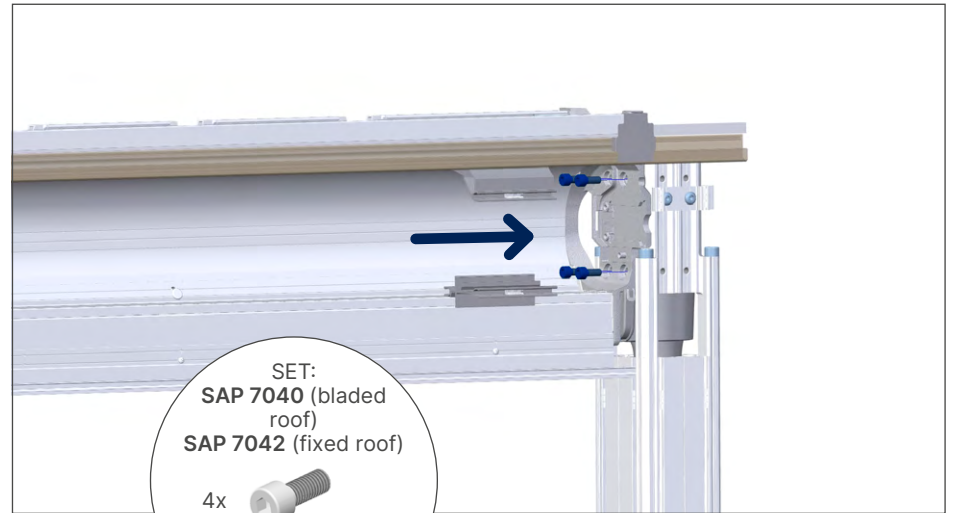
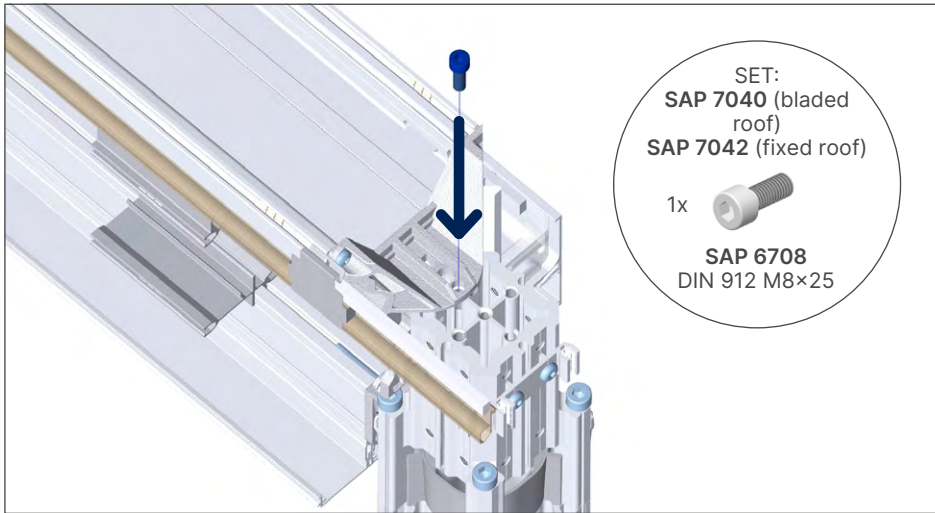
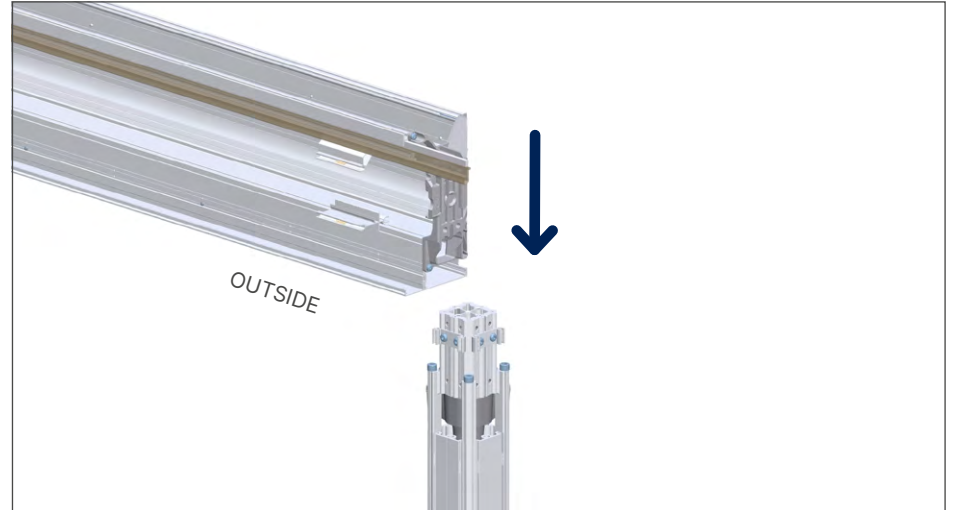
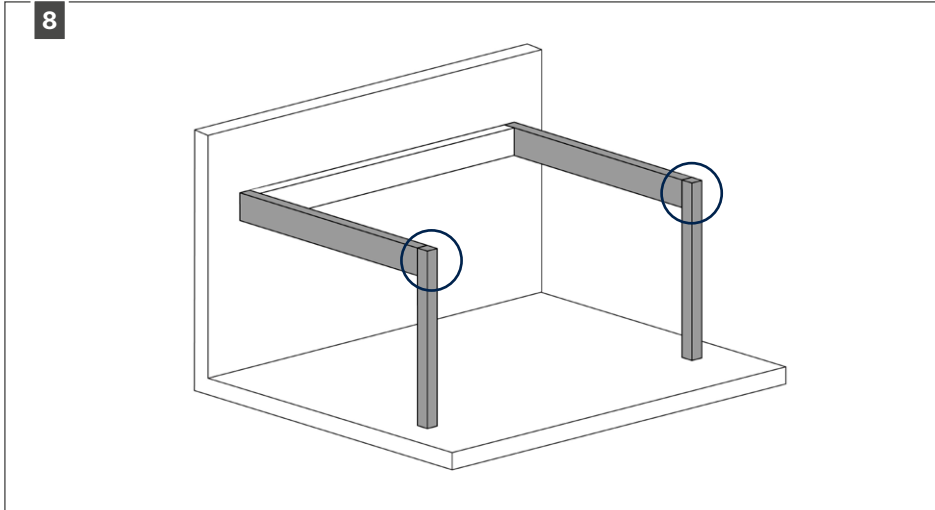


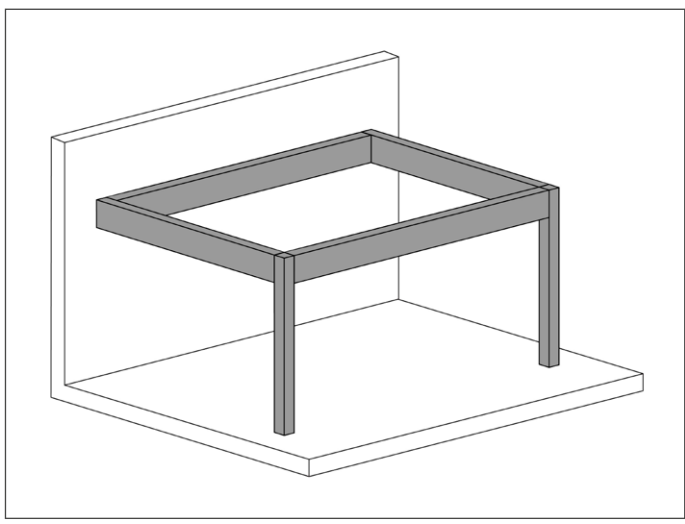
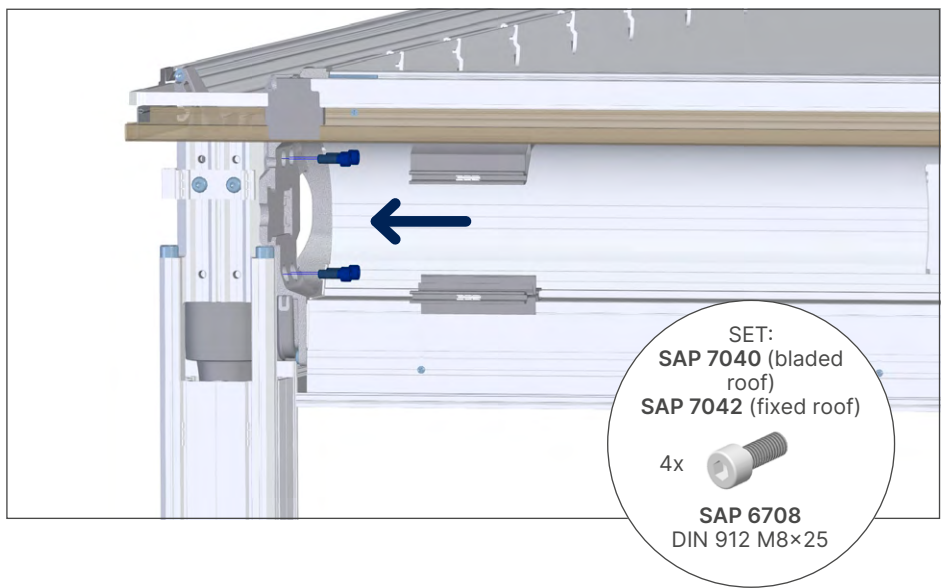
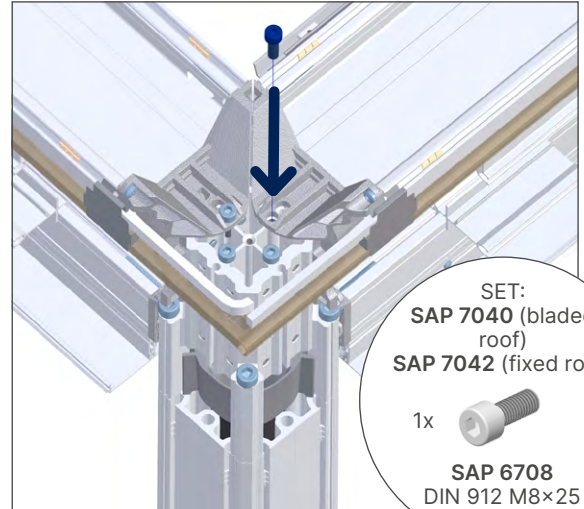
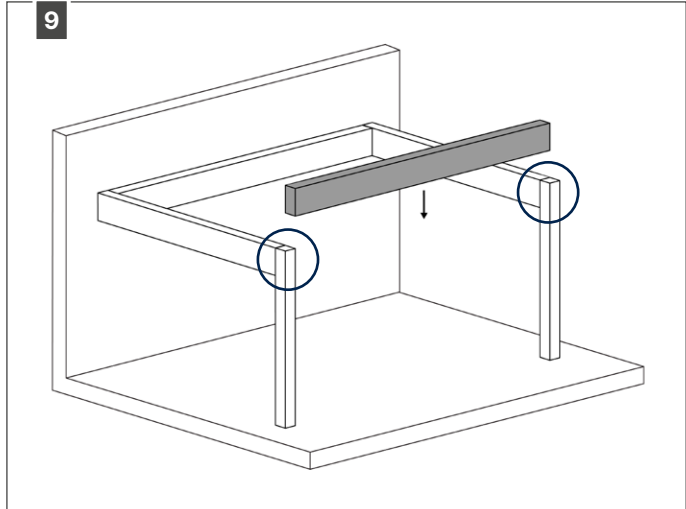
Seal the opening with the tape provided.





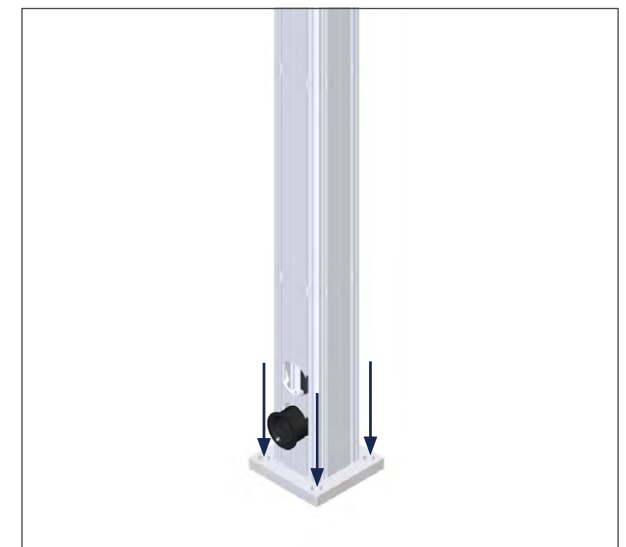
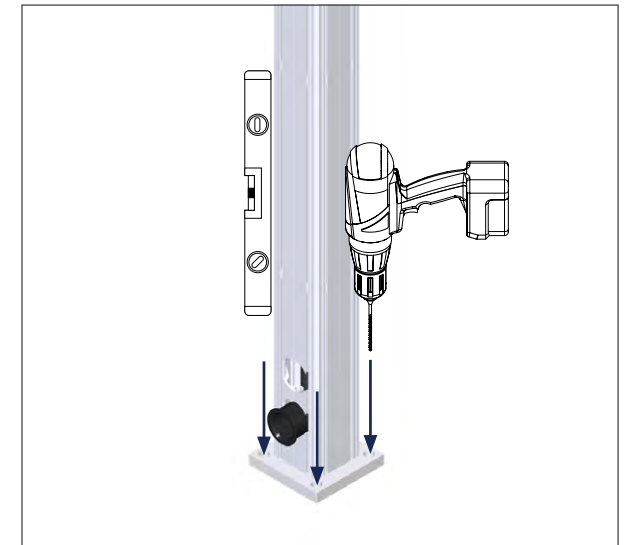
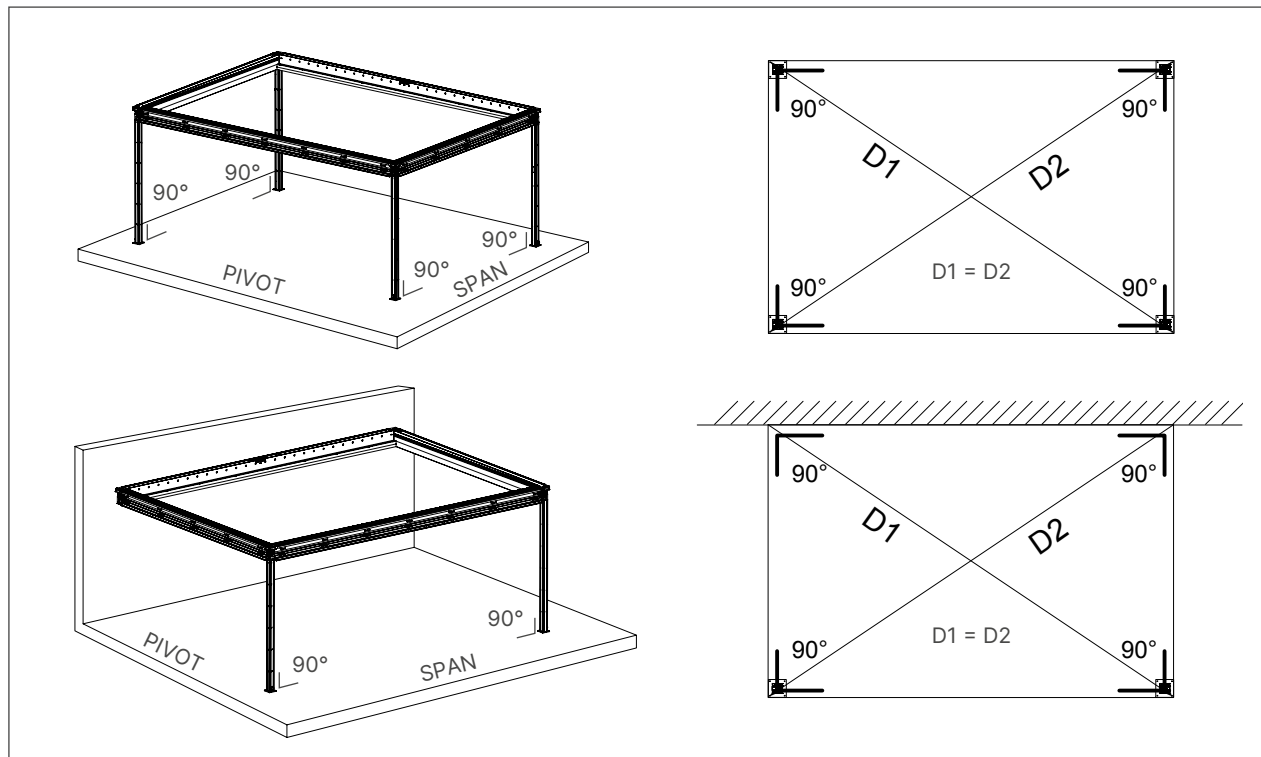
BASIC
CONSTRUCTION





BASIC CONSTRUCTION

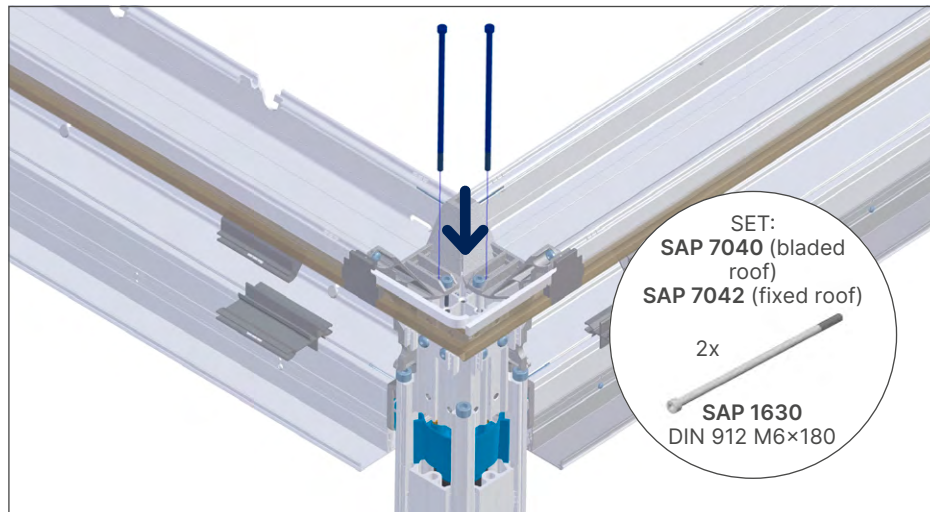
2.3 • Monitoring and securing frame profiles



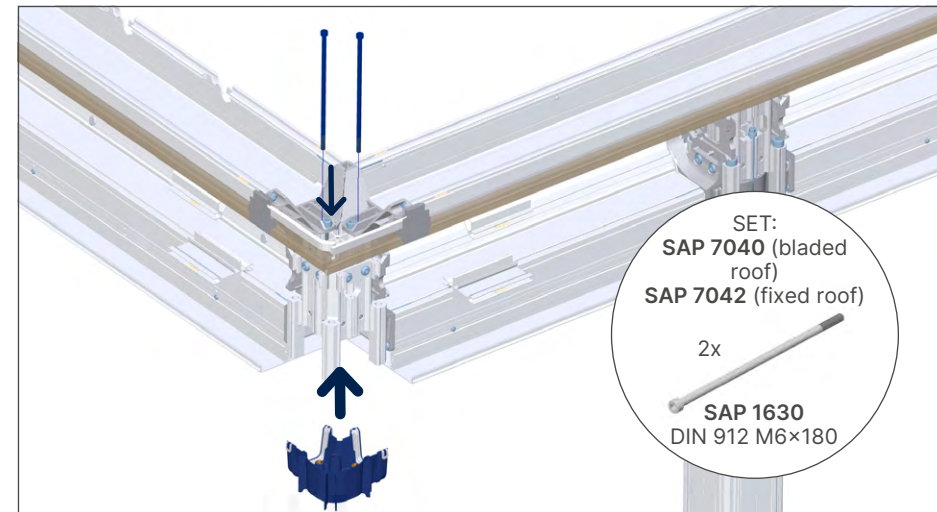
Secure the mounting bases. Use fasteners adapted to the relevant surface (to be provided by the installer).
The position can still be corrected at this stage.

2.4 • Fastening of feed and discharge hopper

2.4.1 • L-junction with column



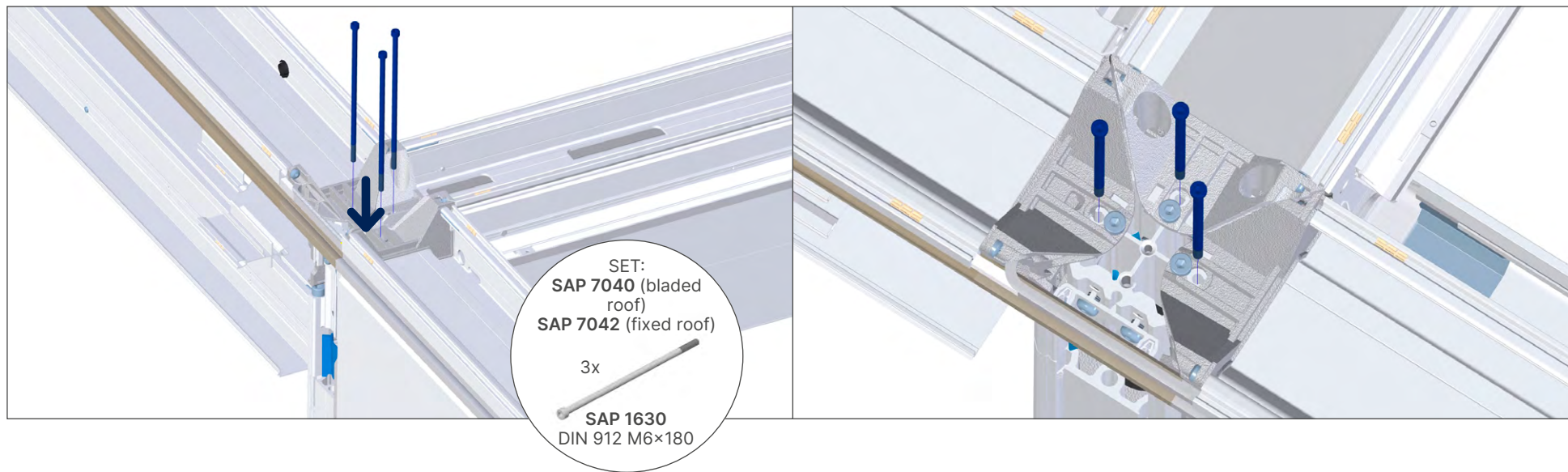
2.4.2 • L-junction without column



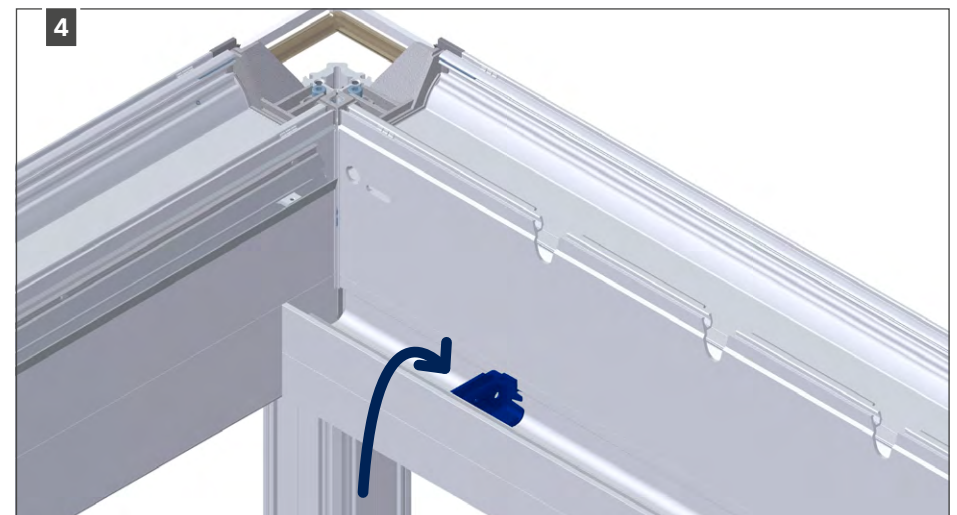
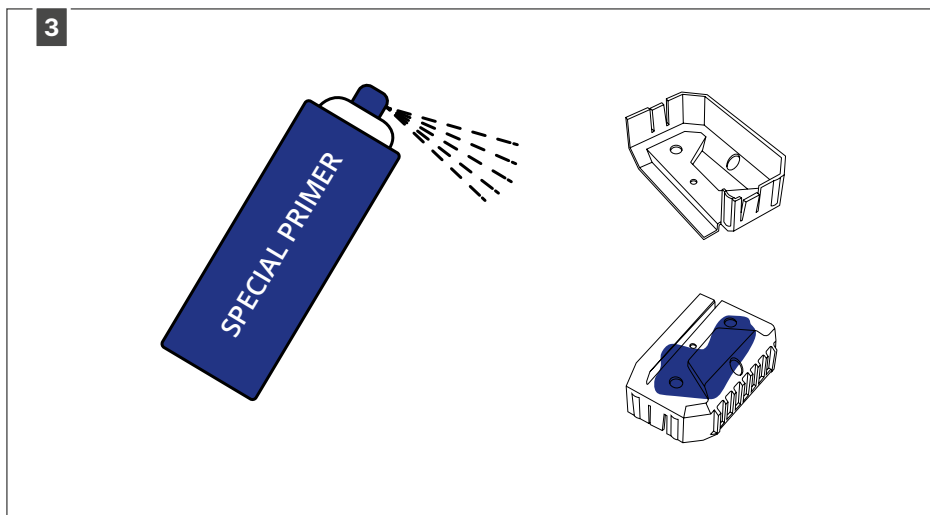
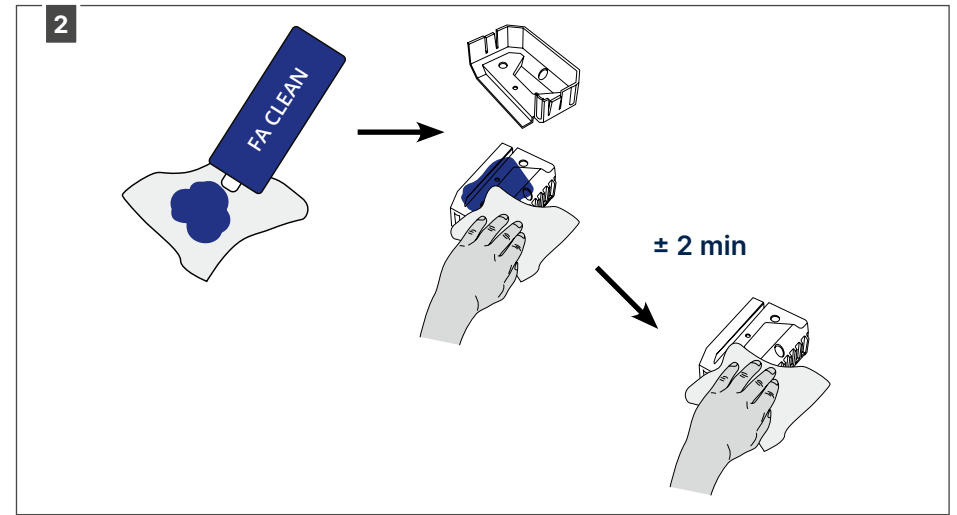
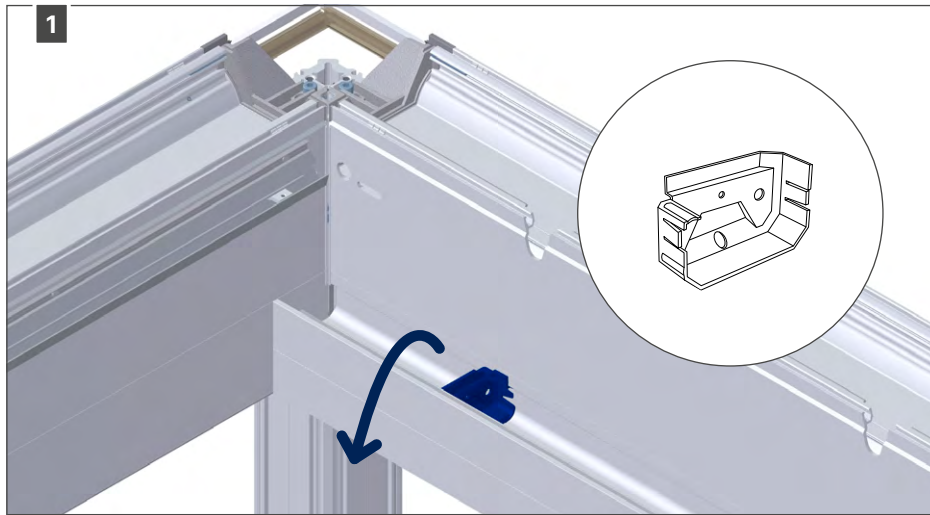
2.4.3 • I-junction with column

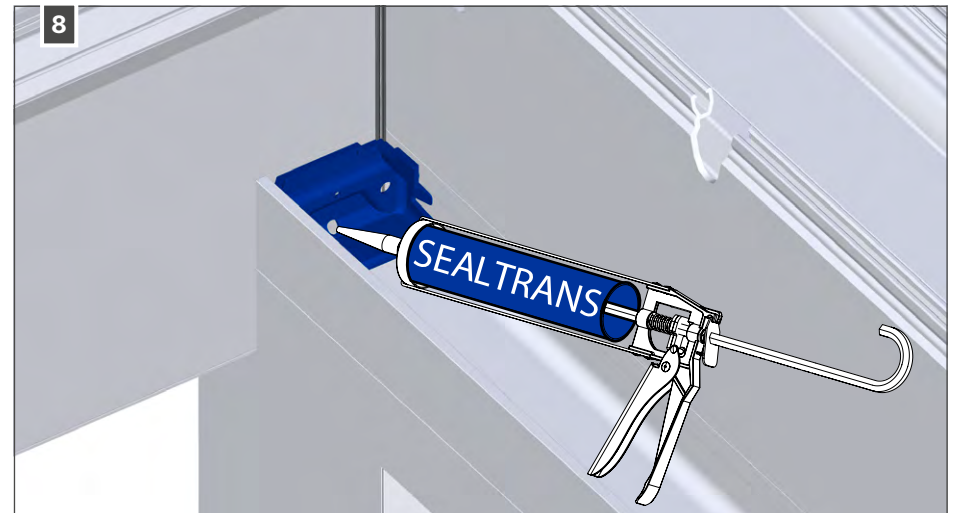
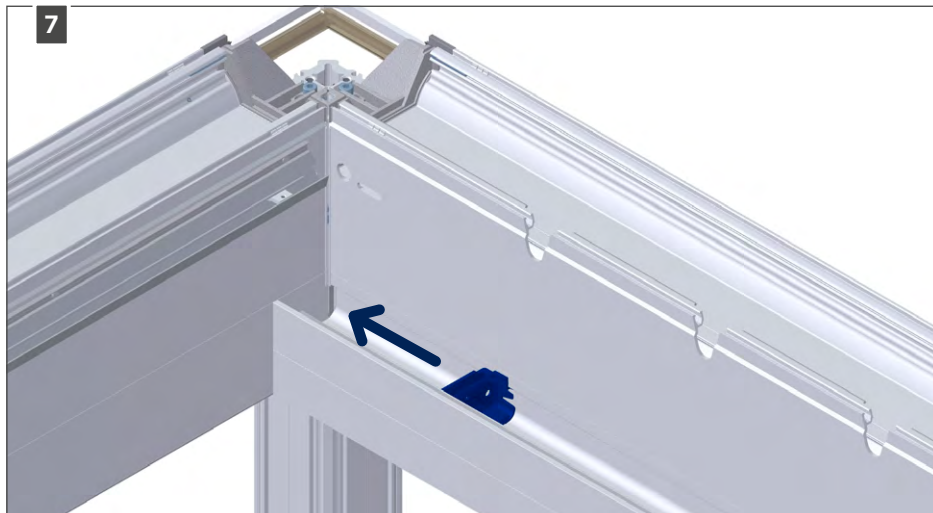
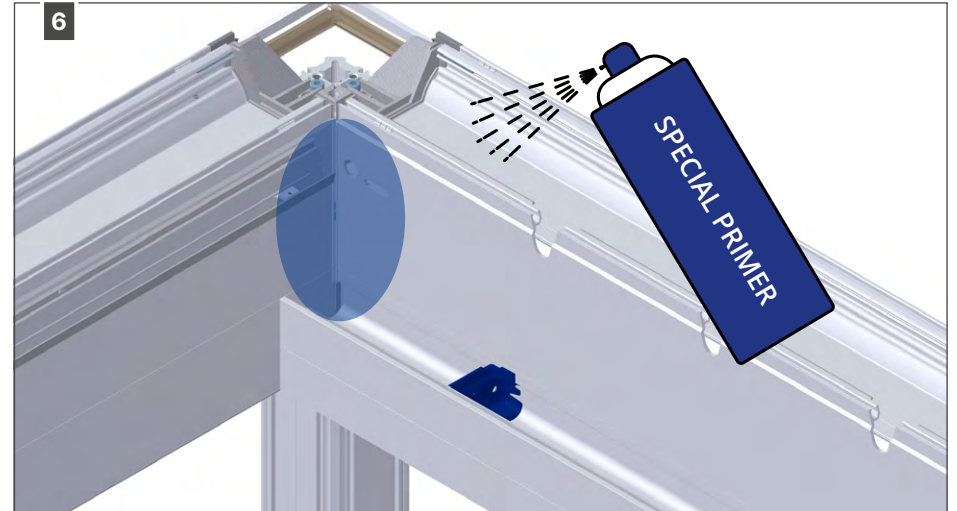
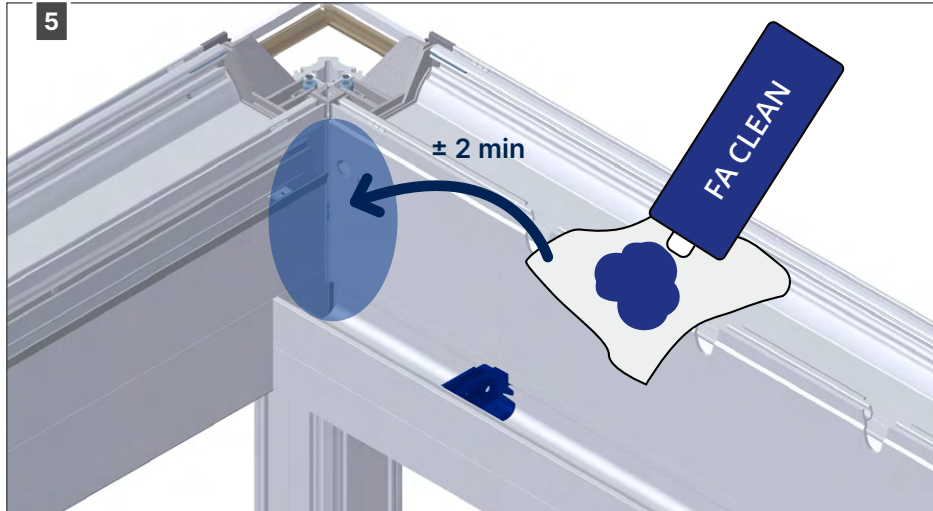


2.4.4 • T-junction with column (linked roof section)

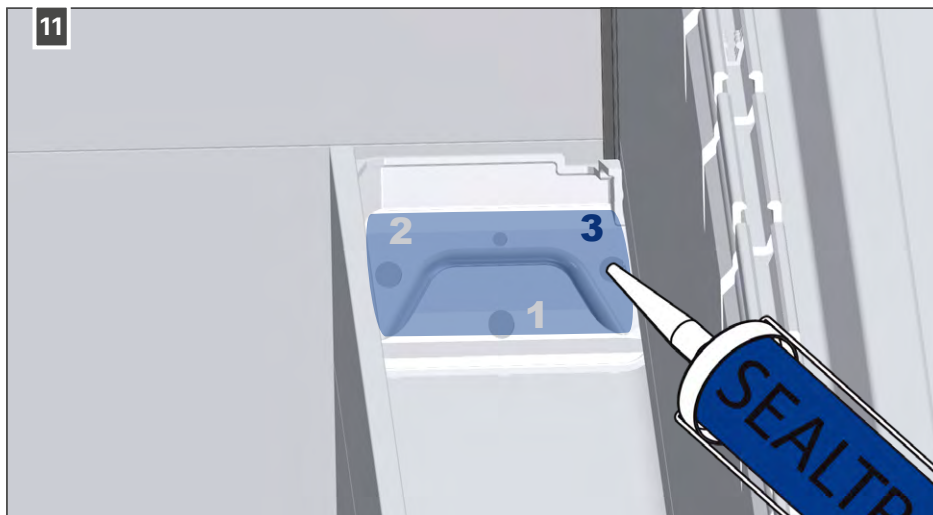
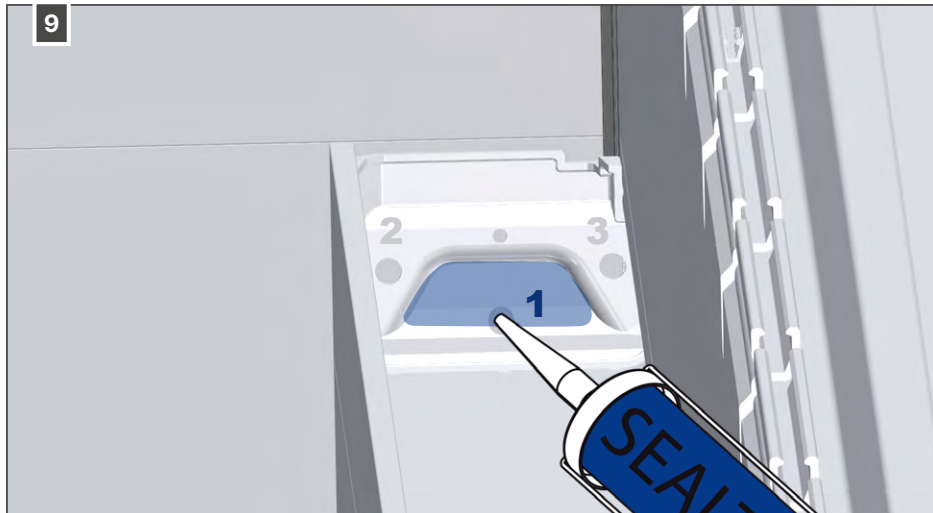


2.5 • Sealing the gutter end caps



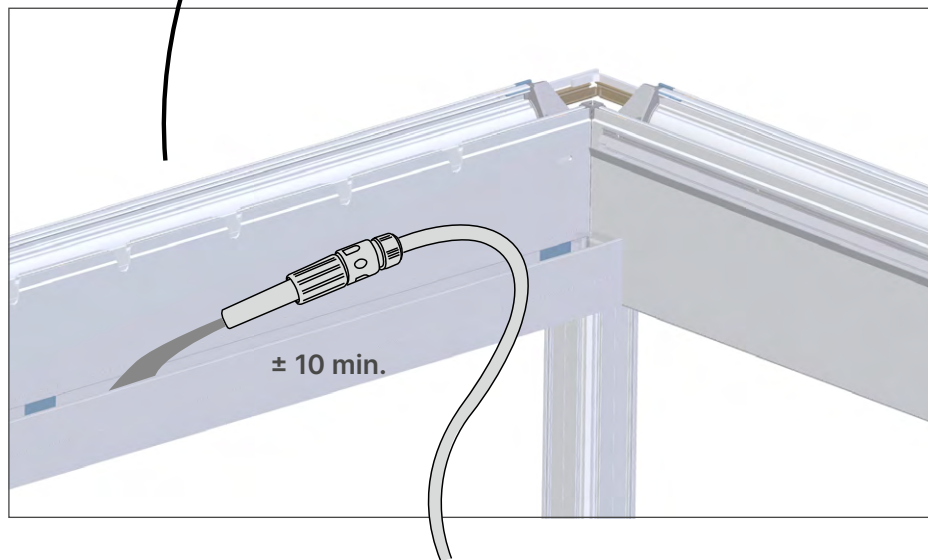


BASIC
CONSTRUCTION



BASIC
CONSTRUCTION

2.6 • Water test 1: checking the gutter system



We recommend testing every installation for water infiltration prior to delivering. This can be done in a number of steps.

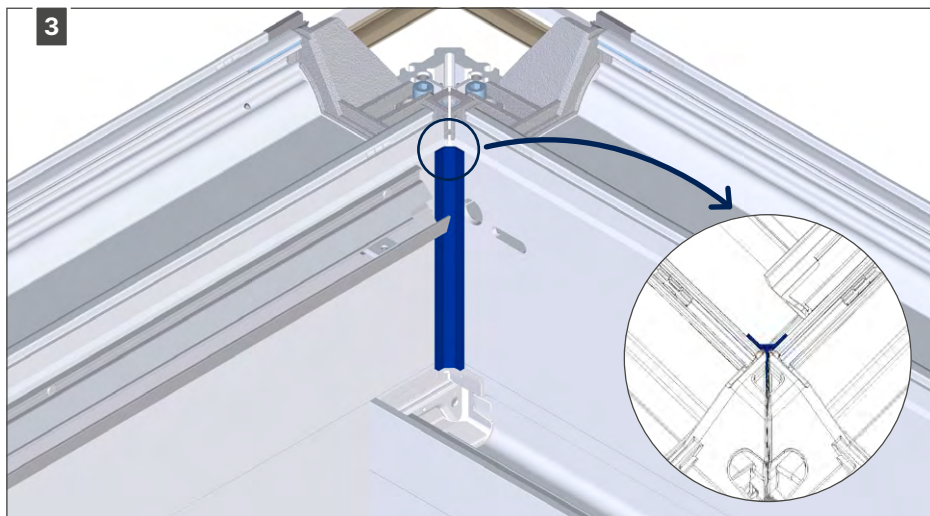
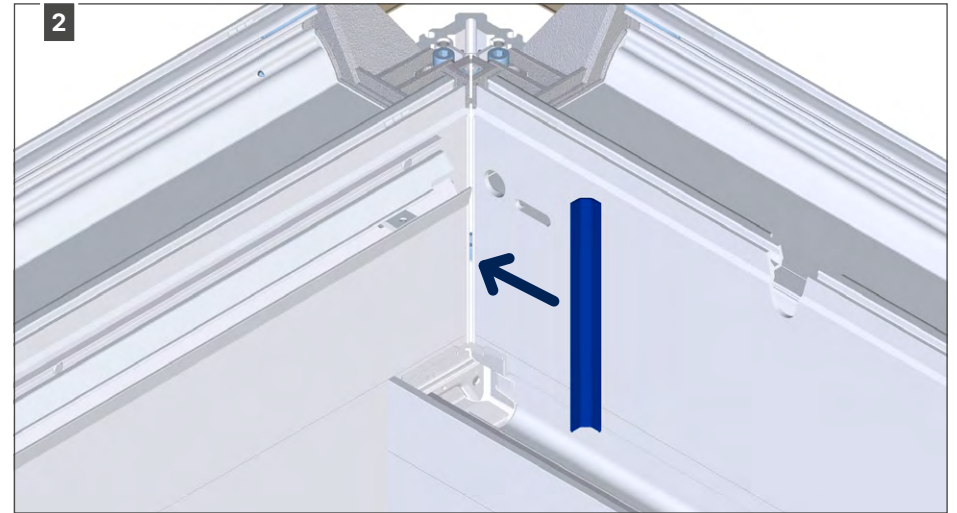
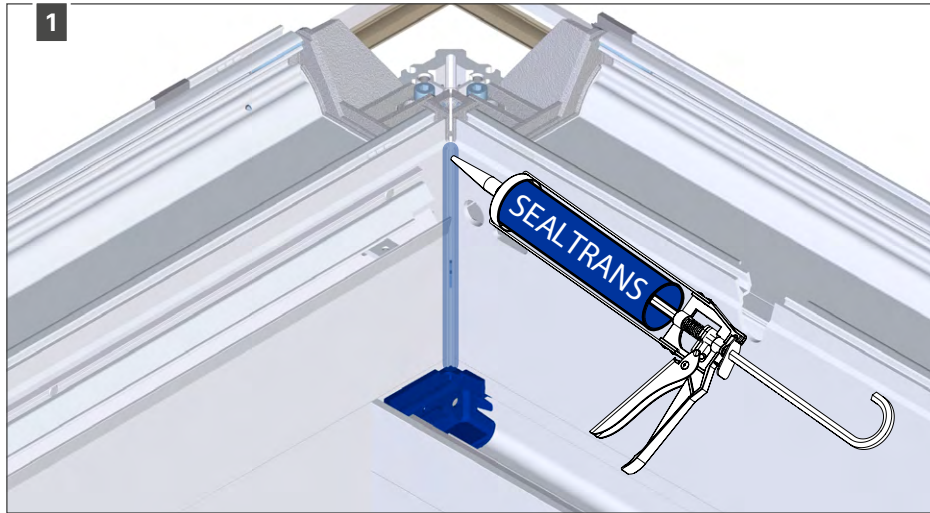
These steps can also be used to help diagnose any water infiltration.

Test the gutter system to ensure that it is watertight.

Do this as follows:

- This requires that the following installation steps have already been carried out:
 1. All span & pivot beams are installed.
 2. Gutter endcaps in the pivot are installed and sprayed.
 3. Transit funnels in nodes without column are installed.
- For preference, the following installation steps should not yet have been carried out:
 1. Blades not yet installed.
 2. Vertical finishing profile in the inside corners not yet installed.
 3. The corner and finishing caps on the columns not yet installed so that any water infiltration is clearly visible.
 4. The cover plates at the nodes without columns are not yet installed.
- Spray water with a garden hose in a pivot gutter for ± 10 min. Do this as far as possible from a discharge point. Check at the bottom of each node whether all funnels and endcaps of the gutter have a watertight seal.

2.7 • Sealing inside corner between span and pivot

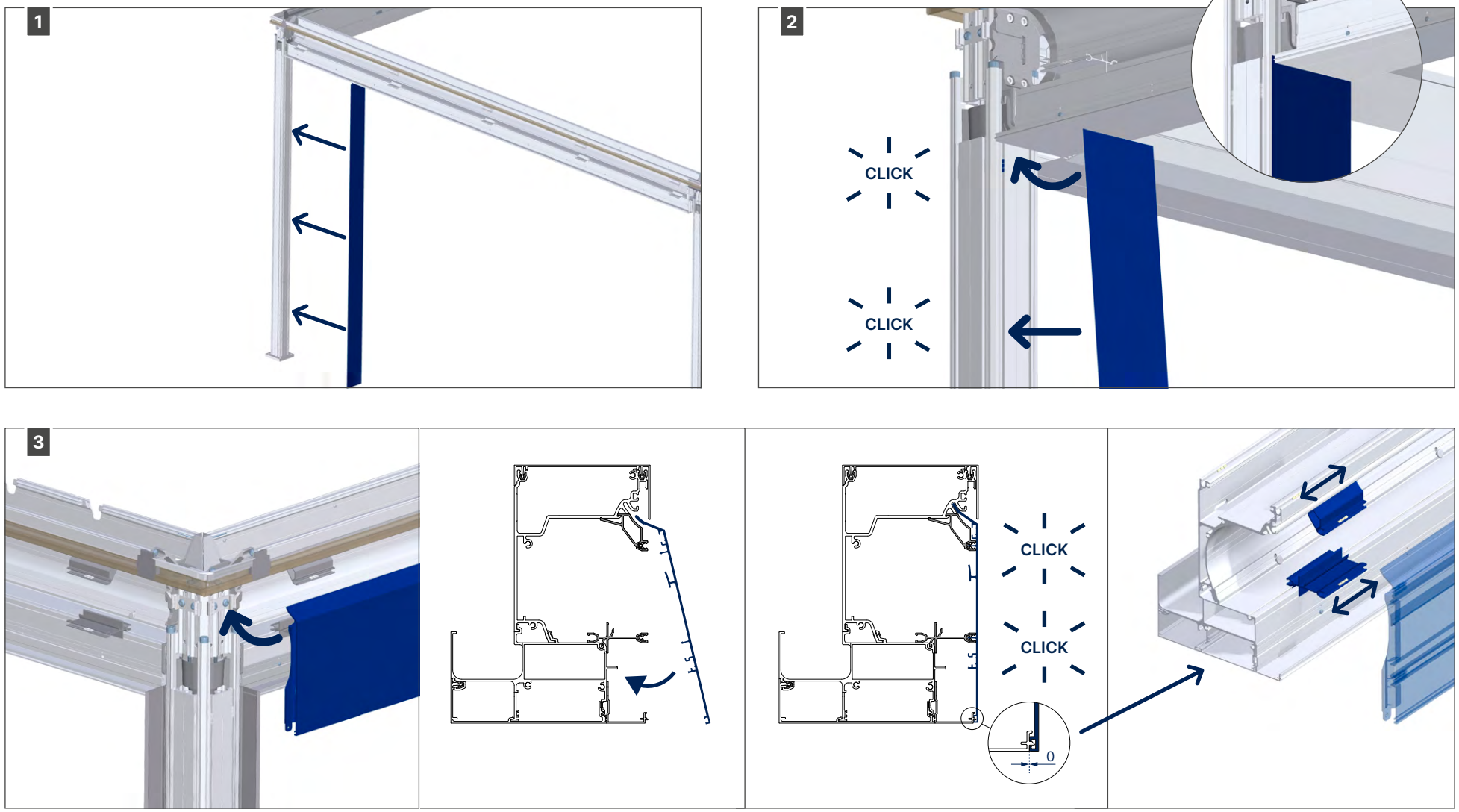


BASIC
CONSTRUCTION

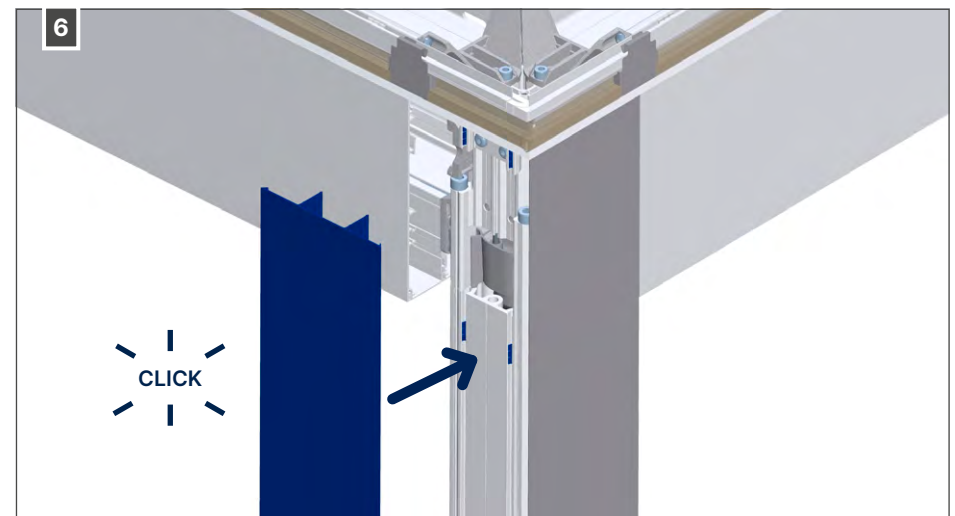
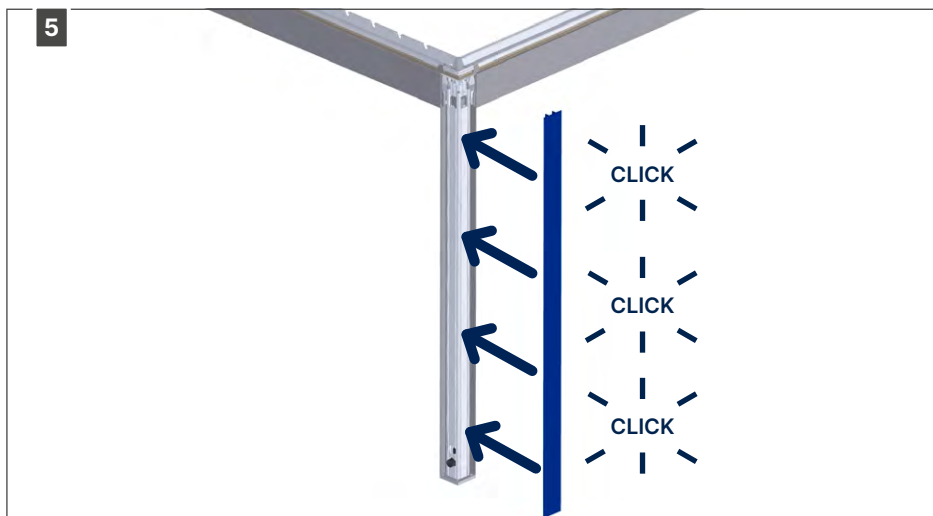
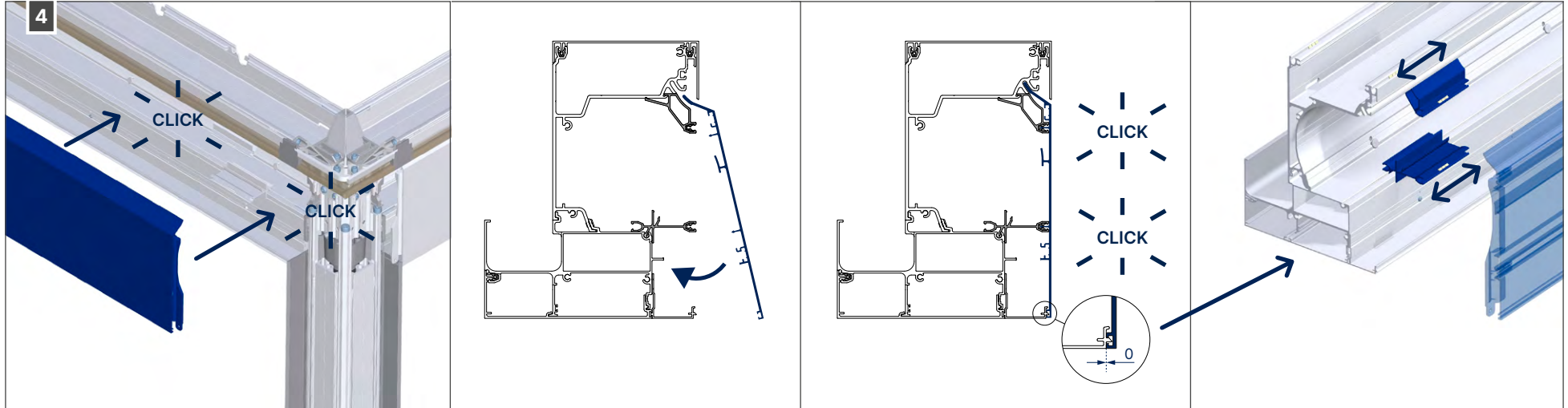
 Install [FIXSCREEN](#) and [POWER SOCKET](#) before fitting column covers and front covers.

2.8 • Installation of column cover and front cover

2.8.1 • L-junction with column

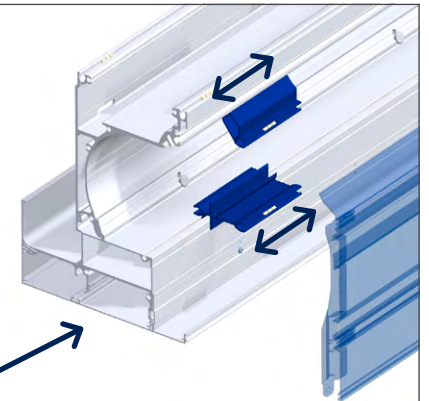
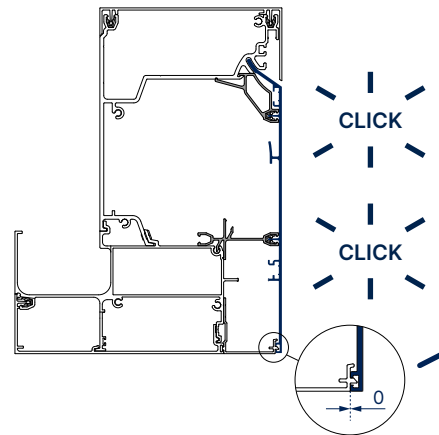
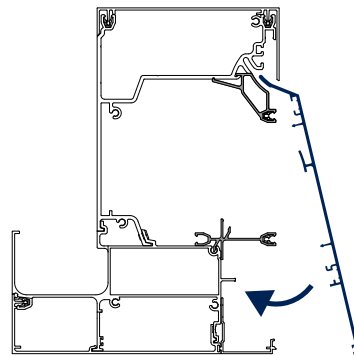
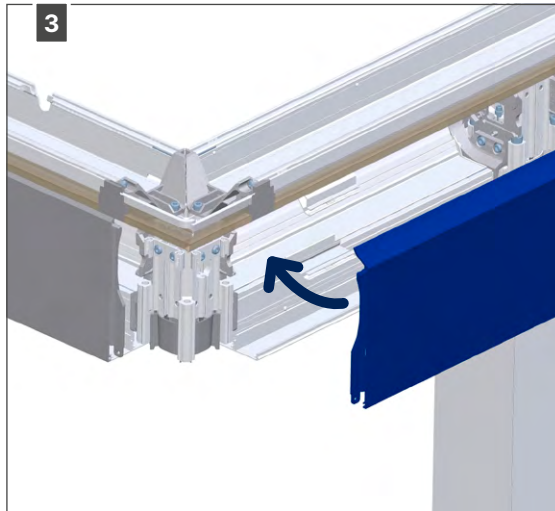
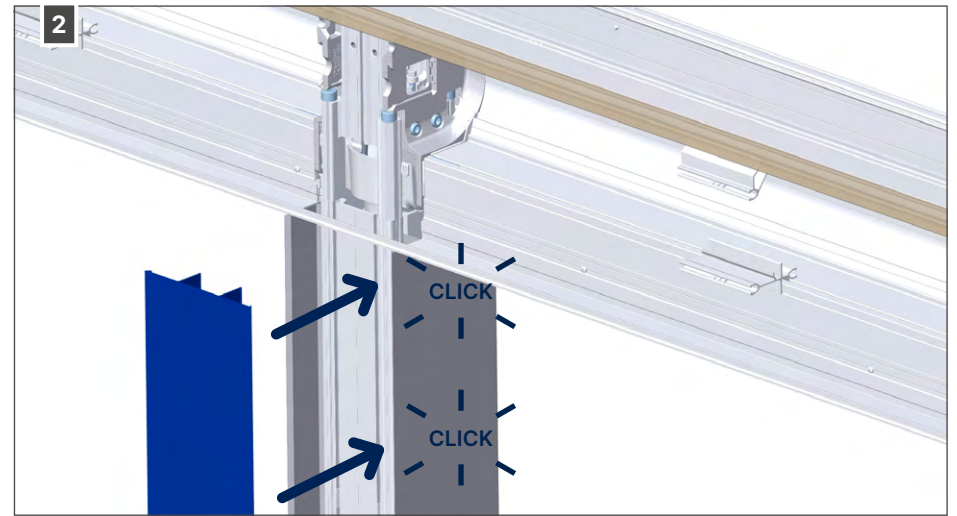
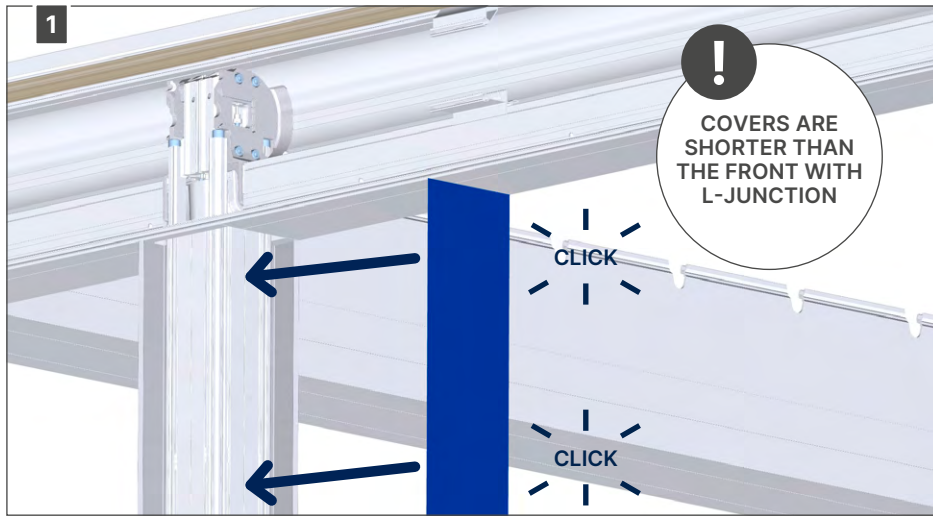


BASIC
CONSTRUCTION



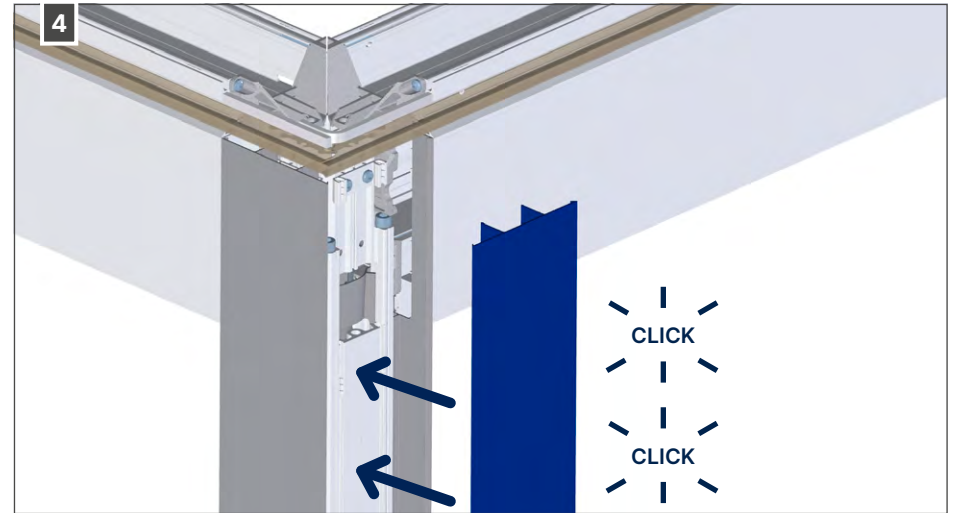
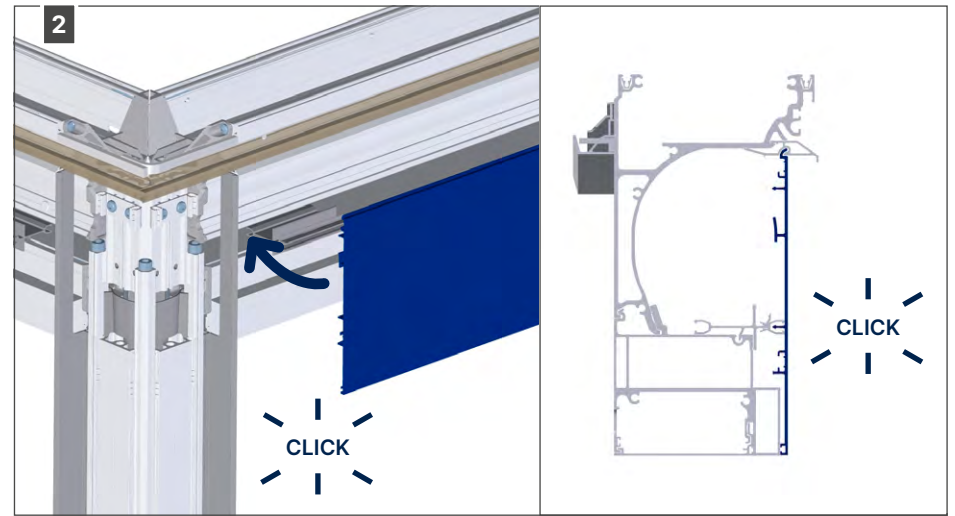
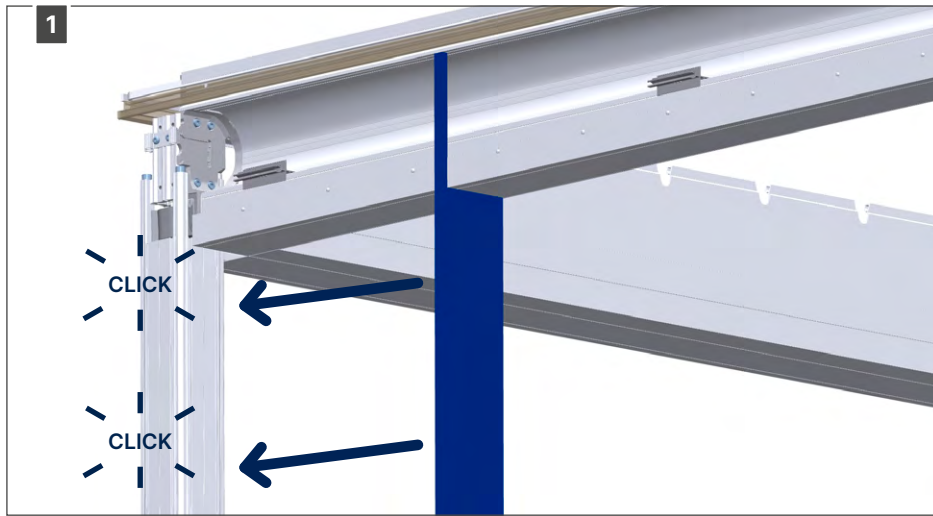
BASIC
CONSTRUCTION

2.8.2 • I-junction with column



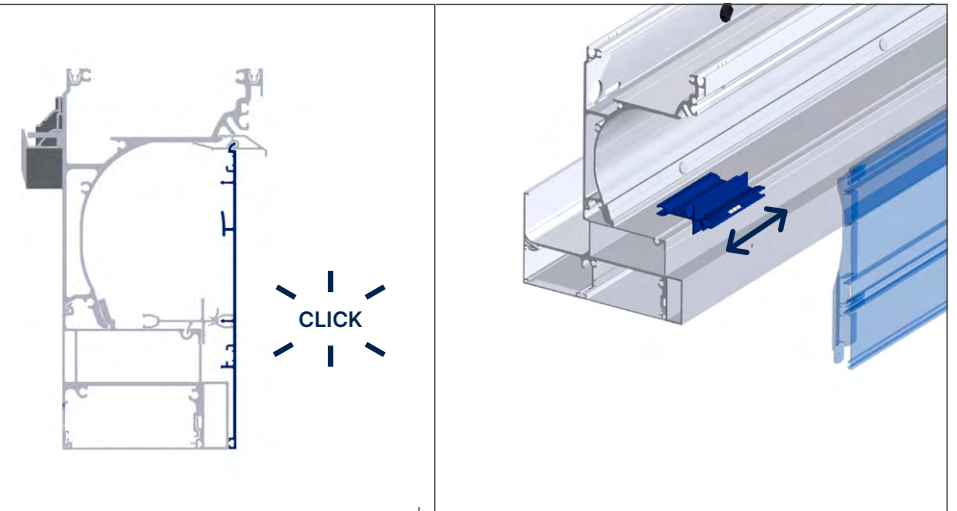
BASIC CONSTRUCTION

2.8.3 • L-junction with column at a recessed front cover



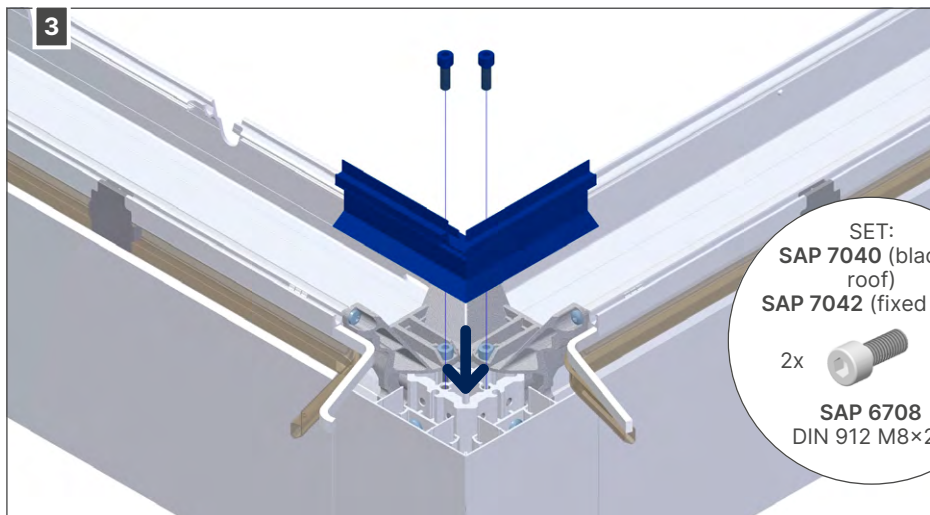
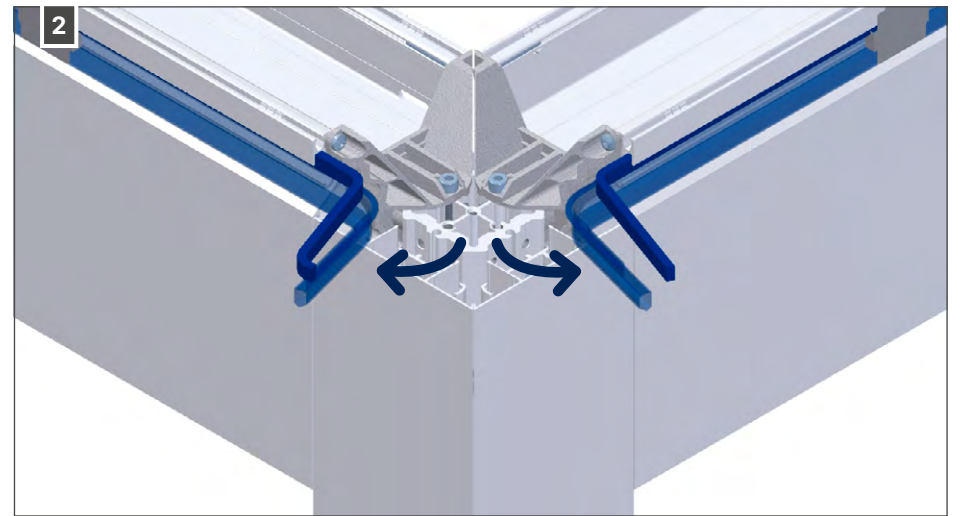
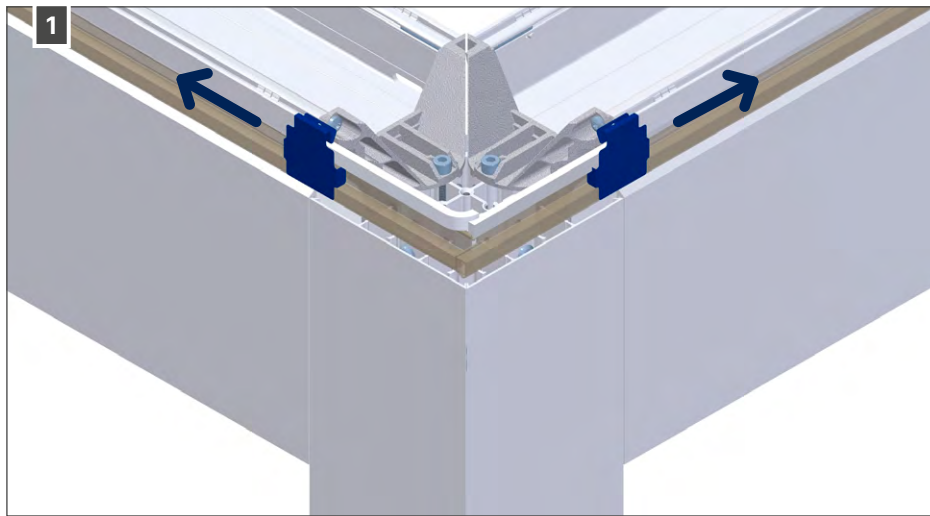
BASIC
CONSTRUCTION

2.8.4 • I-junction with column at a recessed front cover

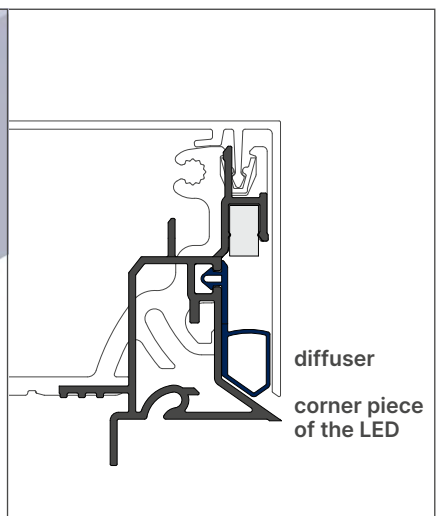
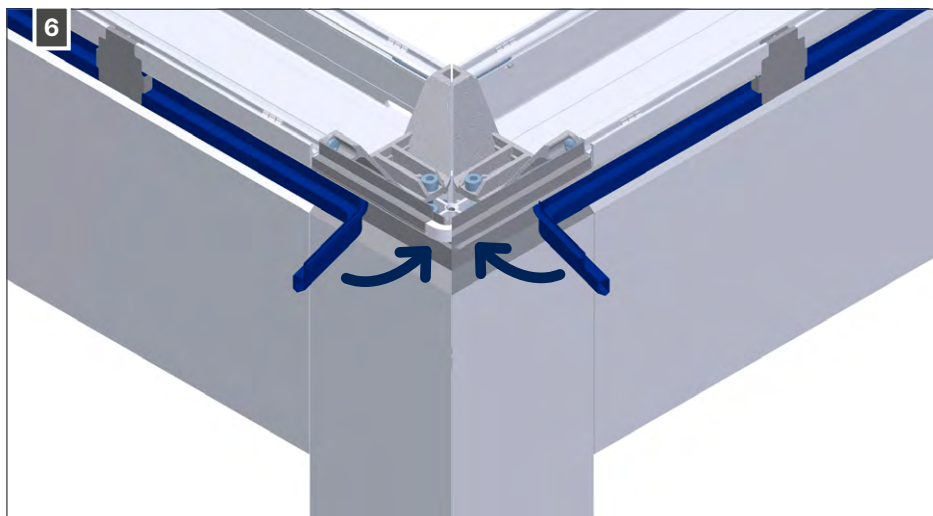
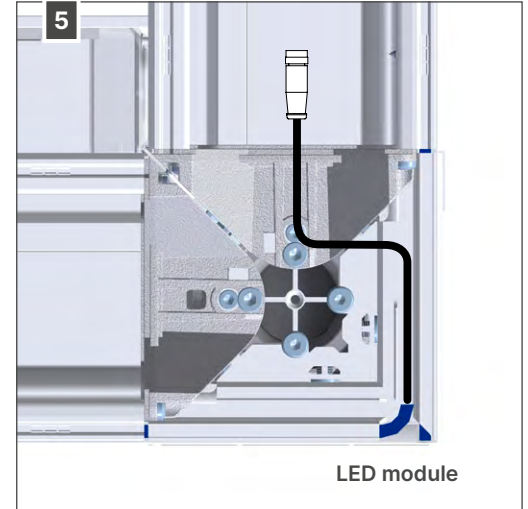
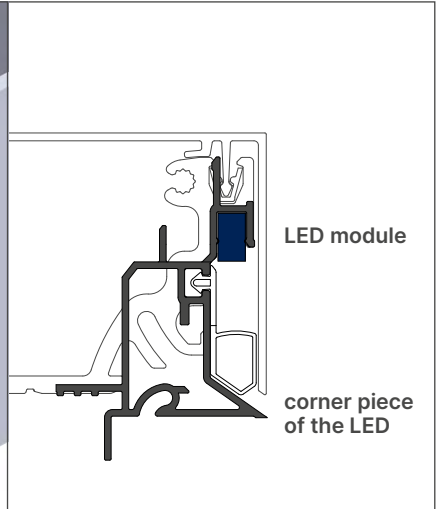
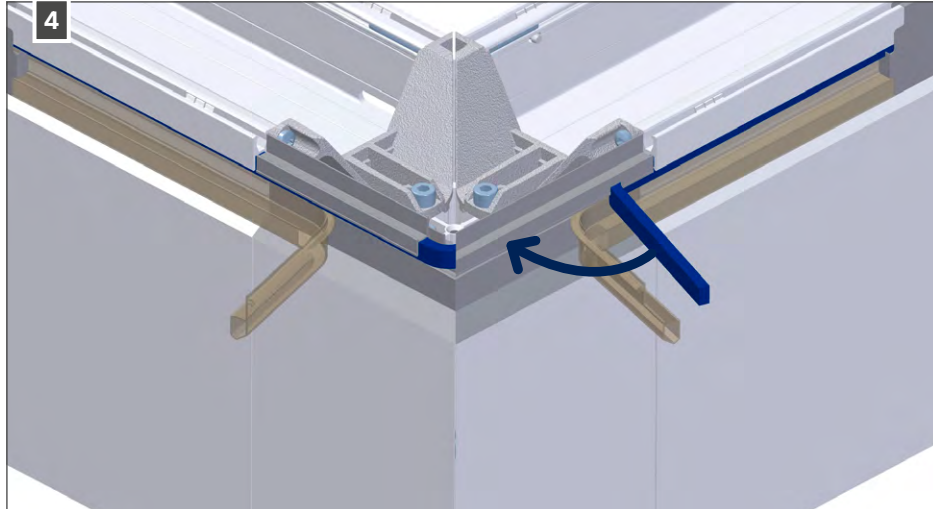


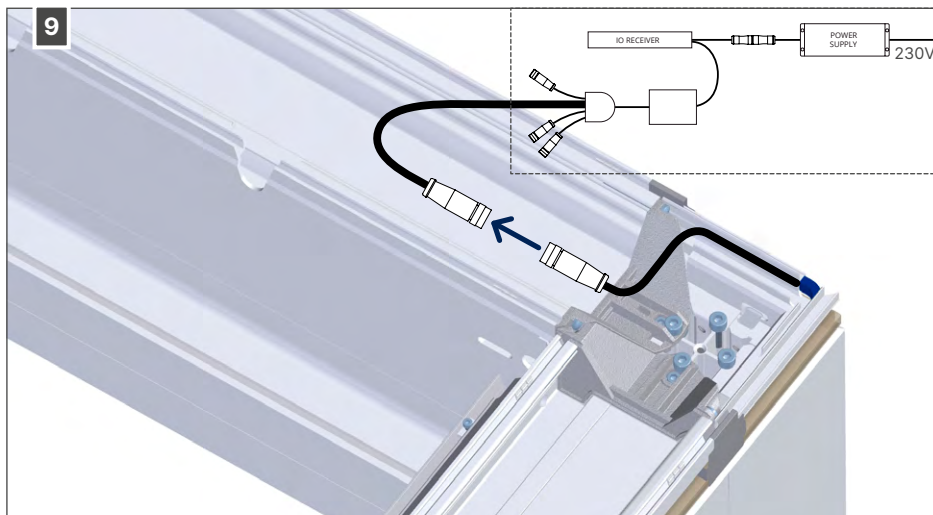
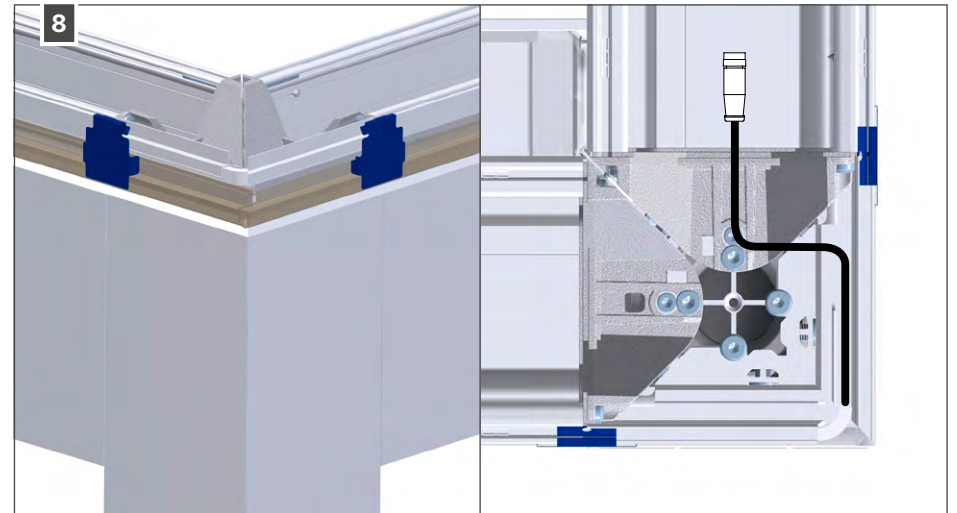
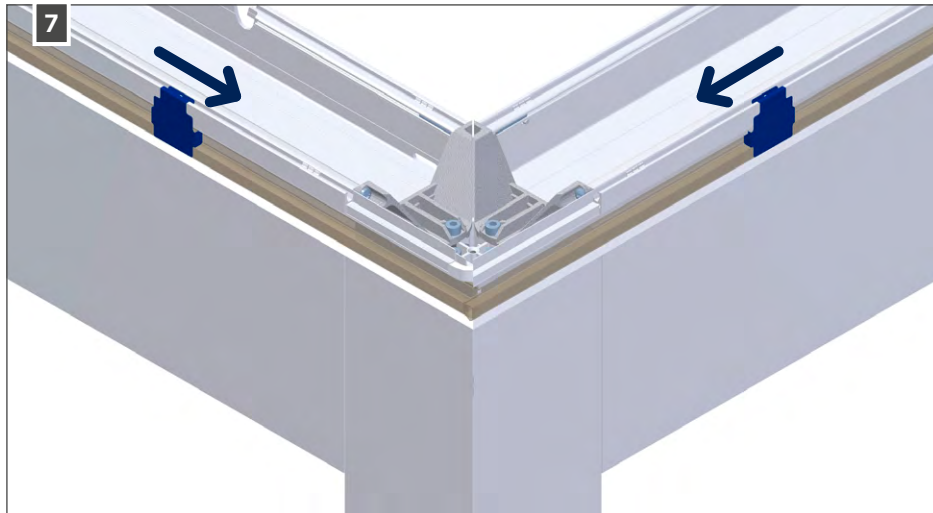


2.8.5 • Installation of the iconic LED lighting



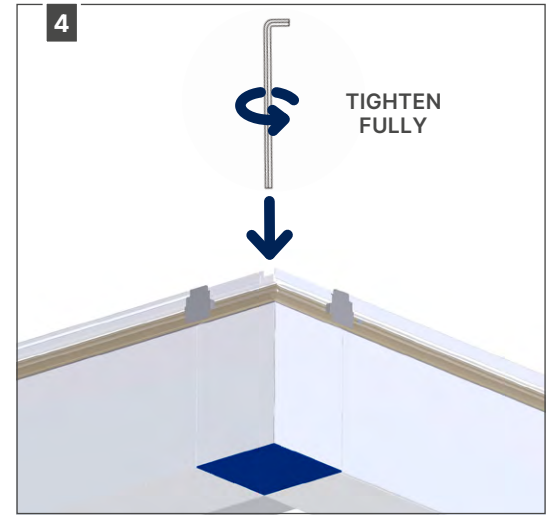
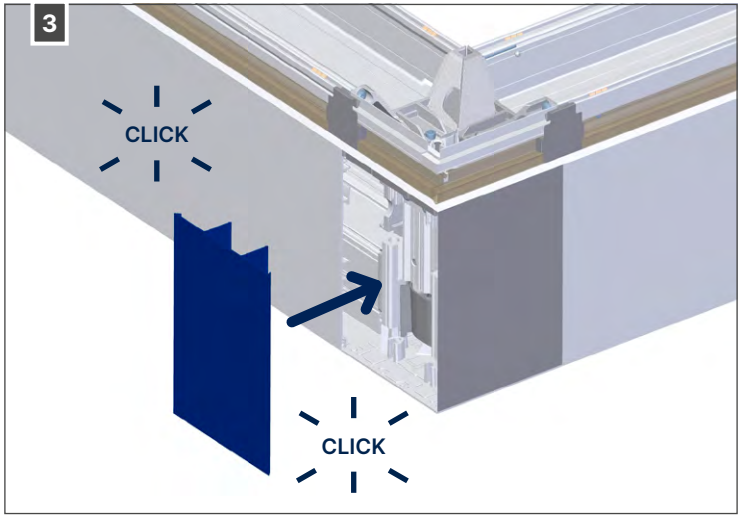
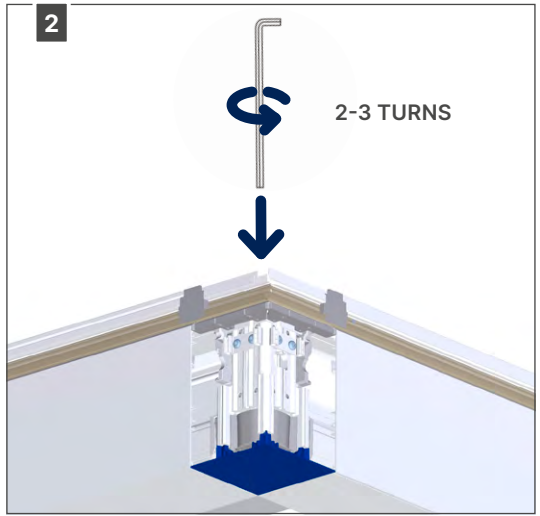
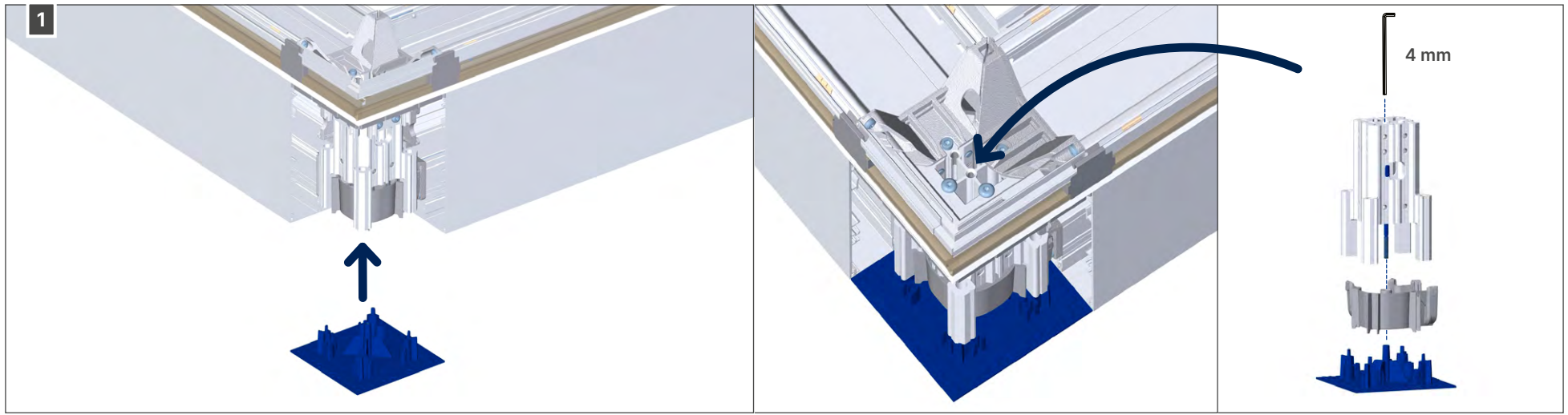
BASIC CONSTRUCTION





BASIC
CONSTRUCTION

2.8.6 • L-junction without column

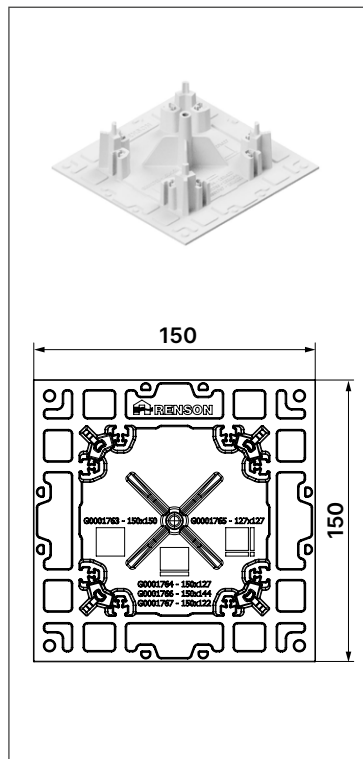


BASIC
CONSTRUCTION

2.8.7 • Base cover plate at L-junction without column

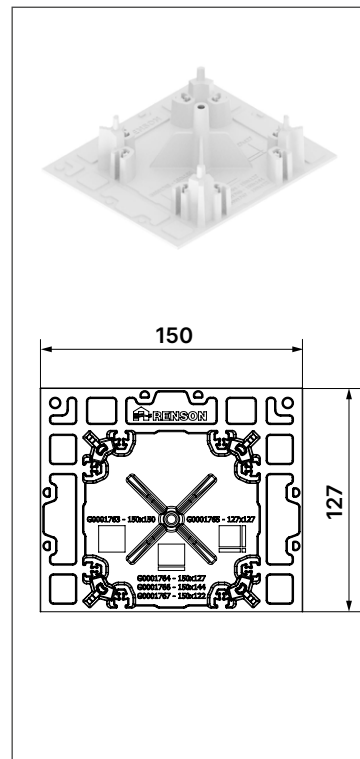
150×150

L-junction
2x standard front cover



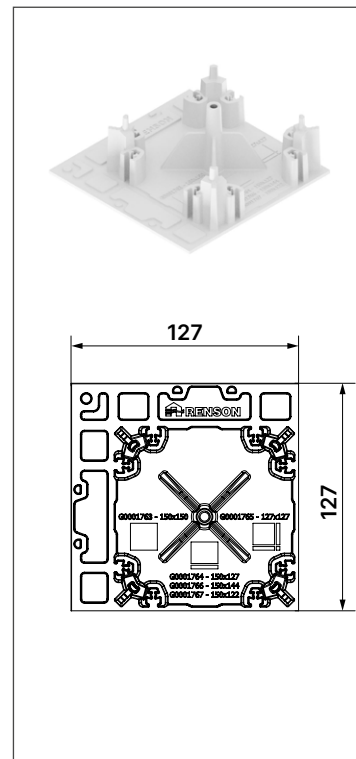
150×127

L-junction
1x standard front cover
recessed front cover



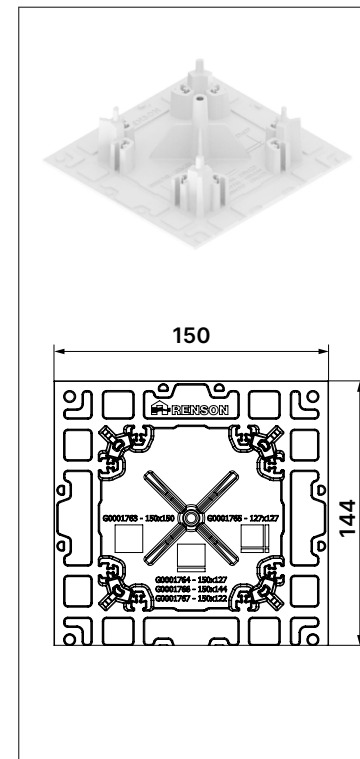
127×127

L-junction
2x recessed front cover



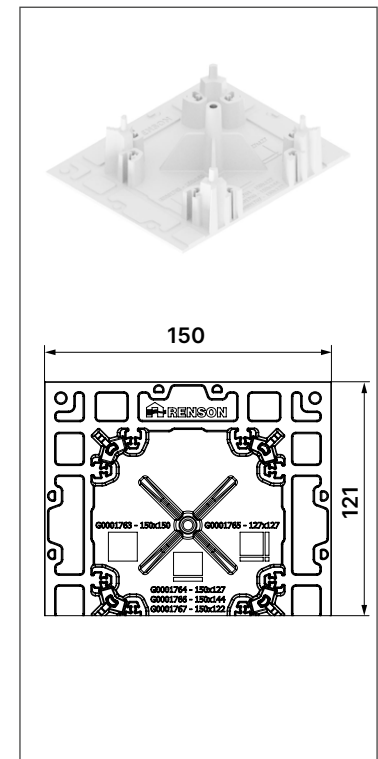
150×144

L-junction against wall
standard front cover



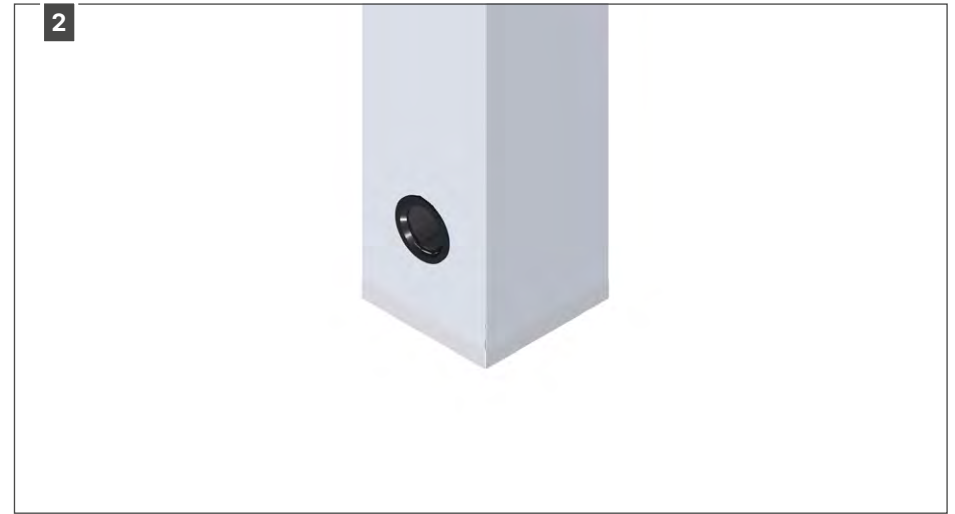
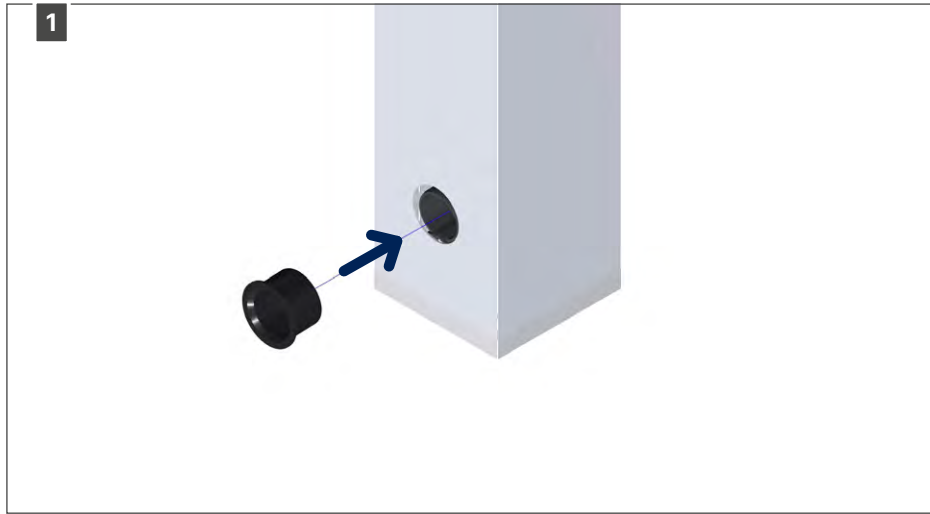
150×121

L-junction against wall
recessed front cover



BASIC CONSTRUCTION

2.8.8 • UPVC finish extraction

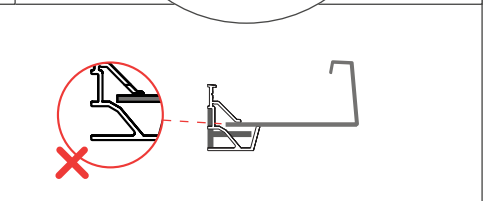
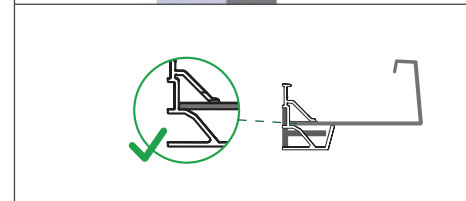
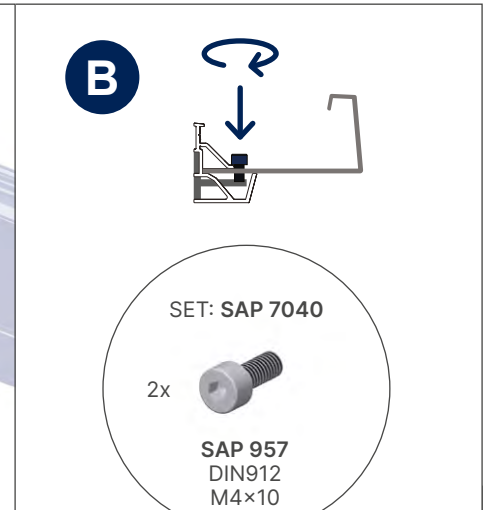
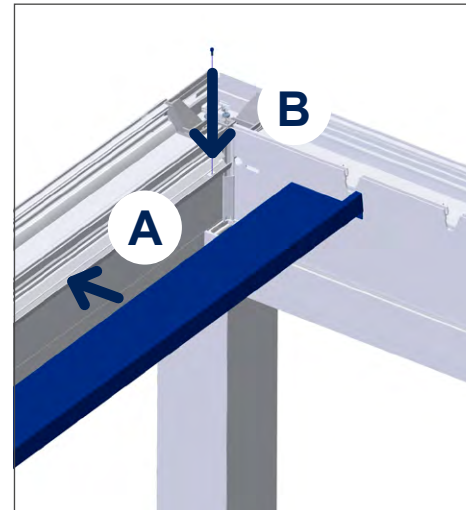
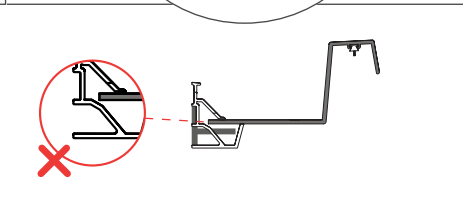
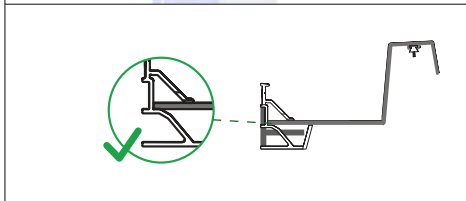
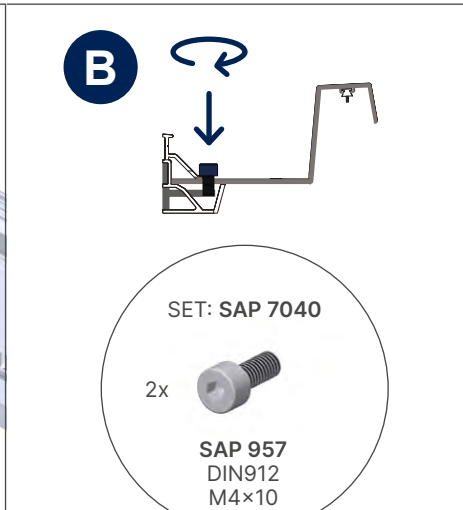
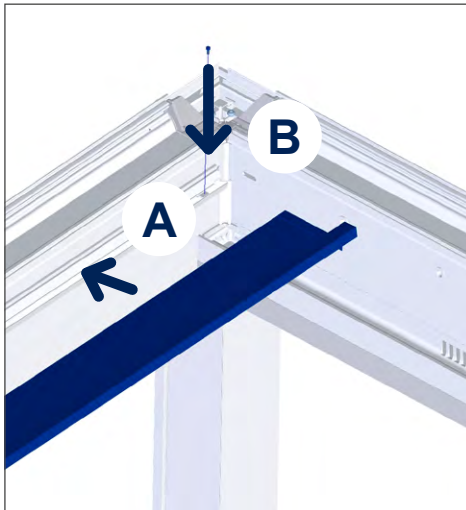
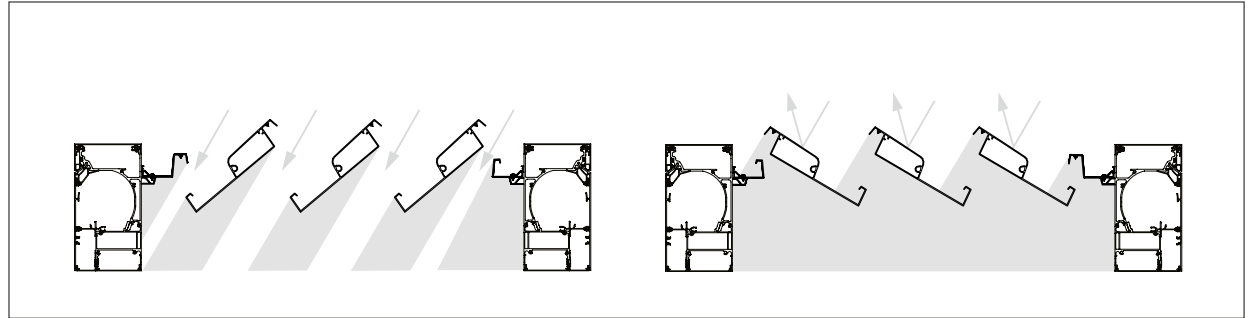


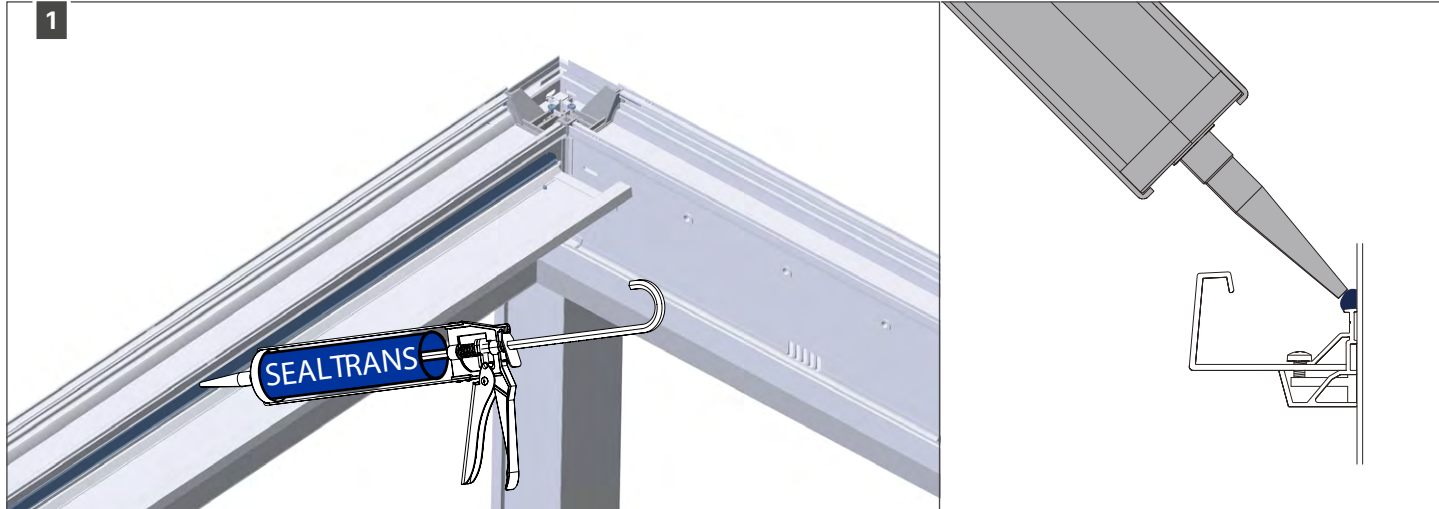


Install [THE FIXED WALLS](#) before securing the roof.

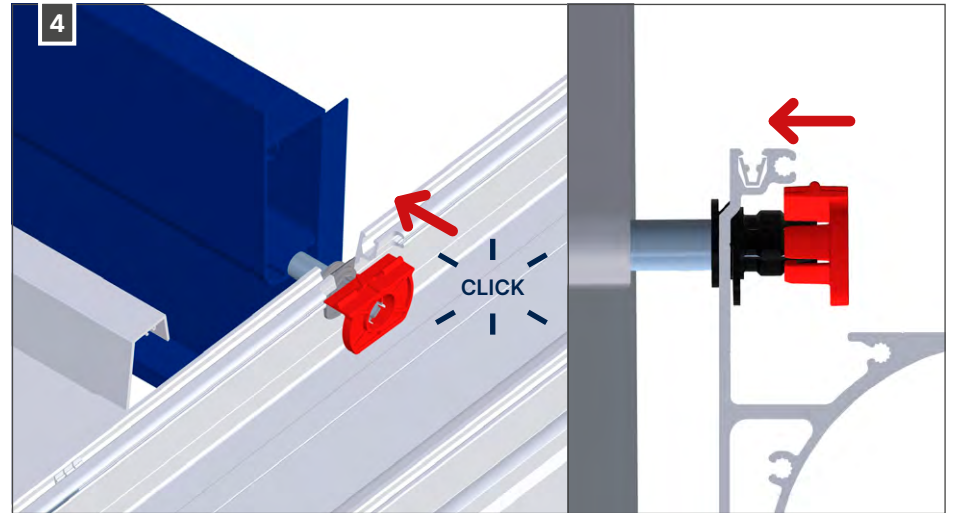
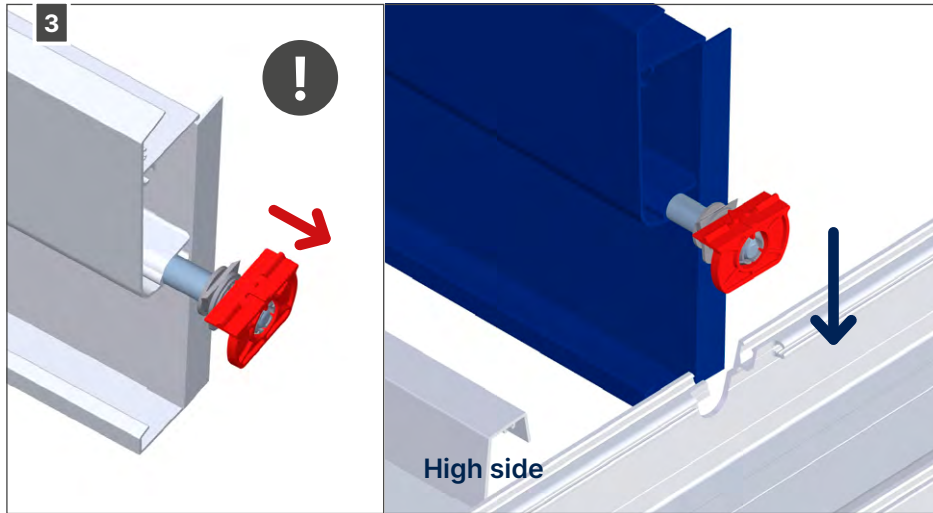
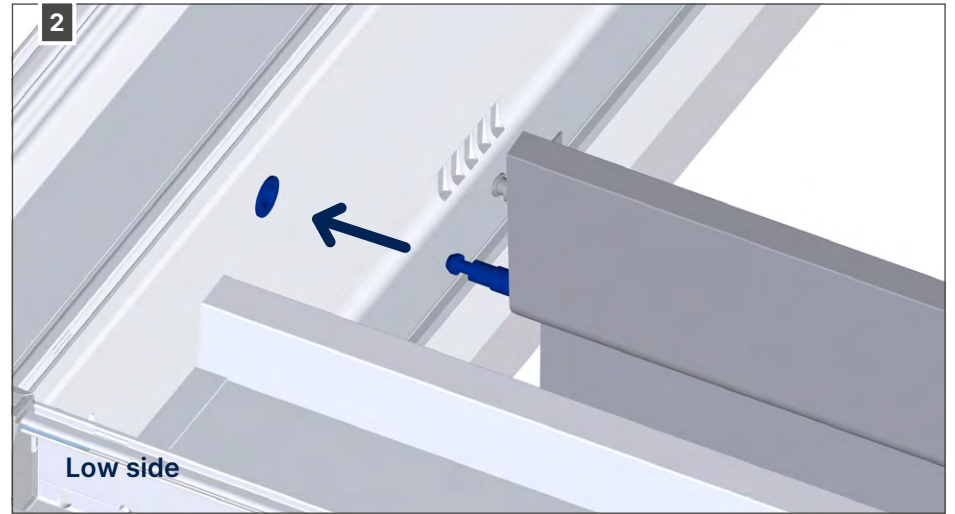
3 • Construction of the roof

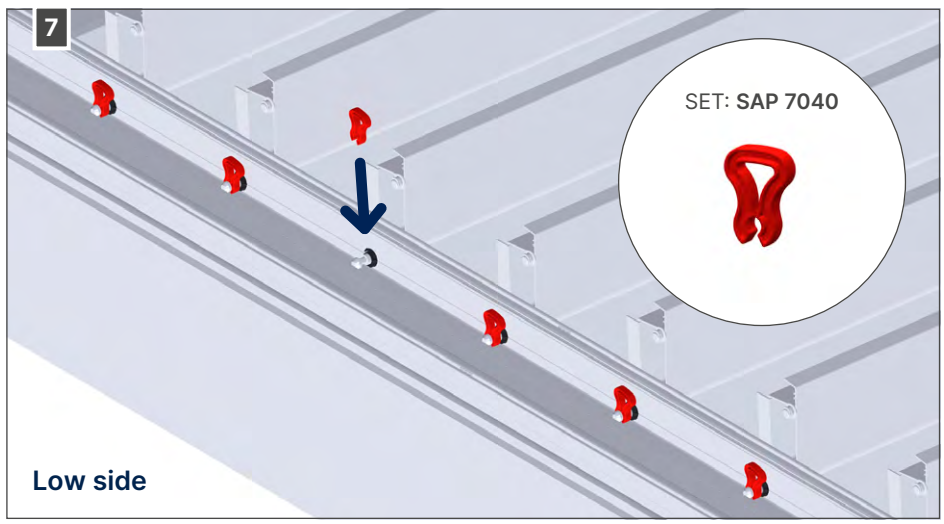
3.1 • Bladed roof



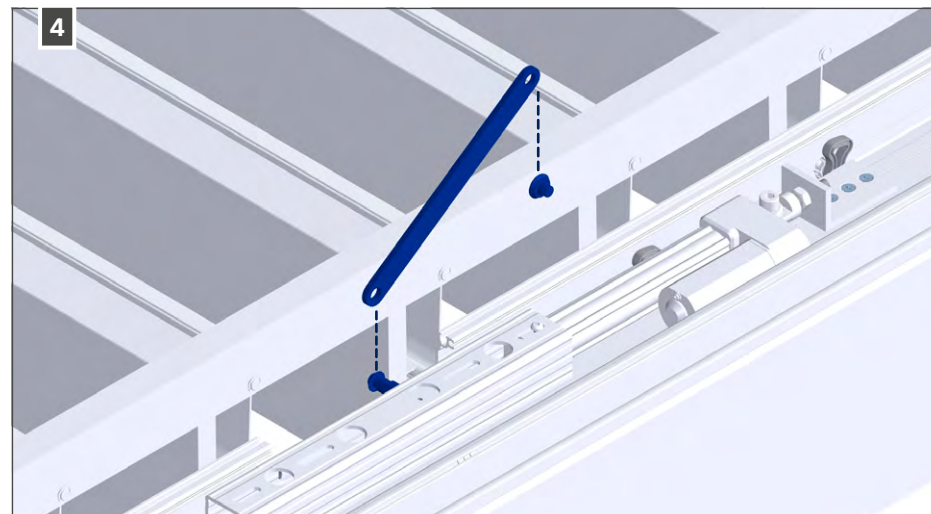
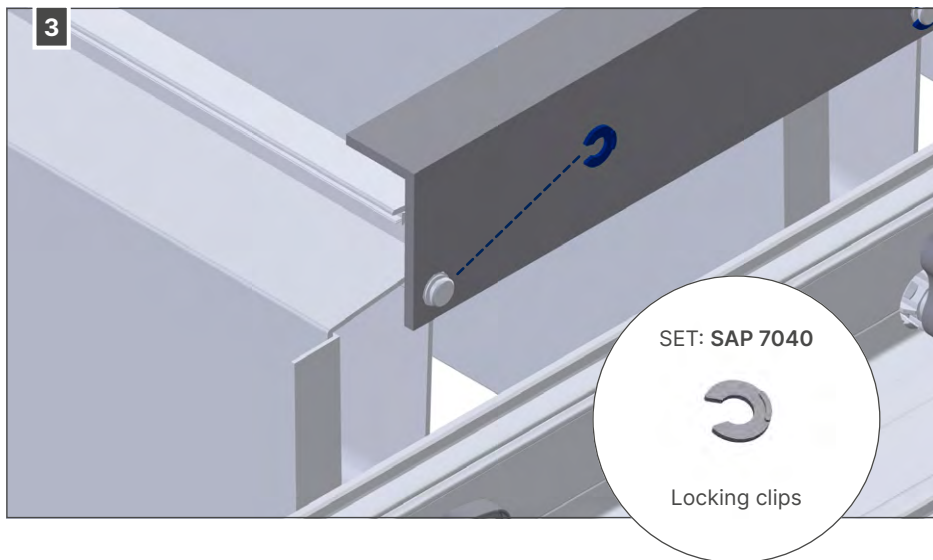
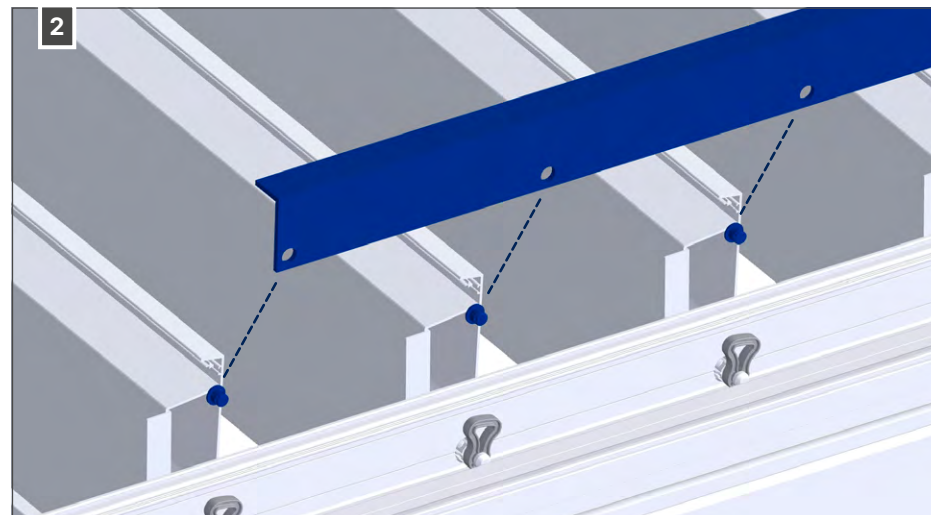
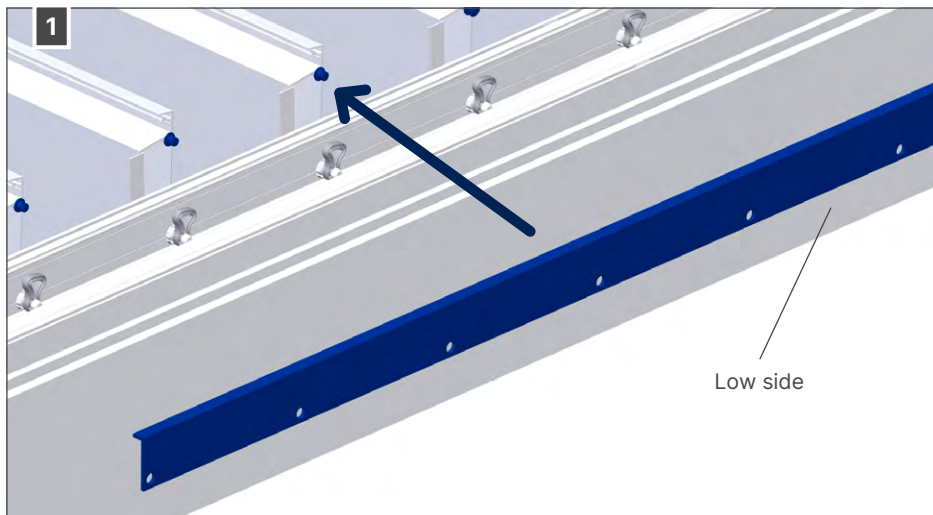


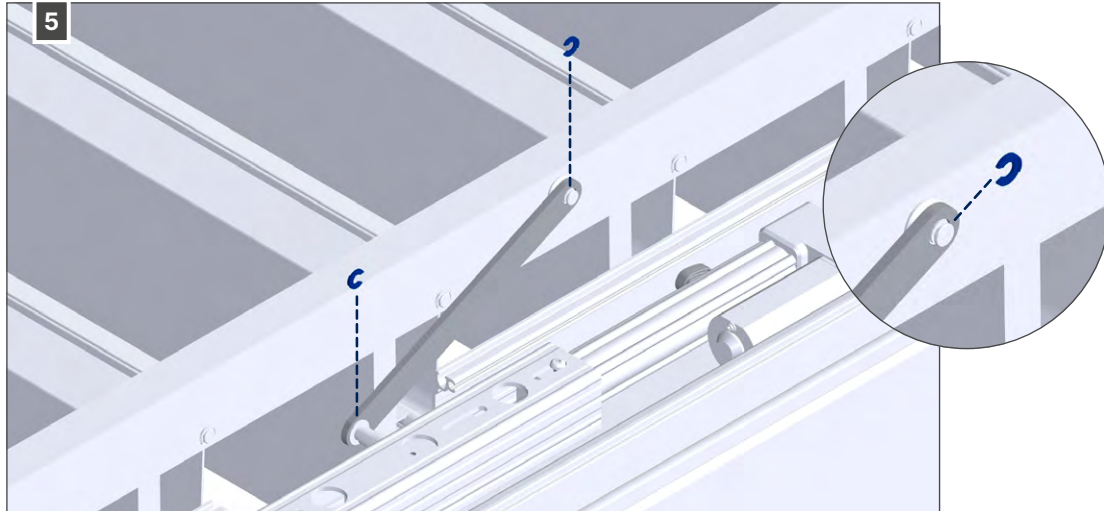
3.1.1 • Fitting the blades





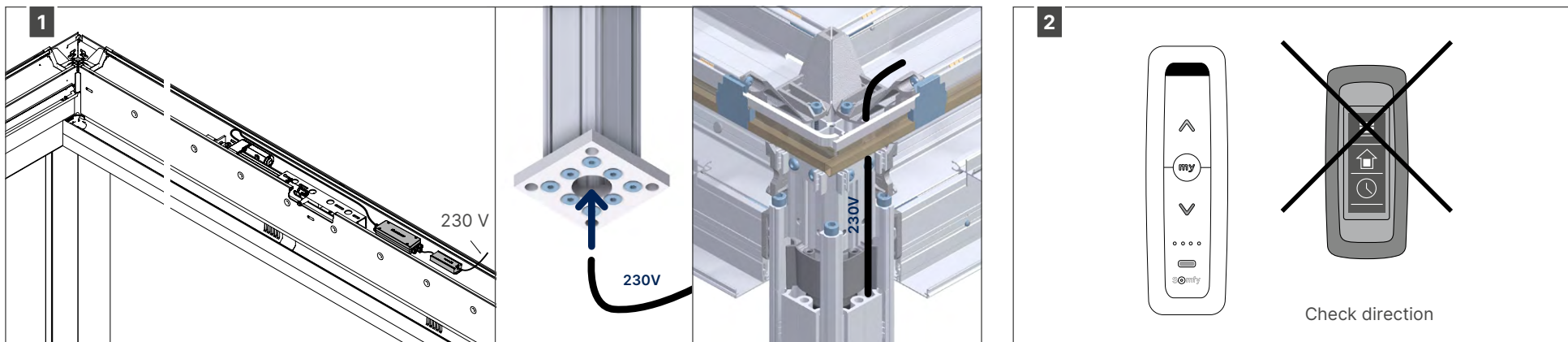
3.1.2 • Fitting the driving profile and drive rod





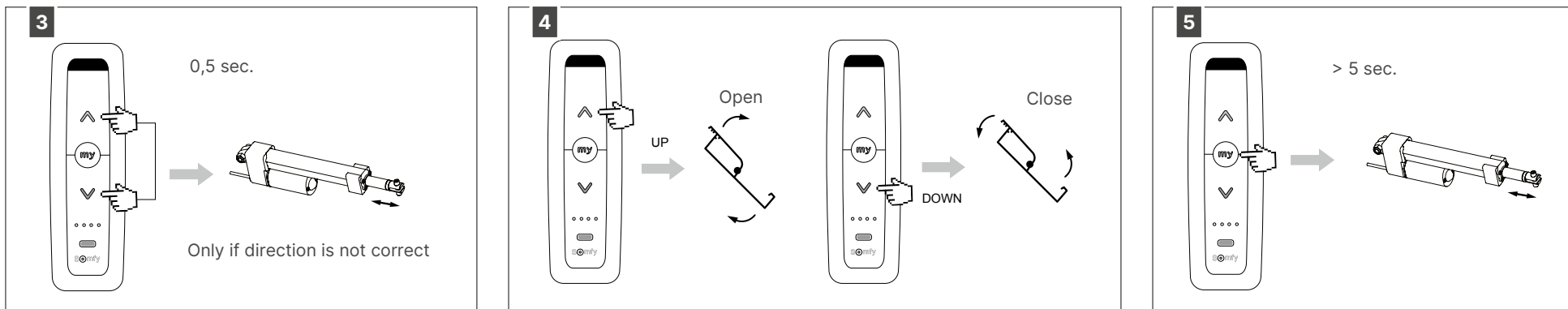
3.2 • Control for the bladed roof

3.2.1 • Setting control for the bladed roof



The motor control and power supply are already connected to the motor. First and foremost, connect the transformer to the main power (230 Volts AC).

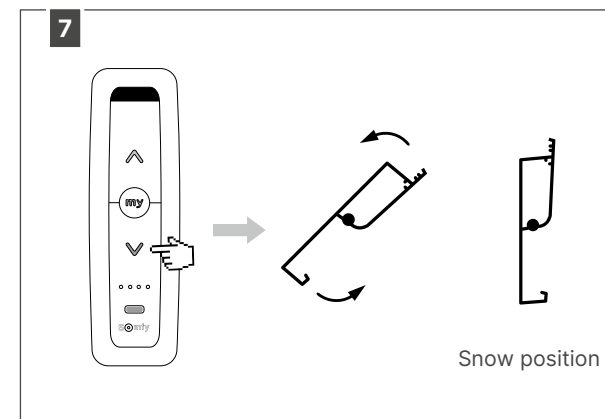
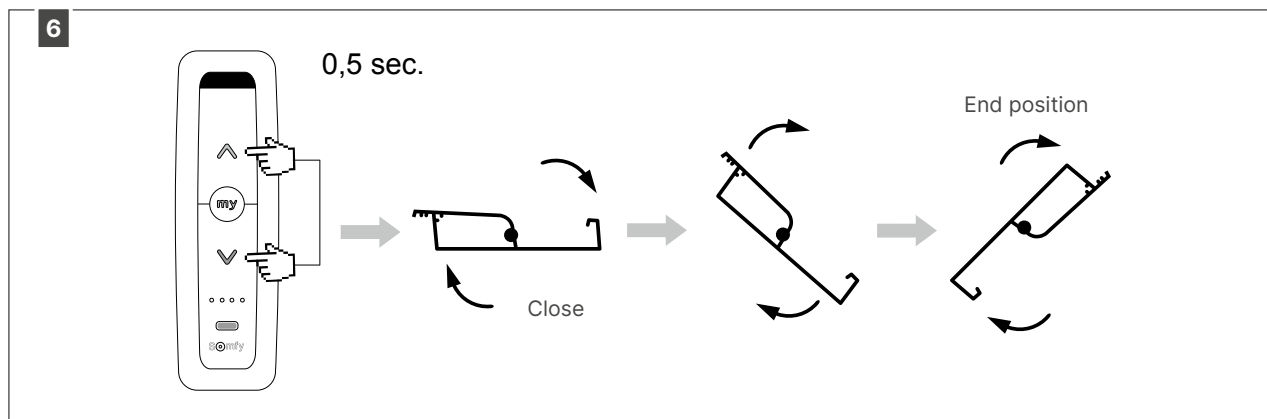
Select the desired channel on the situo io hand-held remote. **Please note:** The Nina remote cannot be used to programme the bladed roof.



Press the UP and DOWN buttons on the remote simultaneously (briefly). The motor drive makes a short outwards and inwards movement for confirmation

Check the direction of the motor. UP button is for opening the blades and DOWN button closes them

If the direction in point 4 is not correct, switch the direction by pushing more than 5 seconds on the MY-button. The motor drive makes a short outwards and inwards movement for confirmation. Check the direction of point 4 again



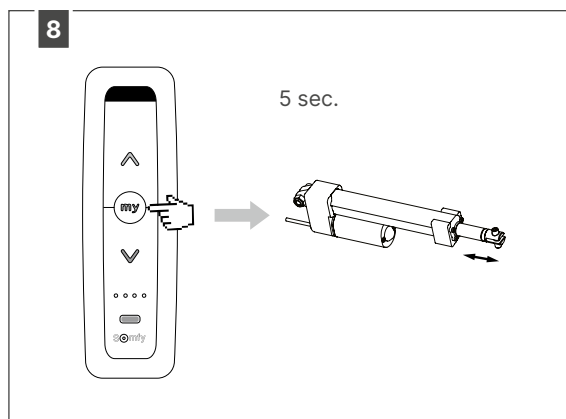
(Briefly) press the UP and DOWN button on the remote simultaneously. The blades will close completely and then automatically open completely (these are the end points).

Please note! Do not interrupt this procedure! The procedure will stop automatically once both end points have been found.

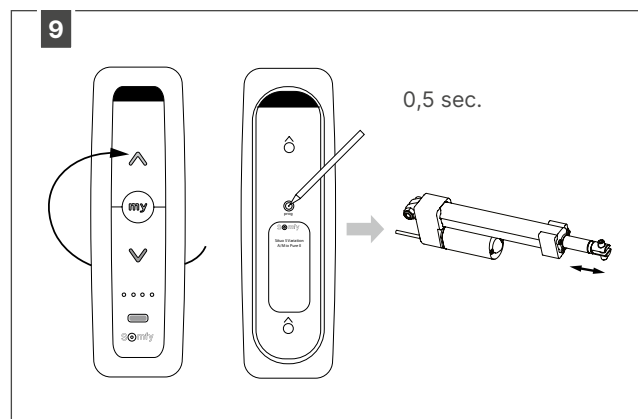
The blades will stay in a completely open position.

Close the blades until they return to a completely vertical position (this is the preferred snow position). To do so, hold down the DOWN button.

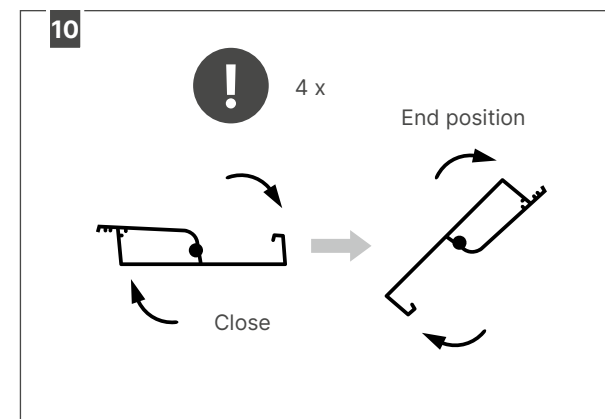
Note: You can still make adjustments using the UP/ DOWN button.



Confirm this vertical position (also referred to as snow position) by continuously pressing the MY button for 5 seconds. The motor drive makes a short outwards and inwards movement for confirmation.



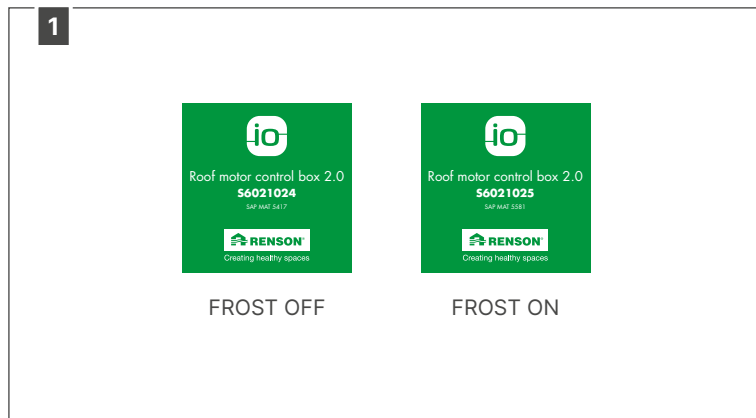
Press briefly on the PROG button on the rear of the Situ io remote, until the drive makes a short outwards and inwards movement. That confirms all settings.



Attention: After setting the control for the louvred roof, it's important to fully open and close the roof 4 times.

If you don't do this, you will have problems with certain intermediate and preferred positions.

3.2.2 • Changing the frost/snow protection function via the Set&Go installation tool



When ordering the product, you were given the option of selecting the motor control with active or inactive frost/snow protection. The item number on the label of the motor control will tell you the factory setting of the motor control;

- S6021024 = INACTIVE frost/snow protection
- S6021025 = ACTIVE frost/snow protection.

You can still change this motor control setting during installation, but you can only do so via the Somfy Set&Go installation tool.

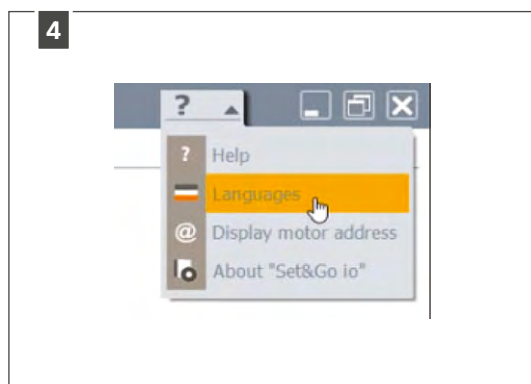


The Set&Go installation tool must be purchased optionally (can be order in Rio). You can download the accompanying program free of charge using the following link:
<https://setgo.somfy.com//>



Connect the Set&Go tool to your Windows PC using the USB cable supplied.

Start up the Set&Go programme.



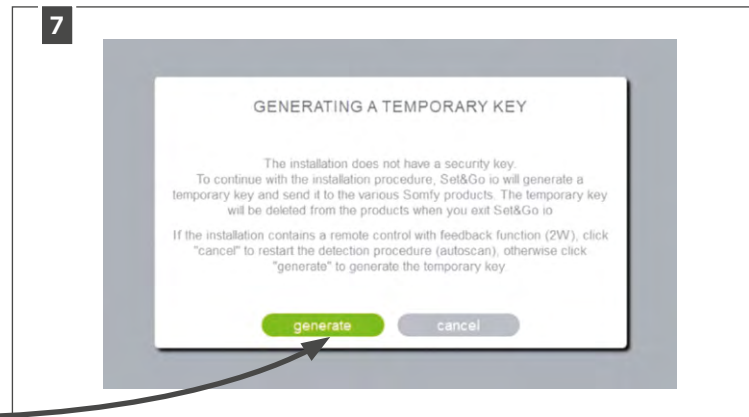
You can set your preferred language using the 'question mark' symbol in the top right-hand corner



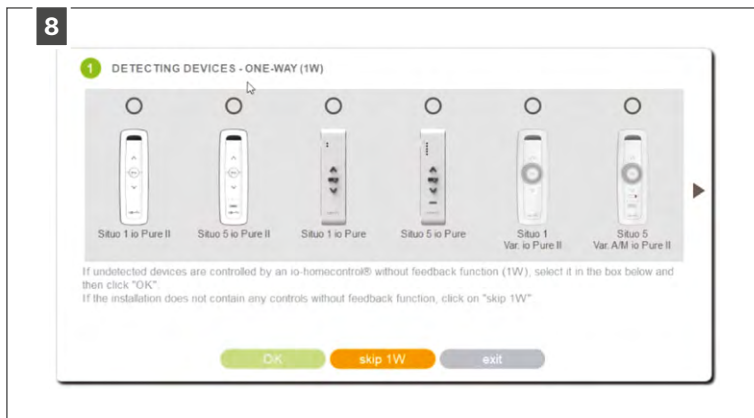
Click 'Autoscan' to detect devices.



If your devices are already connected using a two-way remote (Nina, Tahoma), you can select this two-way remote.

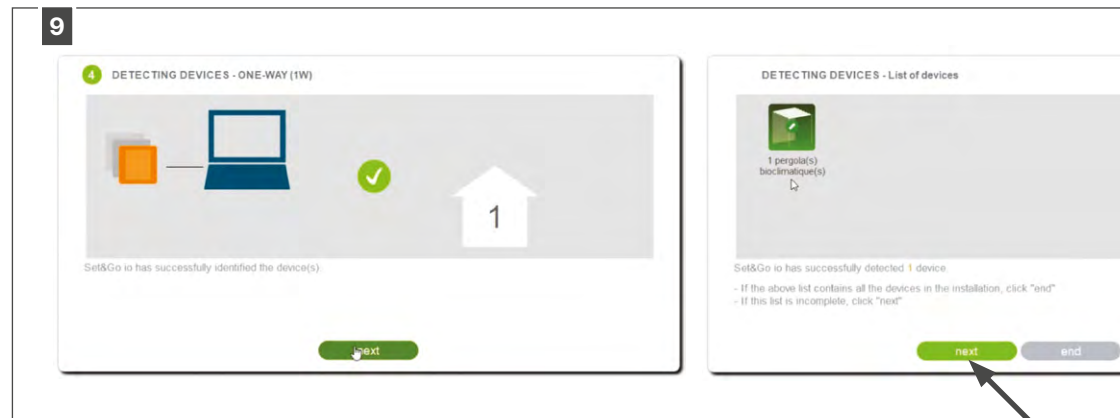


Skip this step if no two-way remote is connected. If you are not using a two-way remote, you will need to generate a temporary key. Click 'Generate' to do so.



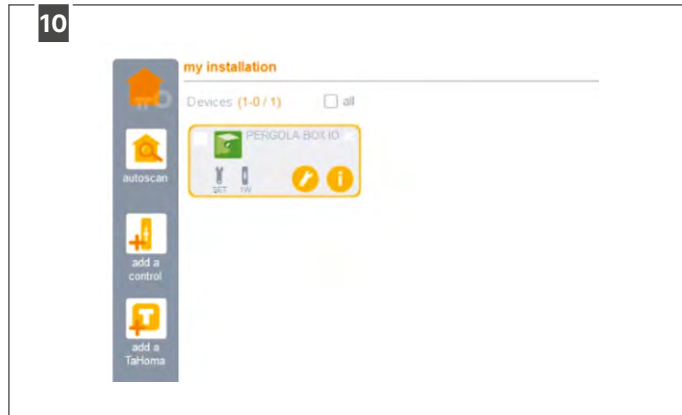
You will now be able to select your connected 1-way remote (Situ).

Follow the instructions on the screen.

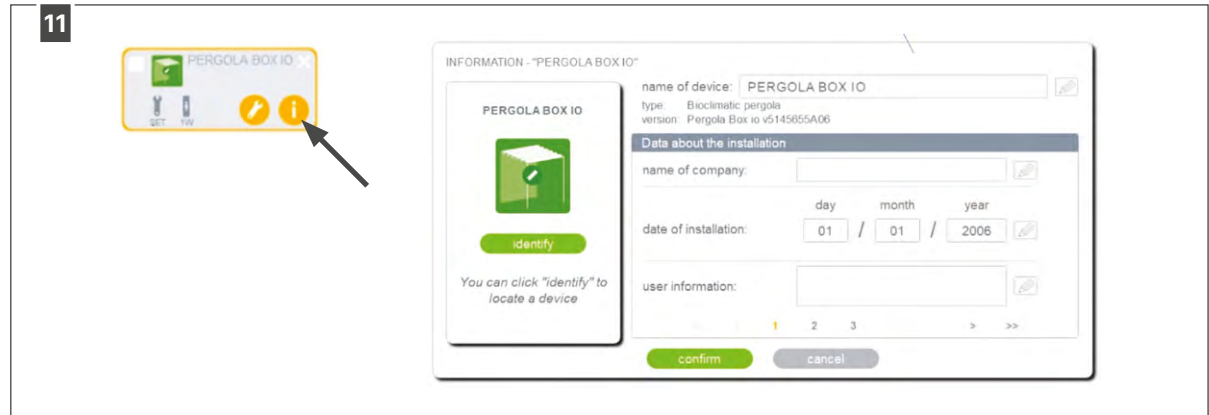


The programme will now search for devices. The number of devices found will appear on the screen. Next, click 'Next'. This will take you back to the main menu.

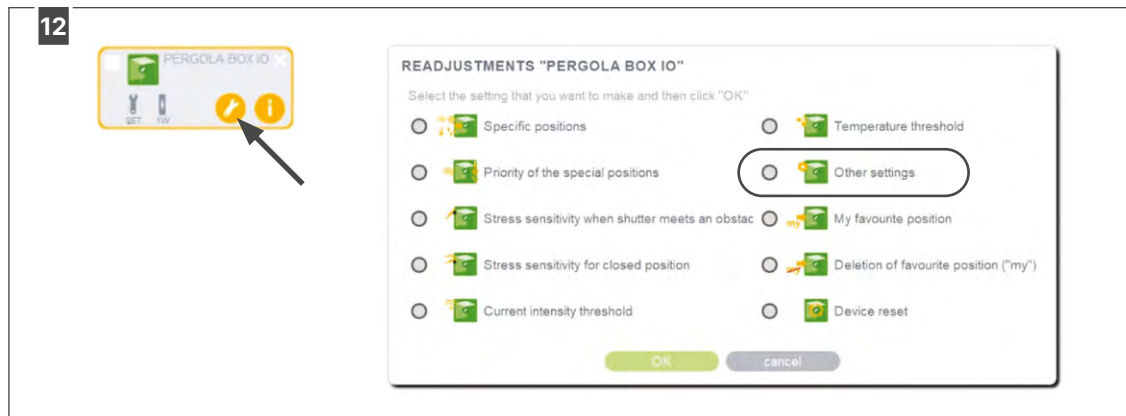
Please note: if no devices were found or if the list is incomplete, simply repeat the previous steps.



Once back on the main menu, you will see a clear overview of all devices found.
The icons near each device show whether the device has already been set up (SET) and whether a remote has been connected (1W, 2W).

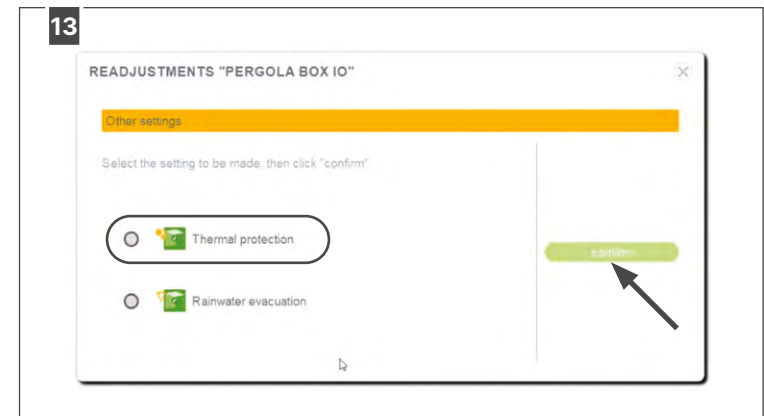


You can see the specifications for each device via the information button ('i' icon).
These details consist of three pages (indicated at the bottom by 1/2/3).
You can use this menu to assign a name to the device, view the connected remotes etc



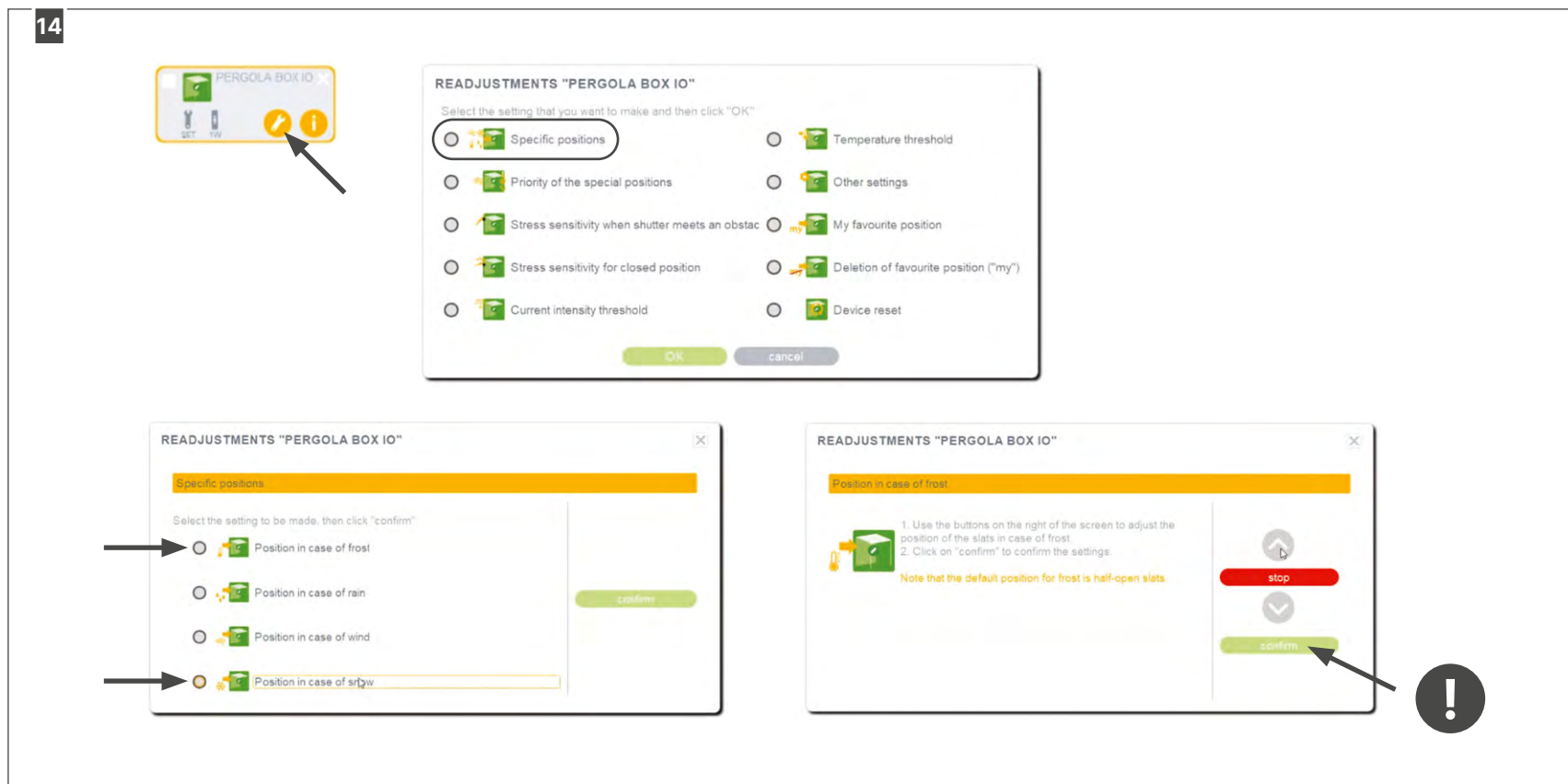
Using the settings button (spanner icon), you can view the settings of the Pergola Box IO.
Under the 'Other settings' section, you can turn the frost/snow protection on and off.

Please note: If the device has not yet been set up, this needs to be done first.
You can do so by following the steps on the screen, or by setting it up using the remote.
You will only be able to see the ten sections with settings options after you have done so.



Select 'Thermal protection' and click 'Confirm'.

14



Under the 'specific positions' section, you can set the required position in case of frost and snow.
 Go to the required blade position using the up/down buttons on the remote.
 Don't forget to confirm (2x) using the green button; if you do, the setting you selected will not be stored.

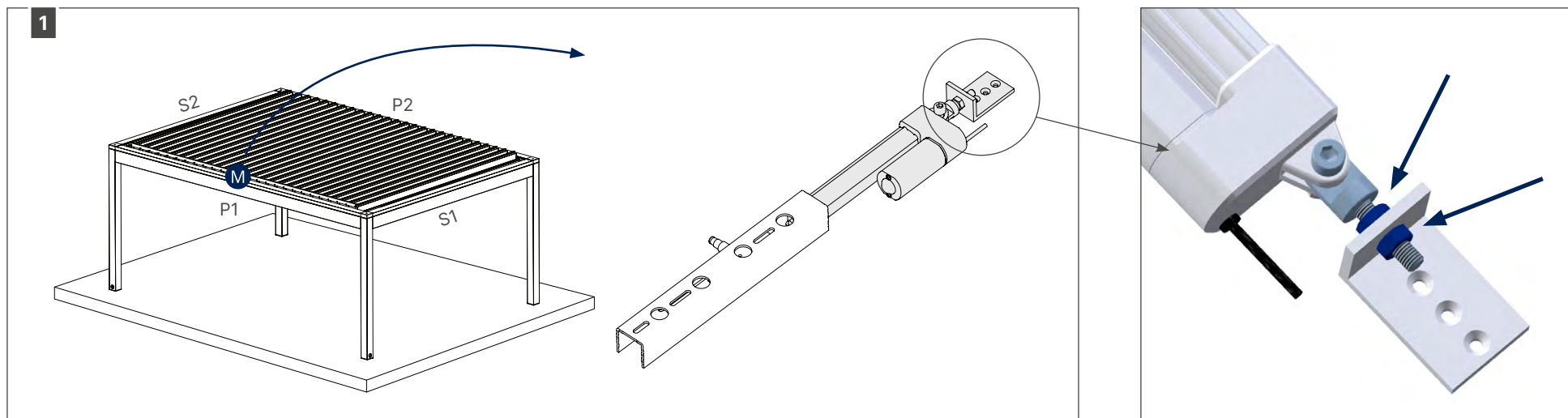
Tip:

- Frost position recommended by Renson: leave the blades open slightly (5 to 10°) to prevent them from freezing shut.
- Snow position recommended by Renson: 90° vertical.

Please note:

It is not possible to check the positions you've set. The only way to be certain is to set them again.

3.2.3 • Drive fine adjustment + securing the drive



The position of the blade drive is adjustable if the blades are under too much tension or are not closed completely after closing,

You can adjust it using the motor-position fine adjustment, namely by moving the M10 nuts in the desired direction. To do this you need to unscrew the drive mounting bracket a little.

3.2.4 • Returning the motor control to factory settings

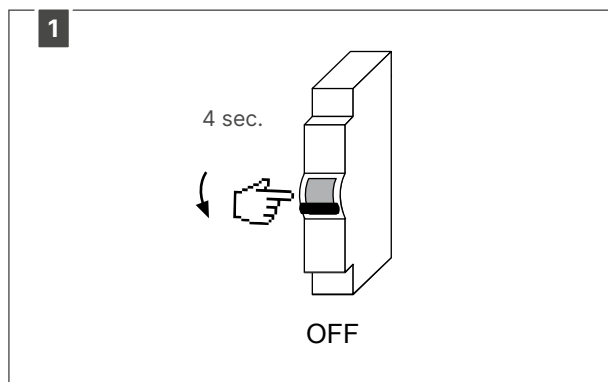
Attention!

When doing the reset below all other connected io-products on the same fus will also be reset!

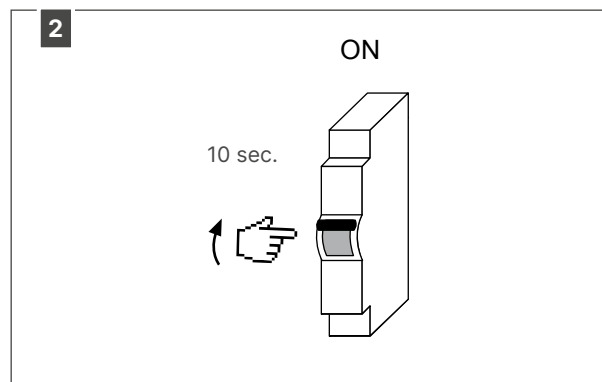
If necessary, disconnect the other connected products first (led, Fixscreen, heating).

If the control has already been programmed into a Tahoma or Nina, it will also be deleted here.

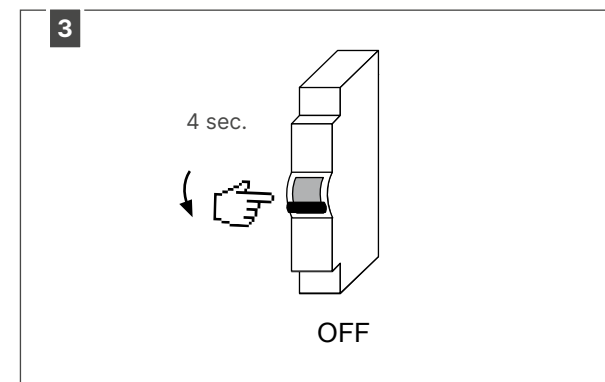
You can do a reset of the motor controller as follows:



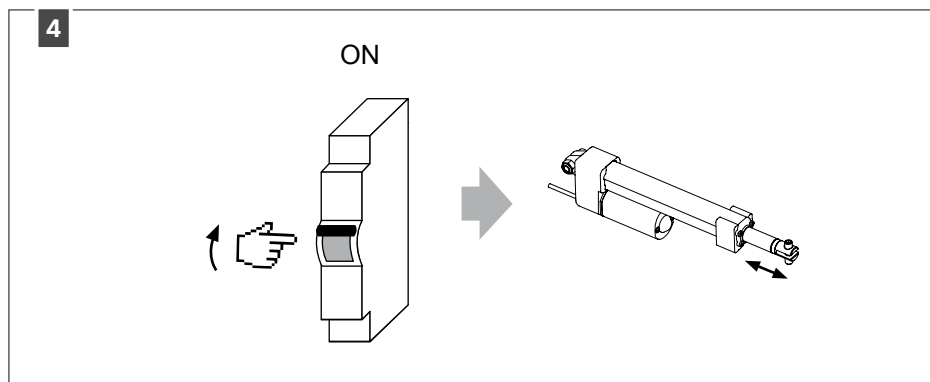
Switch off the power 230V for 4 sec.



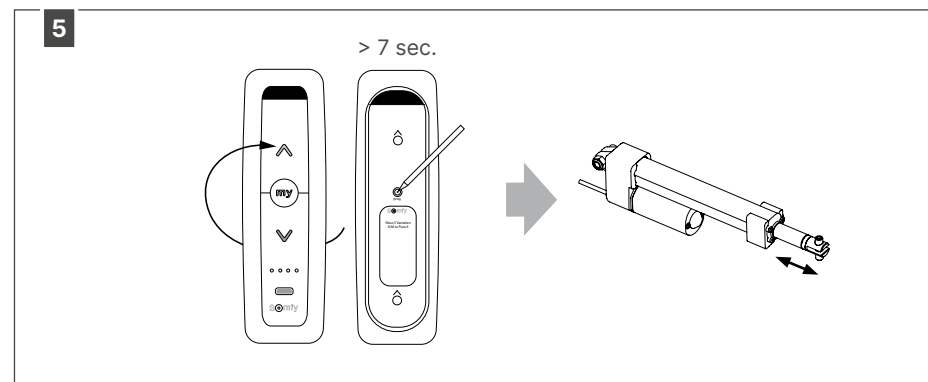
Switch on the power 230V for 10 sec.



Switch off the power 230V for 4 sec.



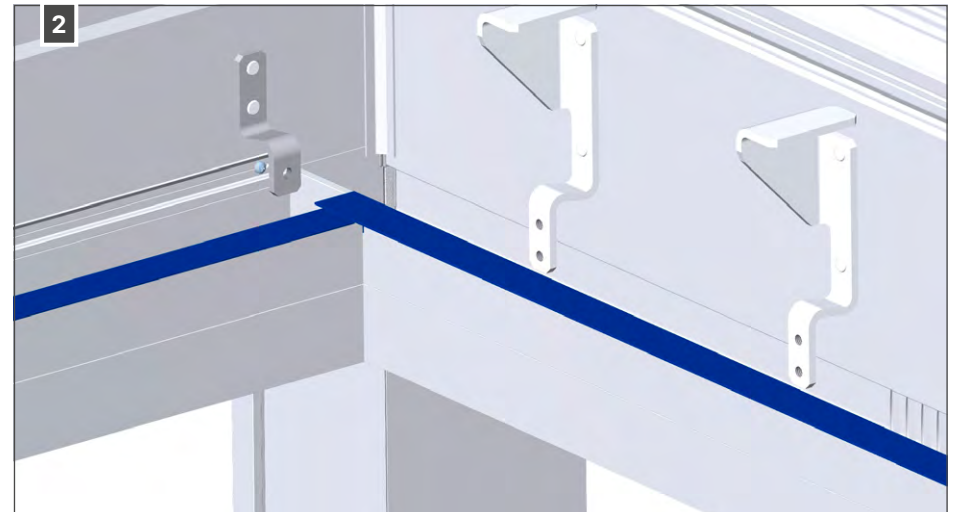
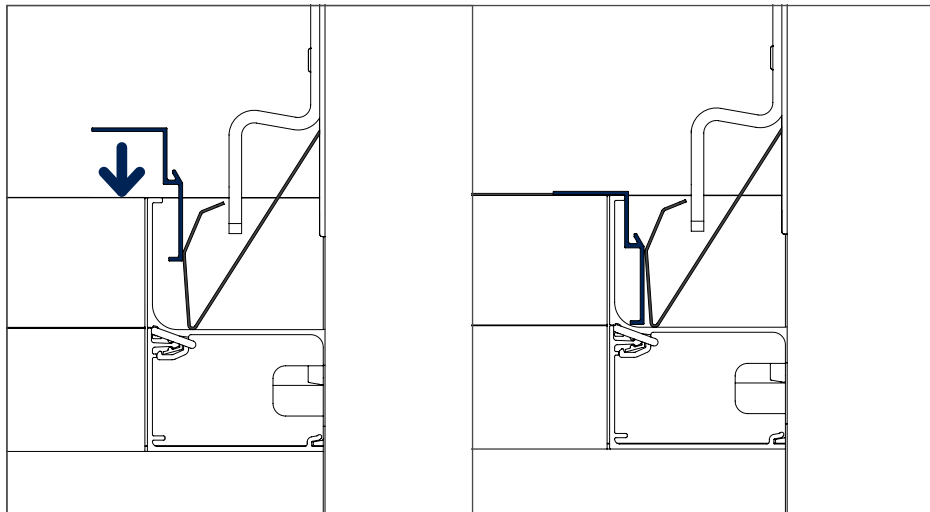
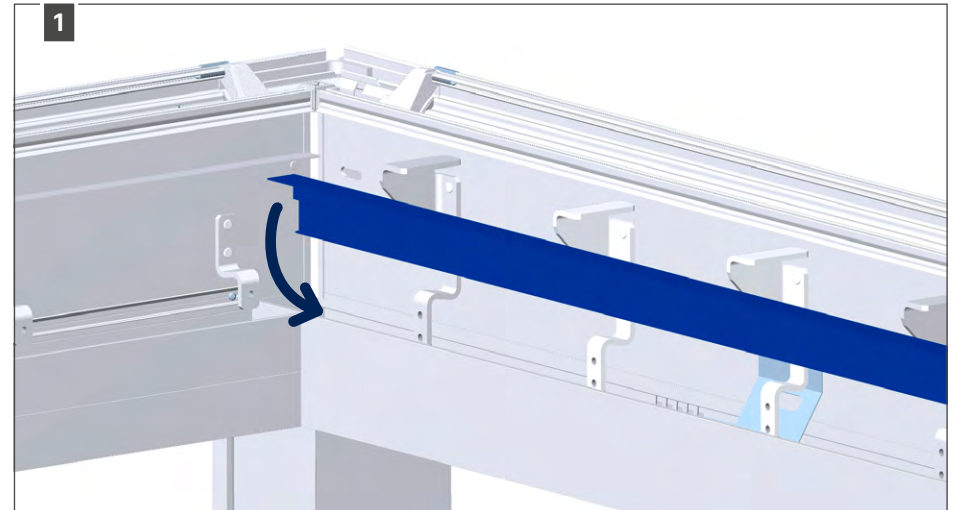
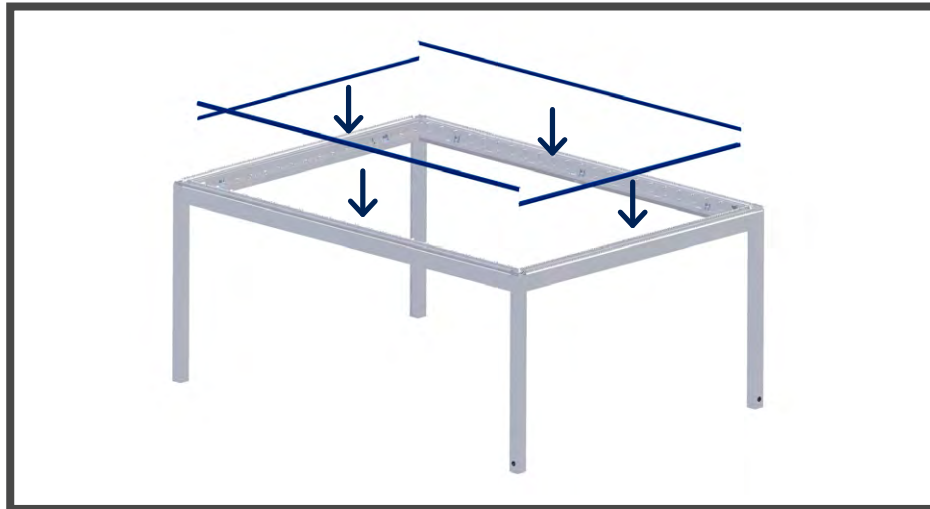
Switch on the power 230V.
To confirm, the motor makes a short inward and outward movement.



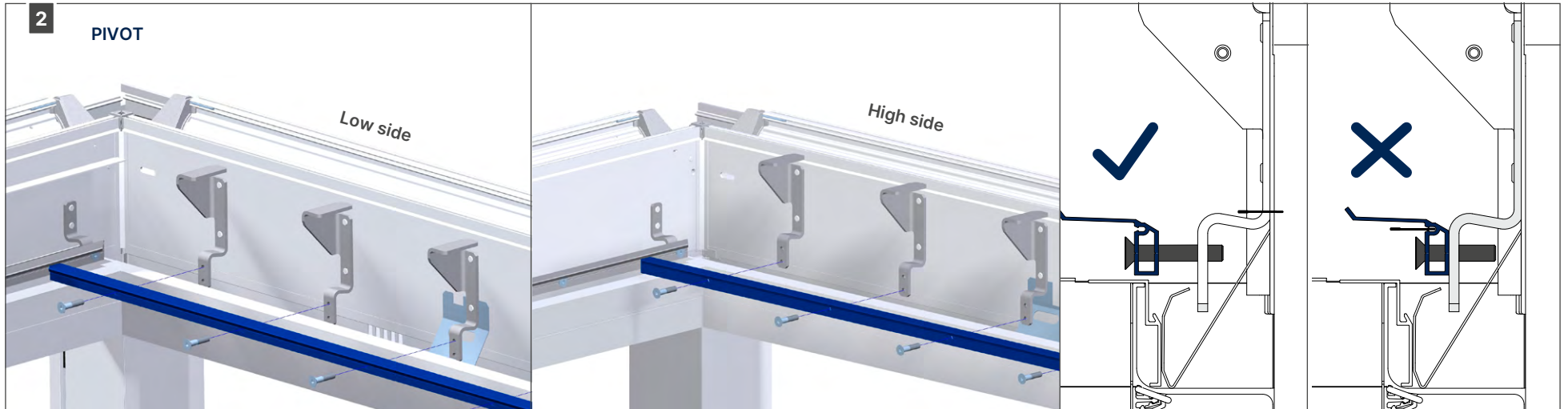
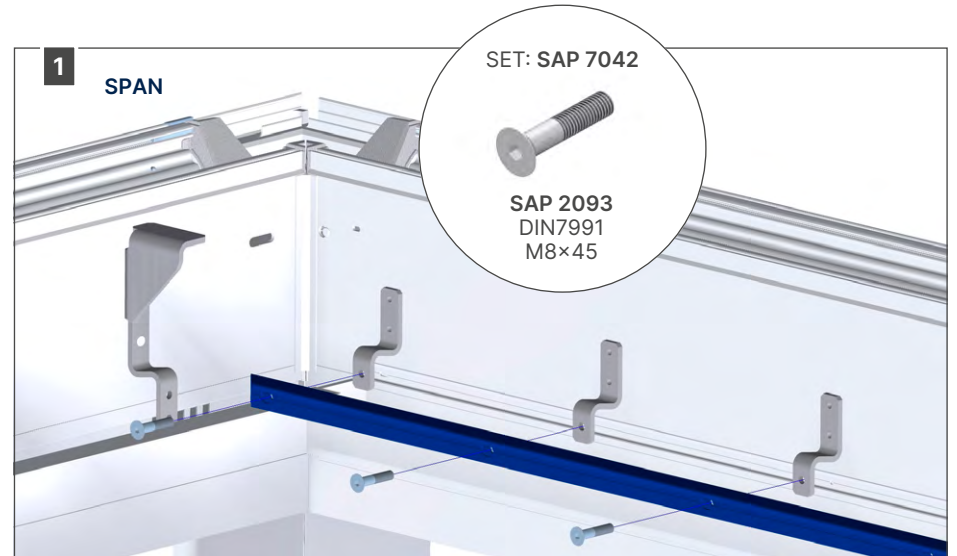
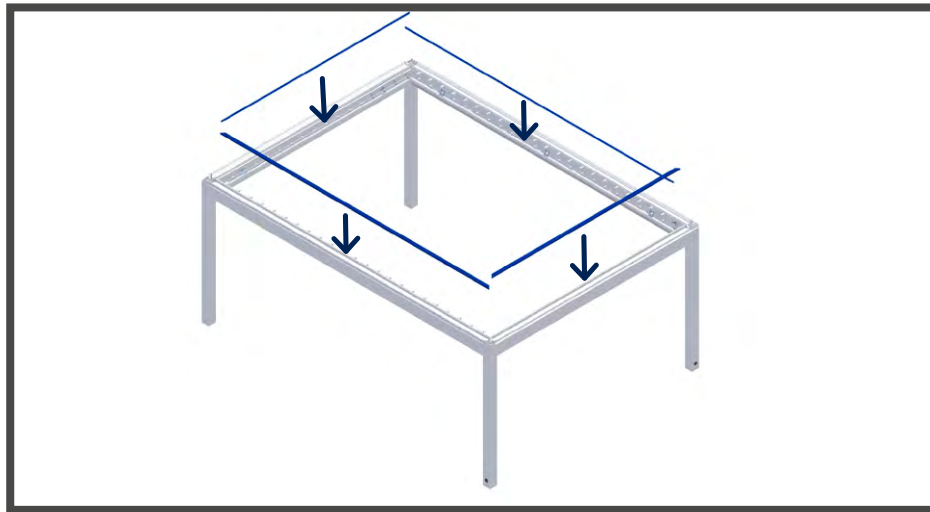
Press for more than 7 sec. on the PROG button on the rear of the Situo io remote until the motor makes two short movements.

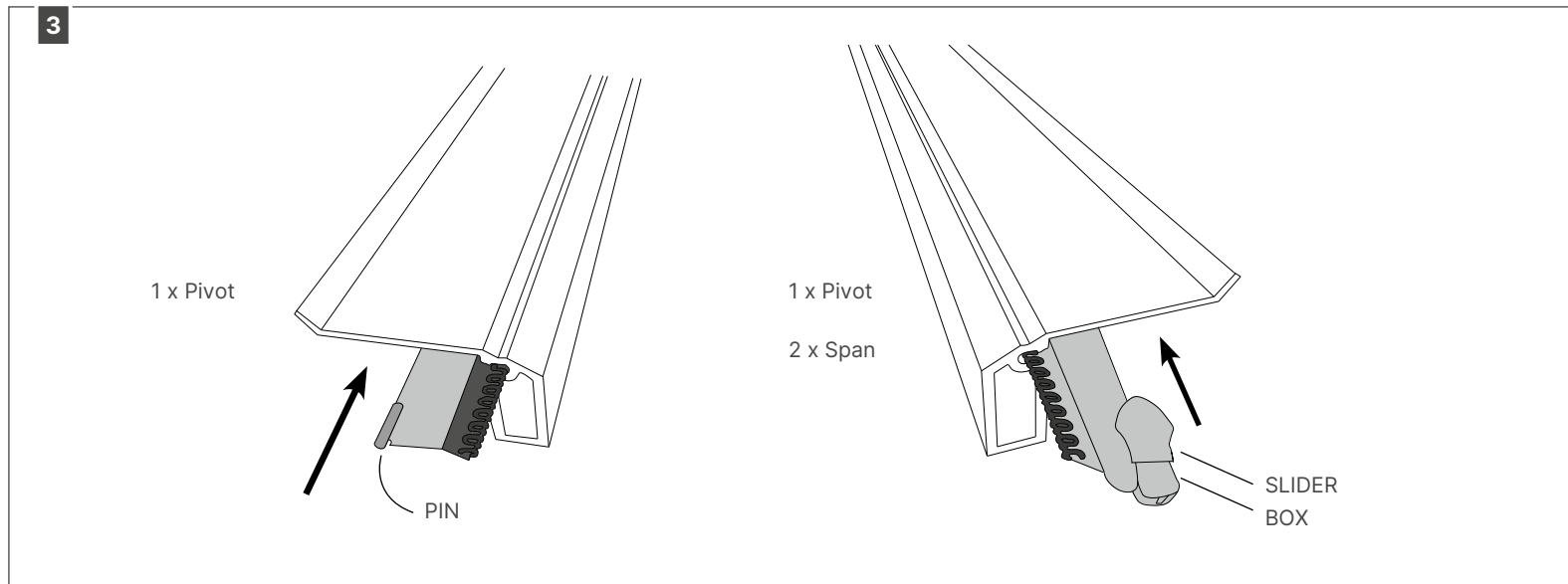
3.3 • Fixed roof

3.3.1 • Fitting the finishing profiles



3.3.2 • Fitting the canvas profiles





Get the four canvas profiles. Fit each profile with a fabric strip with a zip.

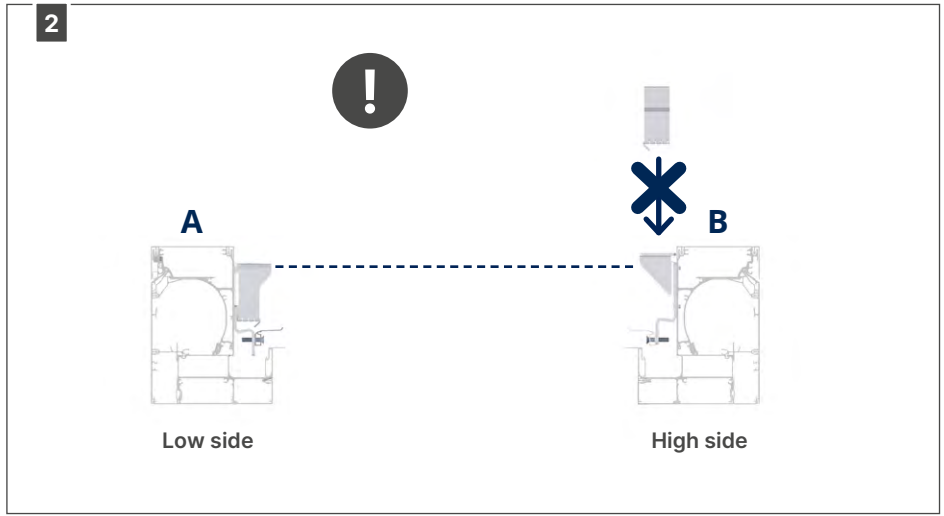
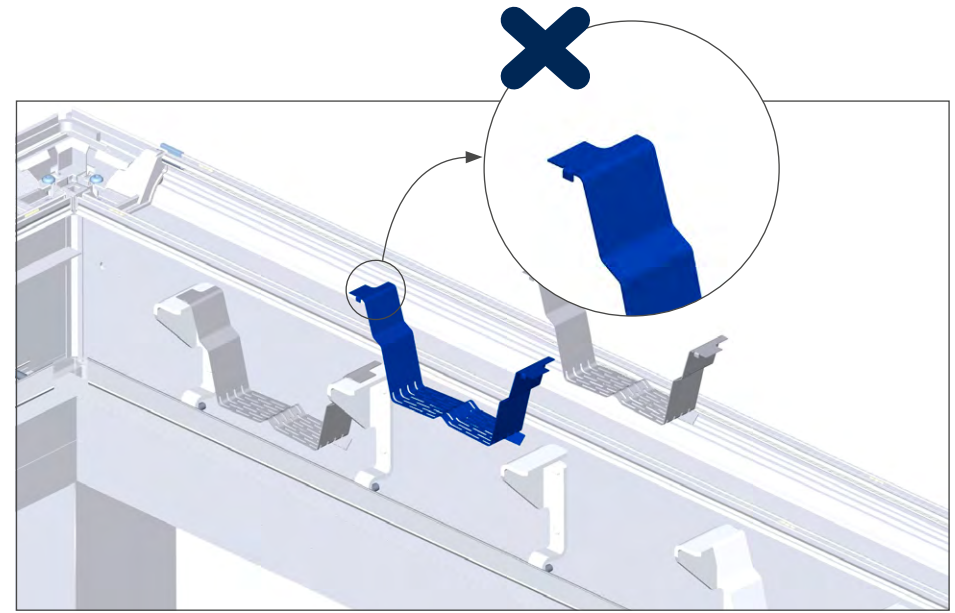
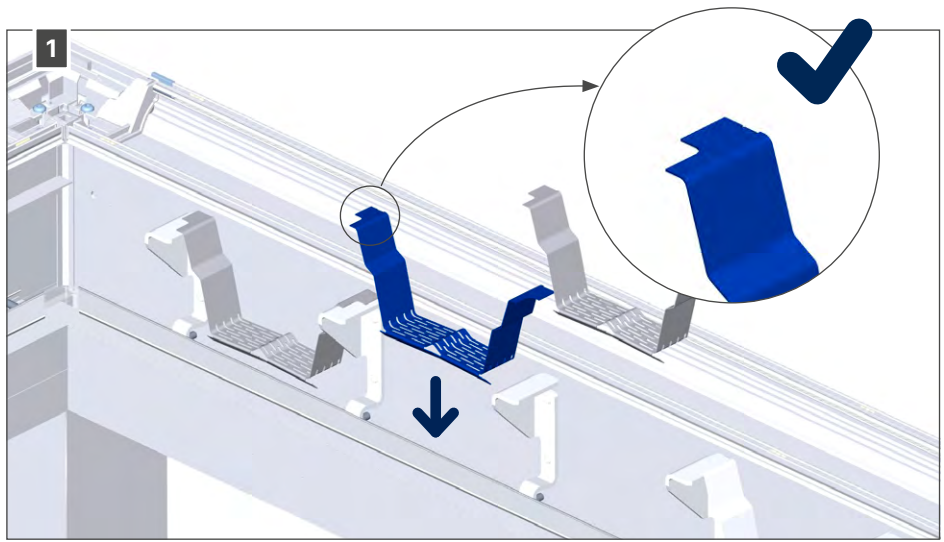
There is one fabric strip with a zip pin (PIN) and three fabric strips with zip box (BOX) and a zip slider (SLIDER).

Slide the fabric strip with a zip pin (PIN) on one of the Pivot canvas profiles.

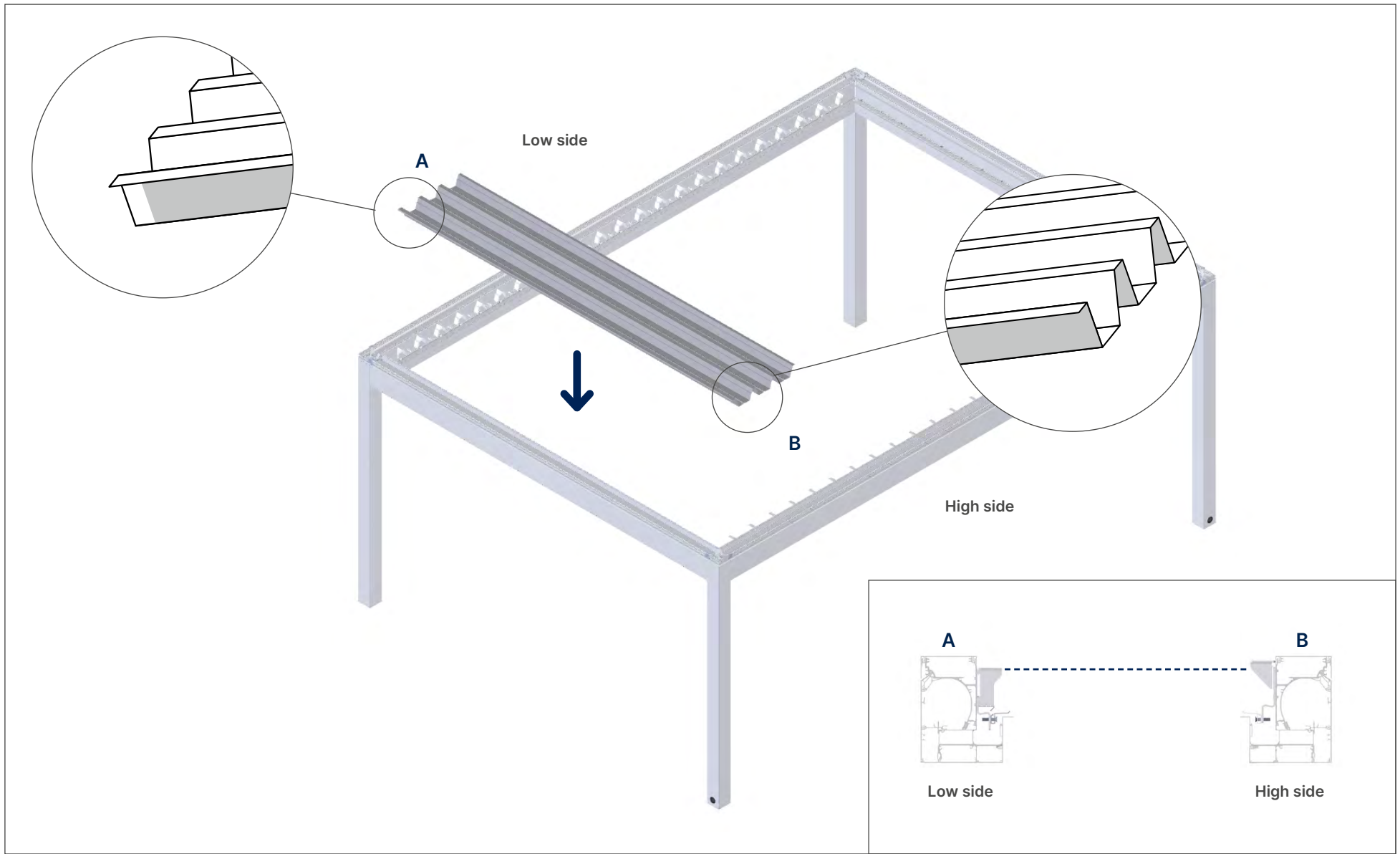
Slide the fabric strips with a zip box (BOX) and zip slider (SLIDER) on the other Pivot canvas profile and on the two Span canvas profiles.

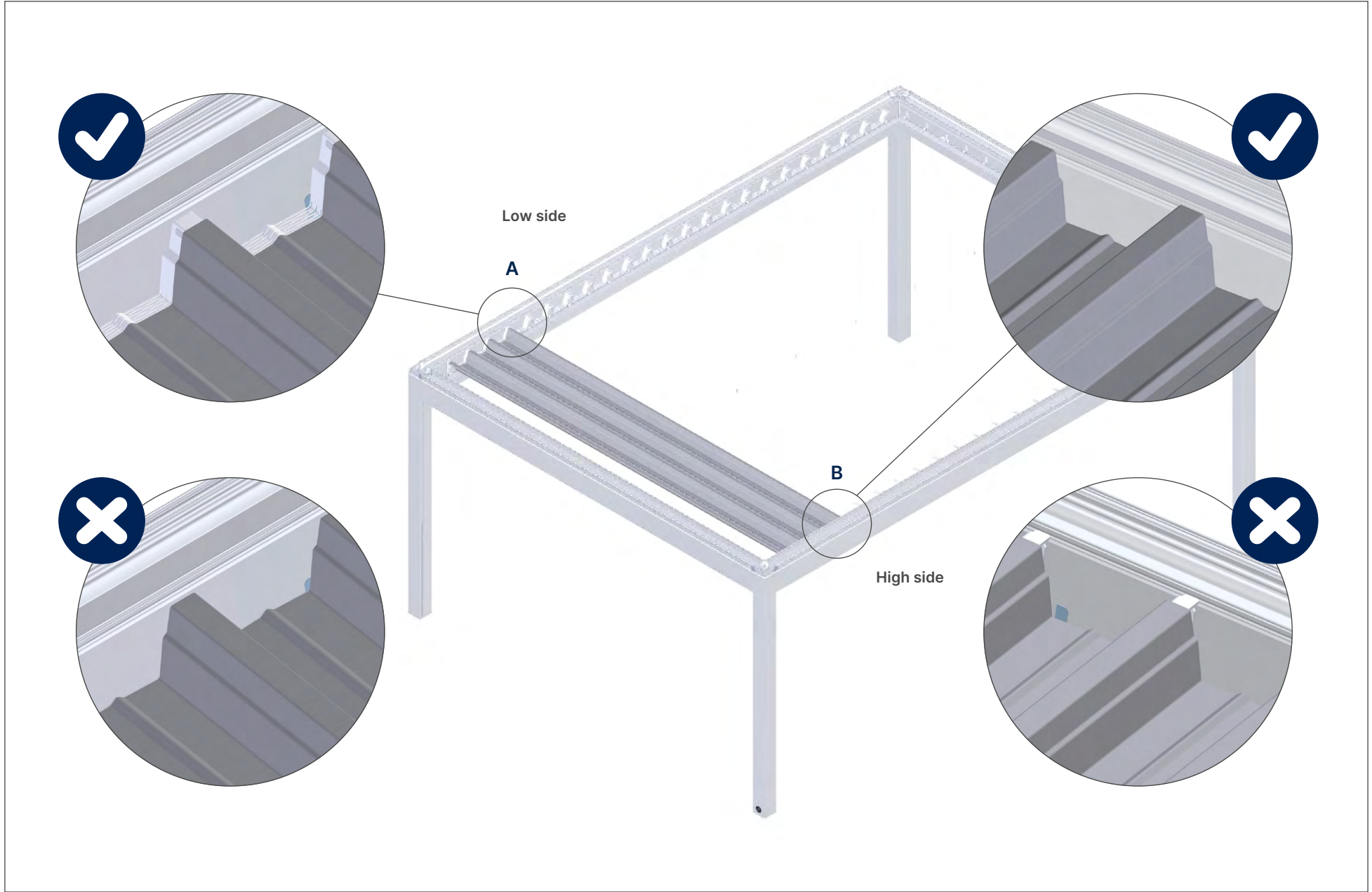
Note: check that the fabric strips are in the right direction with respect to the canvas profiles!

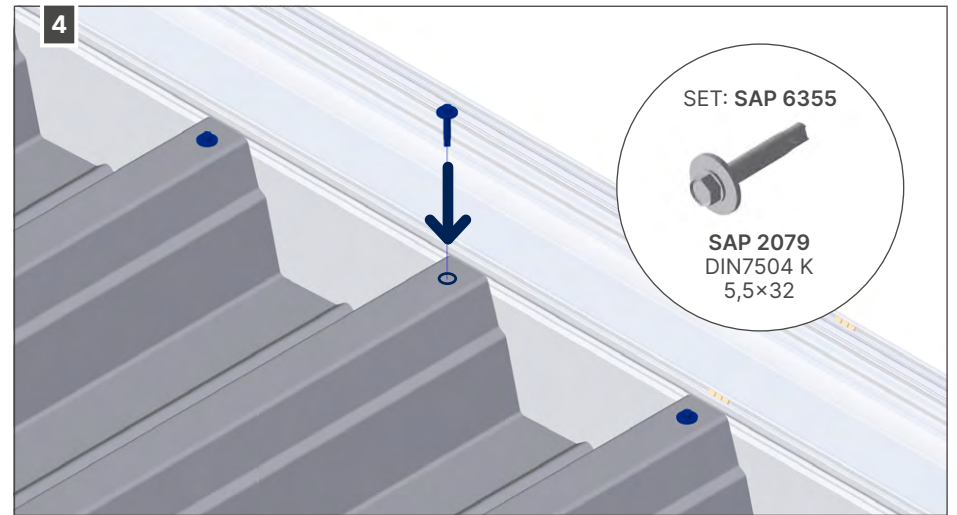
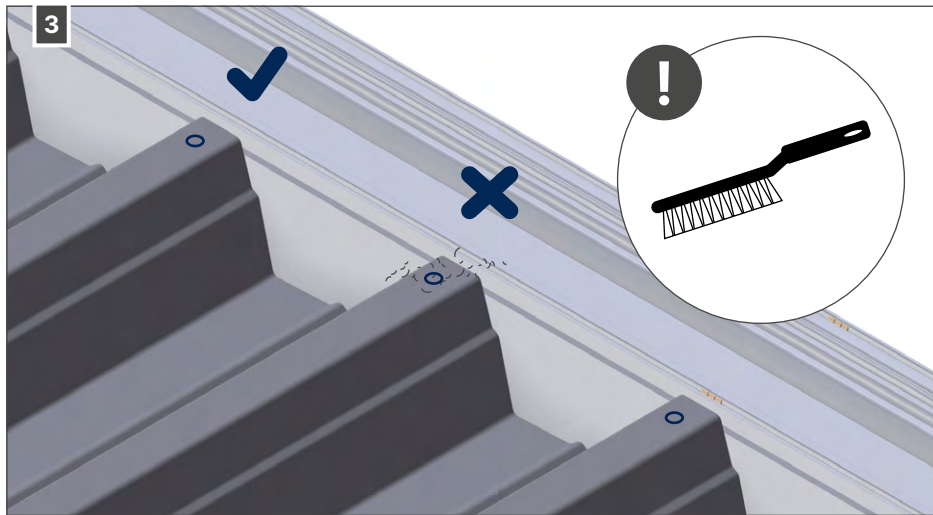
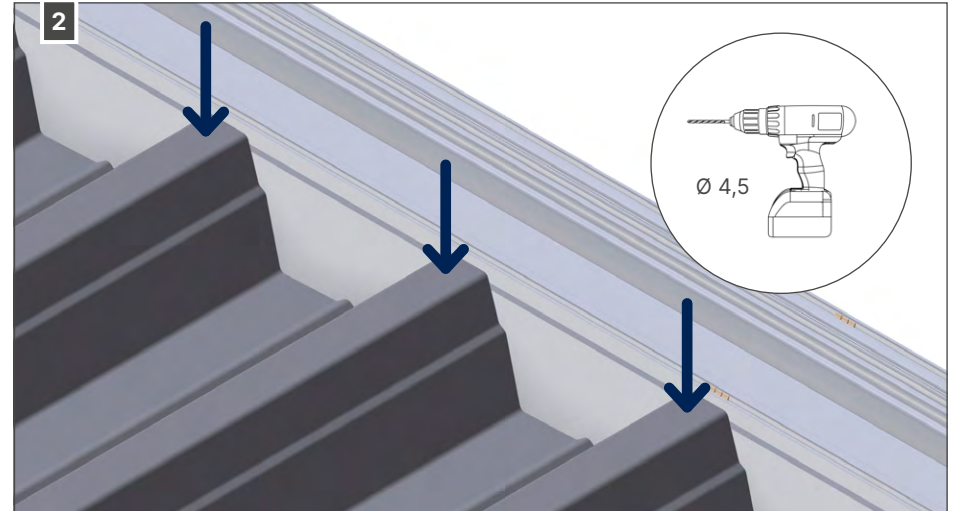
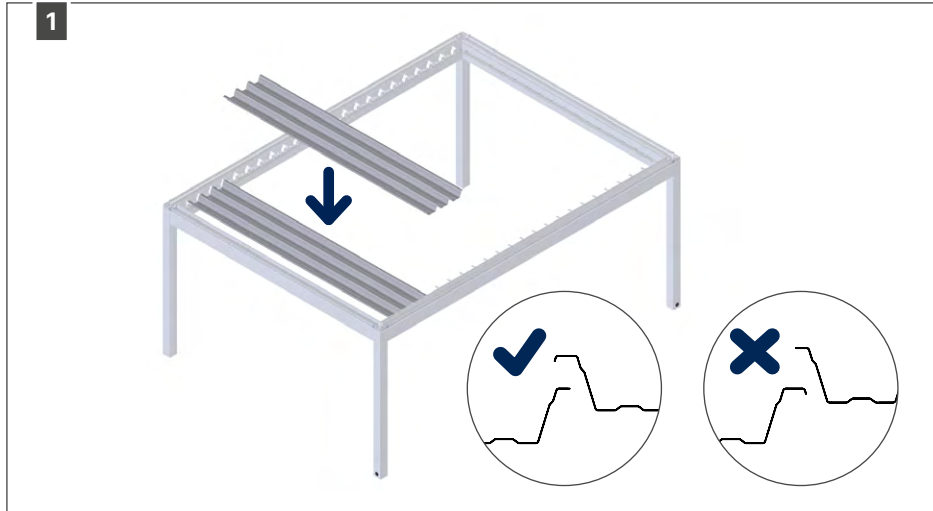
3.3.3 • Fitting the leaf catchers

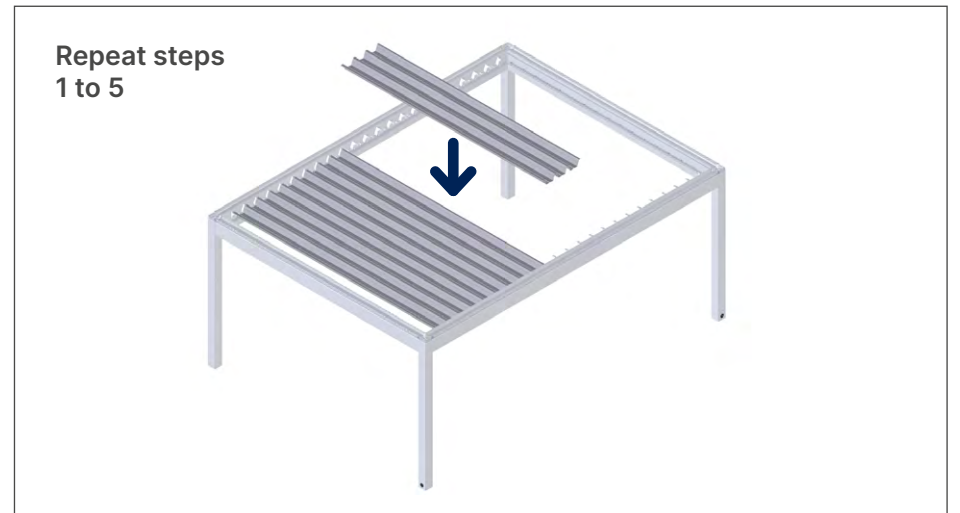
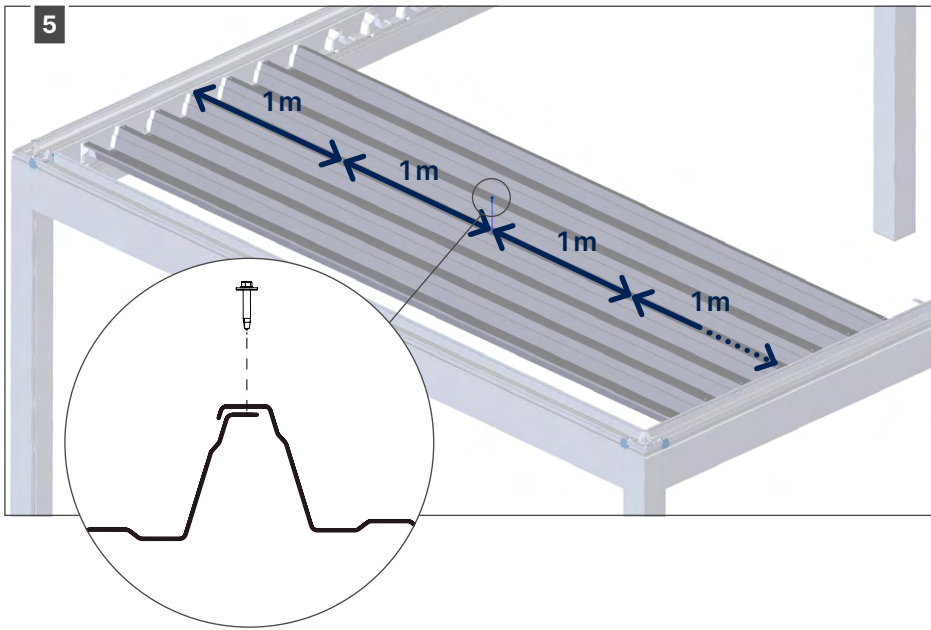
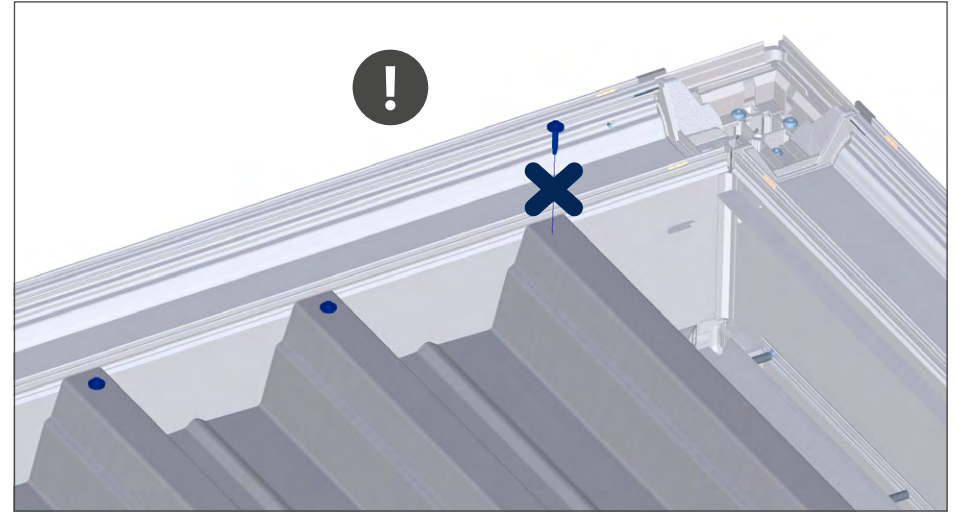
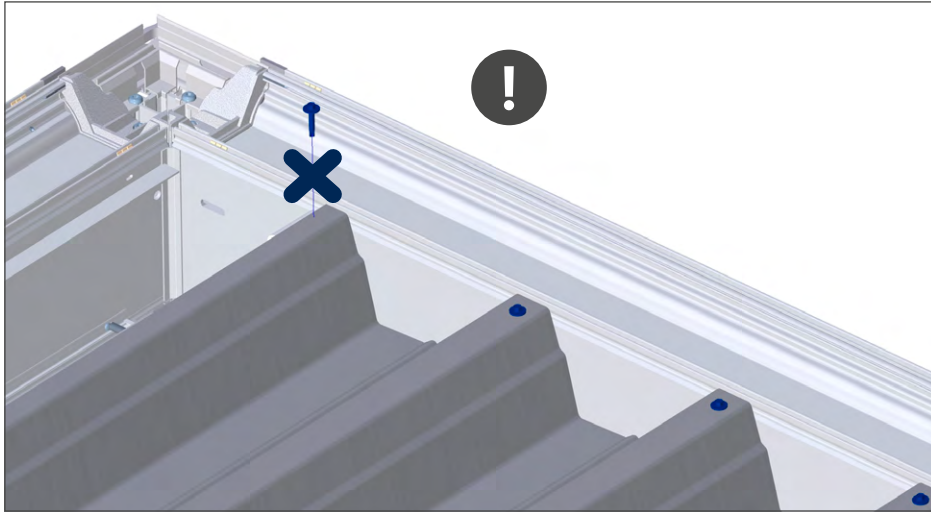


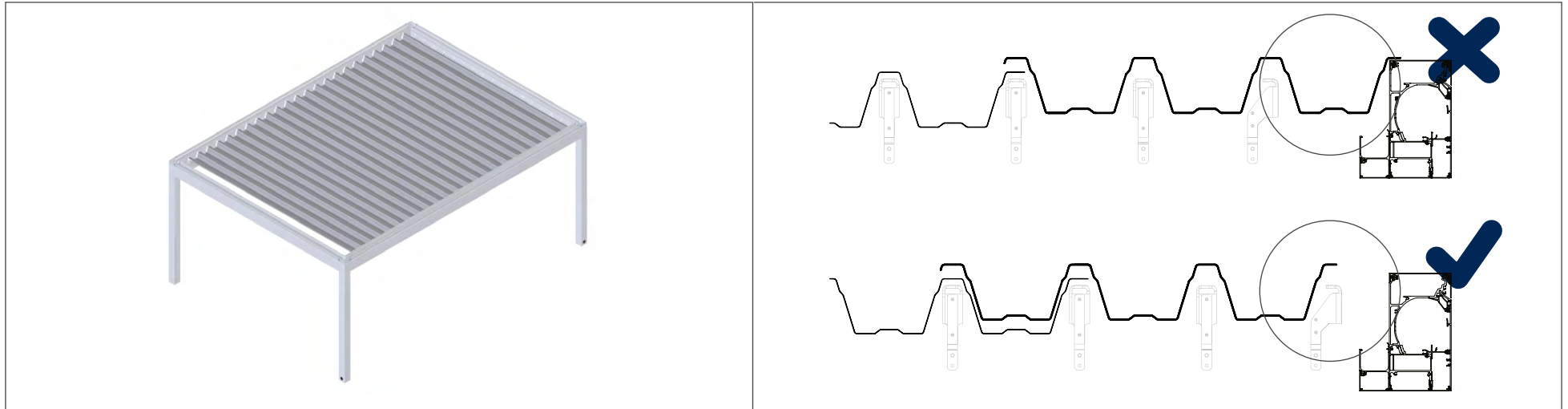
3.3.4 • Fitting the roof plates



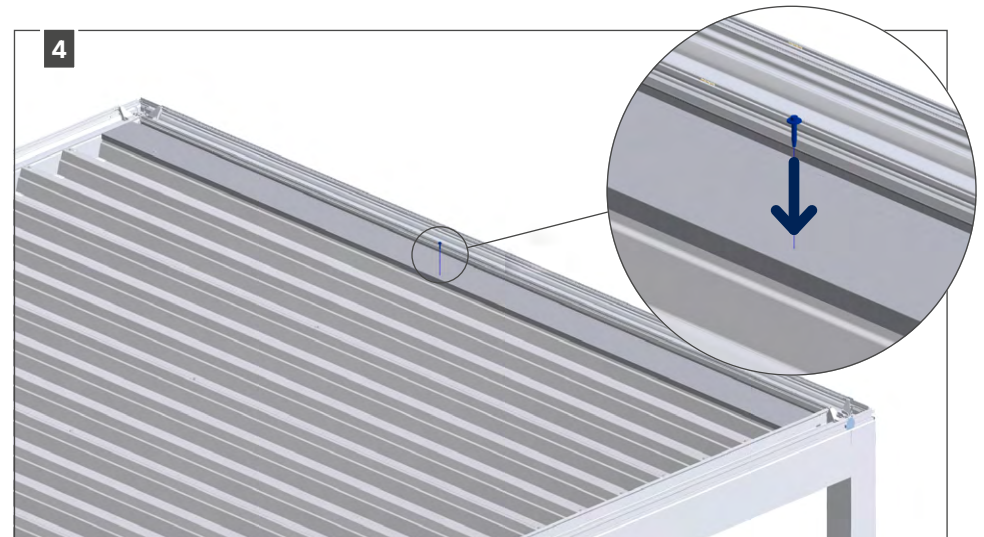
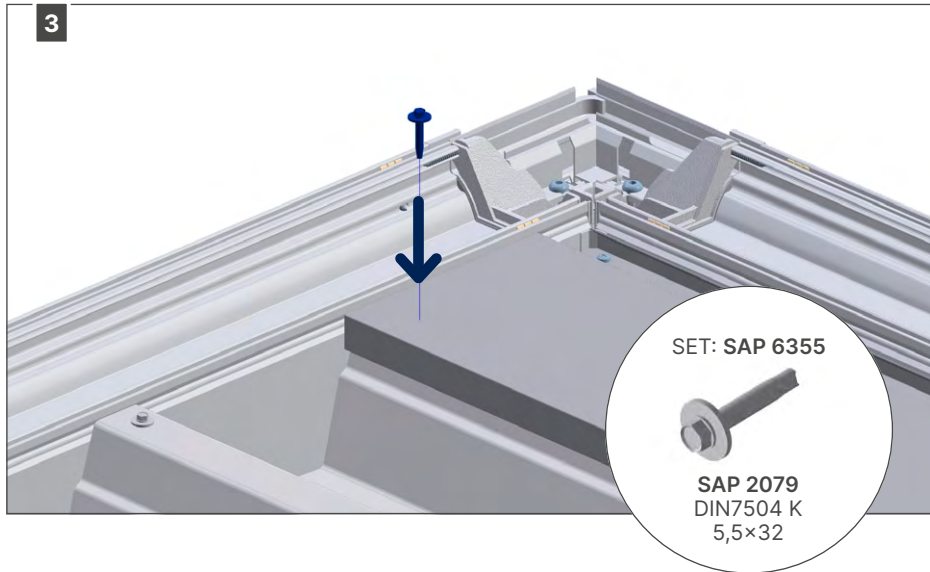
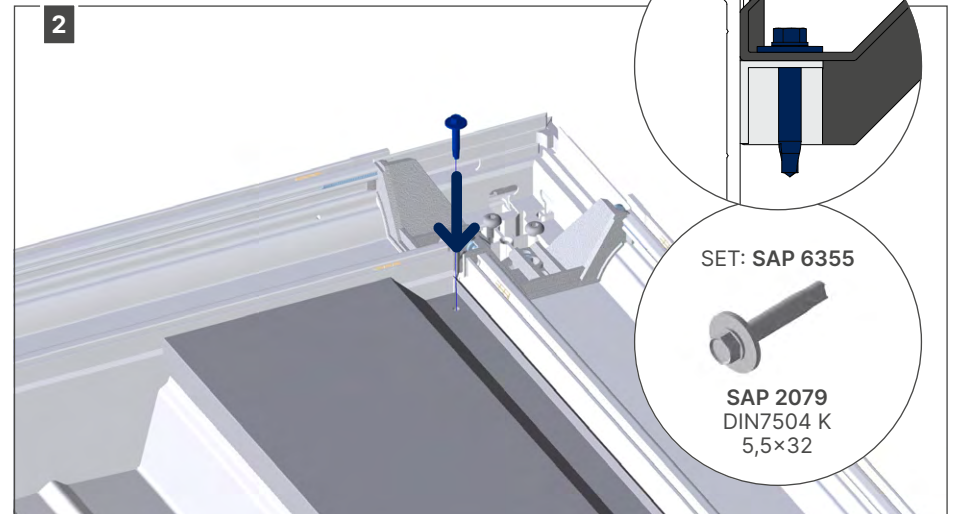
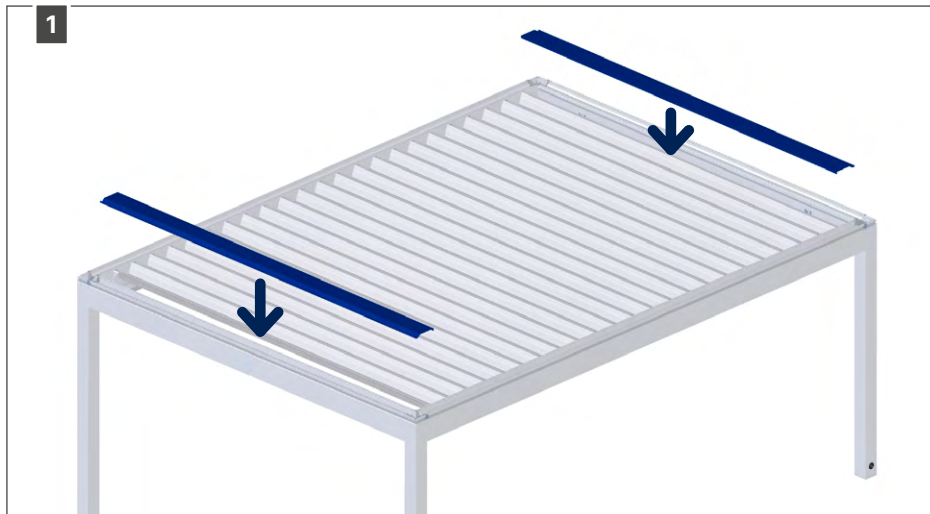




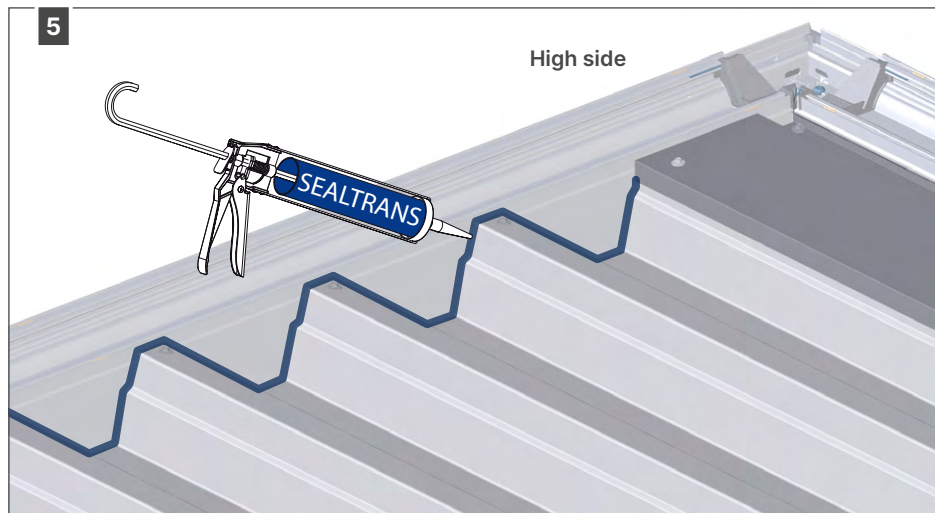




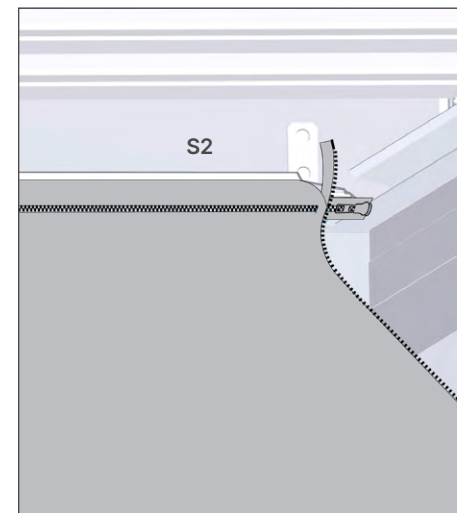
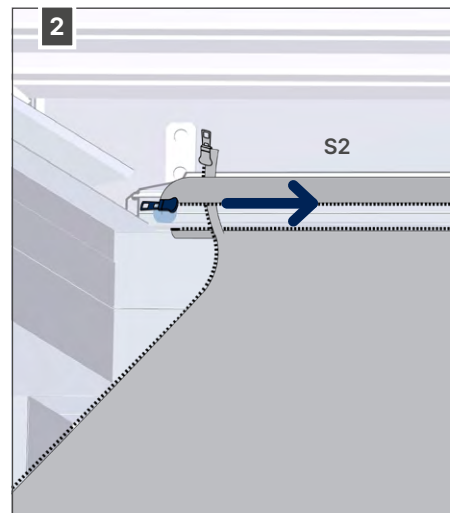
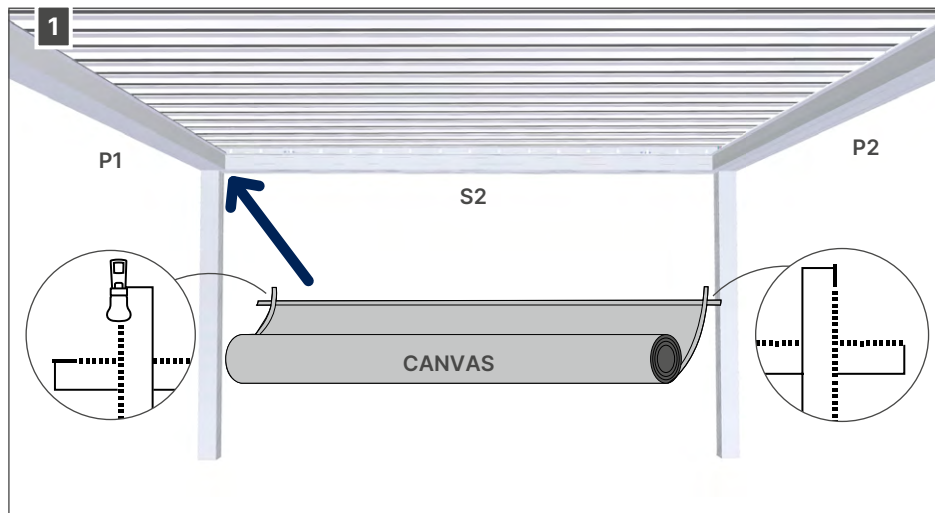
3.3.5 • Finishing the roof plates

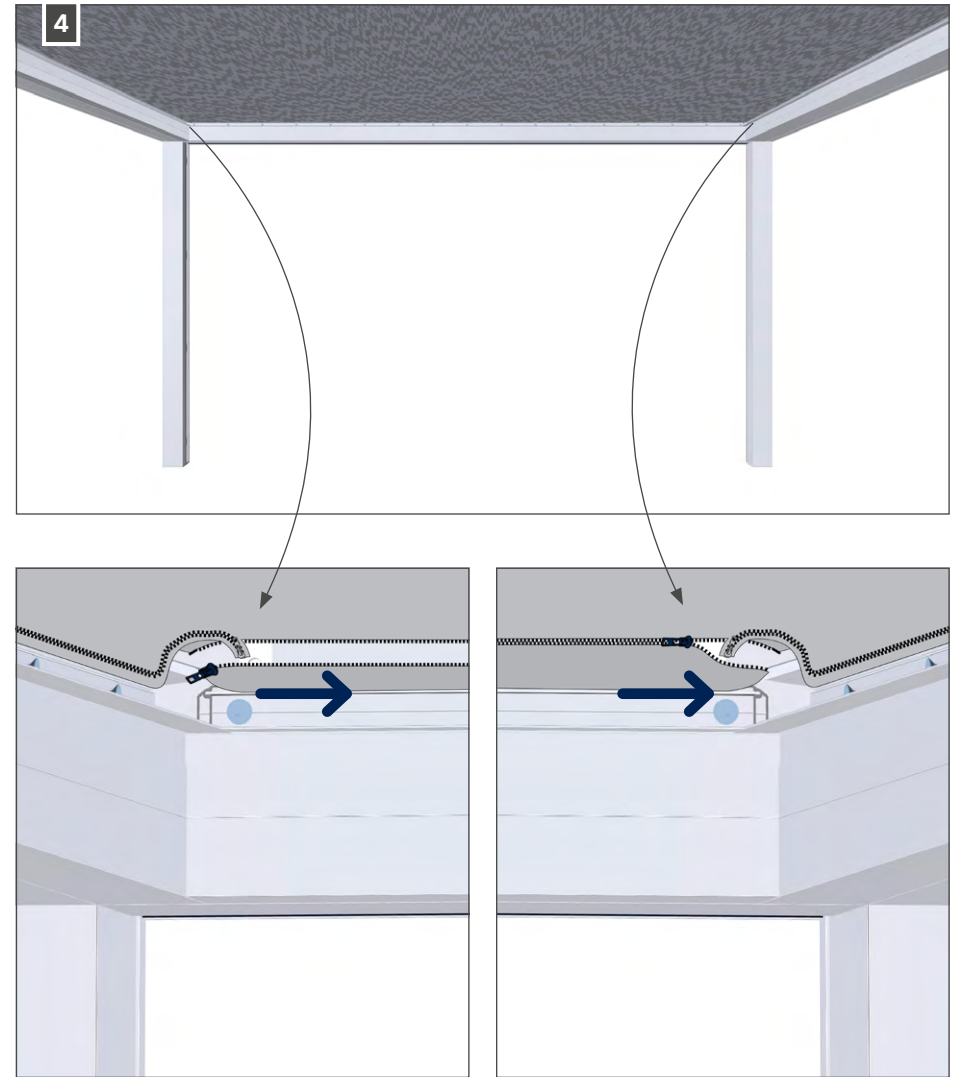
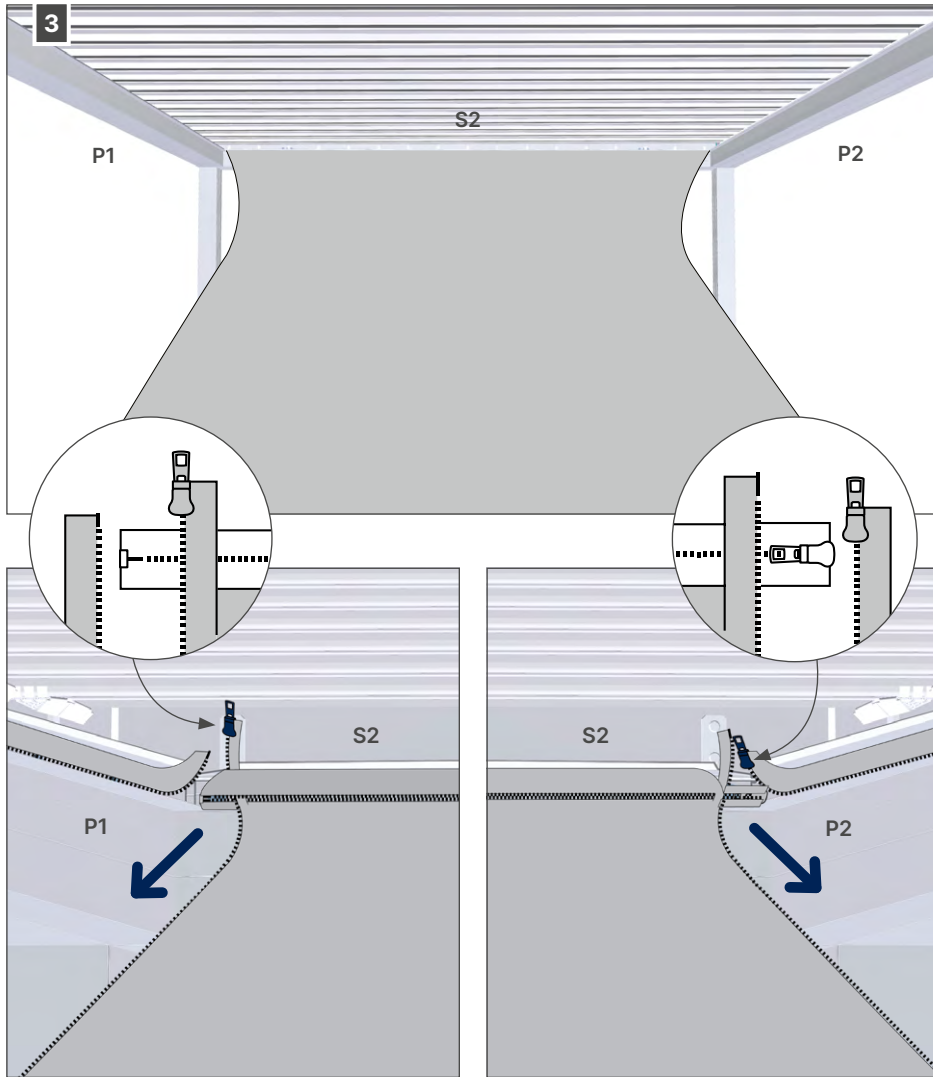


CONSTRUCTION
OF THE ROOF



3.3.6 • Fitting the canvas

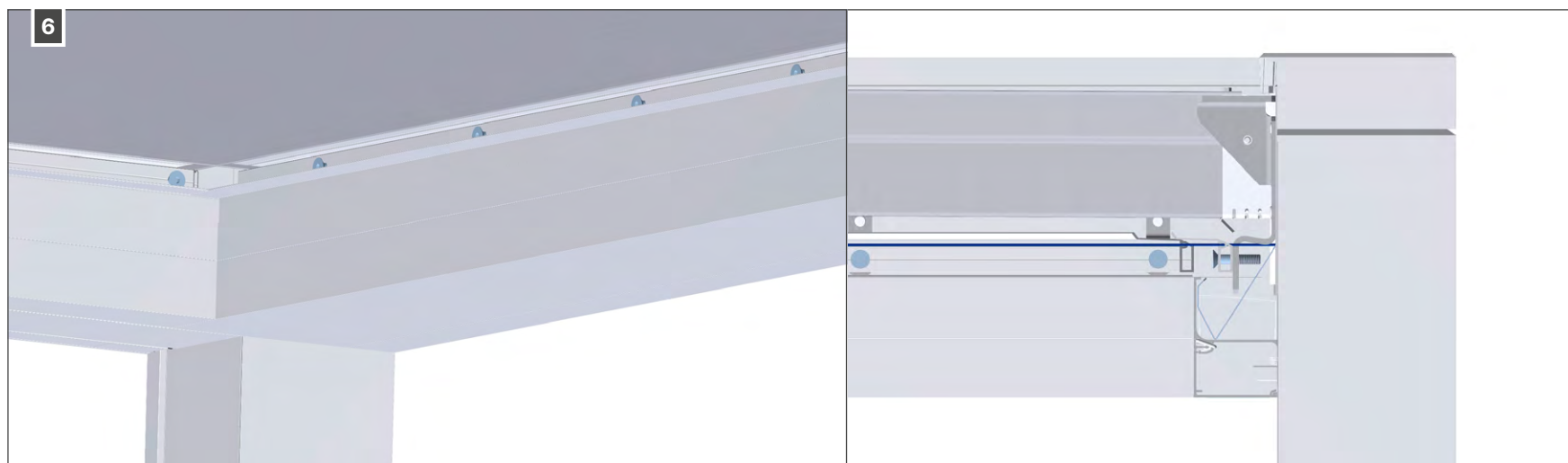


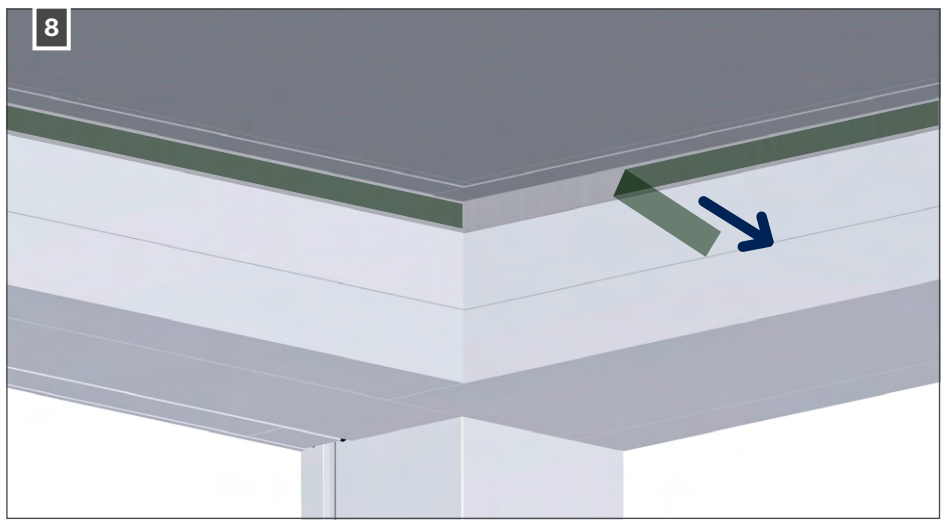
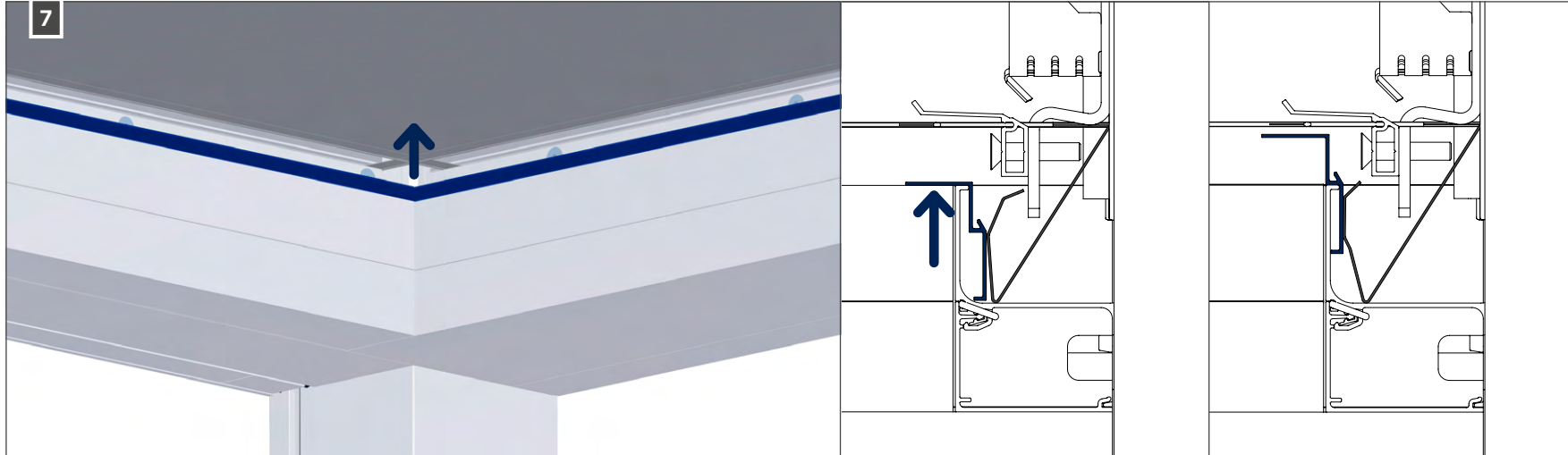




You tighten these bolts roughly at the same time until the canvas fabric is nicely tensioned.

Note: If you work with an electric screwdriver, it must have a force limited screw function. Never use the screwdriver in drill position to tighten the bolts. The canvas can tear when stretched too hard.

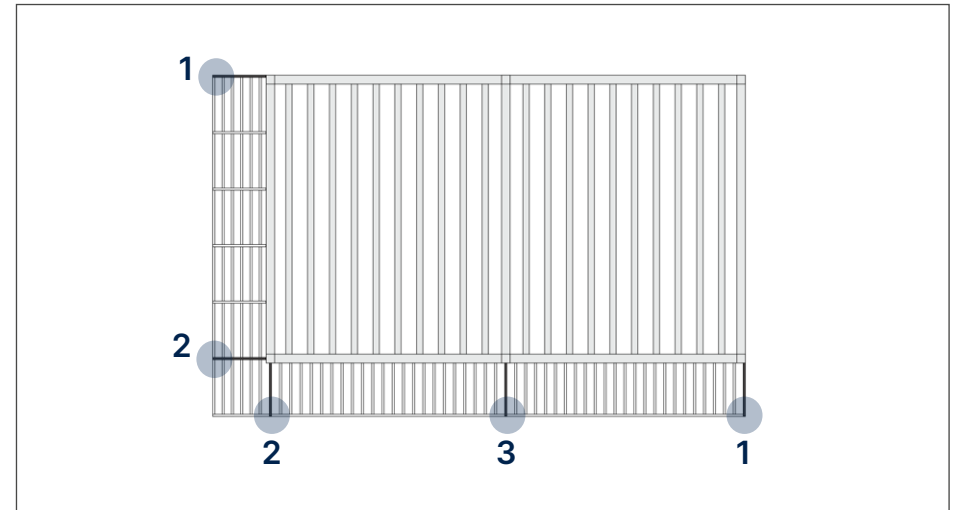
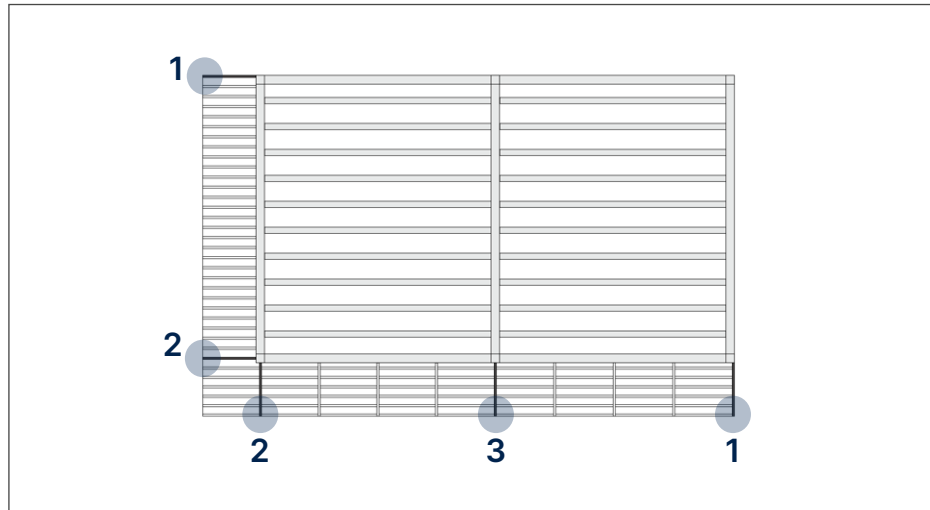






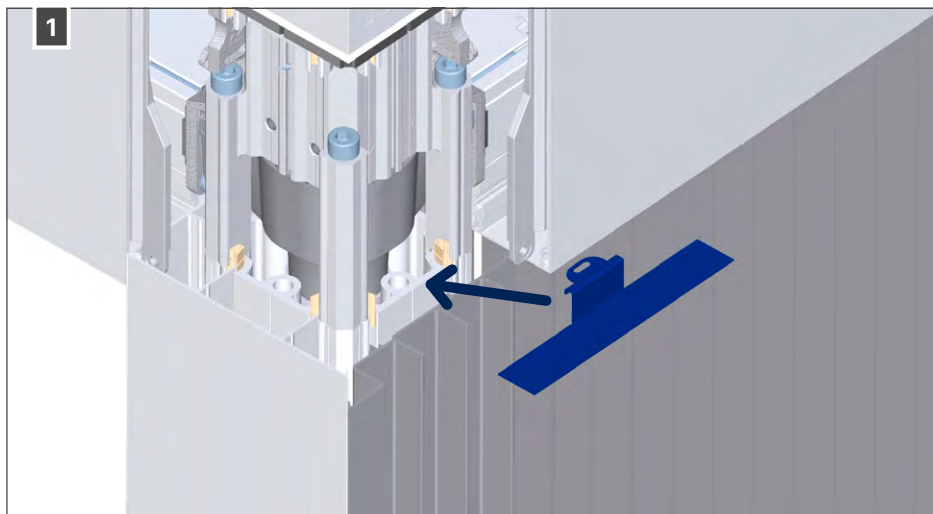
TIP: test the led-line lighting before installing it in the louvred canopy. Then also complete the installation of a [FIXSCREEN](#), [ROOF ACCESSORIES](#), [FIXED WALLS](#) and [GENERAL FINISHING](#) before starting the installation of the louvred canopy.

4 • Louvred canopy



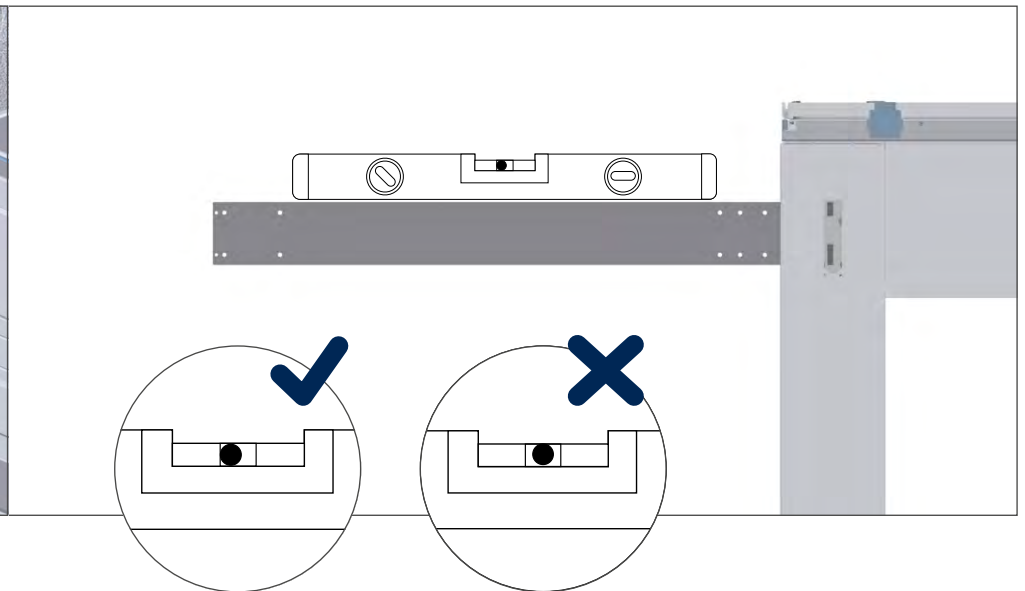
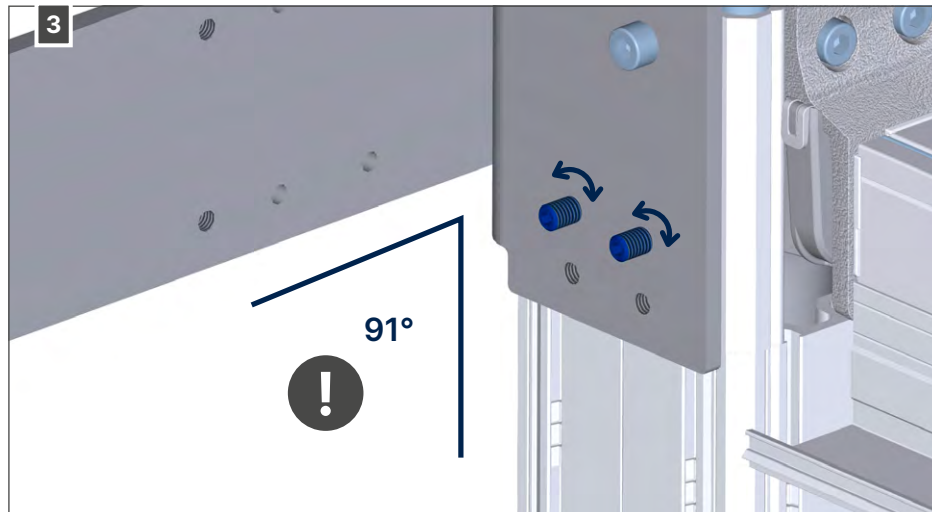
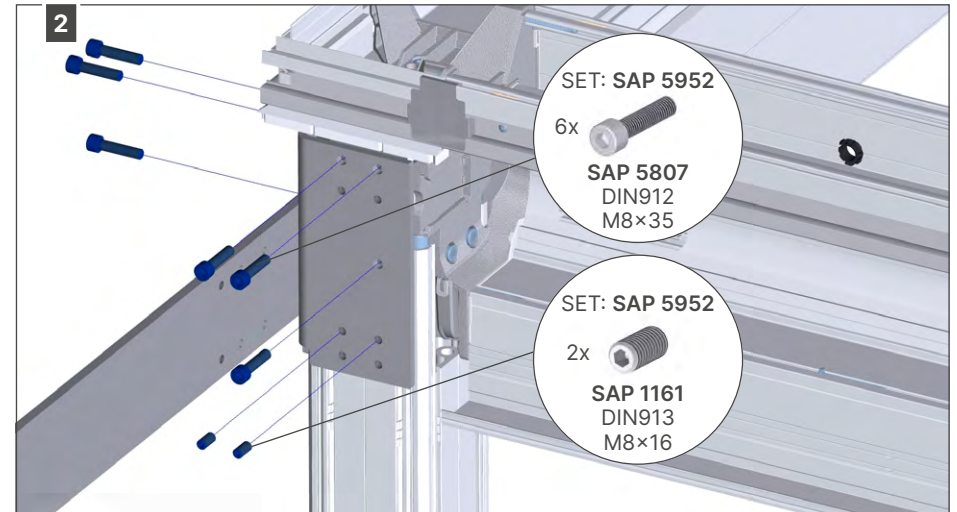
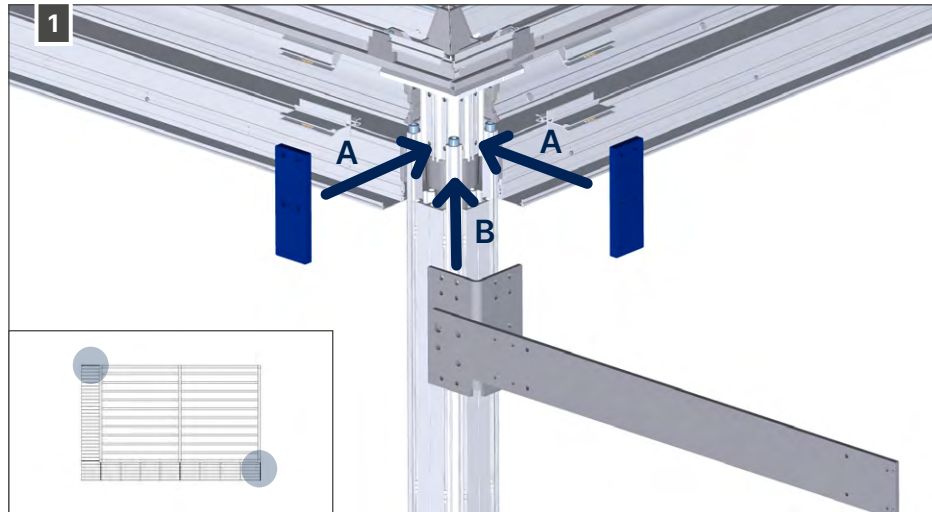
- 1 = END KNIFE BRACKET
- 2 = CORNER KNIFE BRACKET
- 3 = JOINING KNIFE BRACKET

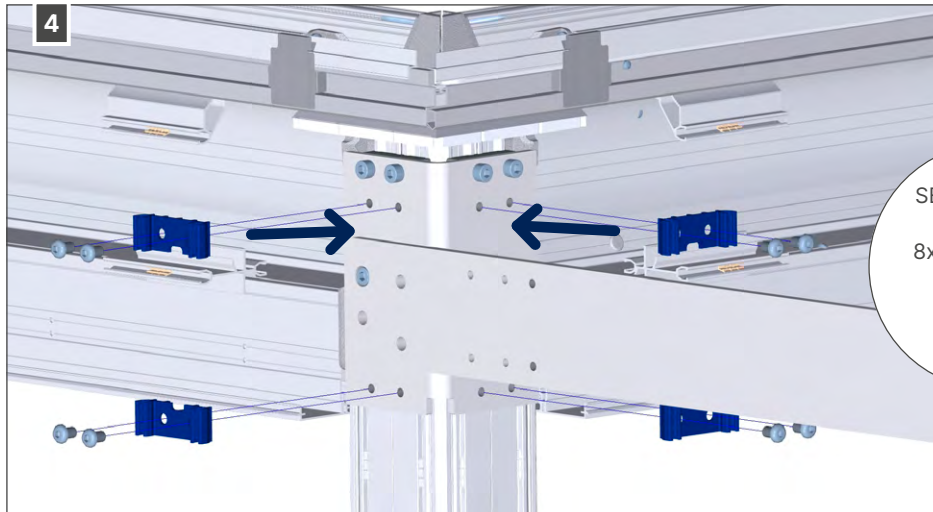
When a fixed wall is combined with a louvred canopy, a lacquered plate (8139/SAP0002603) must be installed first.




4.1 • Inserting knife brackets

4.1.1 • End knife bracket



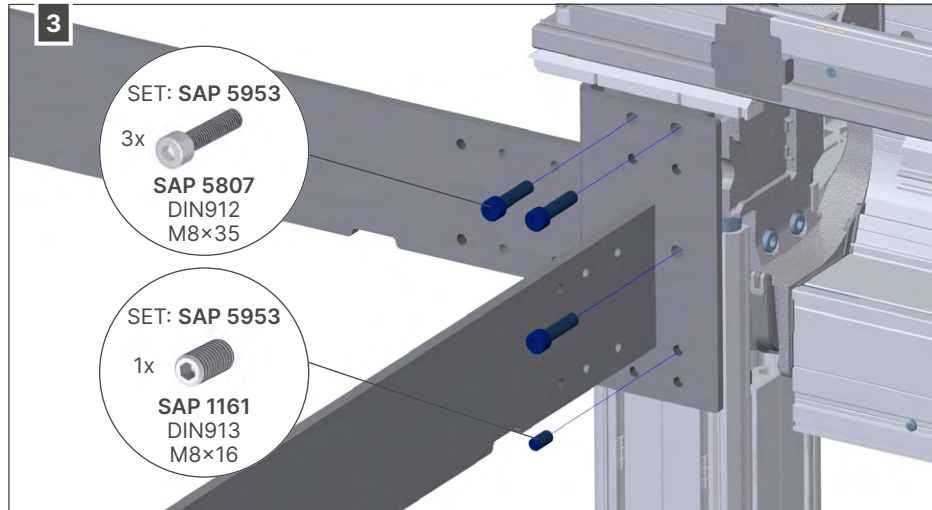
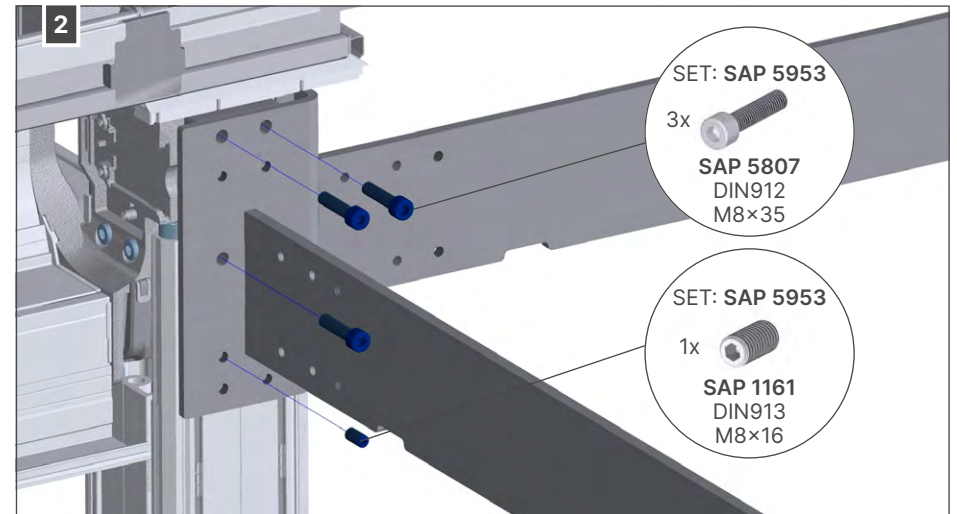
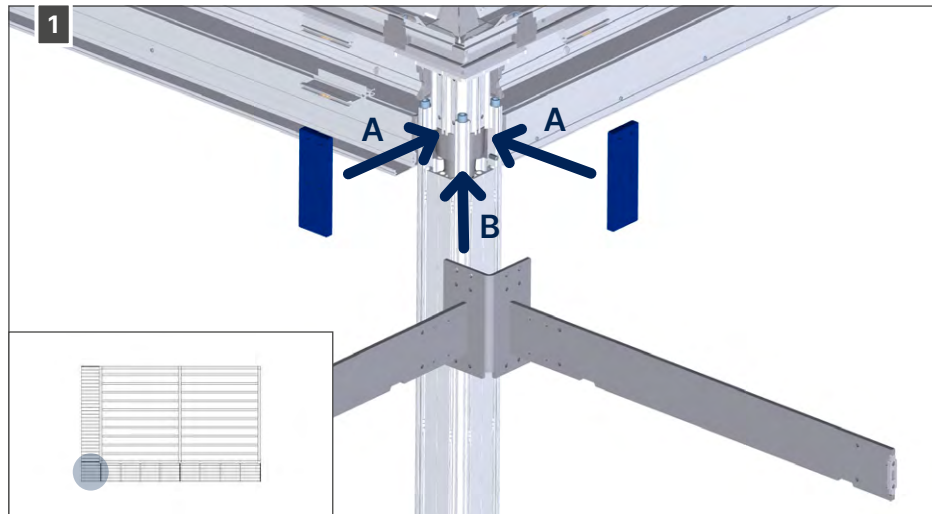


SET: SAP 5952

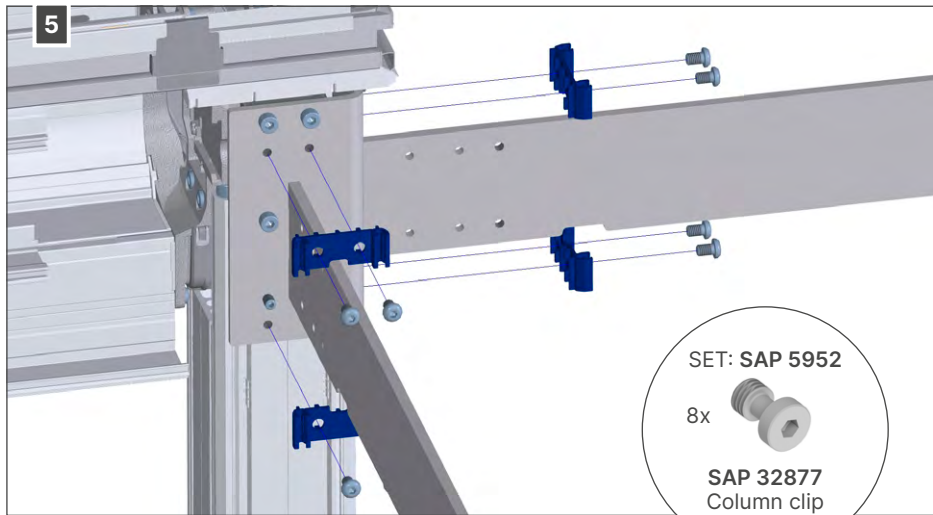
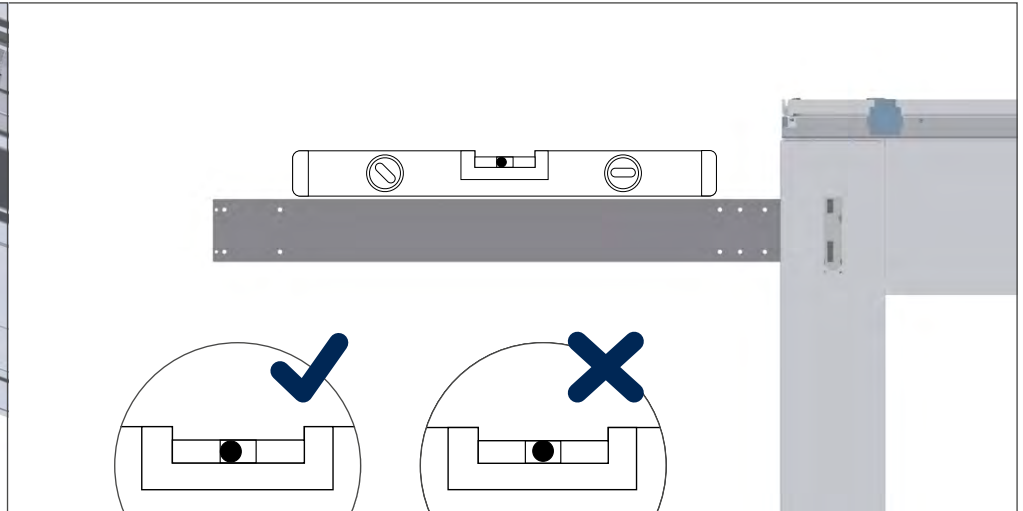
8x 

SAP 32877
Column clip
bolt

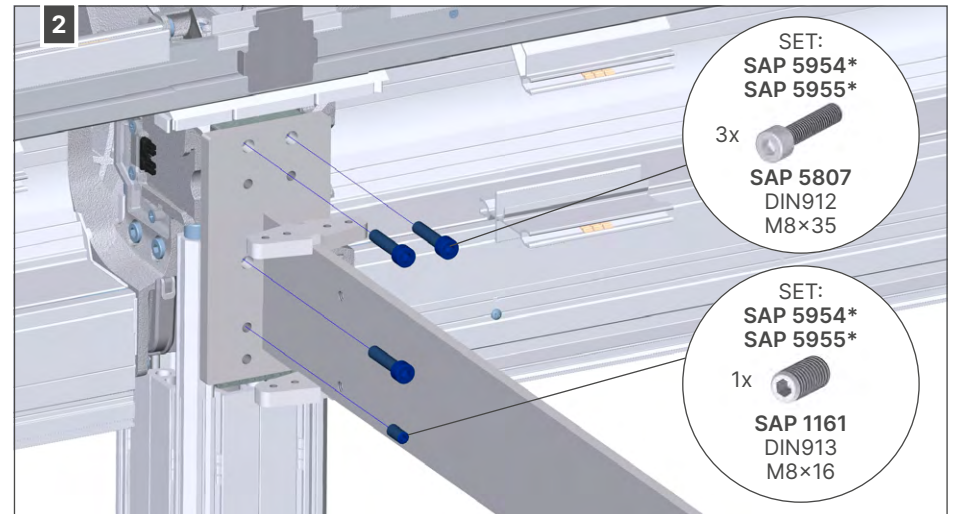
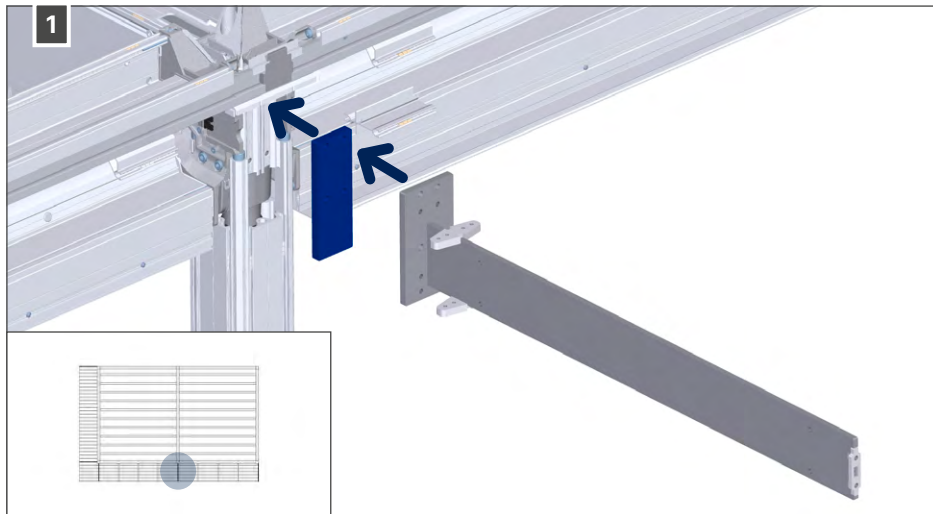
4.1.2 • Corner knife bracket



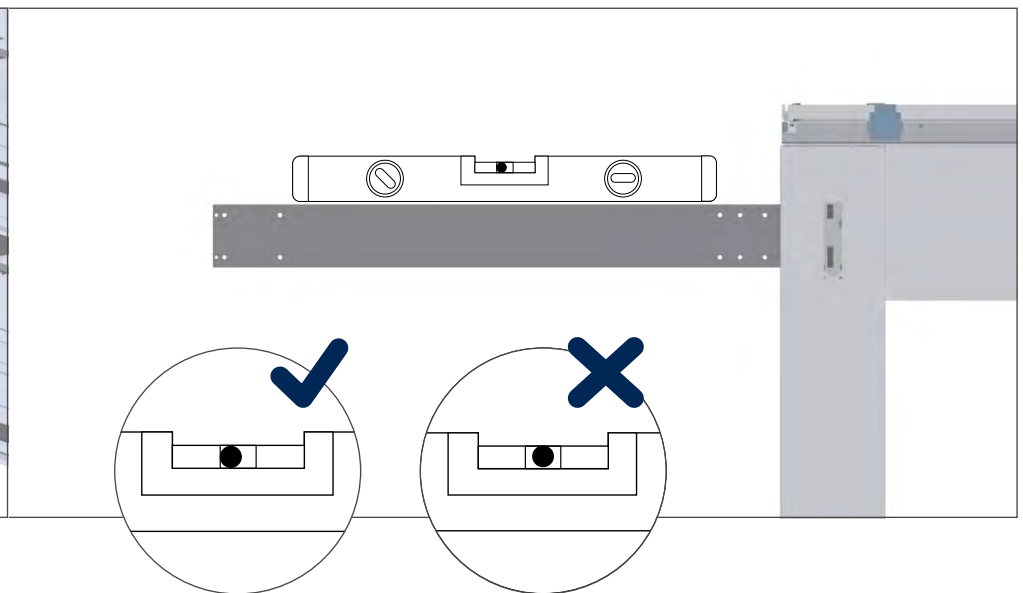
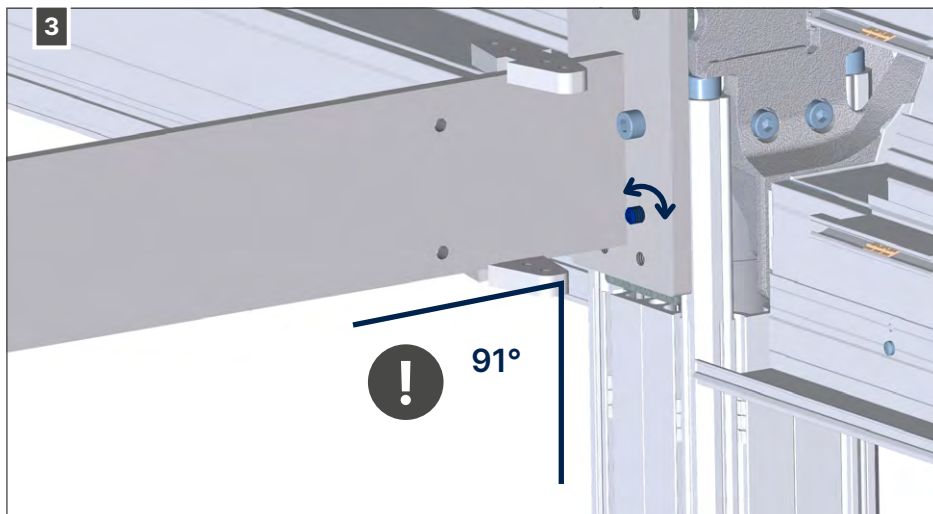
AWNING

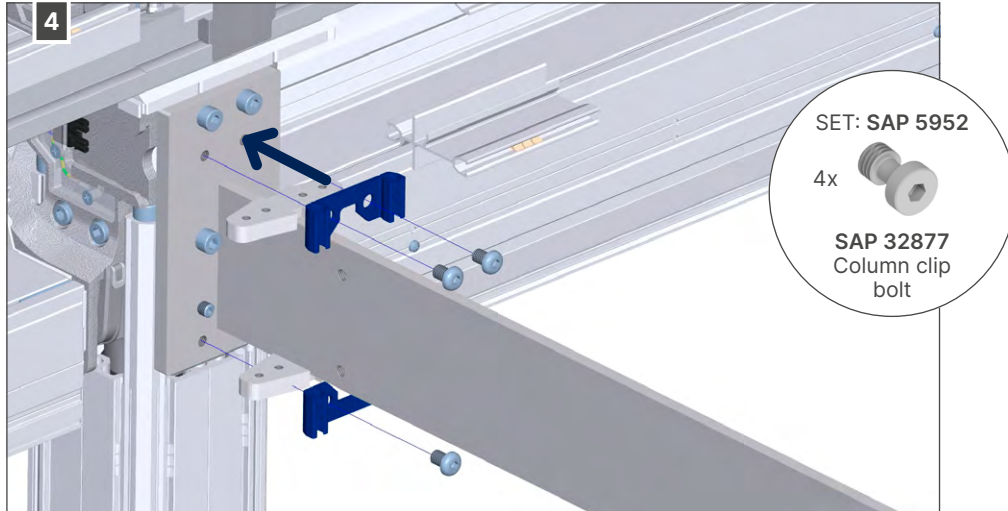


4.1.3 • Joining knife bracket



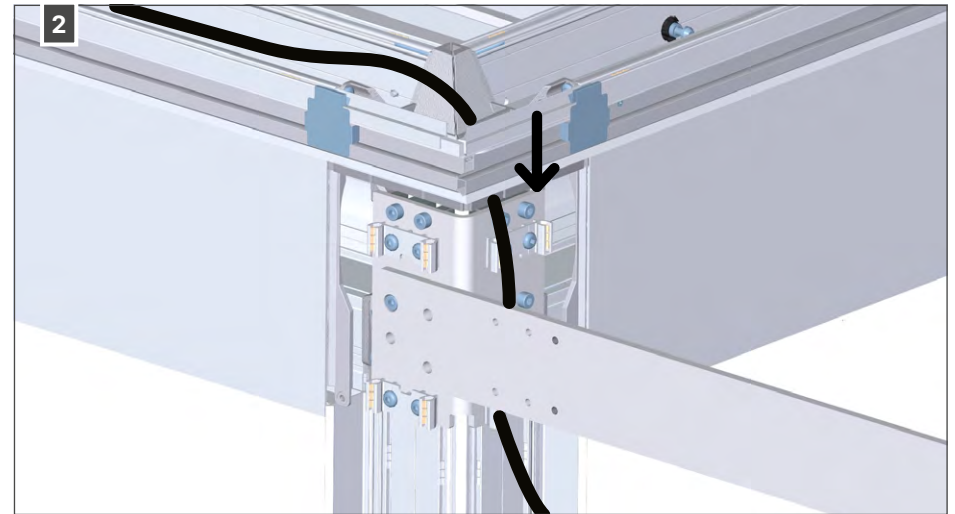
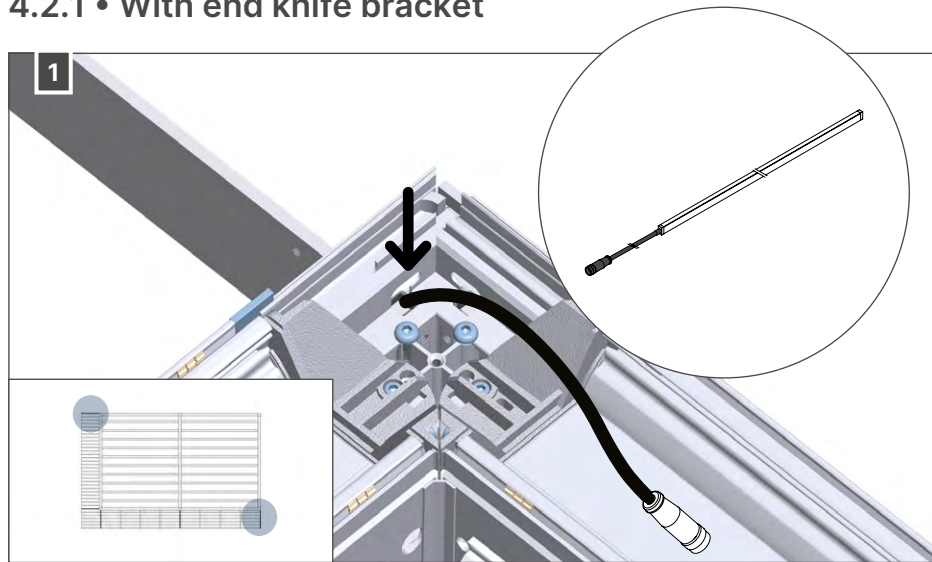
* SAP 5954: joining knife bracket pivot - SAP 5955: joining knife bracket span



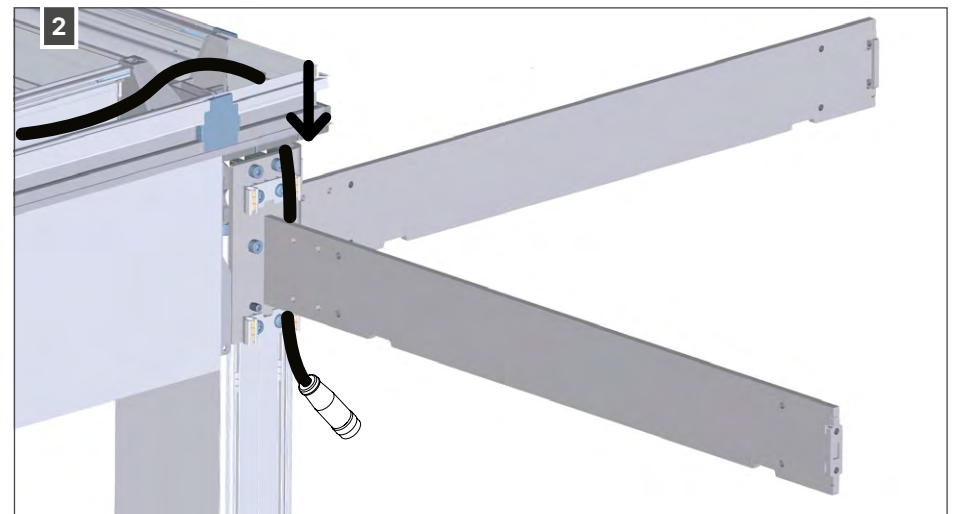
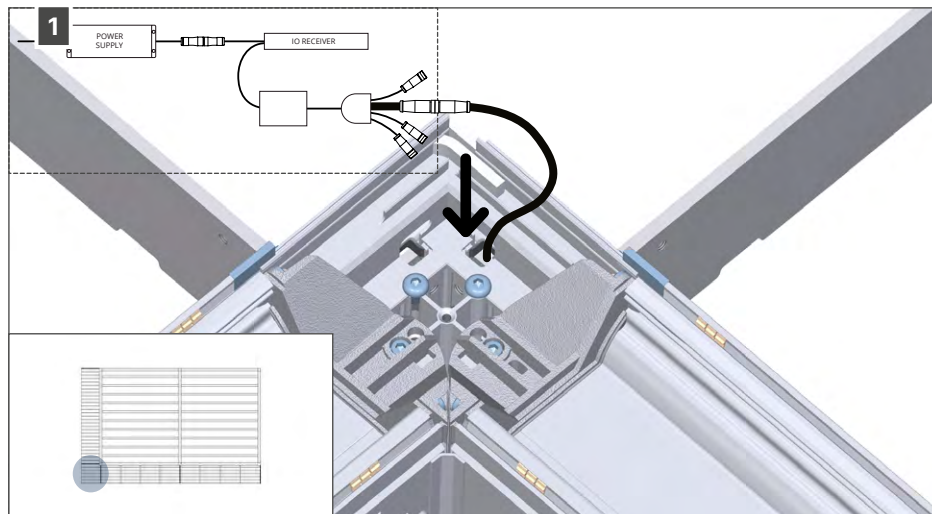


4.2 • If iconic LED line: prepare wiring

4.2.1 • With end knife bracket

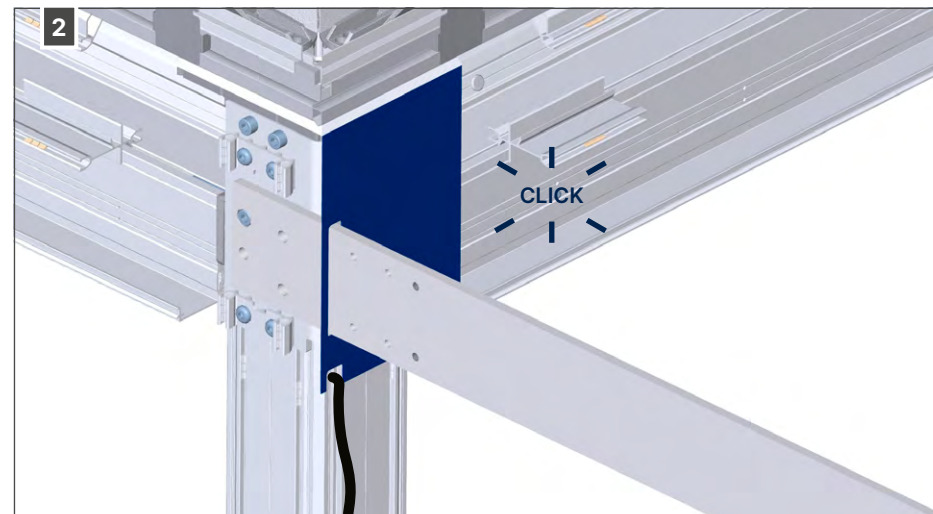
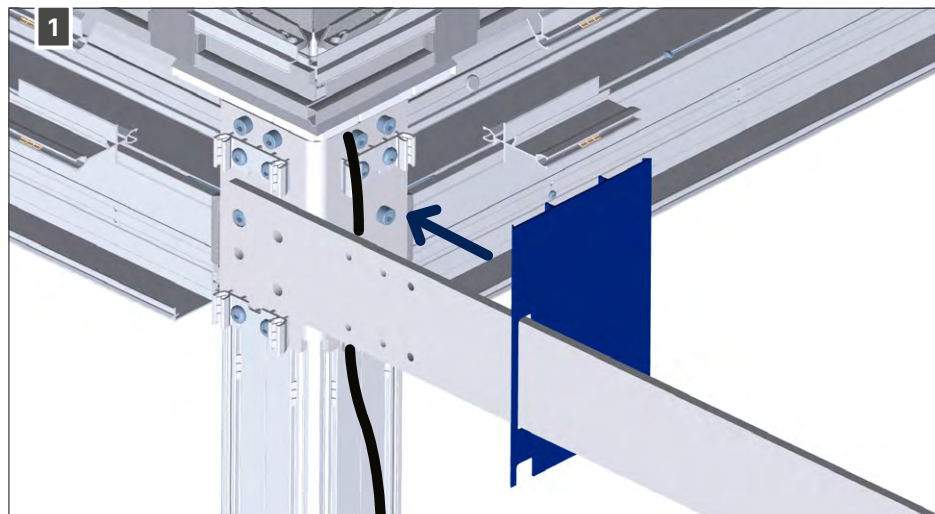


4.2.2 • With corner knife bracket

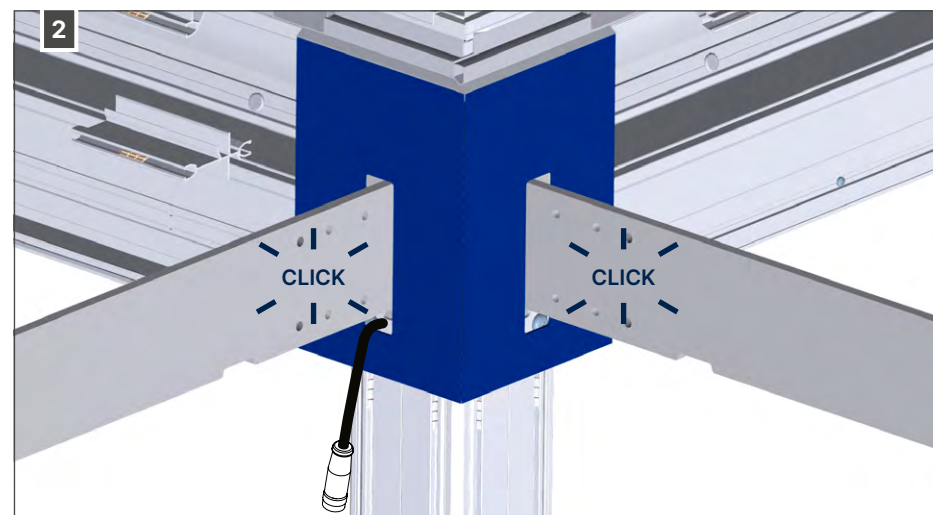
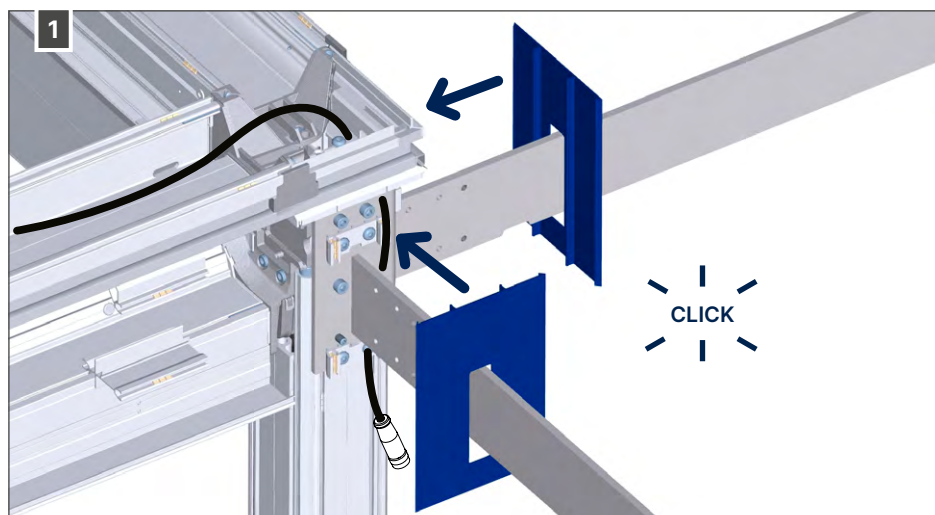


4.3 • Fit cover (+ cable reducer if iconic LED line)

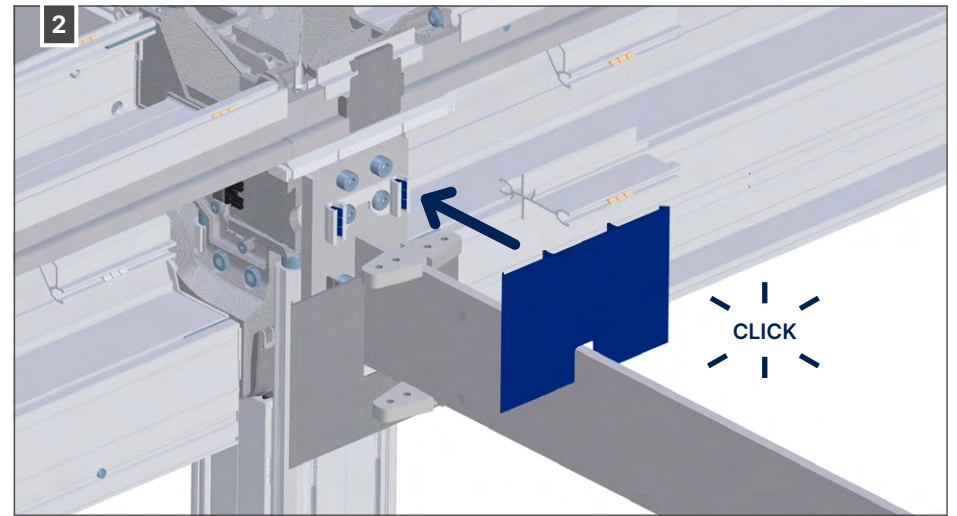
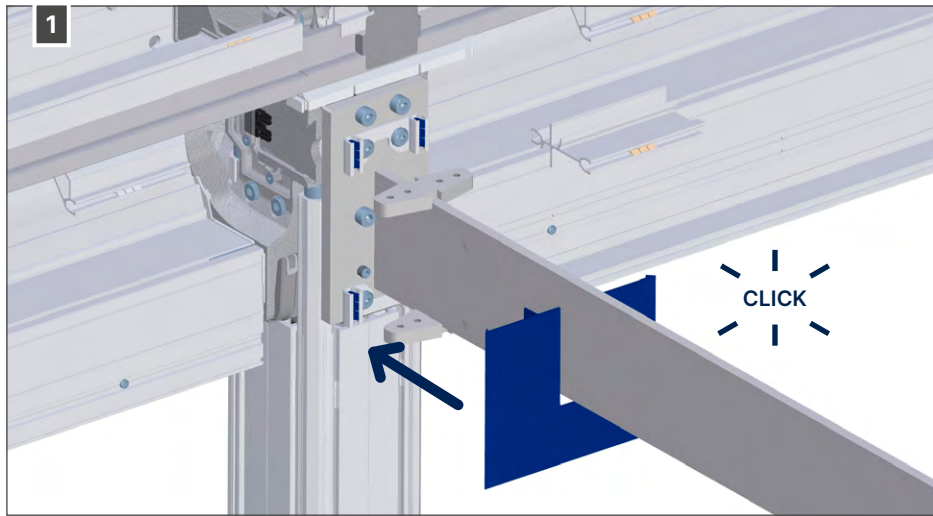
4.3.1 • End knife bracket



4.3.2 • Corner knife bracket

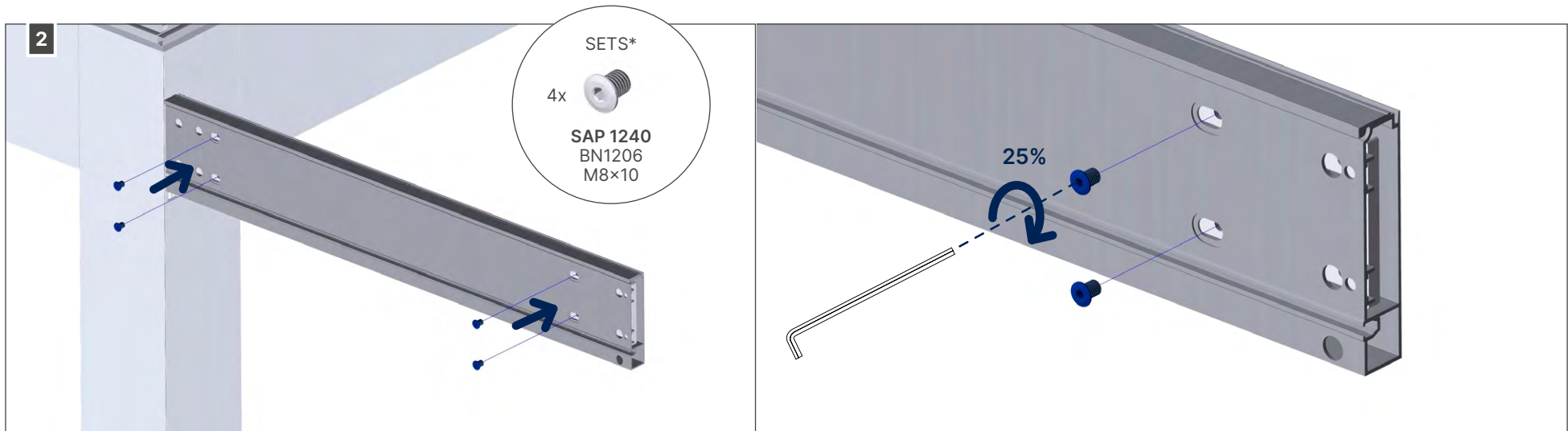
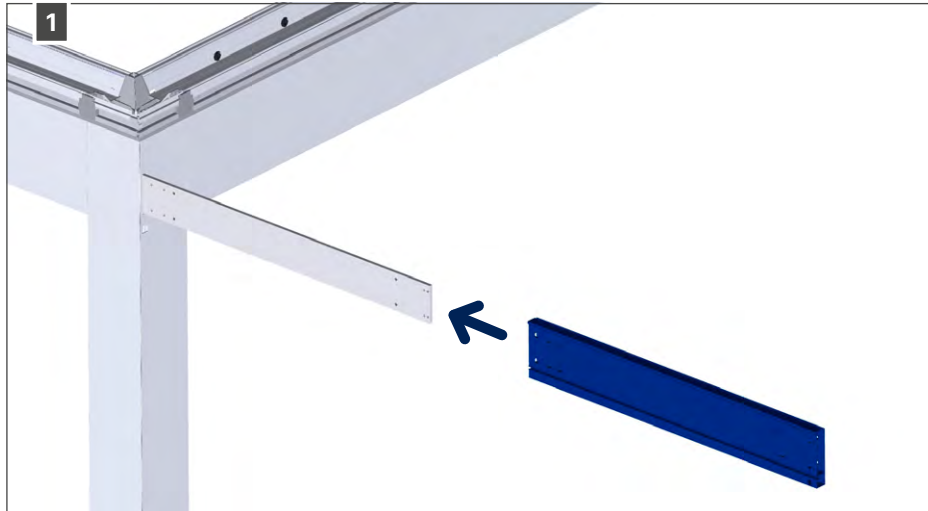


4.3.3 • Joining knife bracket



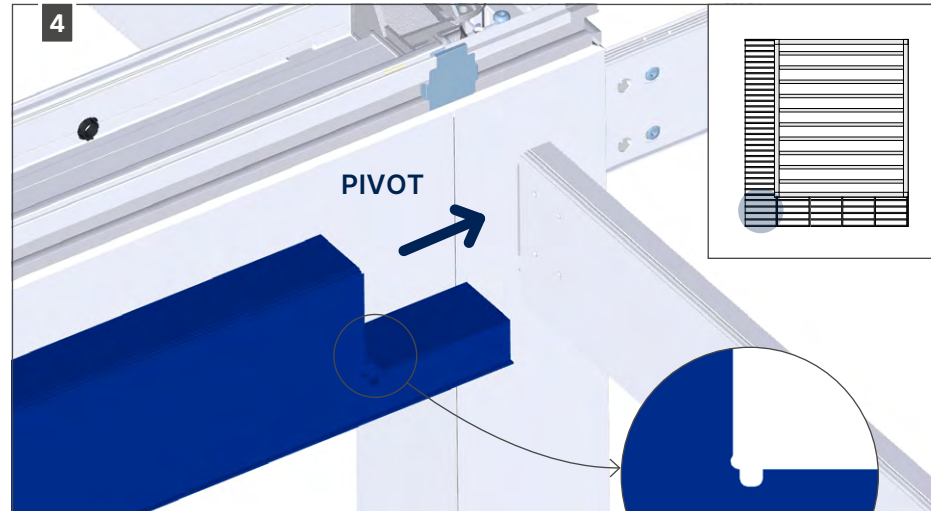
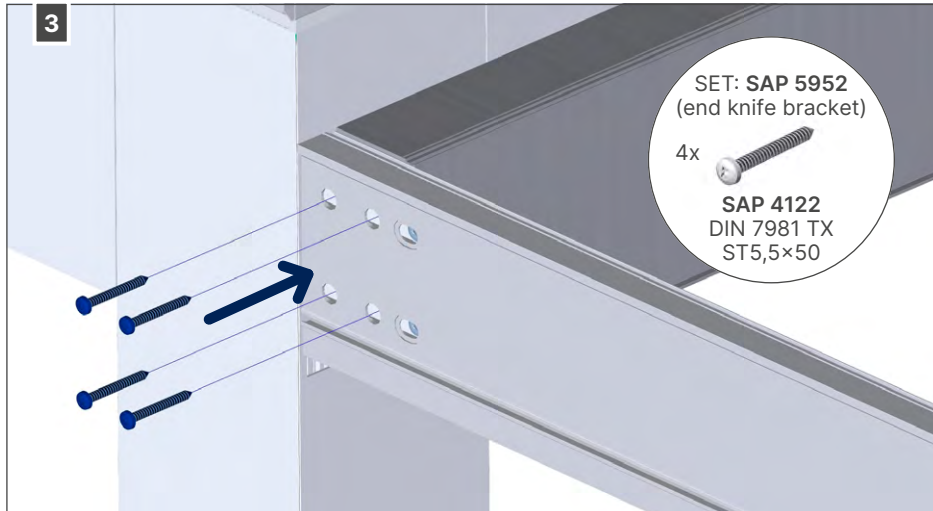
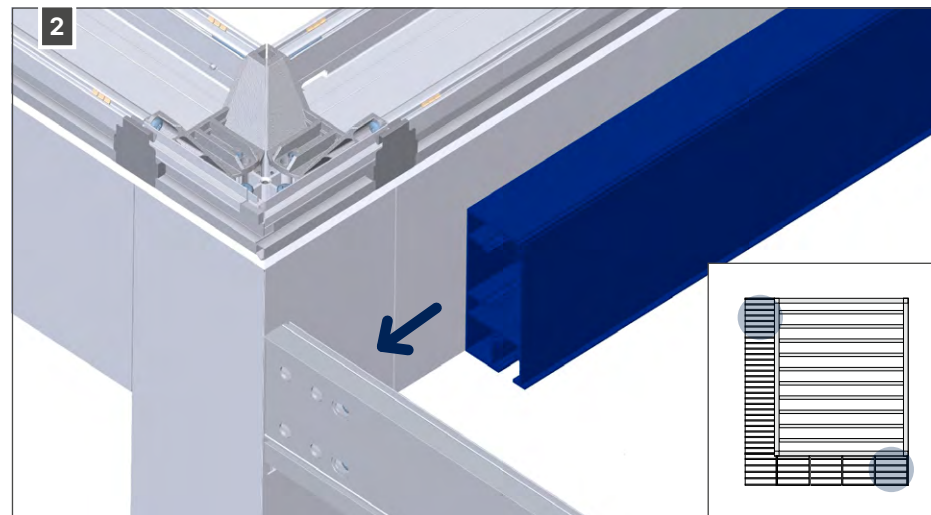
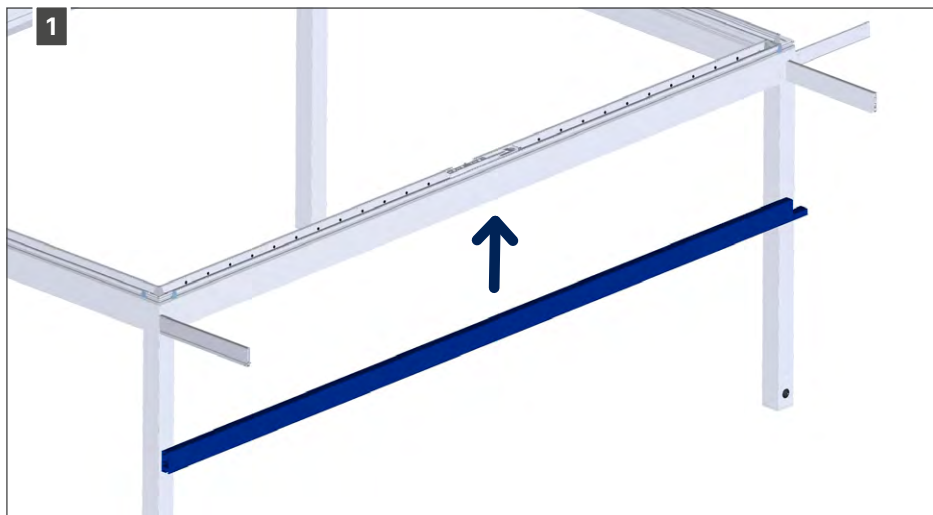
4.4 • Installation of louvred canopy frame

4.4.1 • Installing side profiles of end knife brackets and corner knife brackets

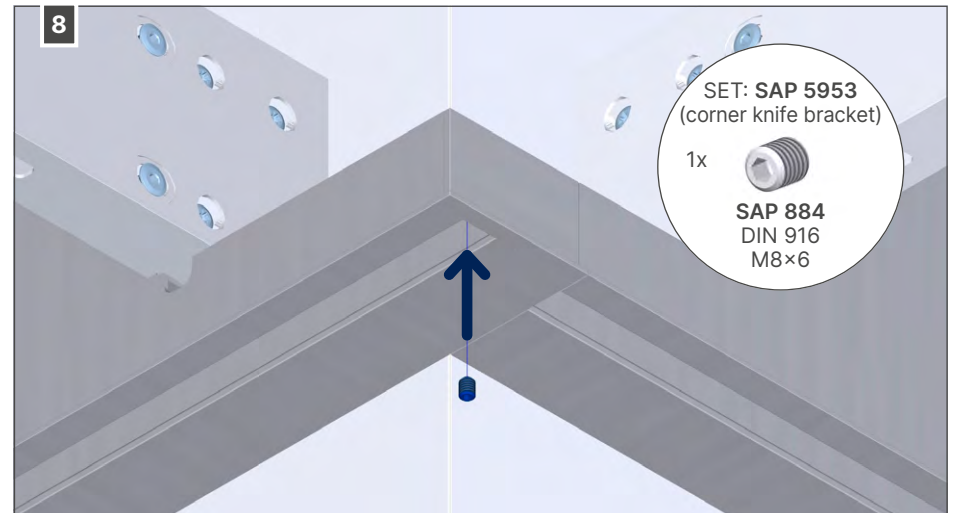
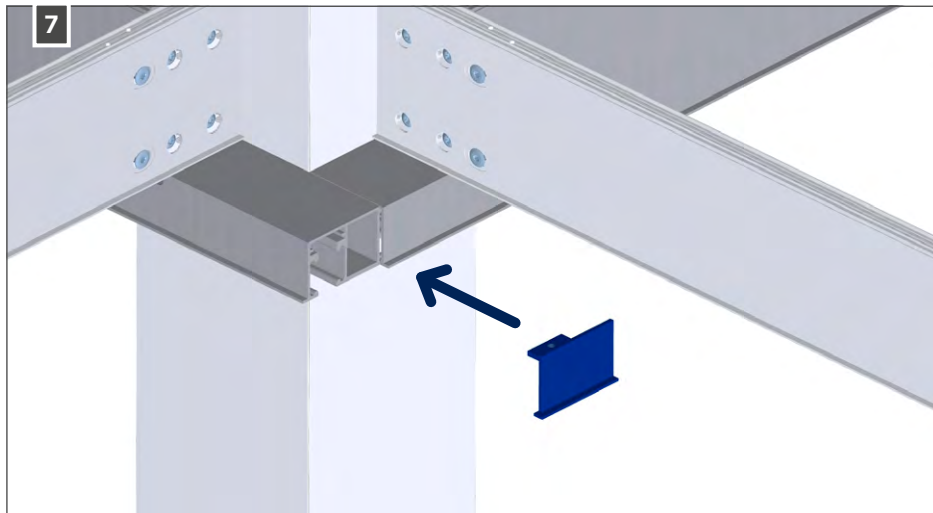
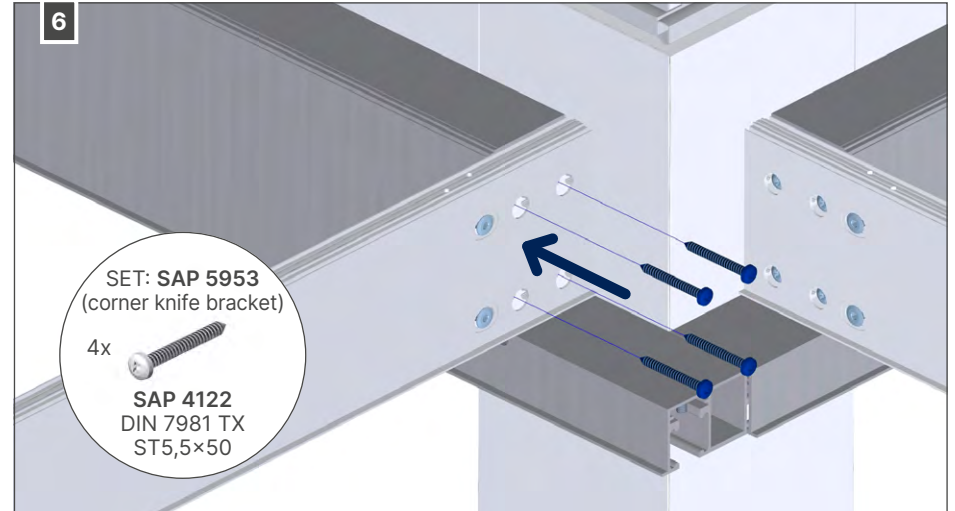
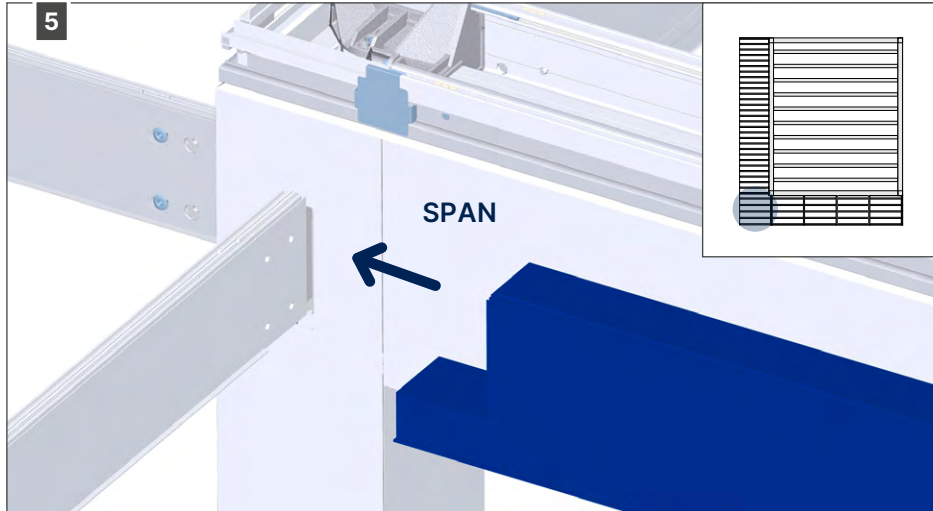


* SAP 5952: end knife bracket - SAP 5953: corner knife bracket

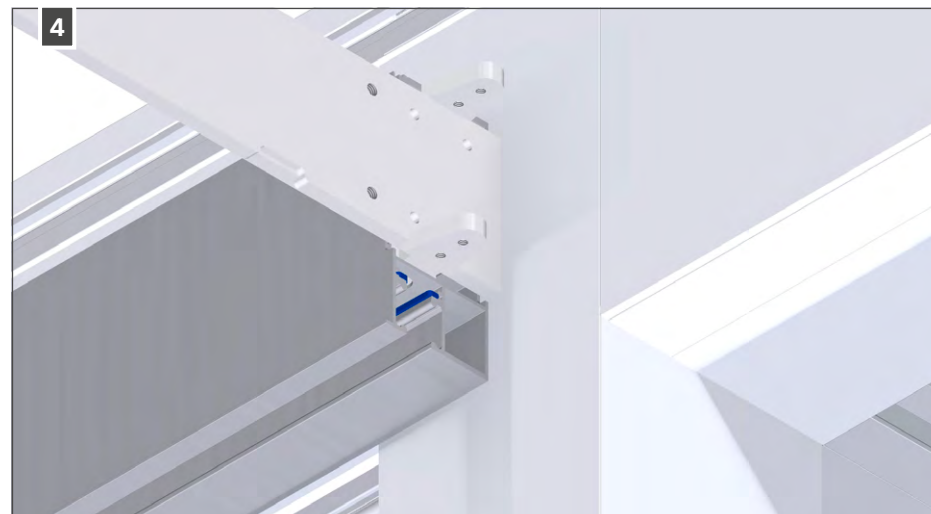
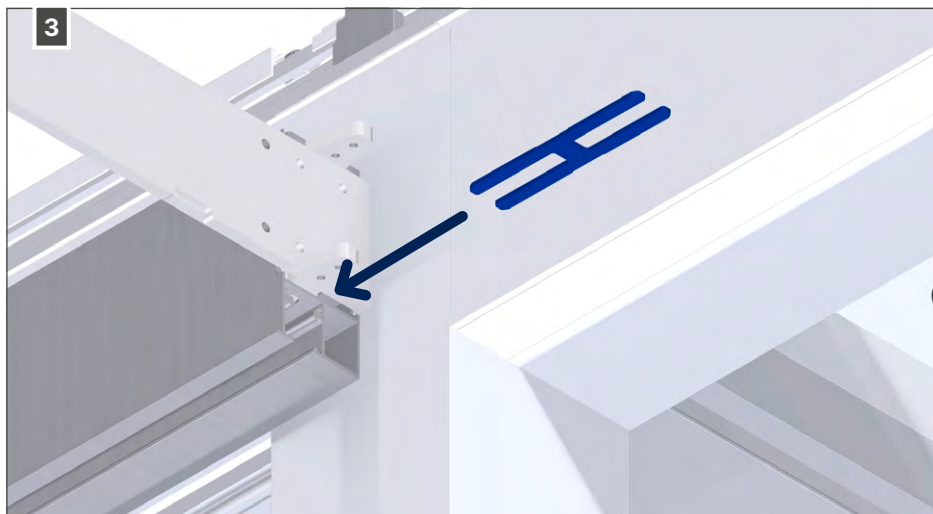
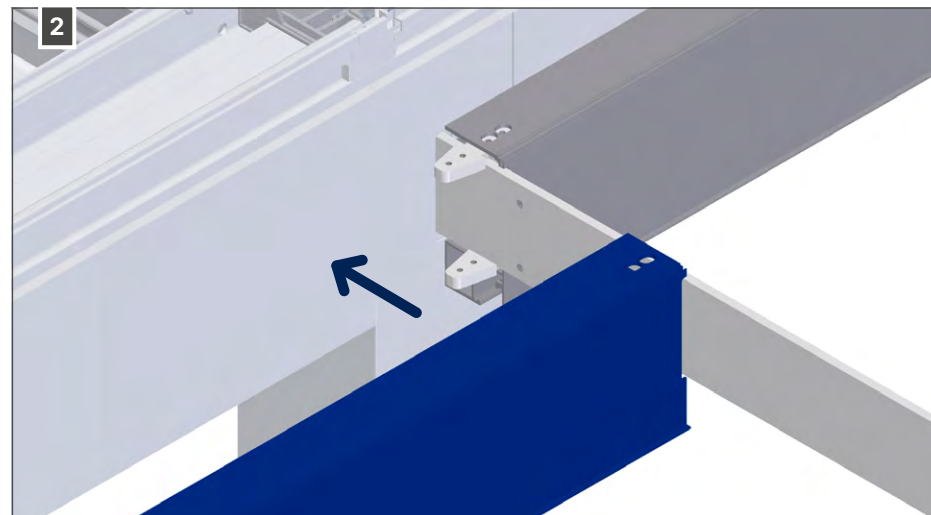
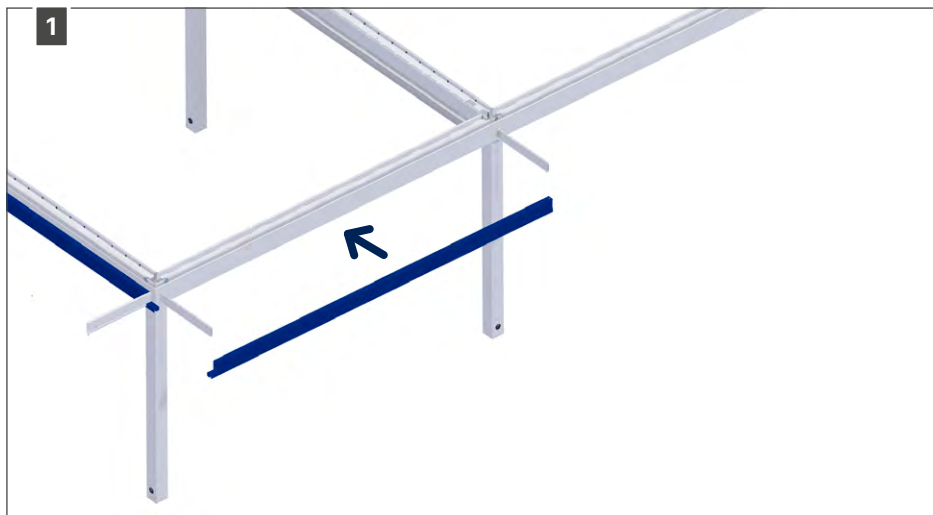
4.4.2 • Installing profile at the back of single roof sections

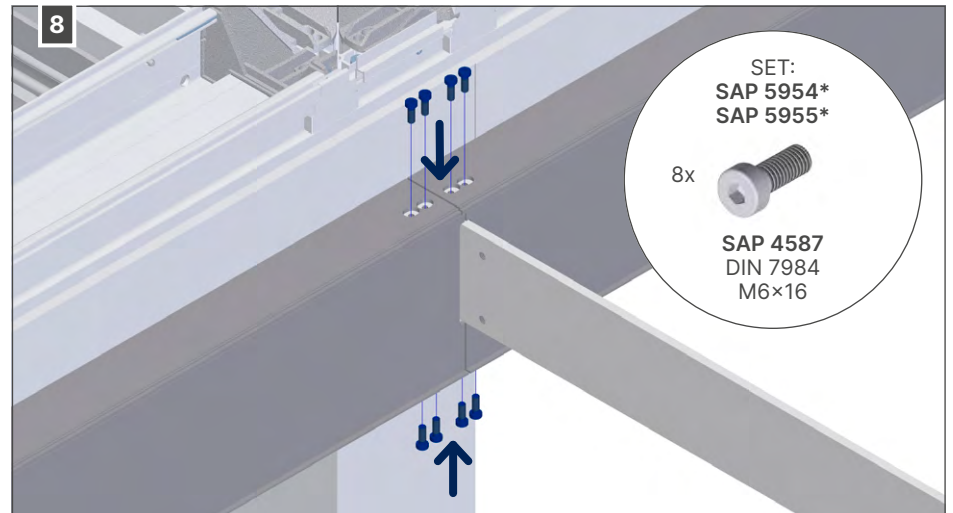
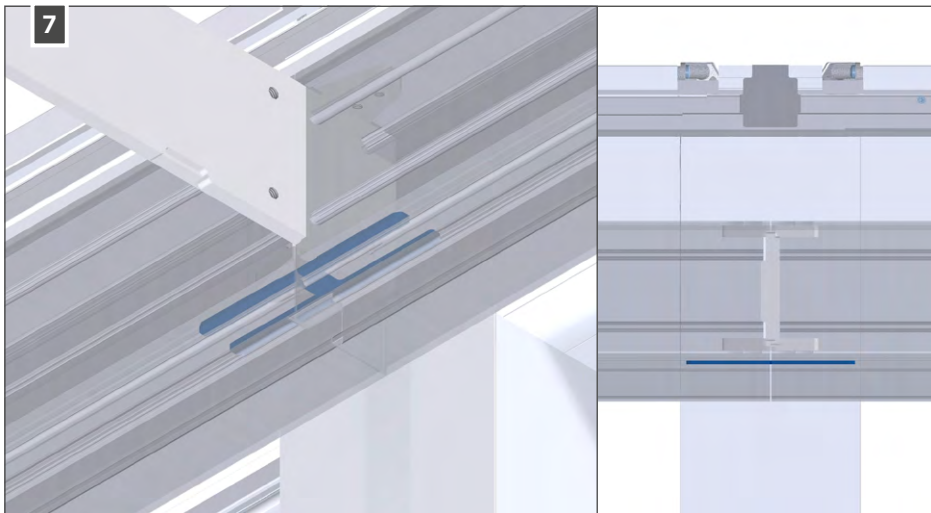
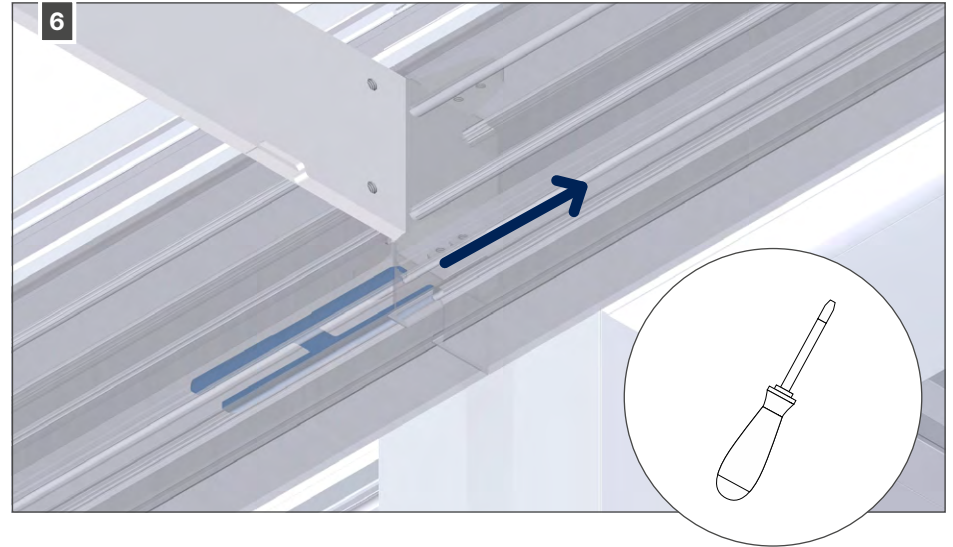
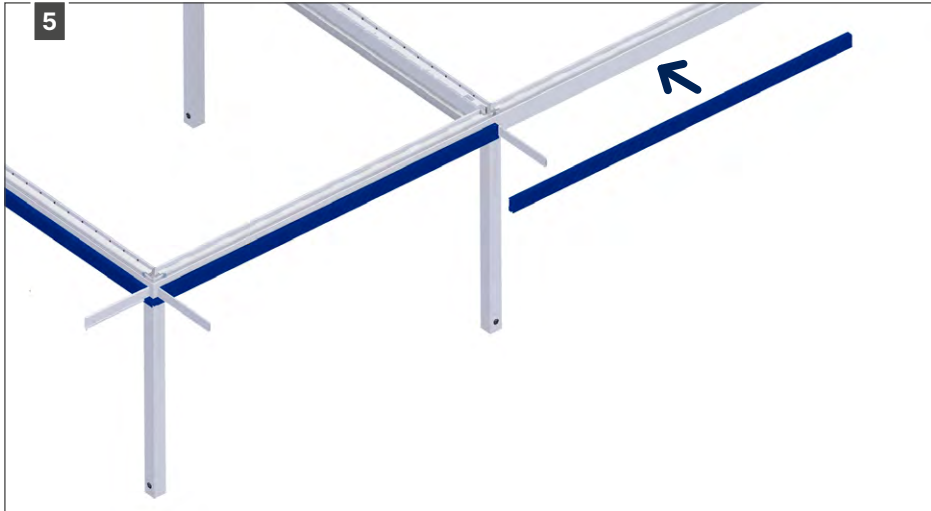


The recess is for the LED cable.



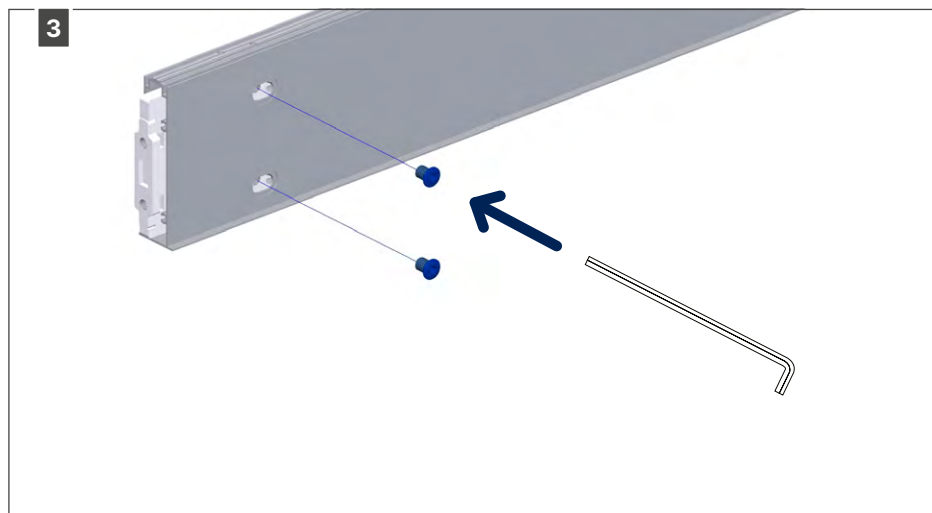
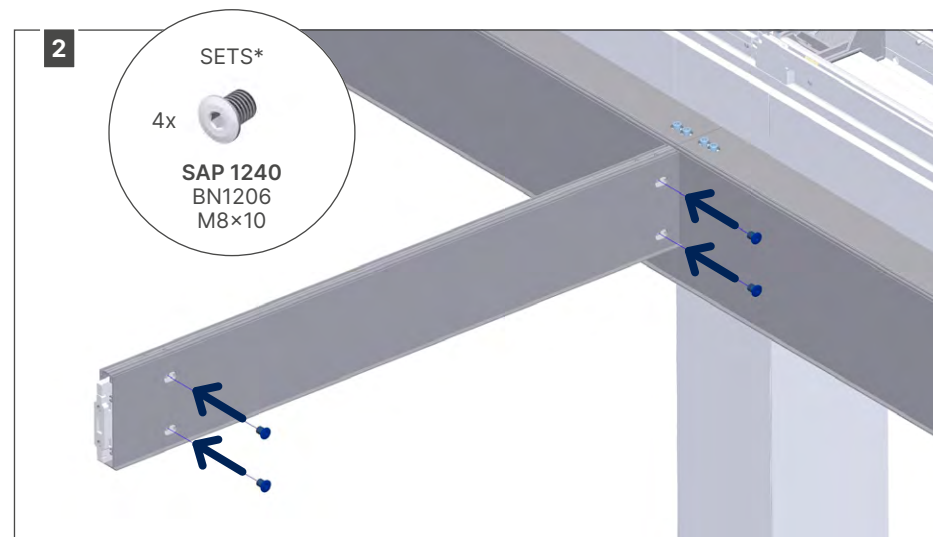
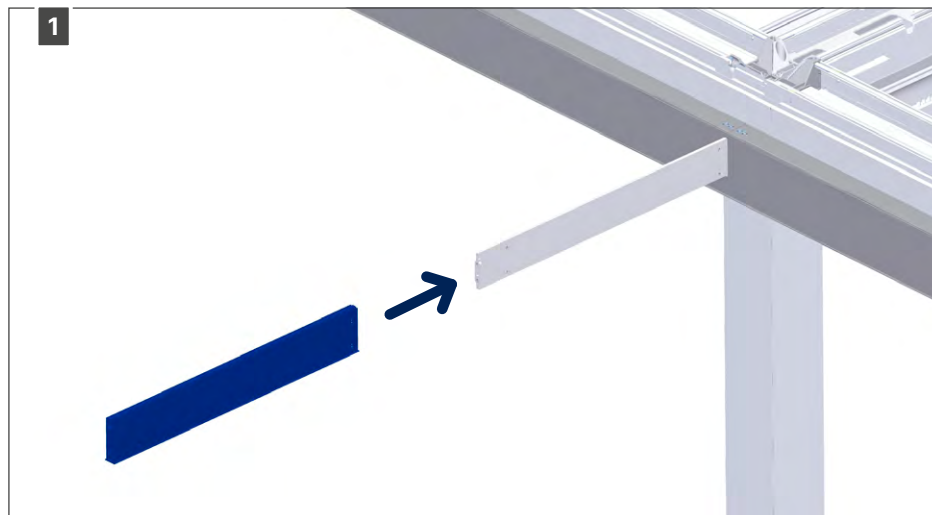
4.4.3 • Installing profile at the back of joined roof sections





* SAP 5954: joining knife bracket pivot - SAP 5955: joining knife bracket span

4.4.4 • Installing the side profile of the joining knife bracket

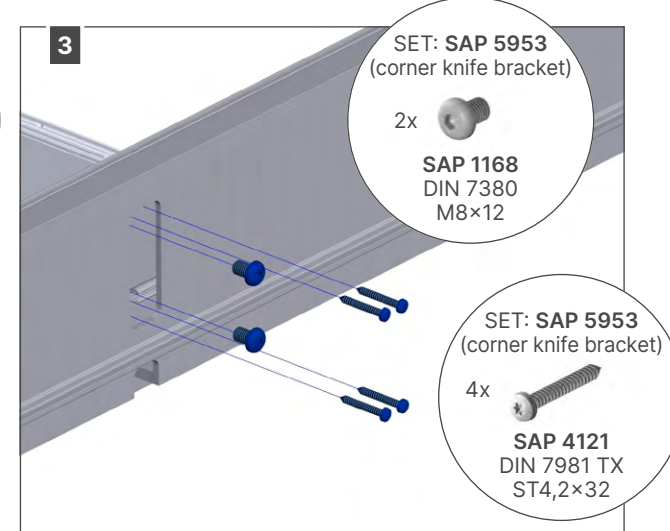
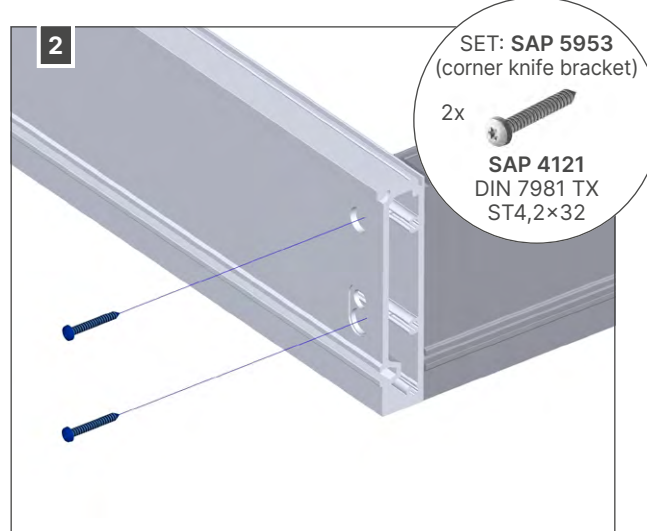
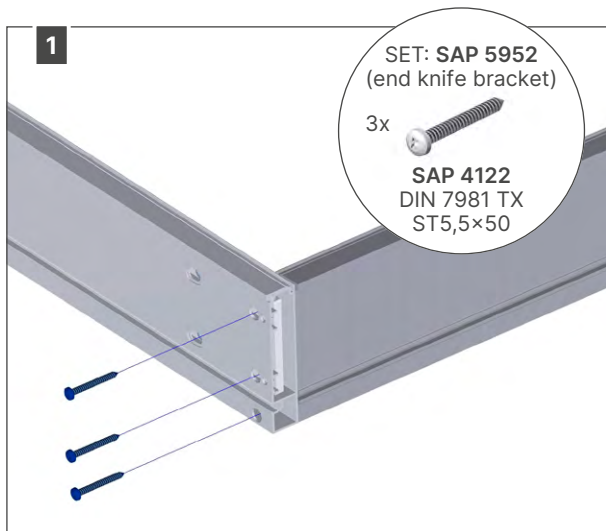
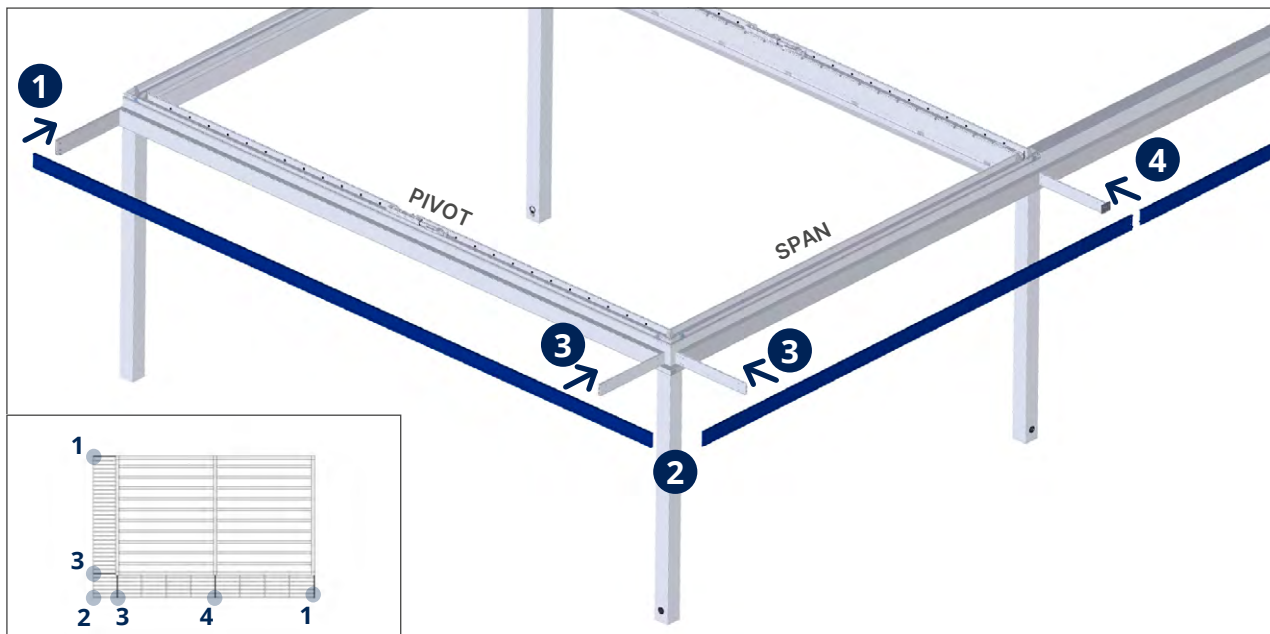


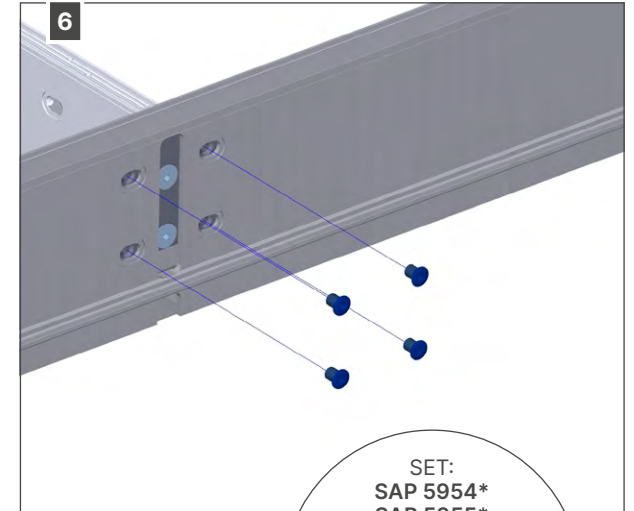
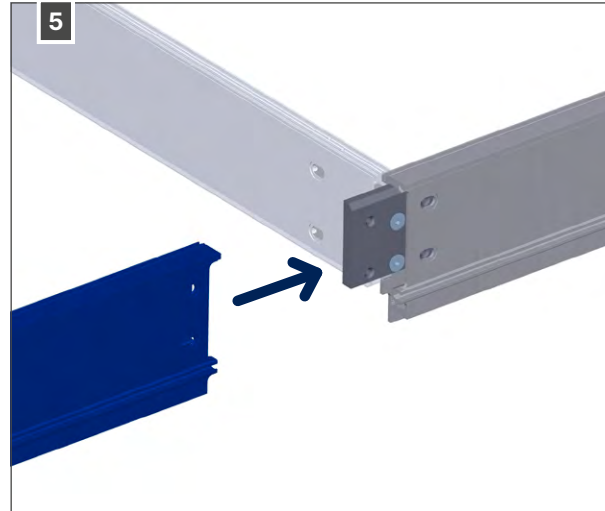
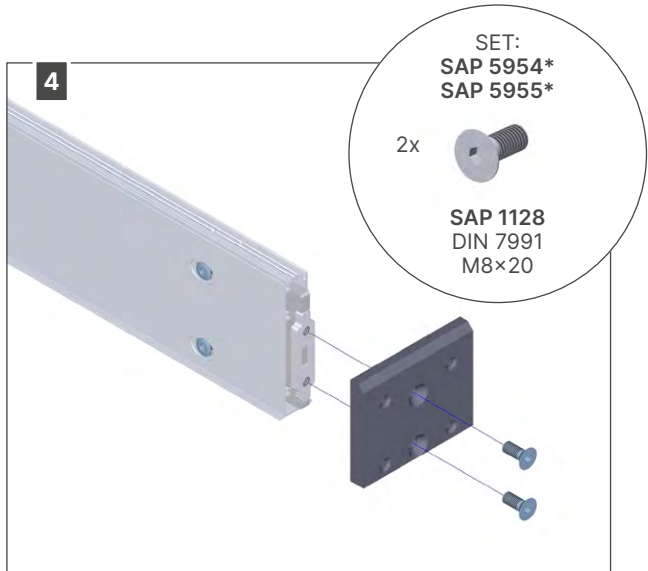
* SAP 5954: joining knife bracket pivot - SAP 5955: joining knife bracket span

4.4.5 • Fixing side profiles of end knife brackets and corner knife brackets



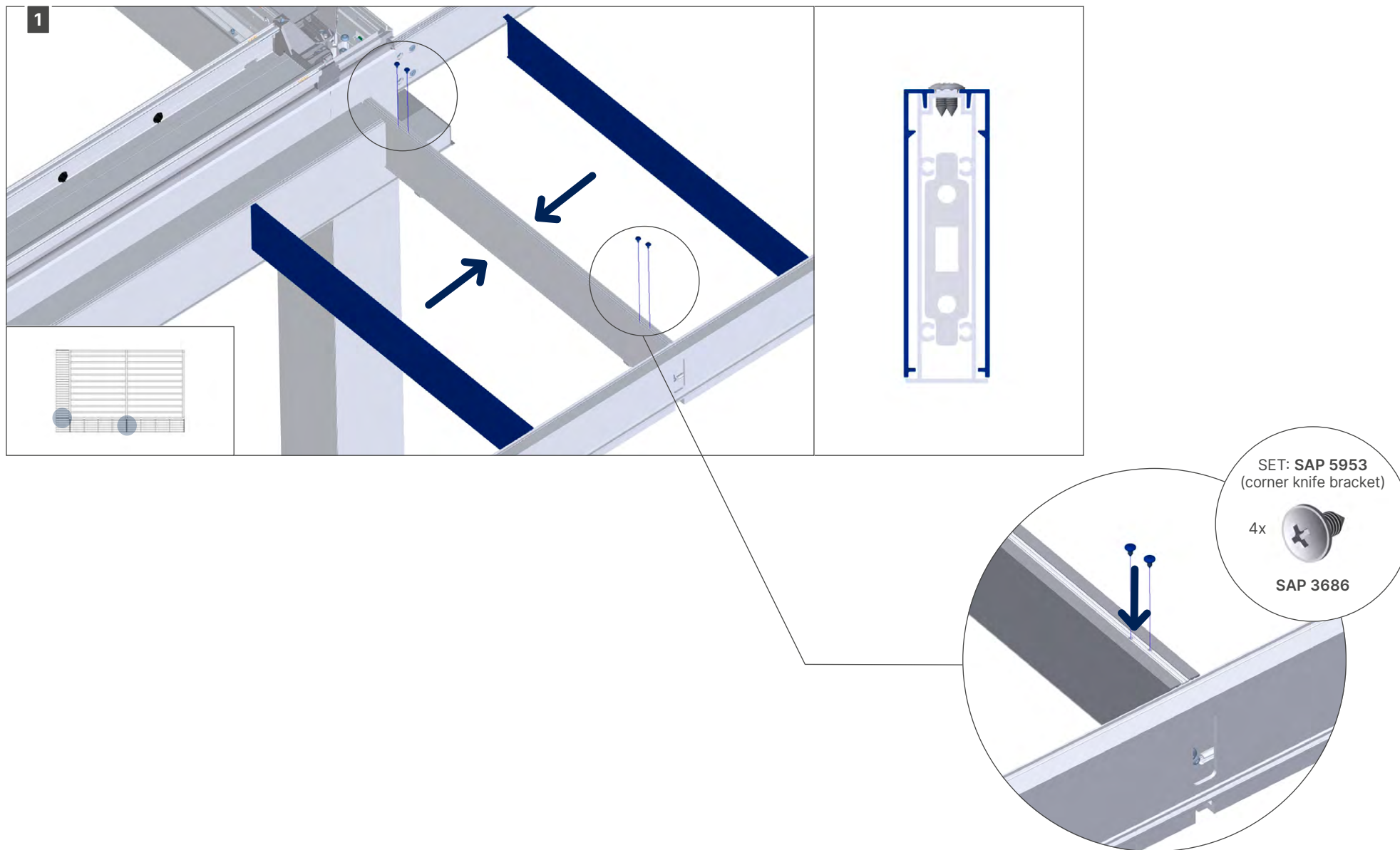
4.4.6 • Installing front profiles





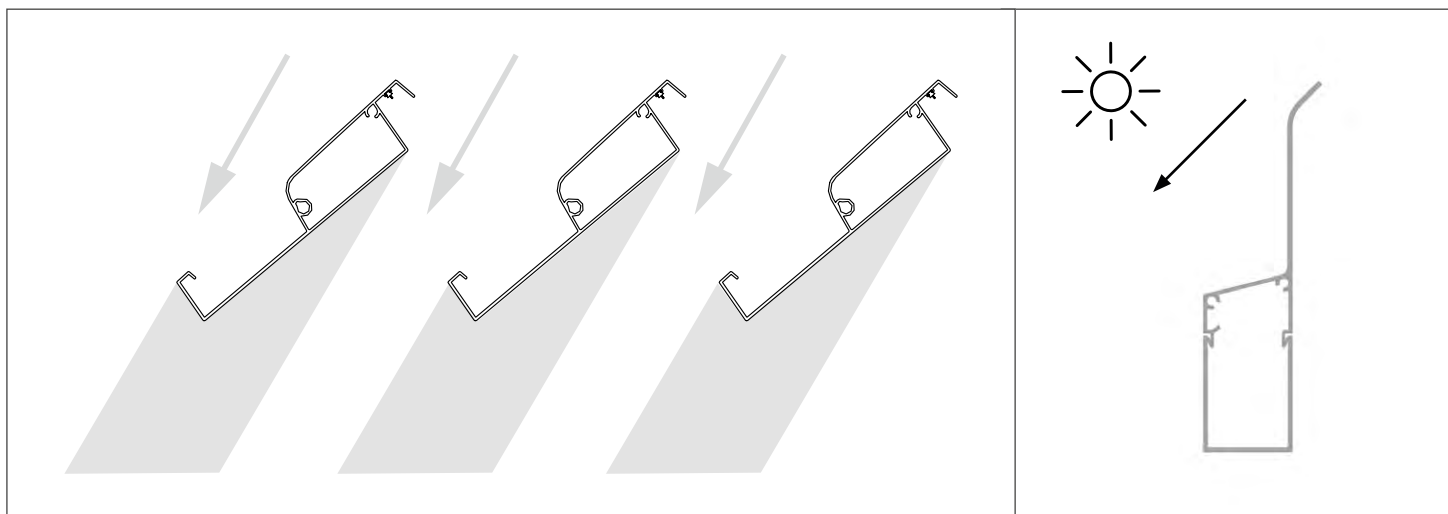
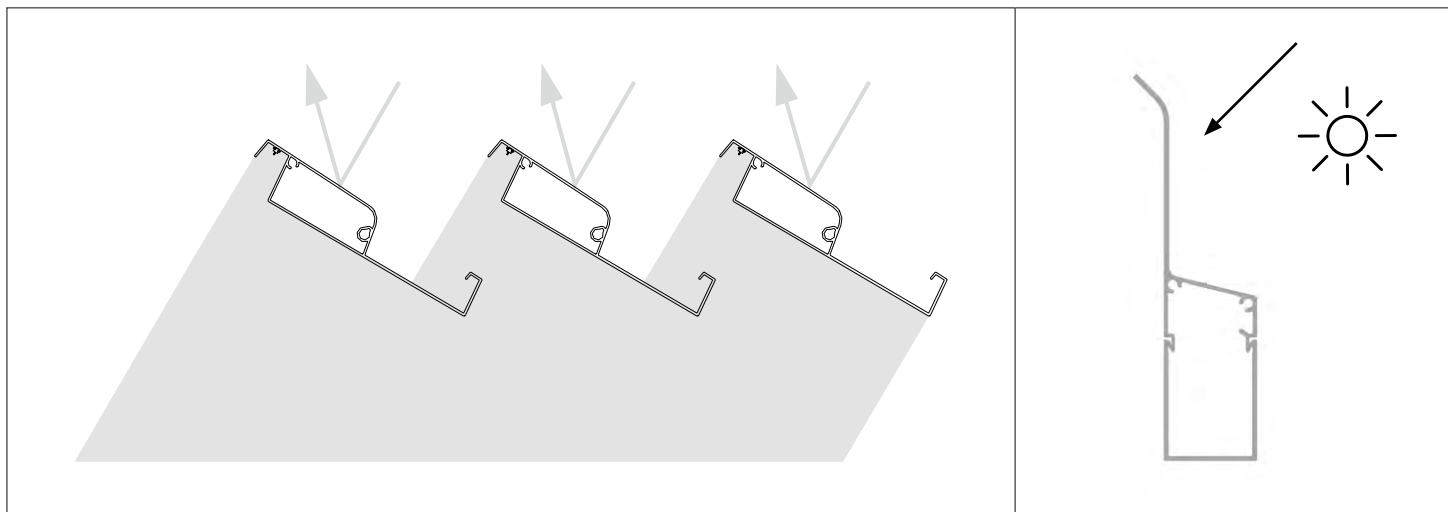
* SAP 5954: joining knife bracket pivot - SAP 5955: joining knife bracket span

4.4.7 • Fitting cover on side knife brackets

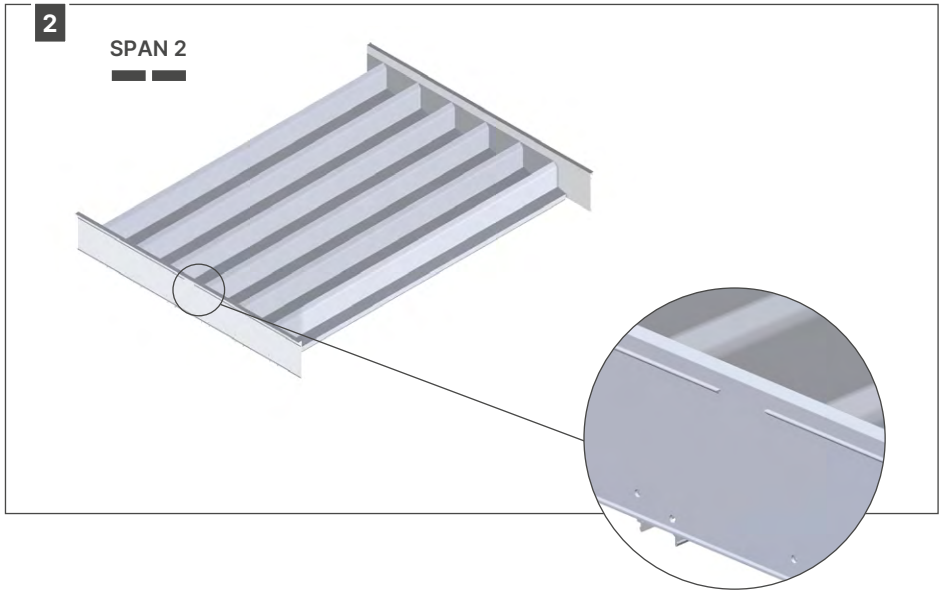
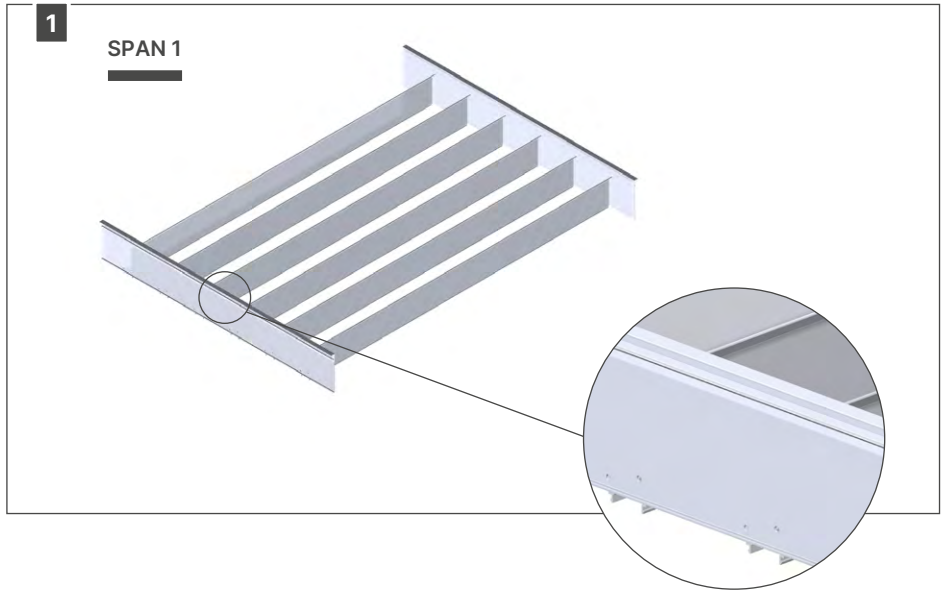
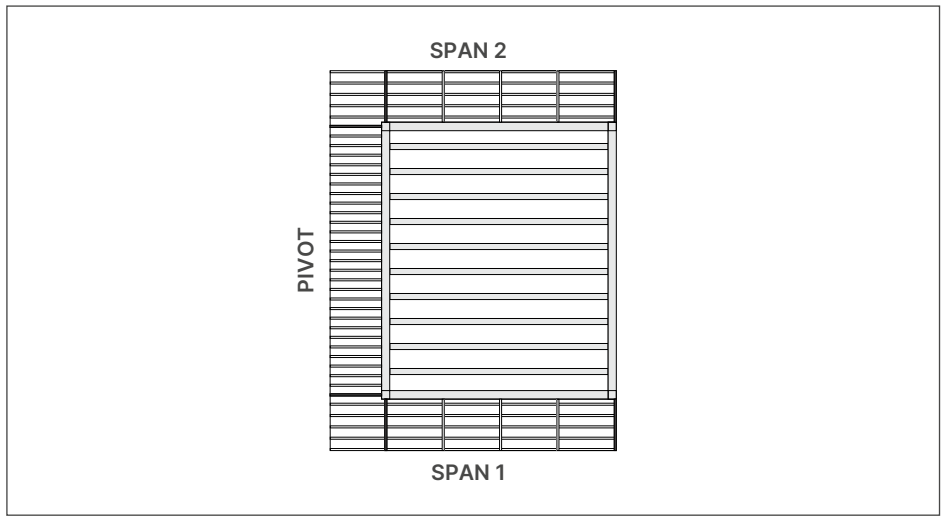


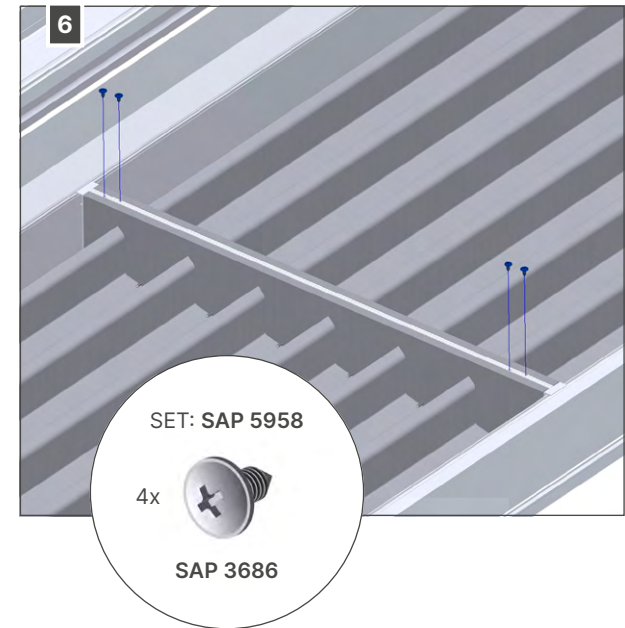
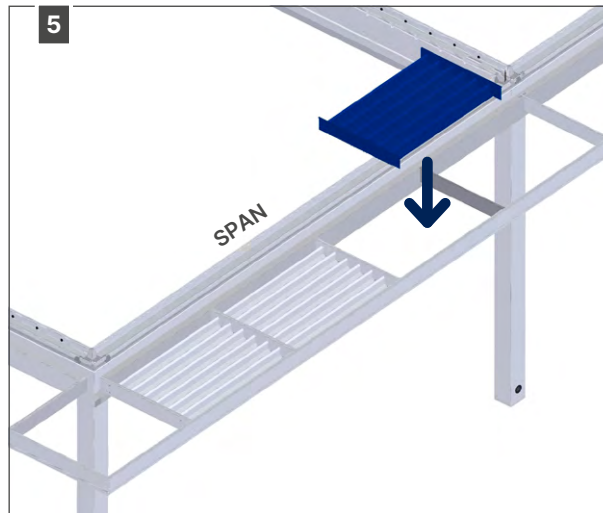
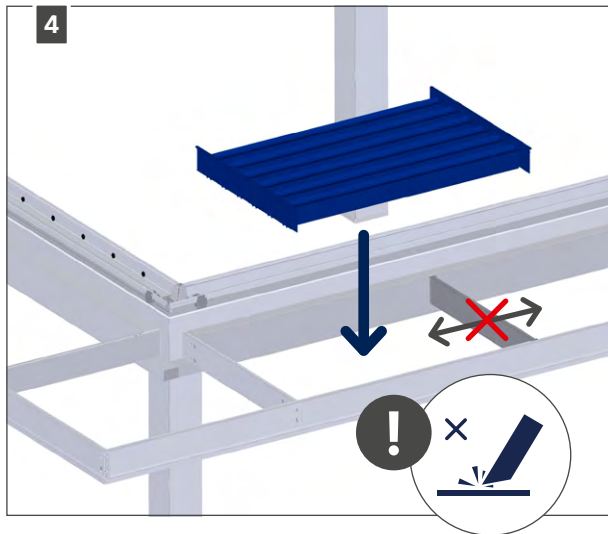
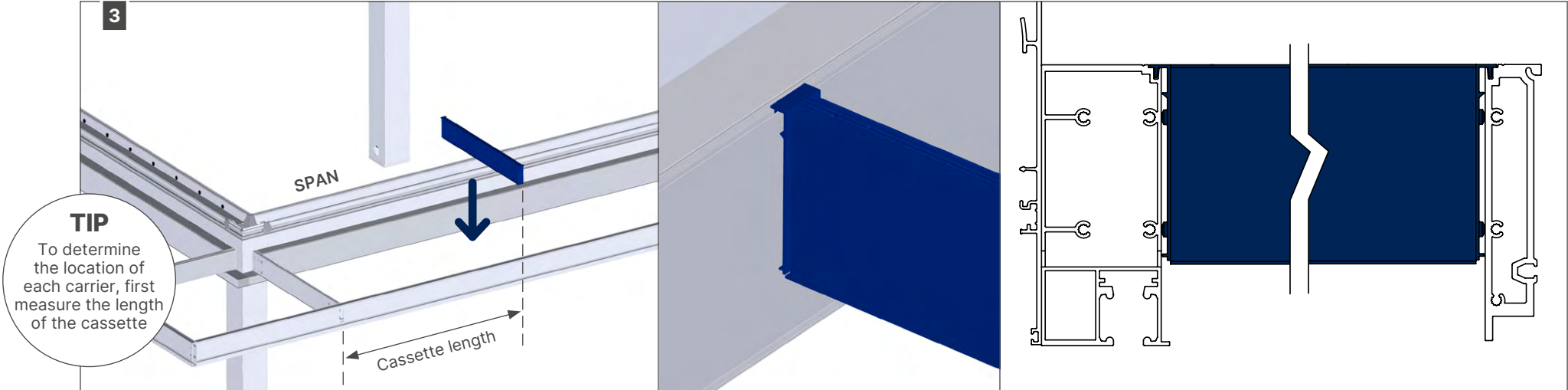
4.5 • Installation of cassettes

4.5.1 • Orientation of cassettes

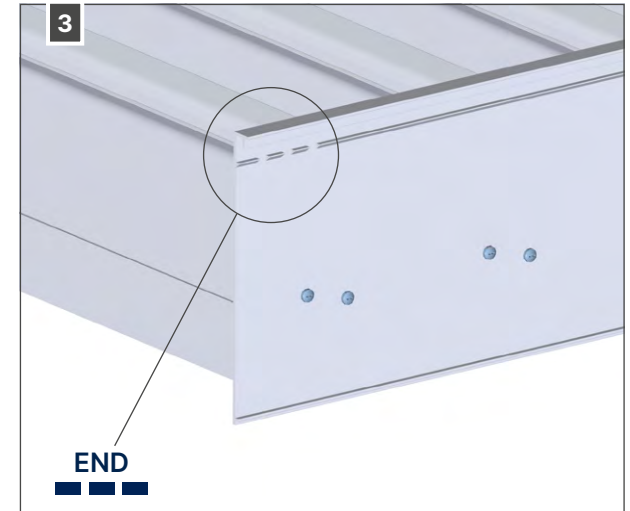
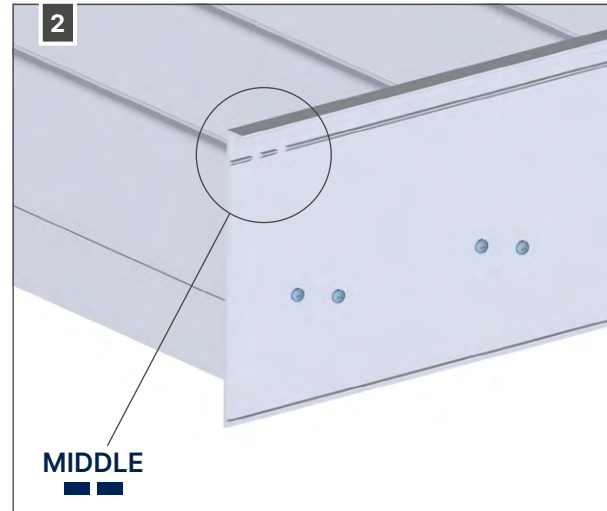
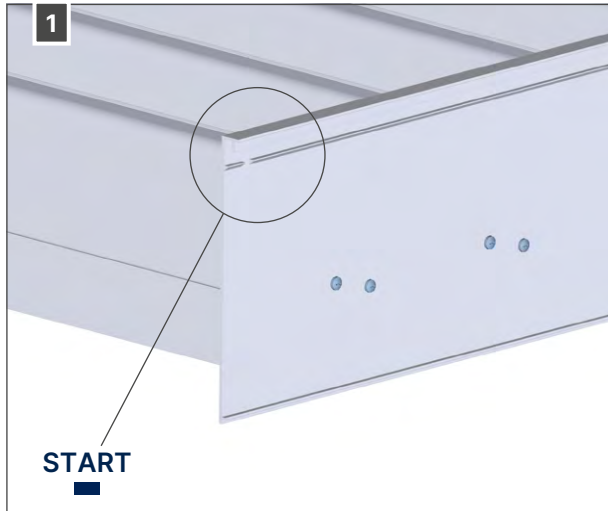
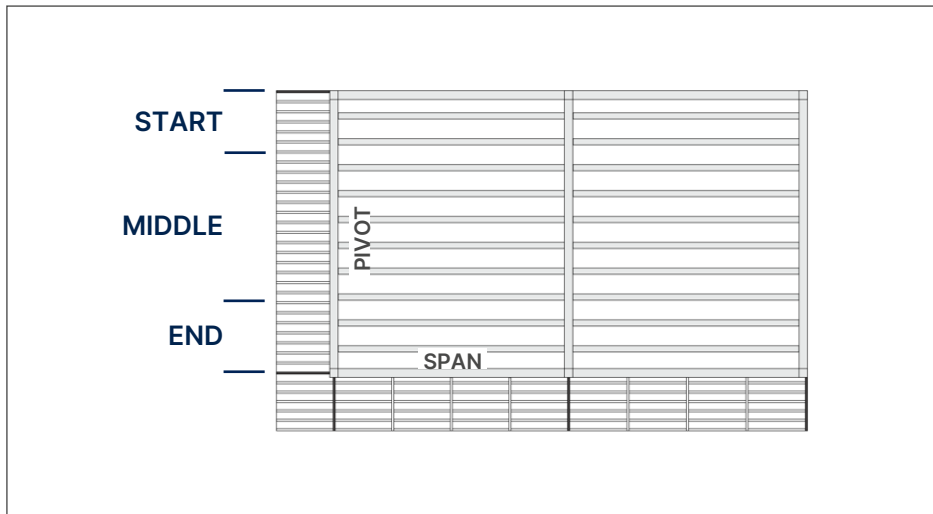


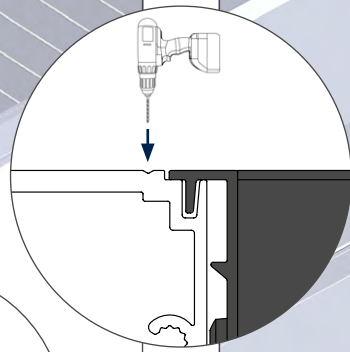
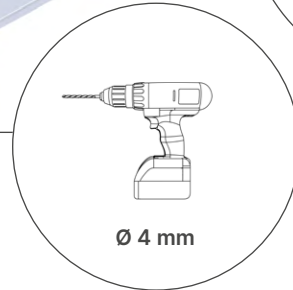
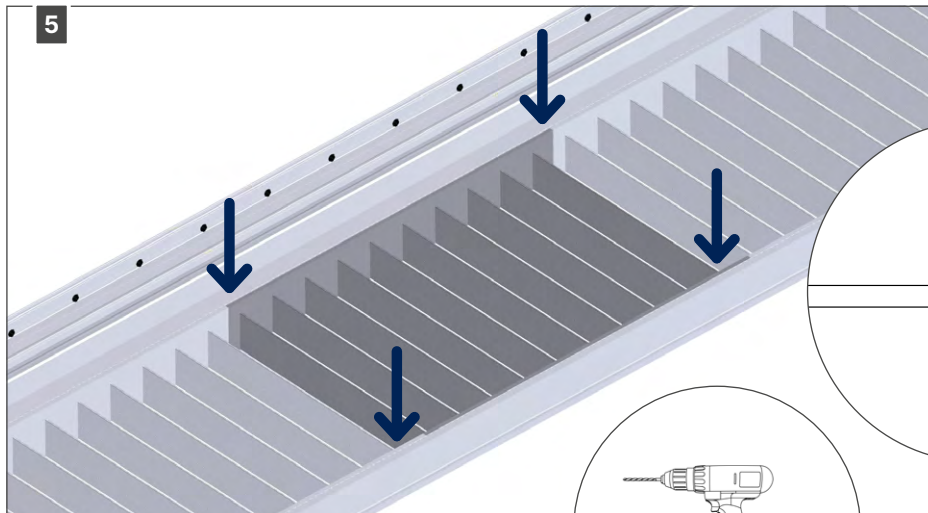
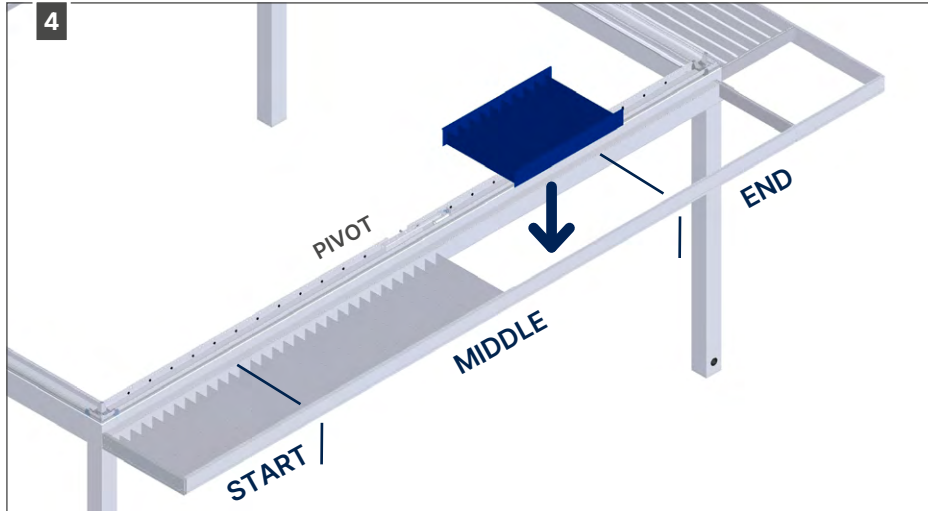
4.5.2 • Cassettes on span

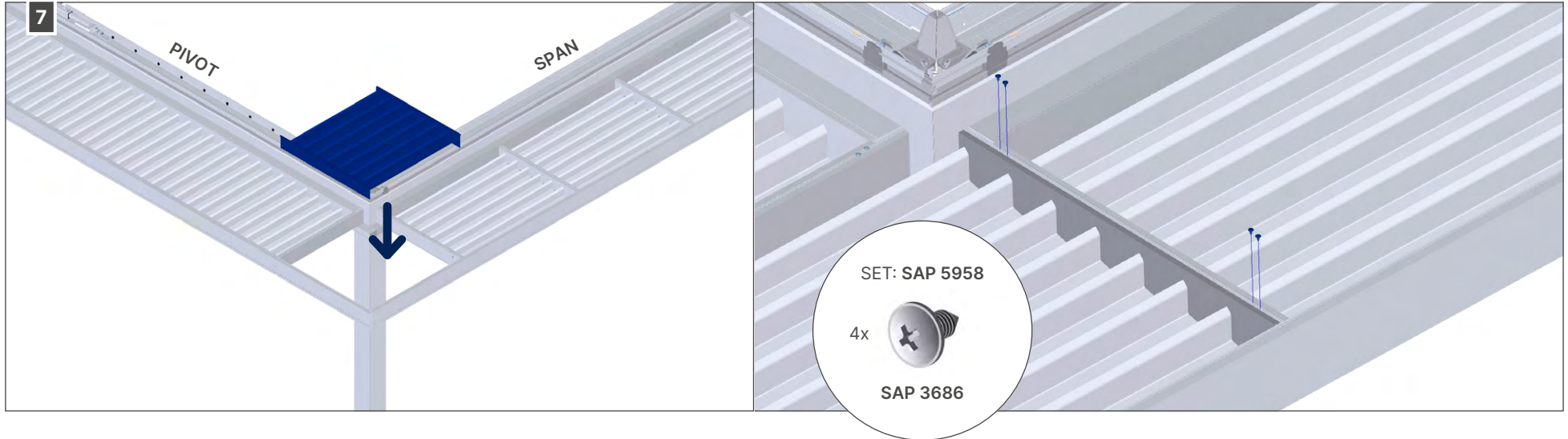




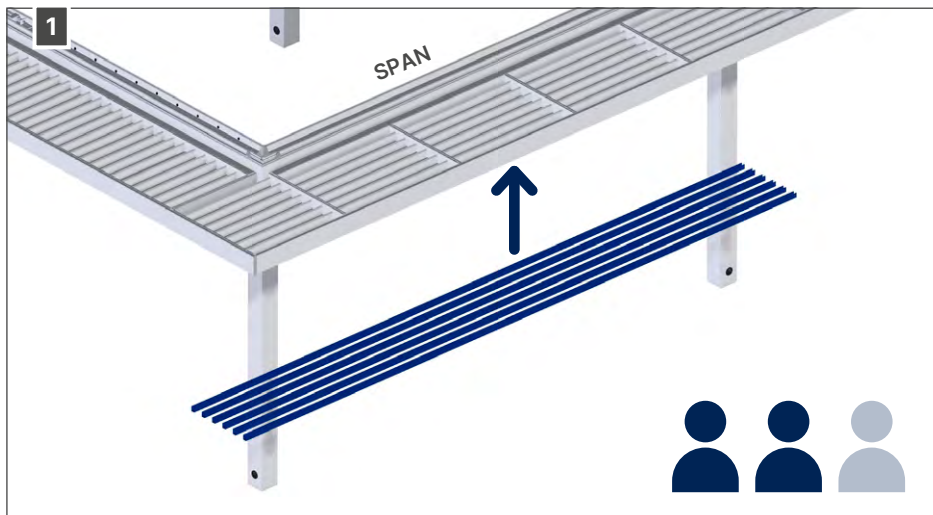
4.5.3 • Cassettes on pivot

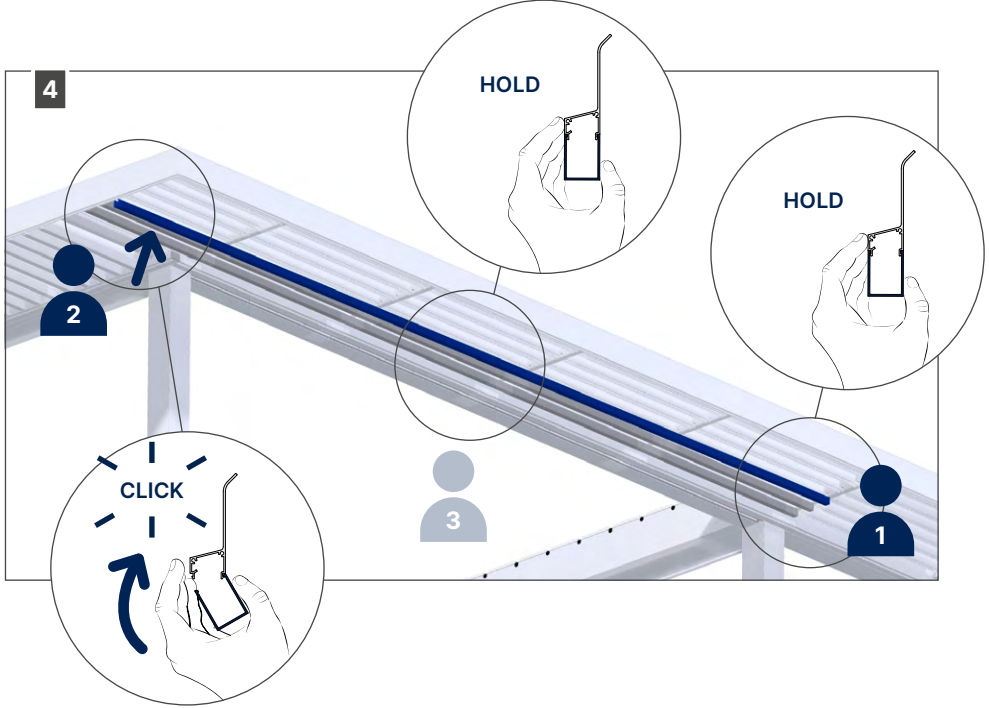
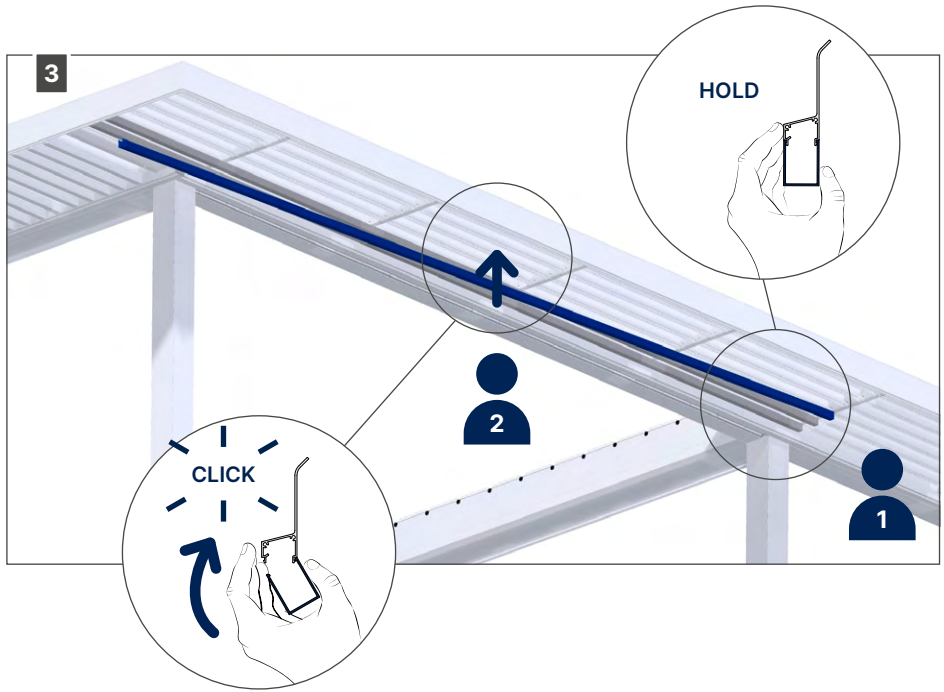
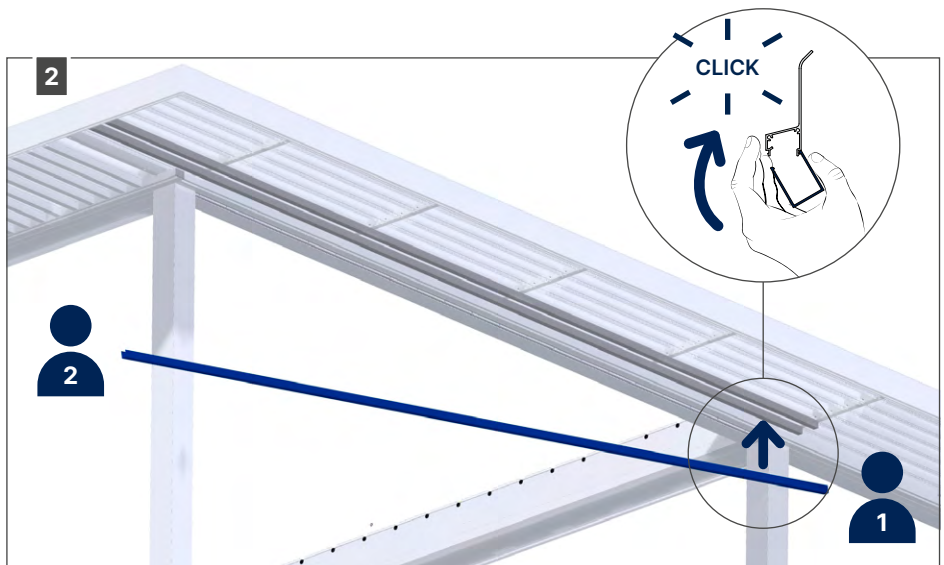




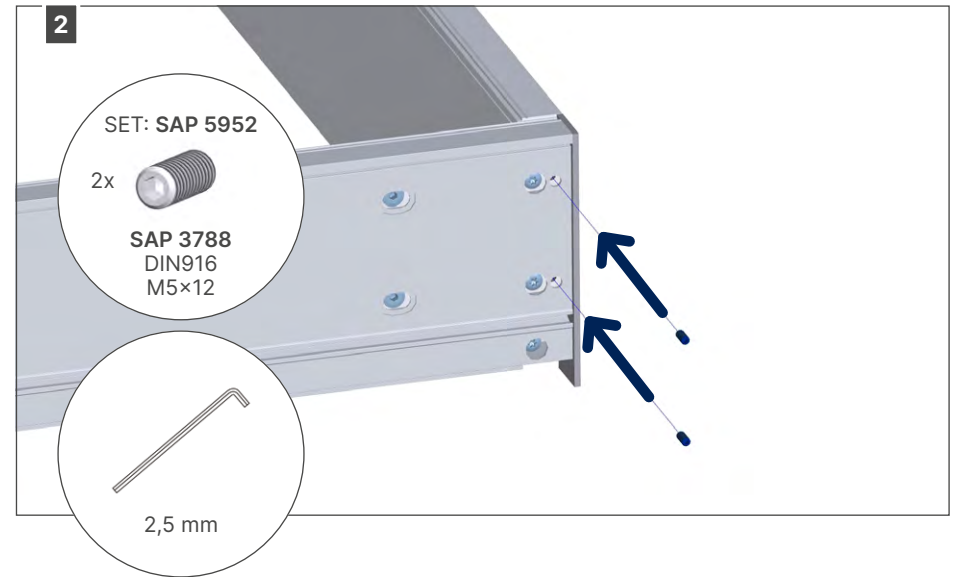


4.5.4 • Installing blades under louvred canopy

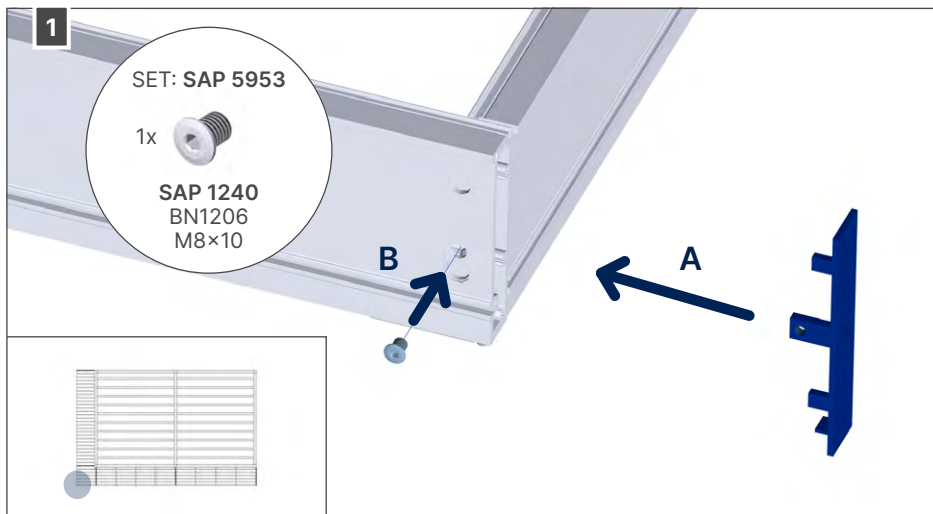




4.5.5 • Installing end cap for end knife bracket



4.5.6 • Installing end cap on corner



4.6 • Louvred canopy without iconic LED-line

Fitting cover on front profile



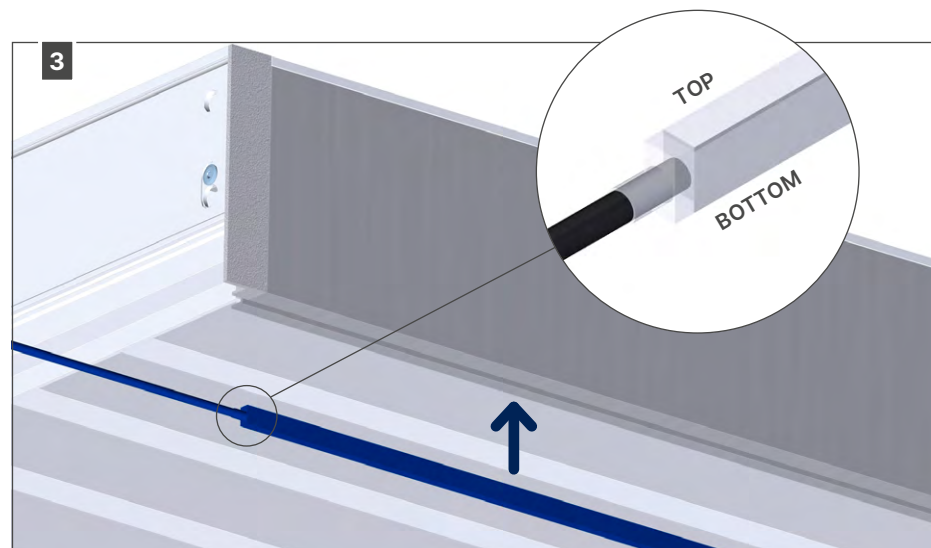
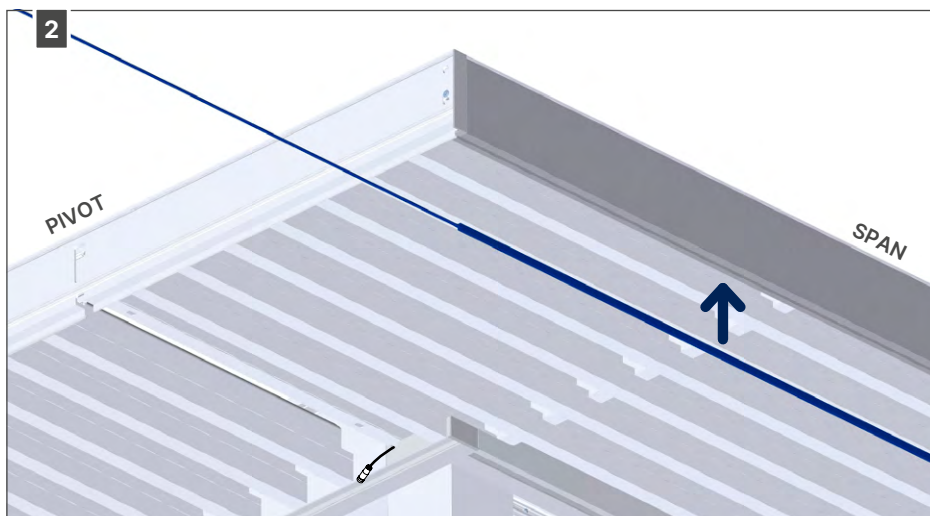
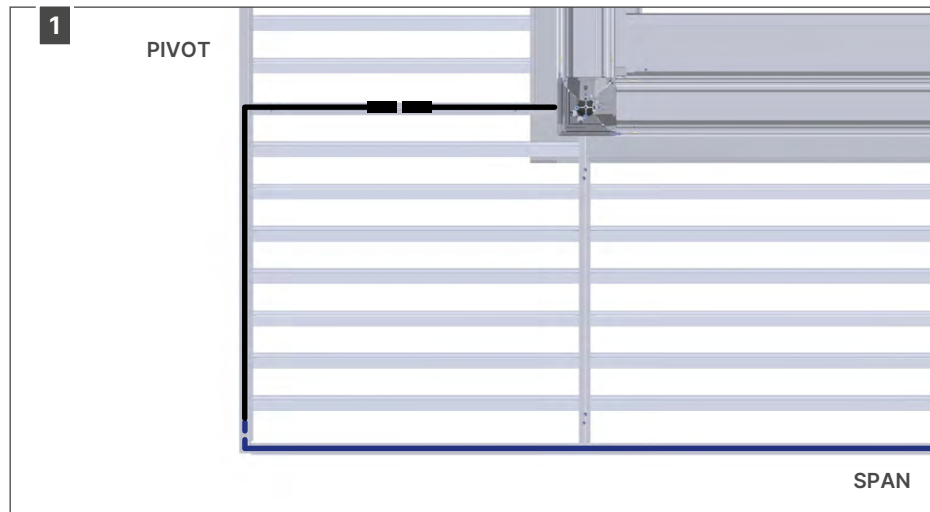
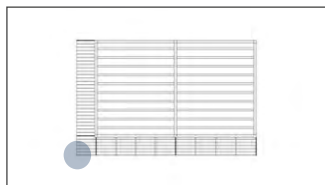
4.7 • Fitting cables with optional LED lighting

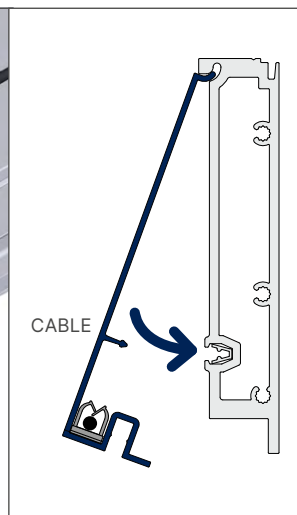
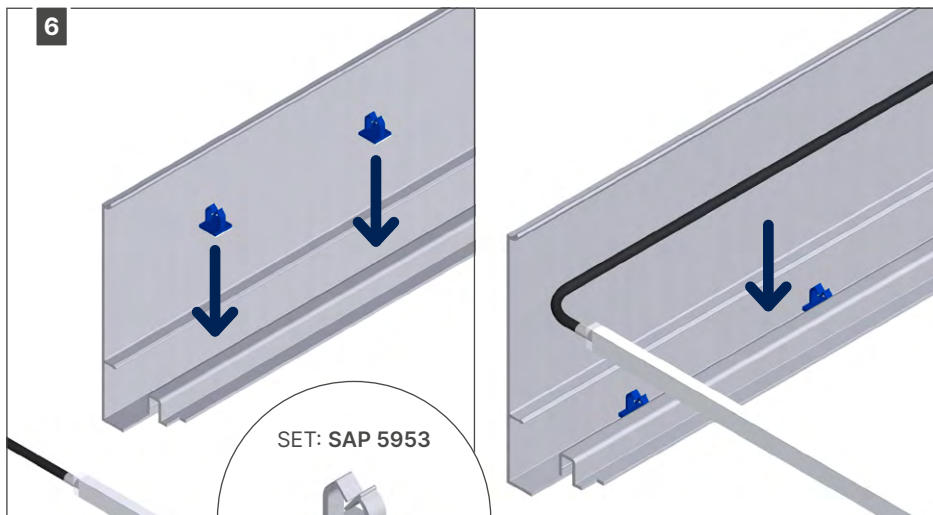
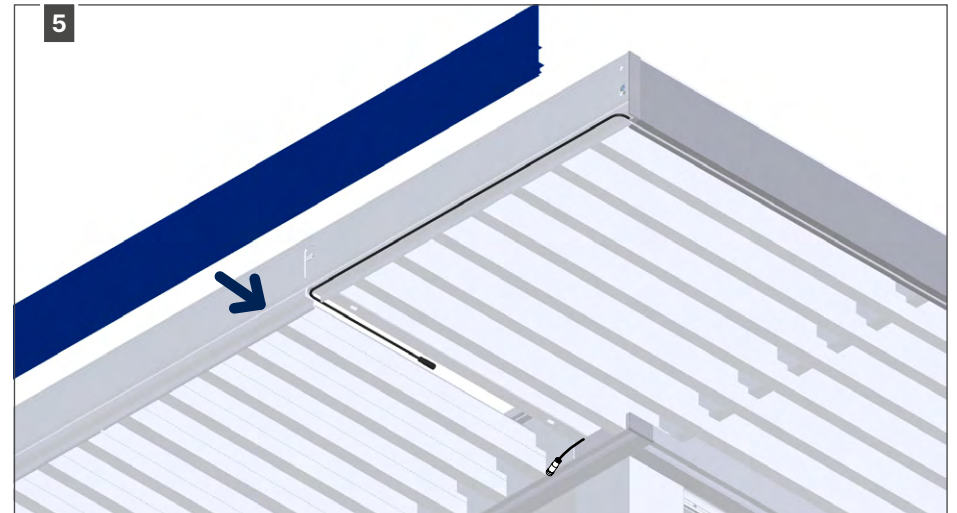
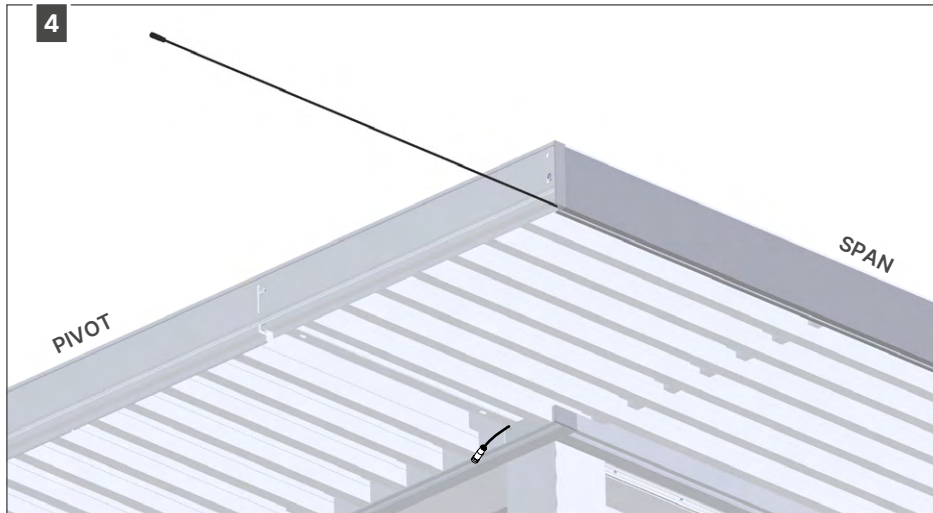
Rules:

1. Cable iconic LED-line can be installed via the end knife or the corner knife bracket on the pivot side
2. Cable iconic LED-line cannot run via coupling knife bracket
3. No two LED cables can run via end knife bracket; however, they can run via the corner knife bracket on the pivot side
4. If possible, preference is to run via the end blade bracket

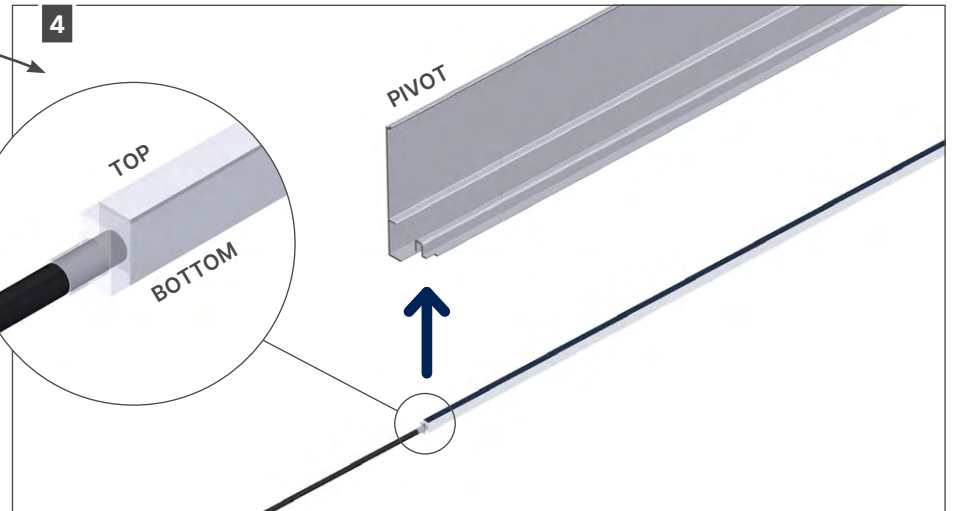
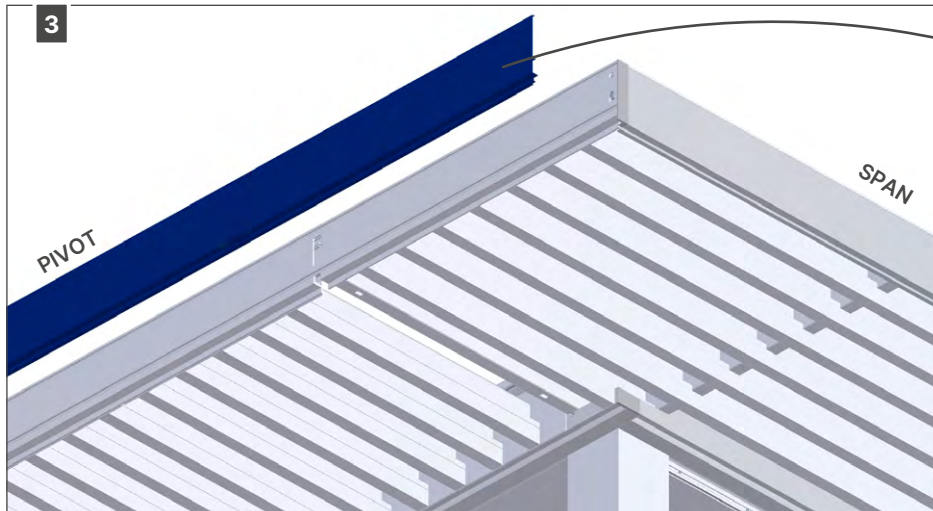
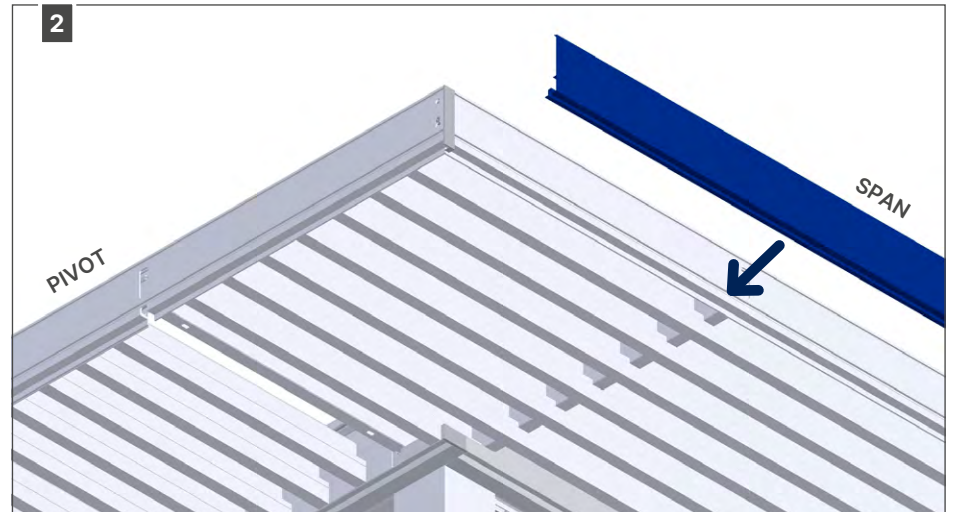
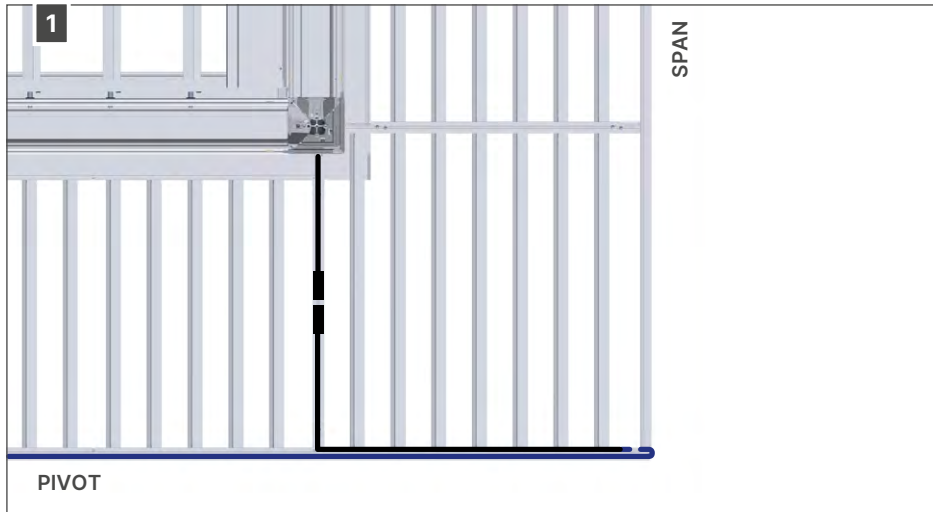
4.7.1 • Via corner knife bracket

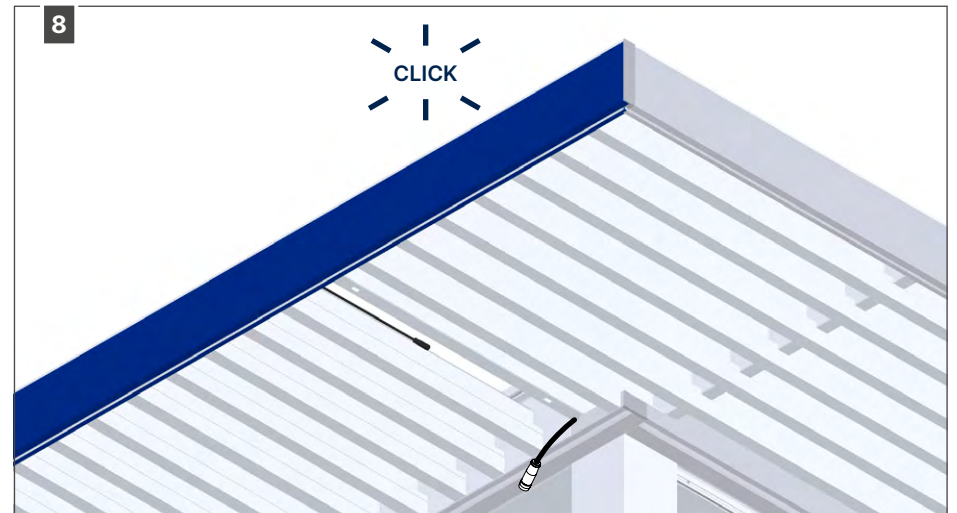
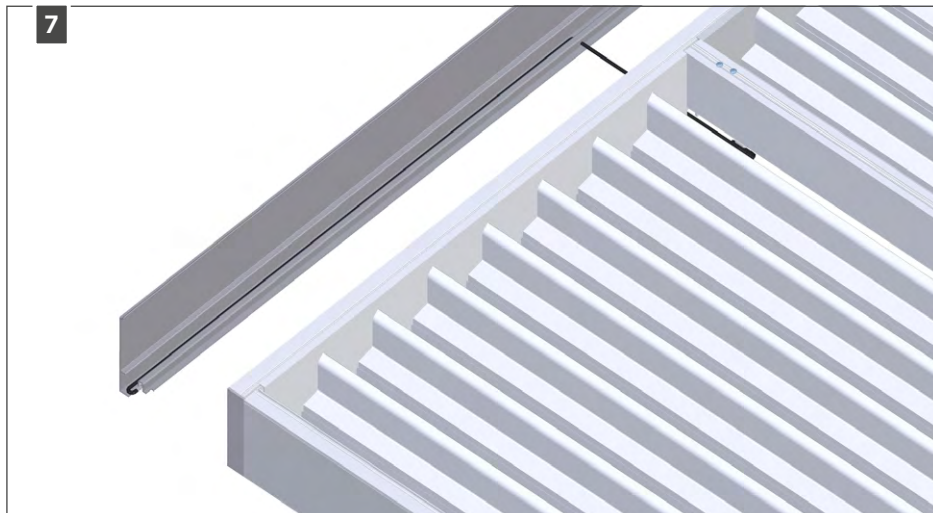
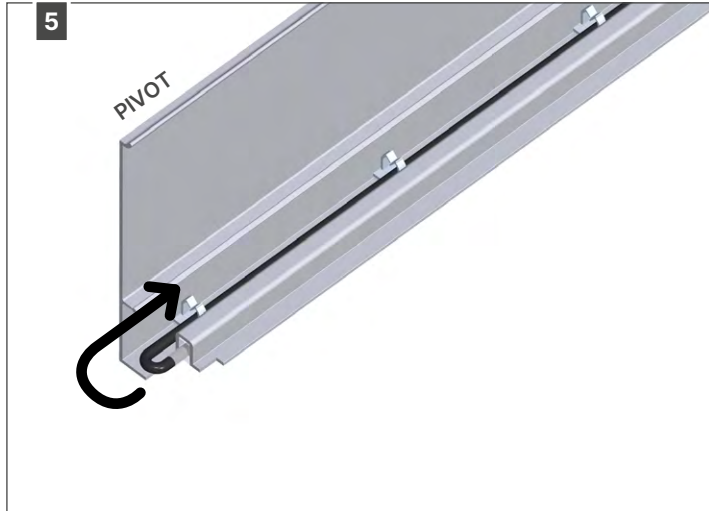
ICONIC LED-LINE ALONG SPAN



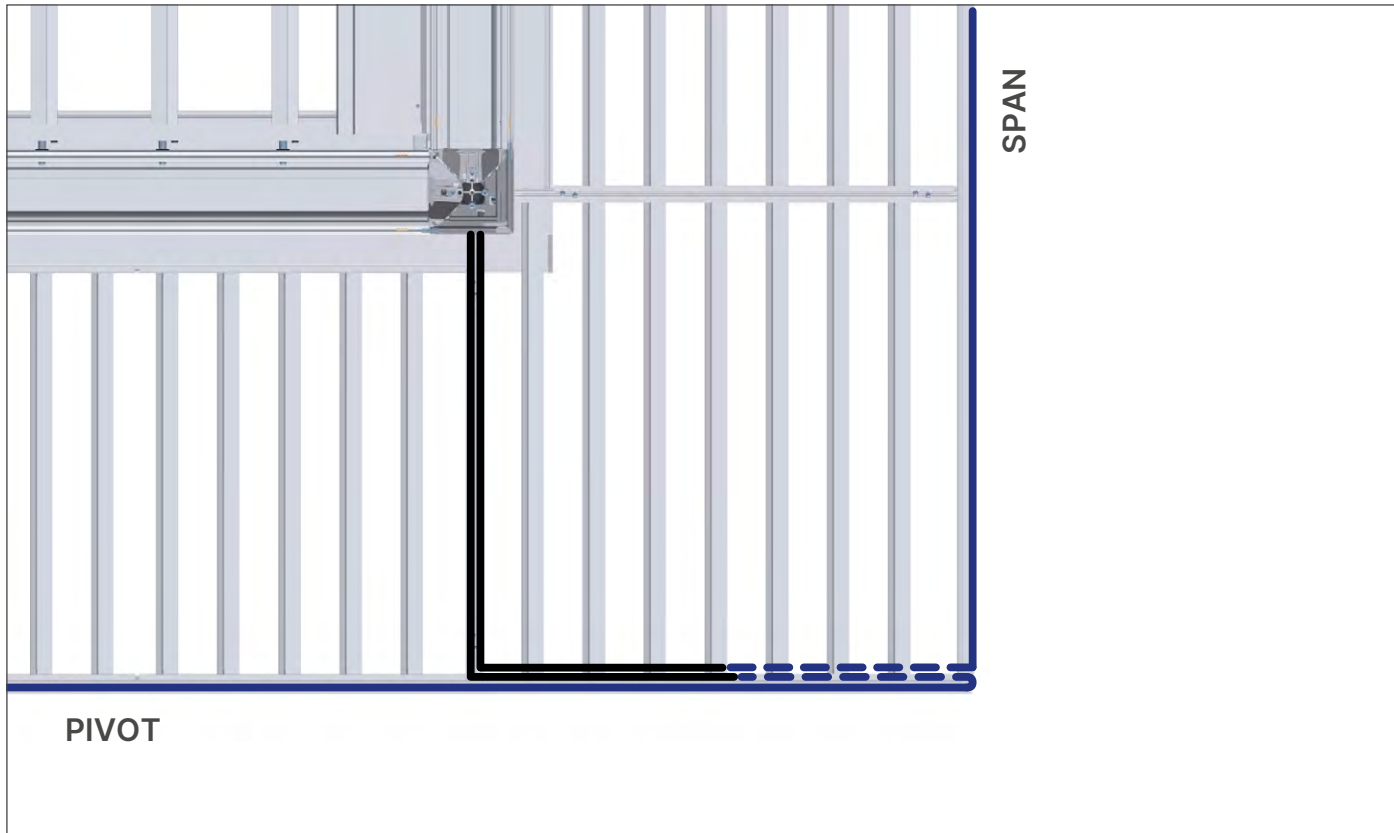


ICONIC LED-LINE ALONG PIVOT

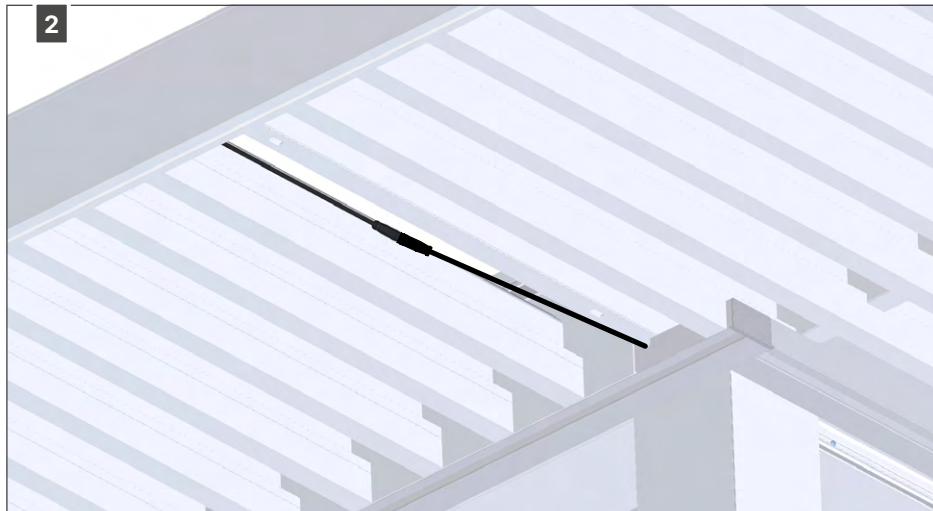
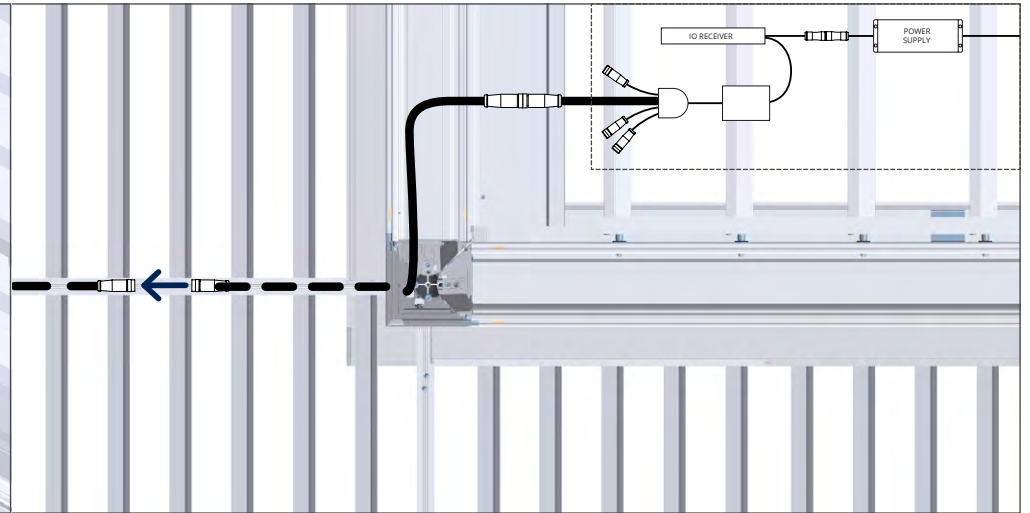
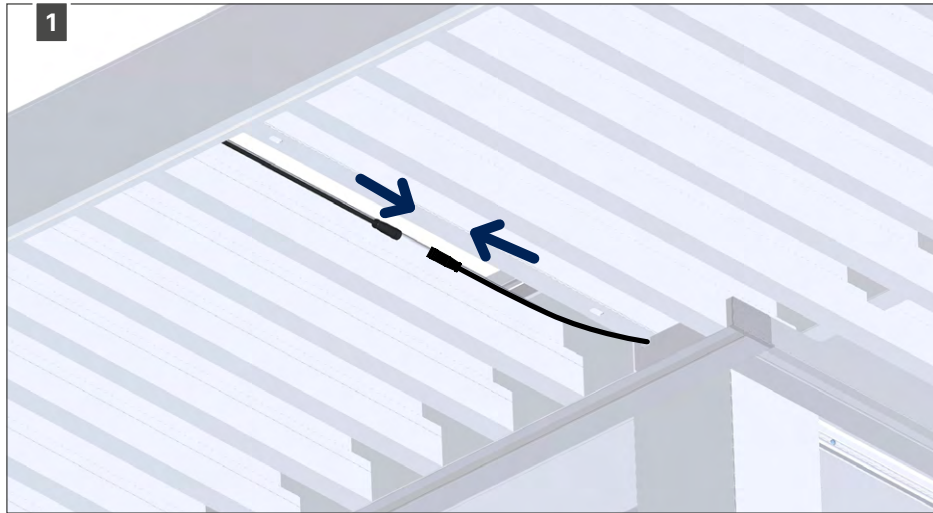




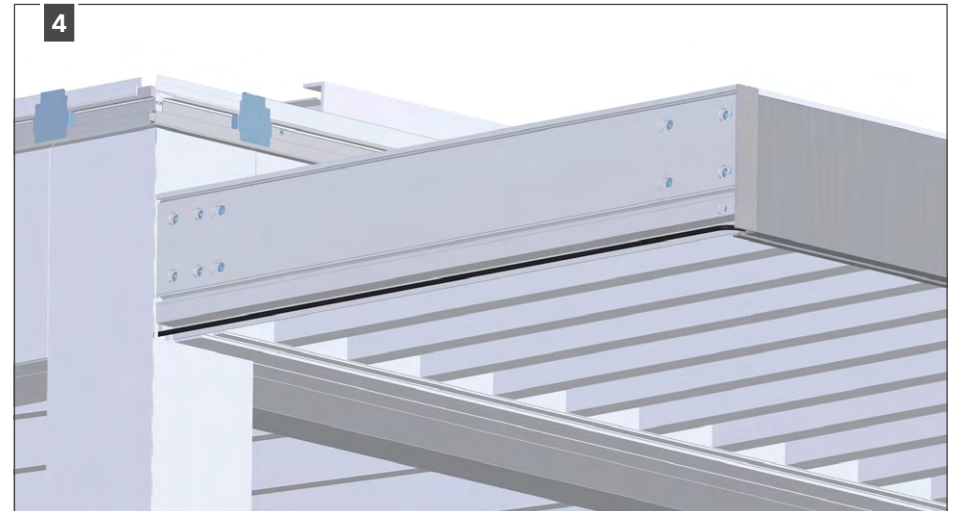
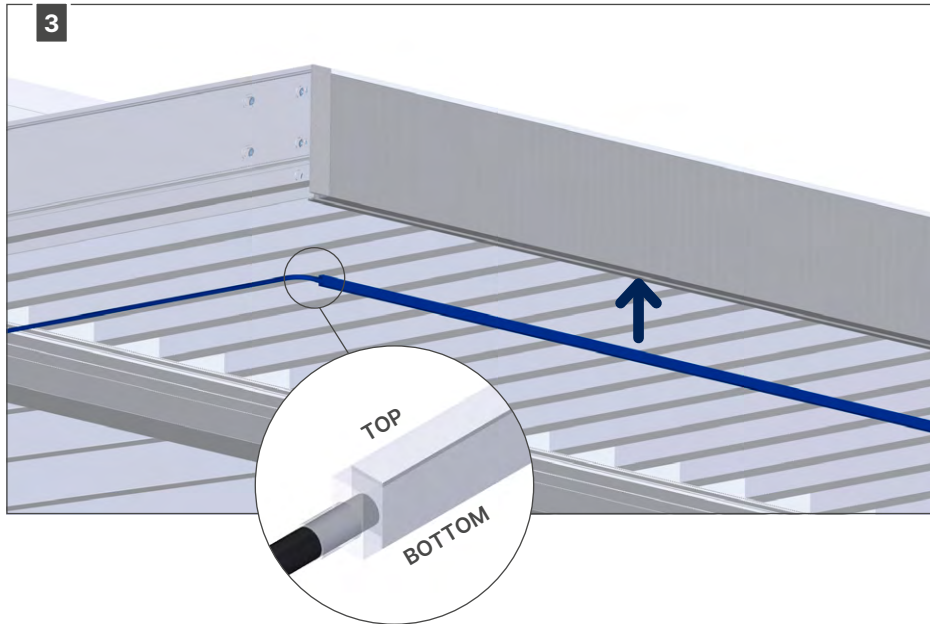
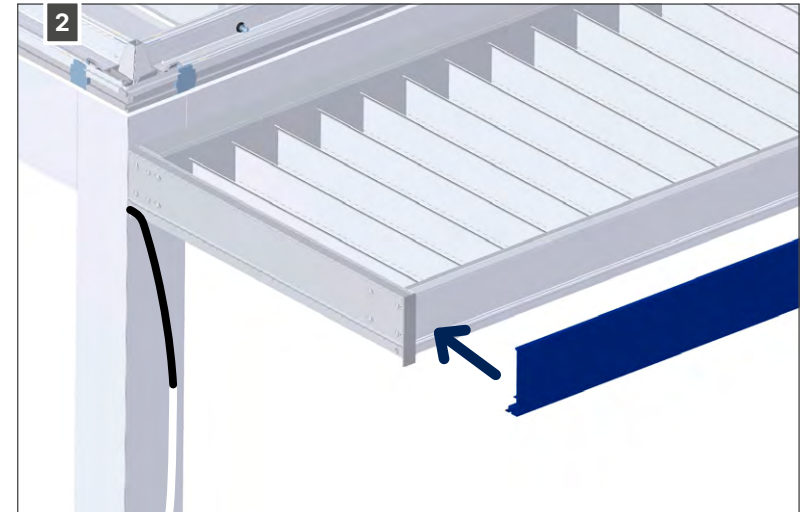
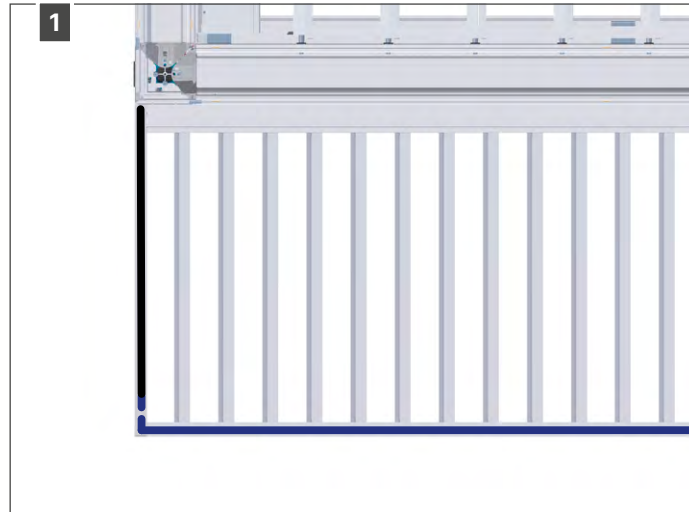
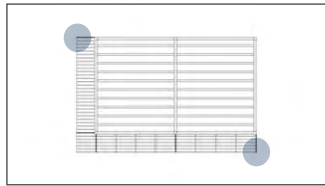
ICONIC LED-LINE ALONG PIVOT AND SPAN



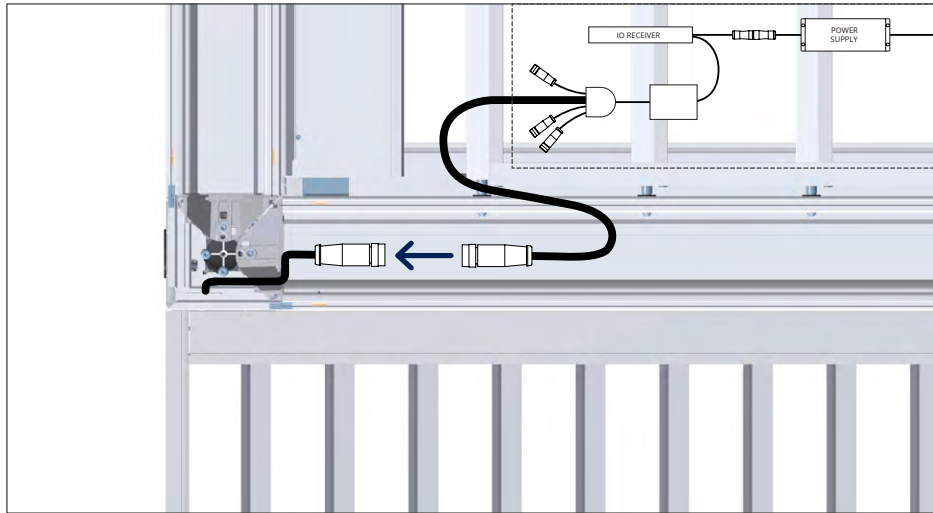
CONNECTING CABLES AT CORNER KNIFE BRACKET



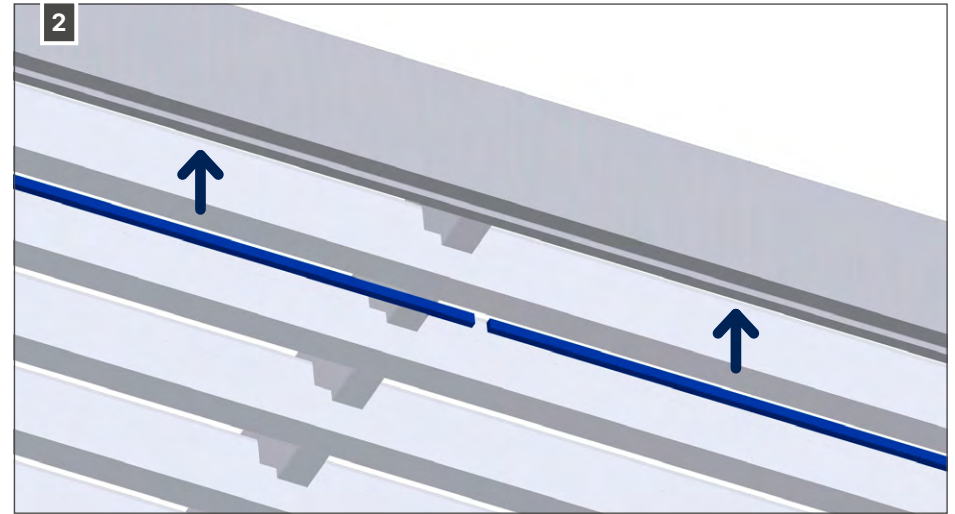
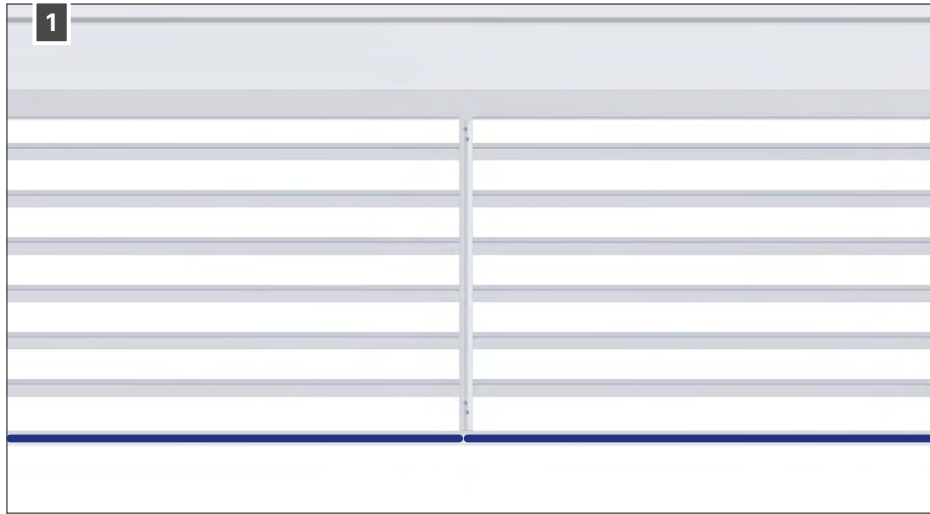
4.7.2 • Via end knife bracket



CONNECTING CABLES AT END KNIFE BRACKET



4.7.3 • Multiple iconic LED-line on one canopy side

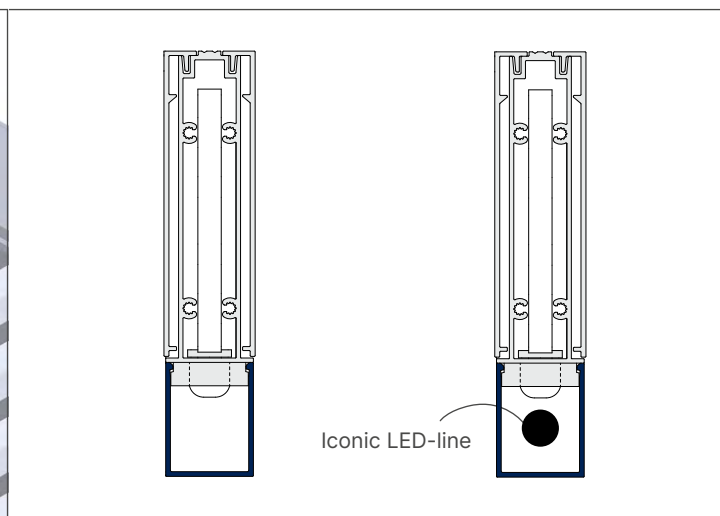
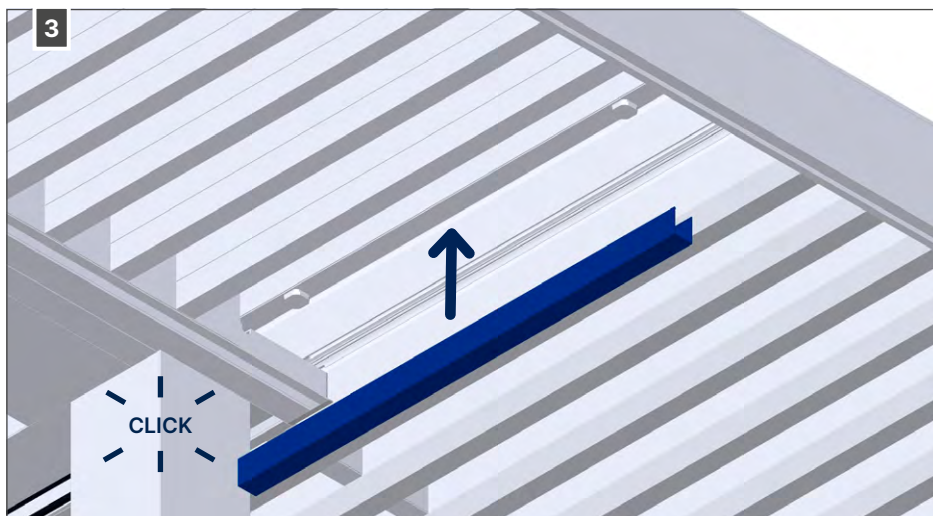
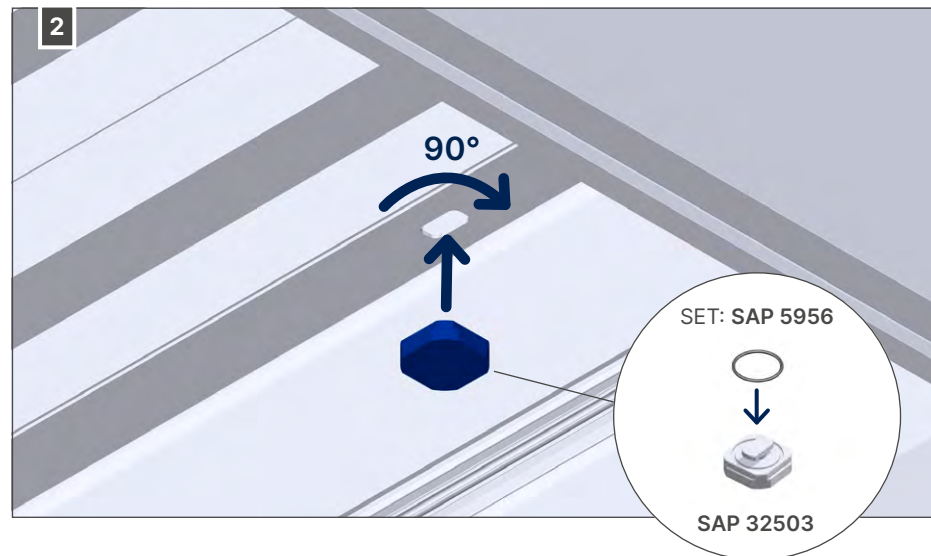
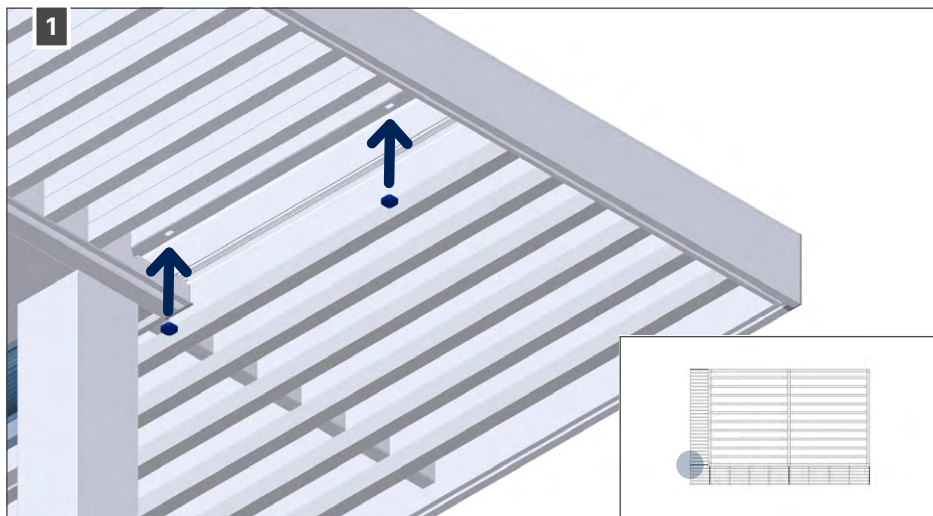


AWNING

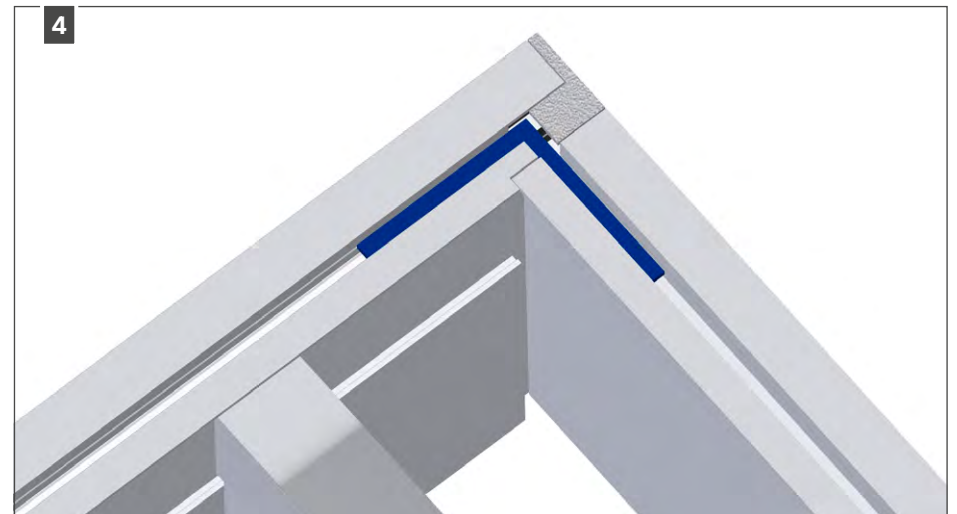
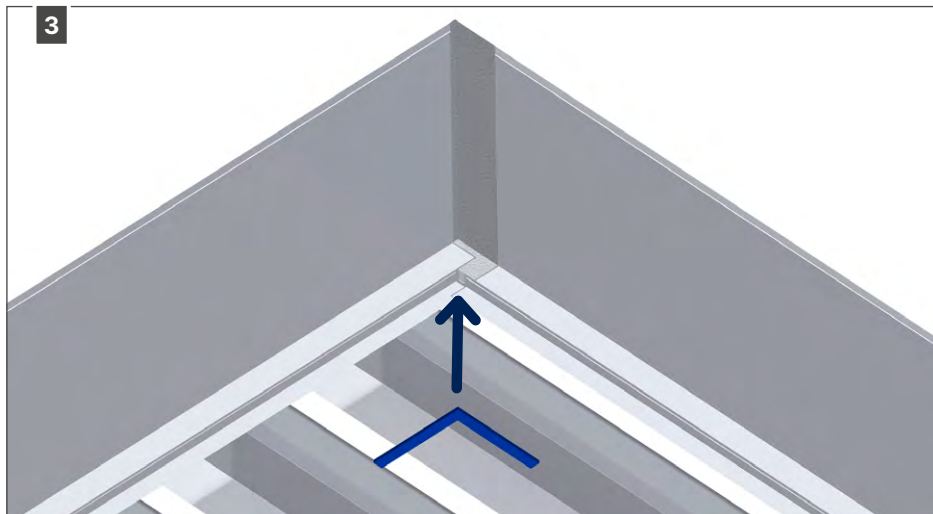
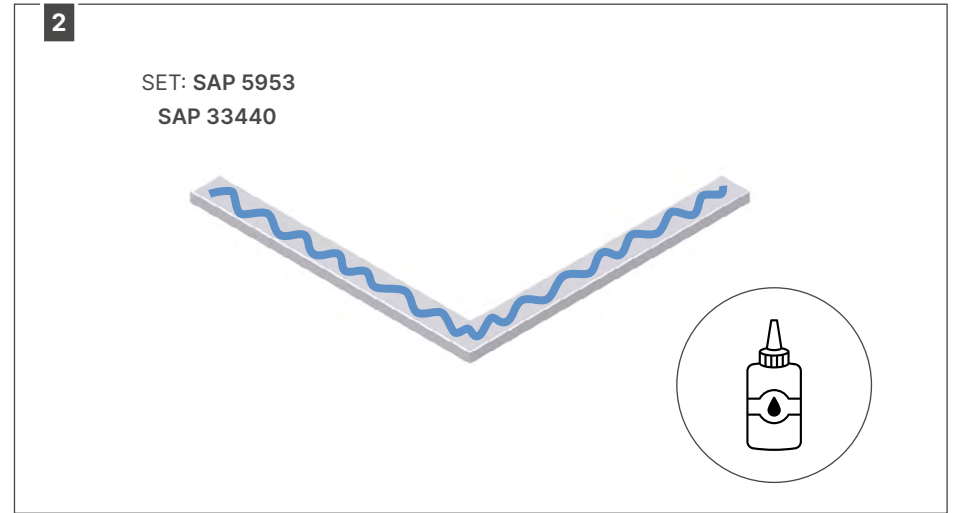
4.8 • Fitting cover on side profile



4.9 • Fitting caps on pivot side



4.10 • Install L-corner piece

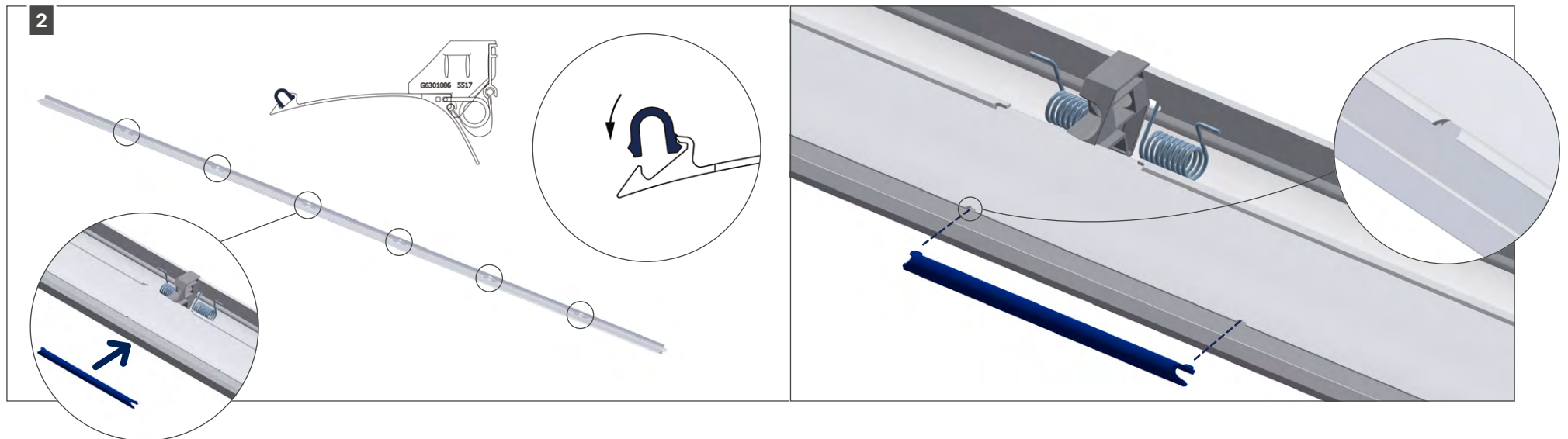
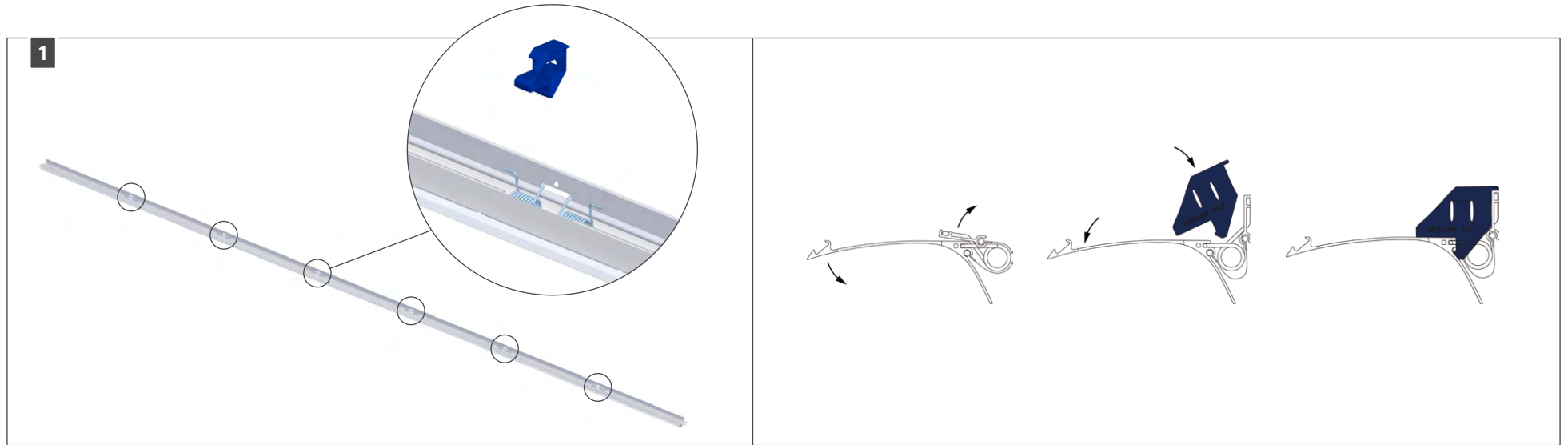


View from the bottom

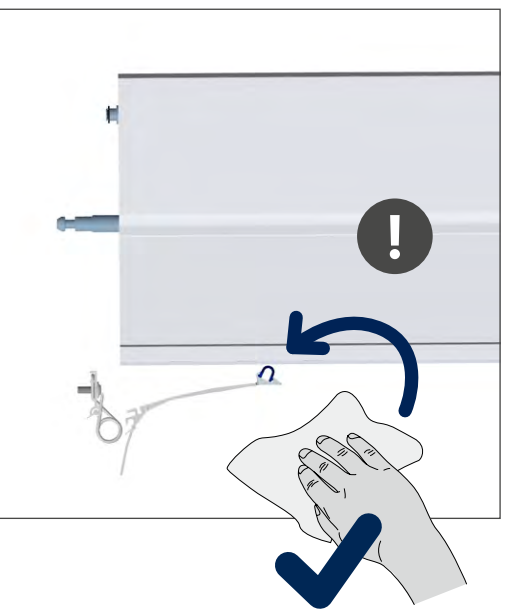
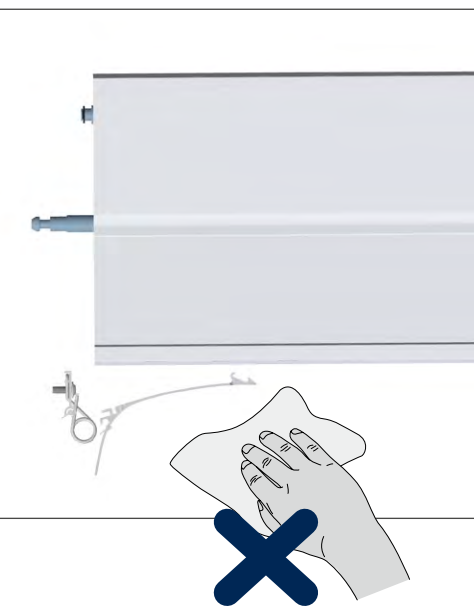
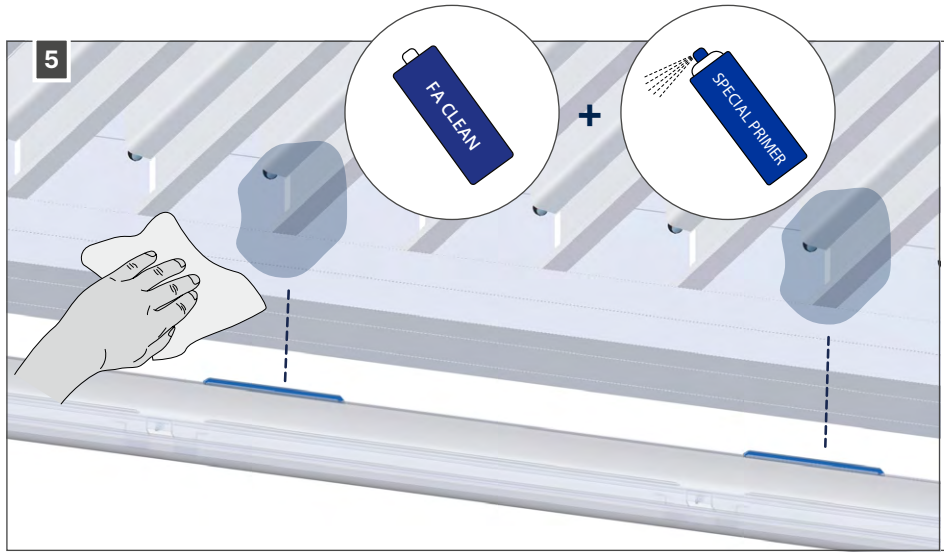
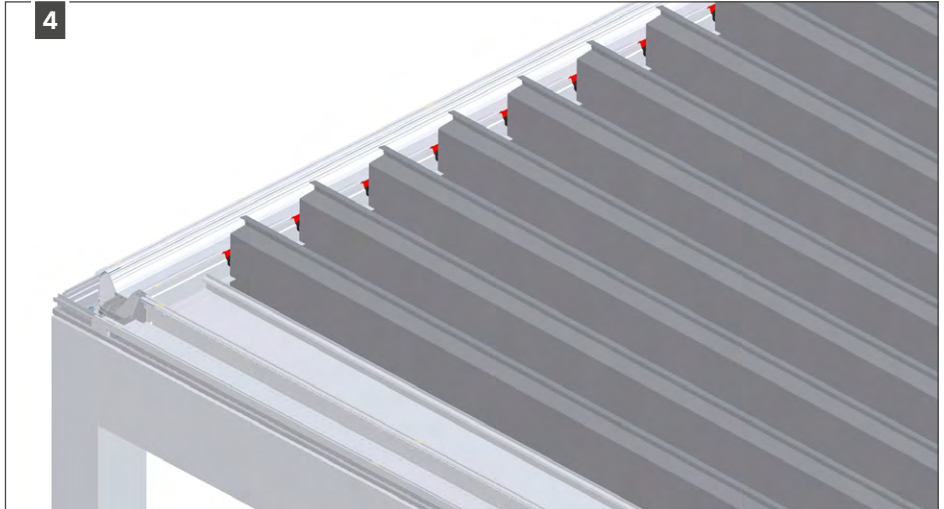
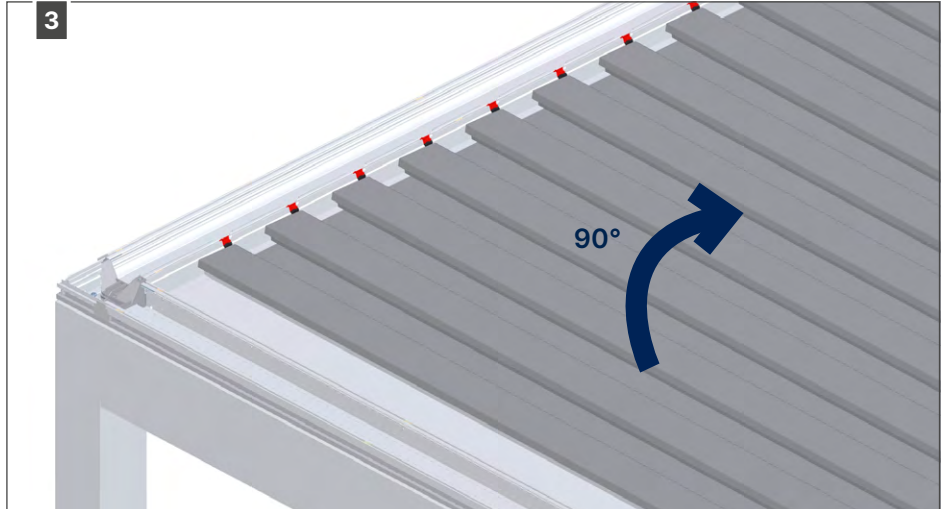
COMFORT BLADES

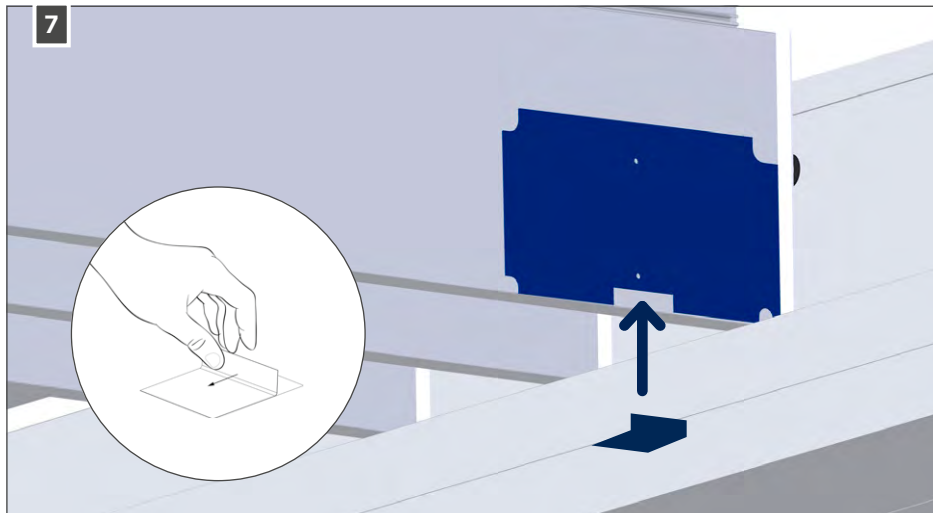
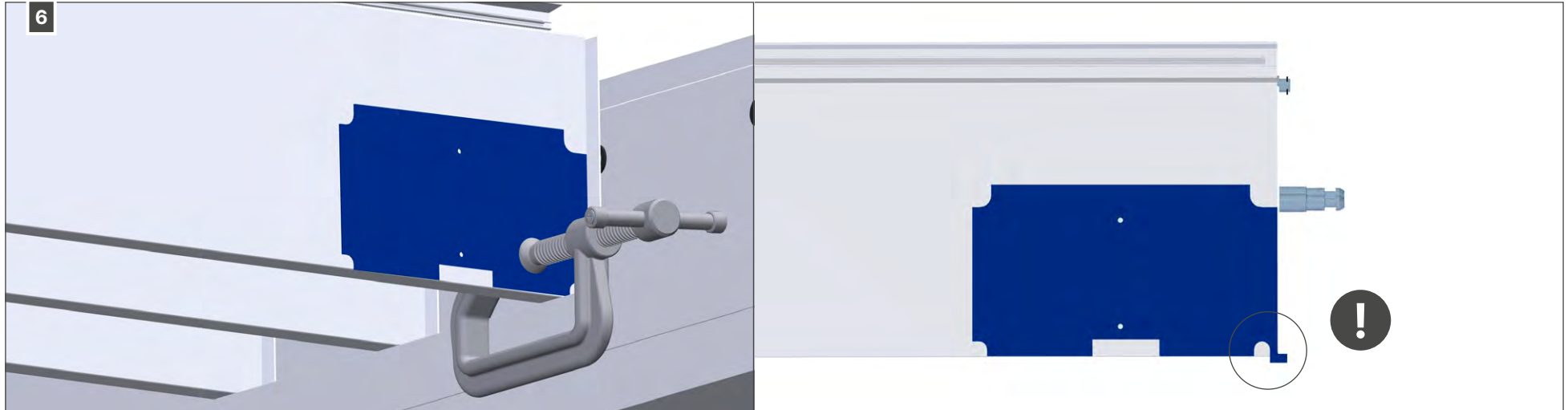
5 • Accessories roof

5.1 • Protecto

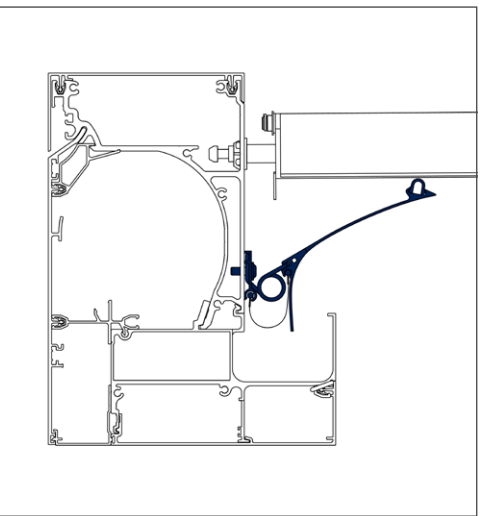
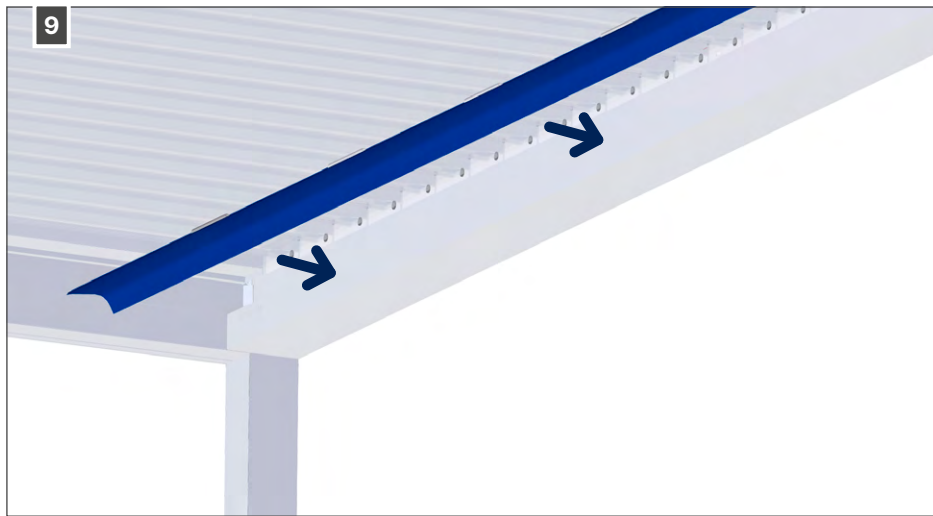
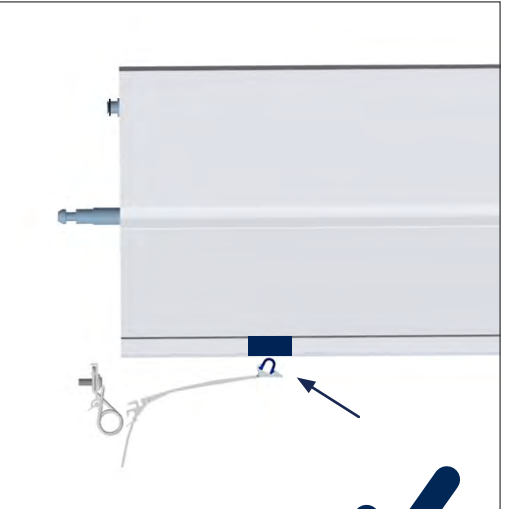
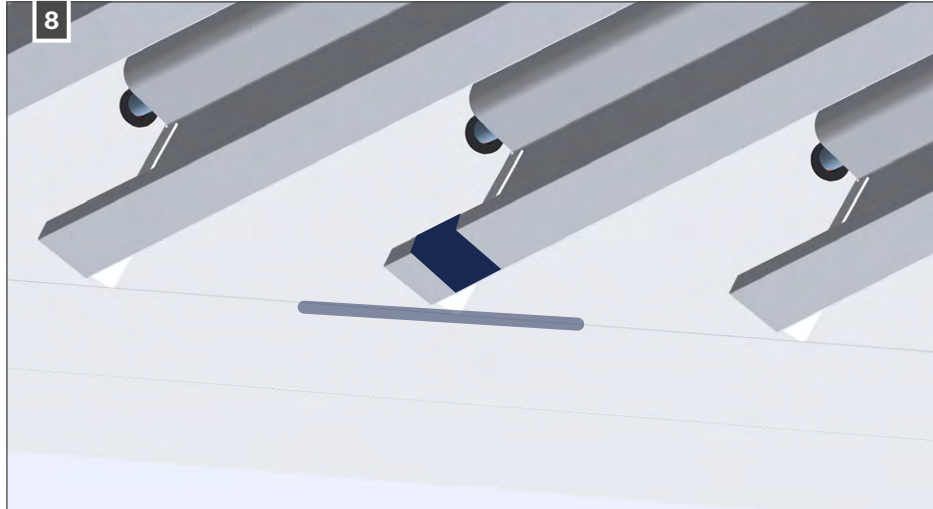


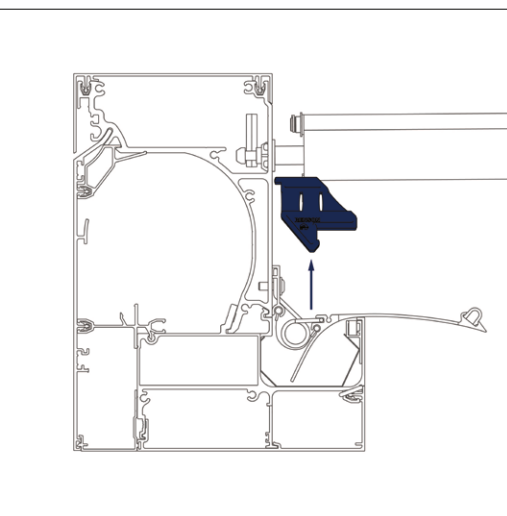
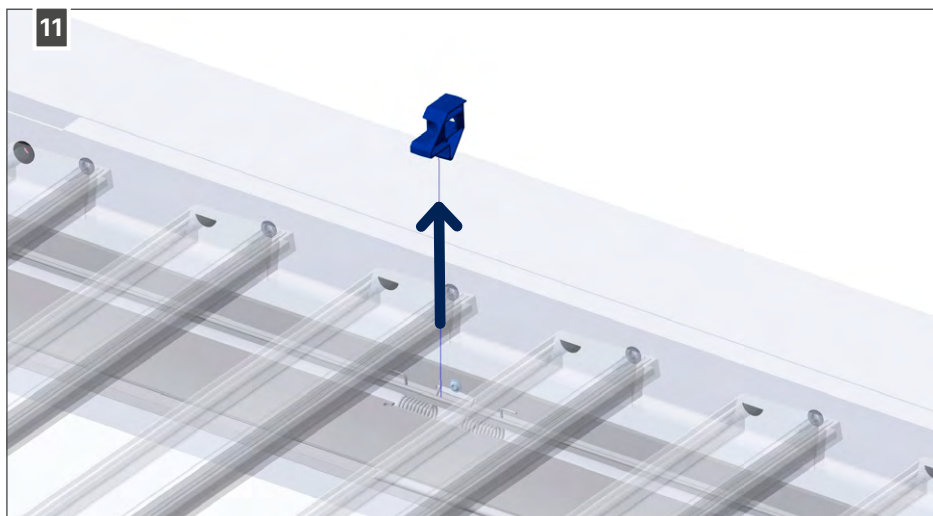
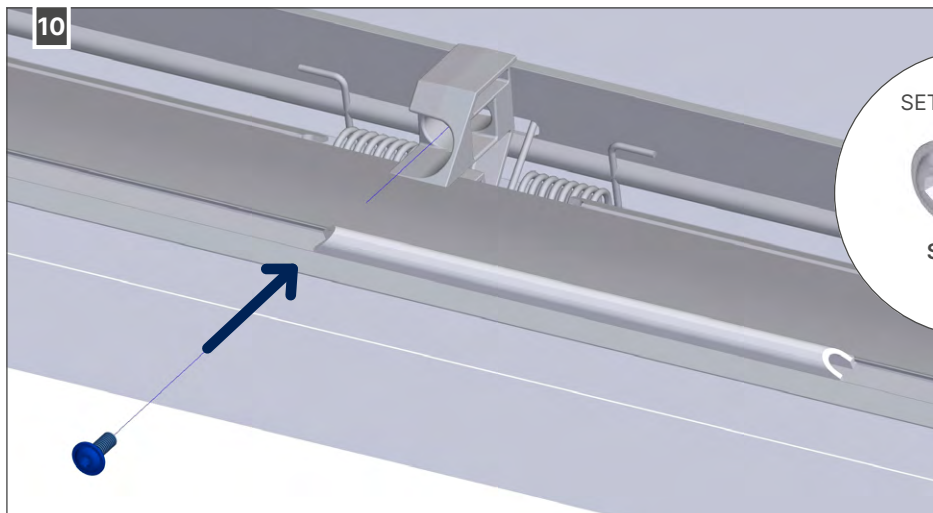
ACCESSORIES ROOF





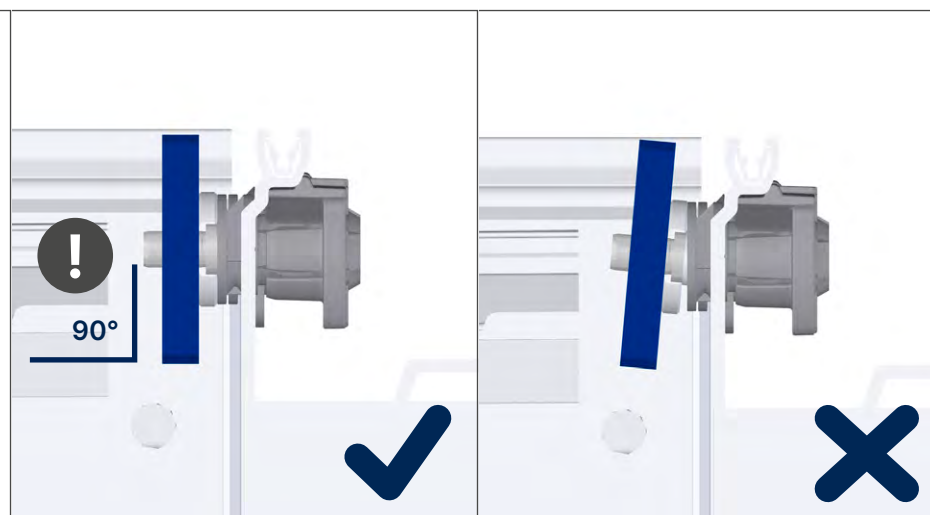
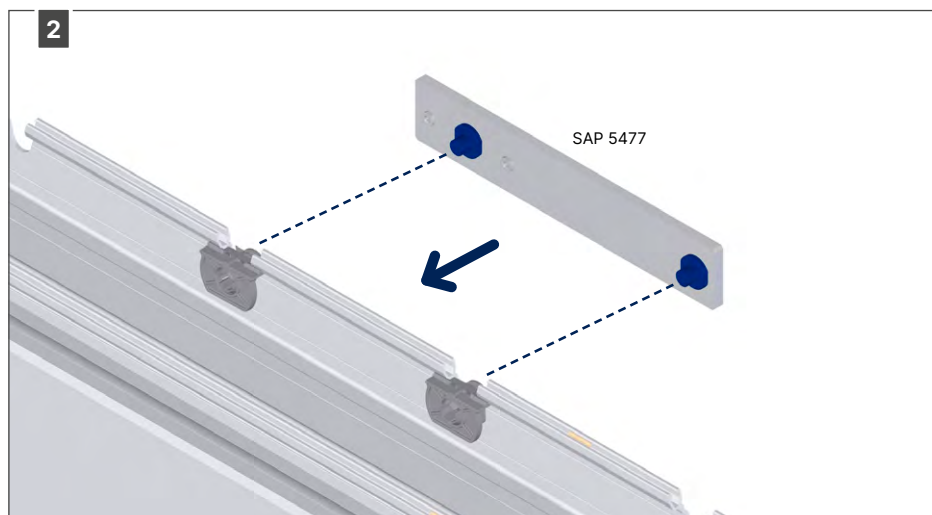
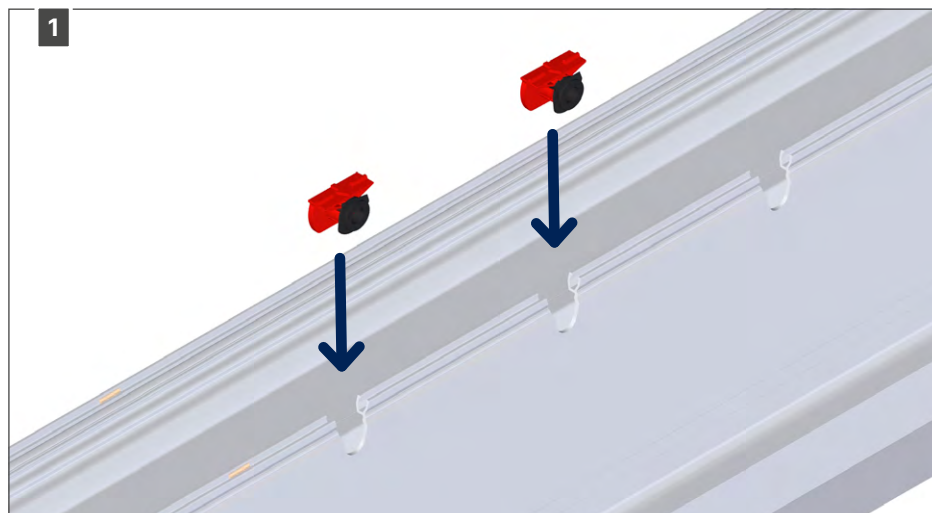
ACCESSORIES ROOF

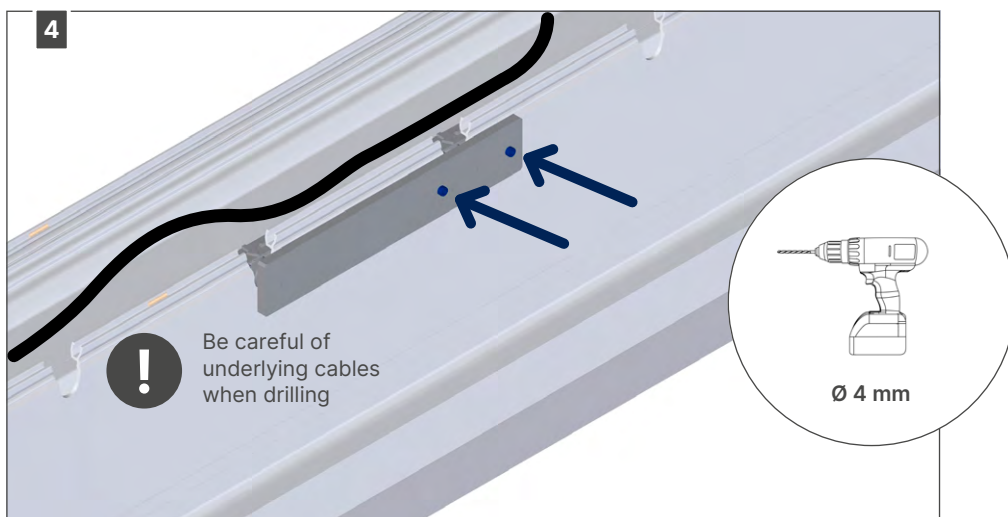
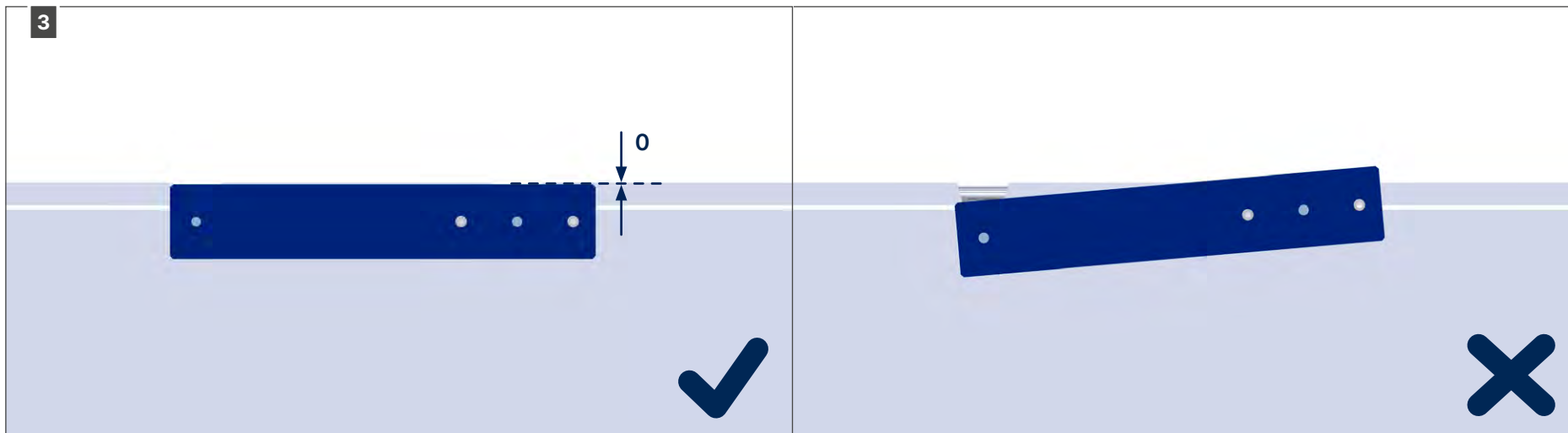




5.2 • Lineo Heat

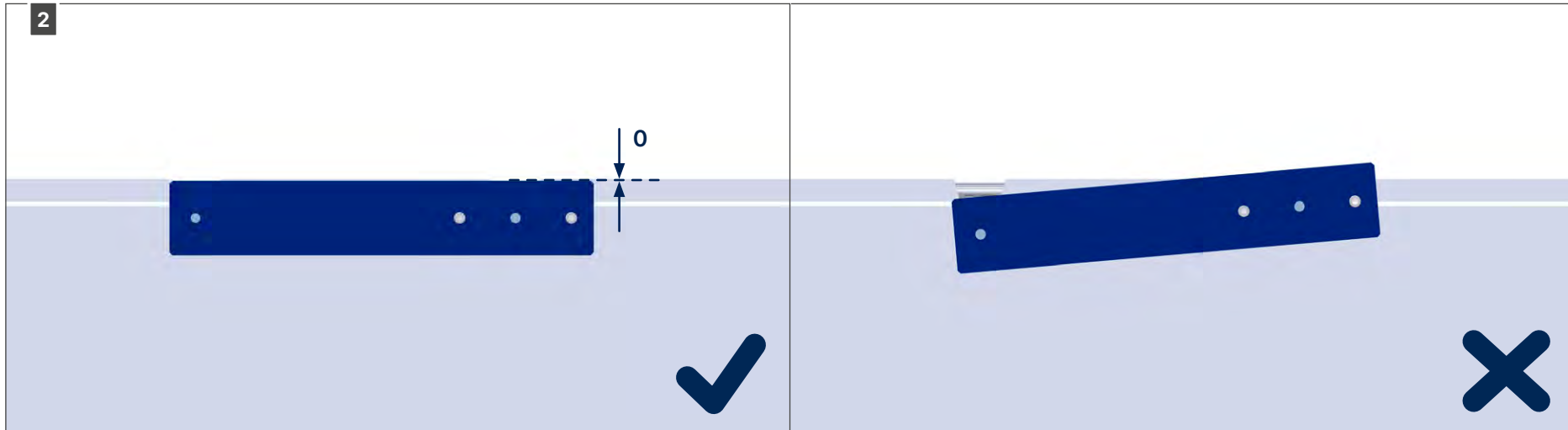
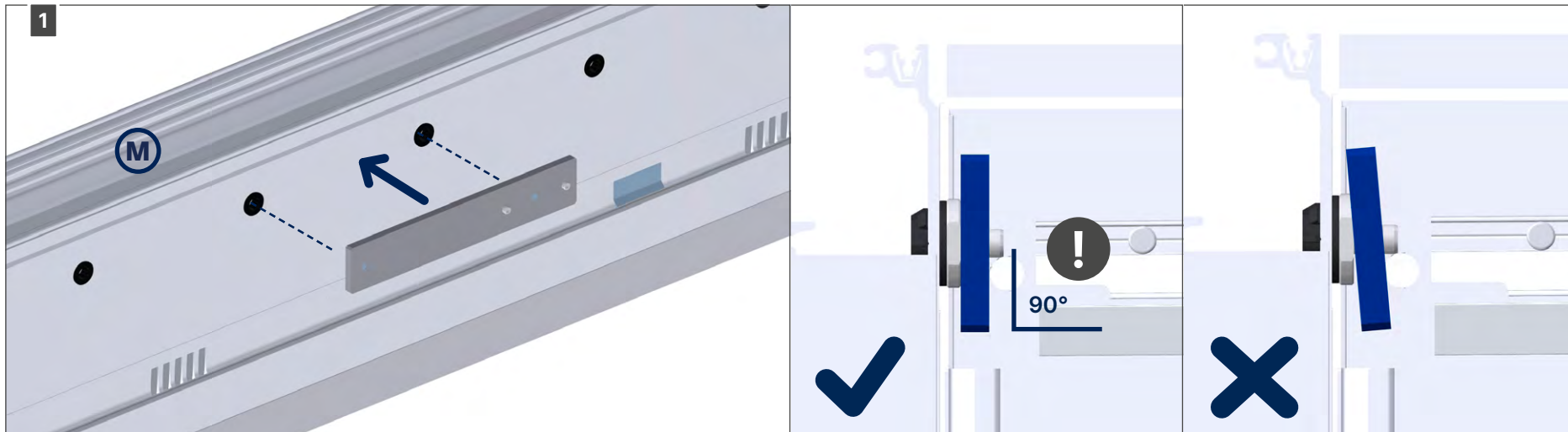
5.2.1 - Position the Amani drill jig on the high pivot side

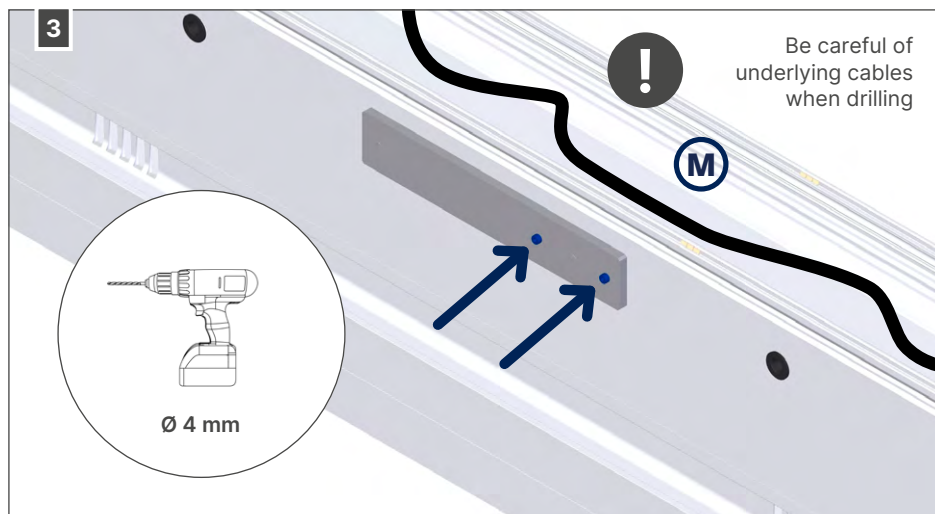




Note: push the jig down while drilling.

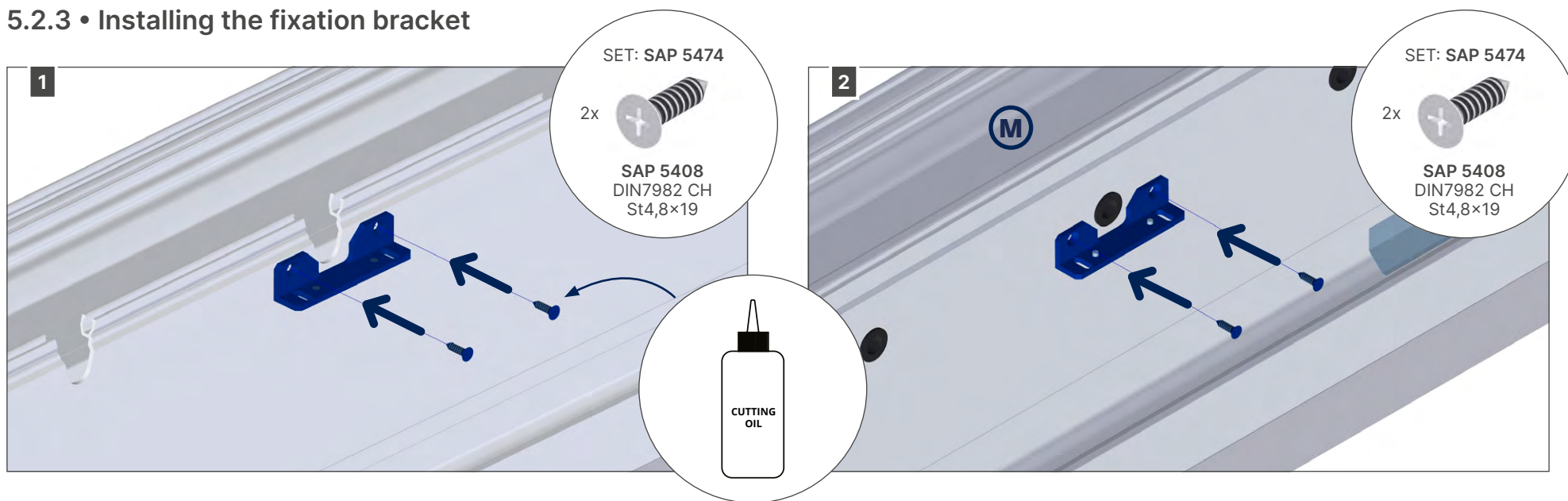
5.2.2 - Position the jig on the low pivot side



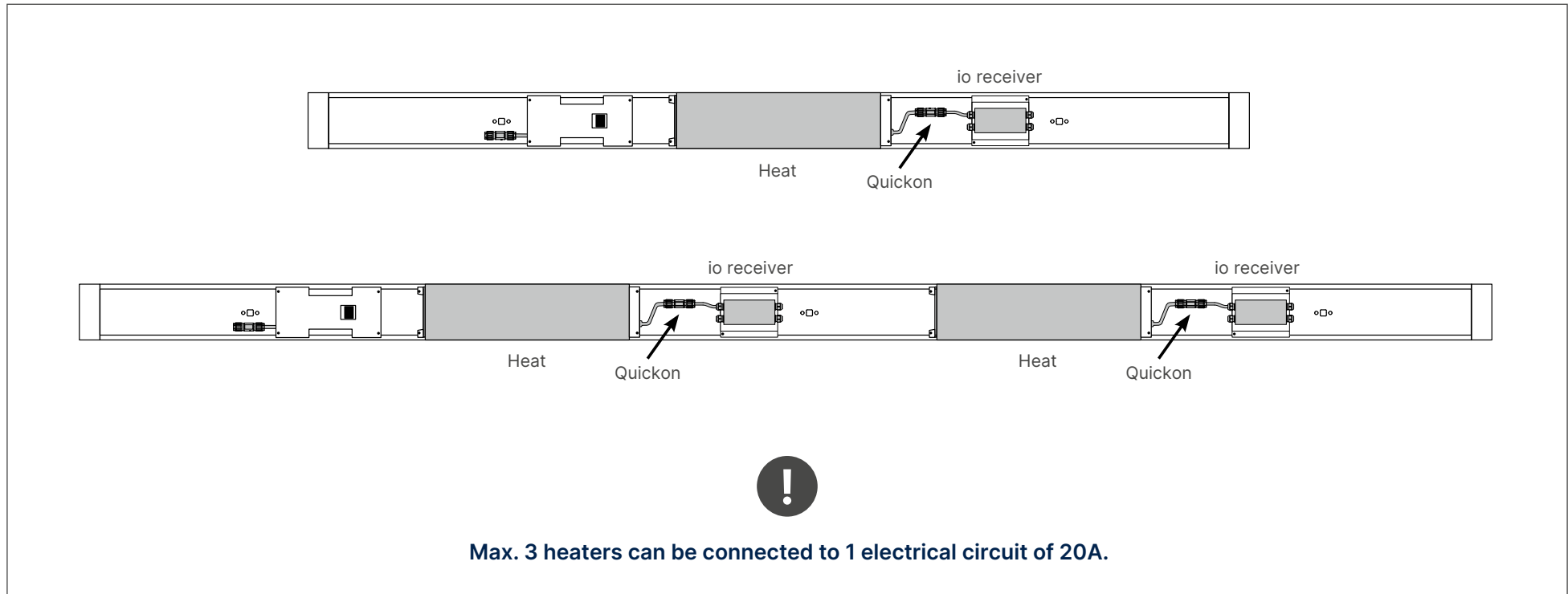


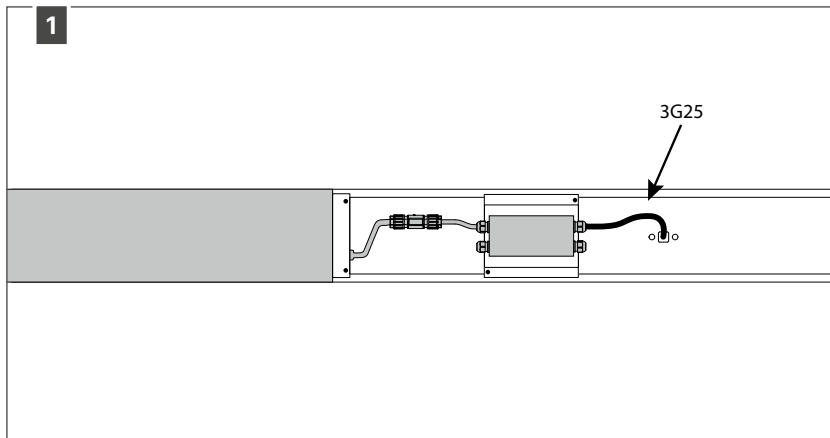
Note: push the jig down while drilling.

5.2.3 • Installing the fixation bracket

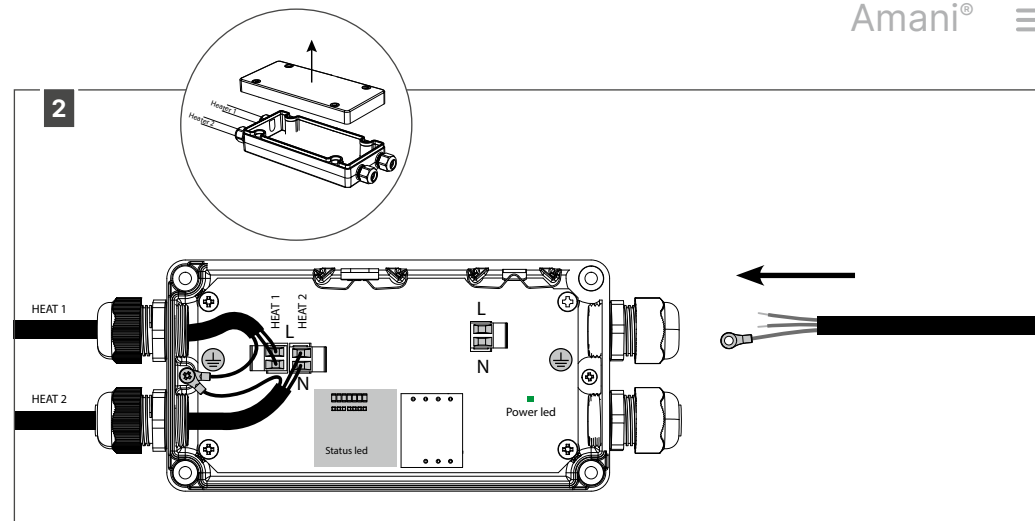


5.2.4 • Connecting the wiring of the heating element

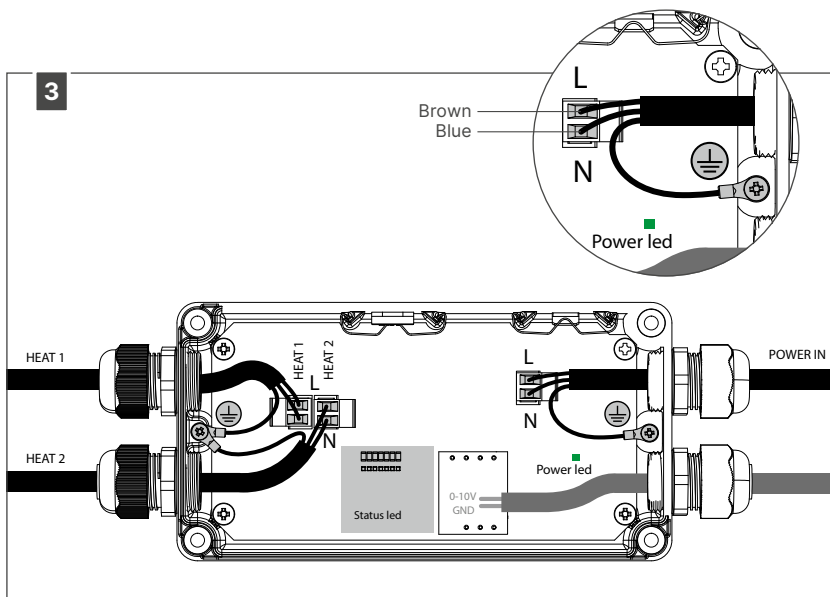




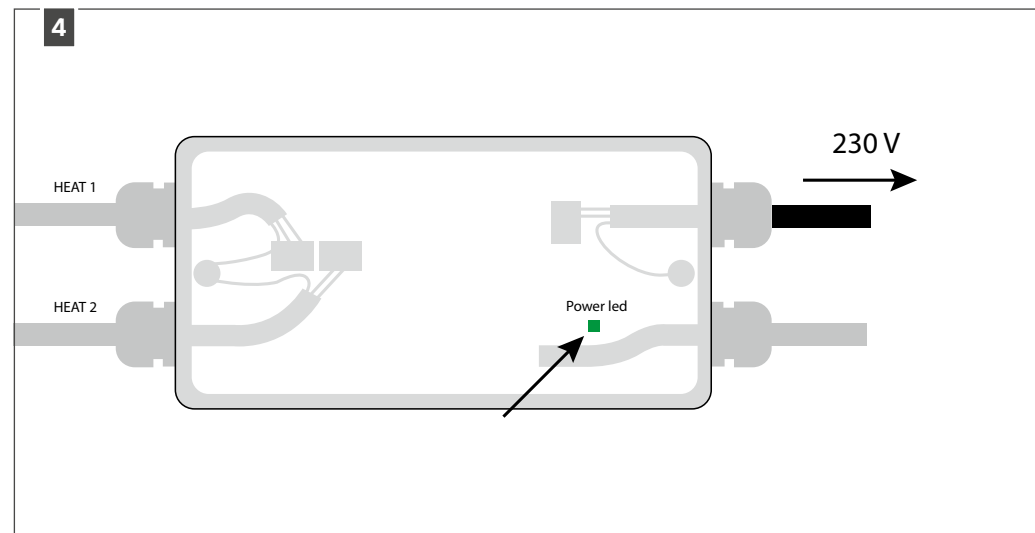
If a receiver is provided, plug the power cable into the receiver.



To do so, first remove the transparent cover of the receiver and insert the power cable through the open cable gland into the receiver.

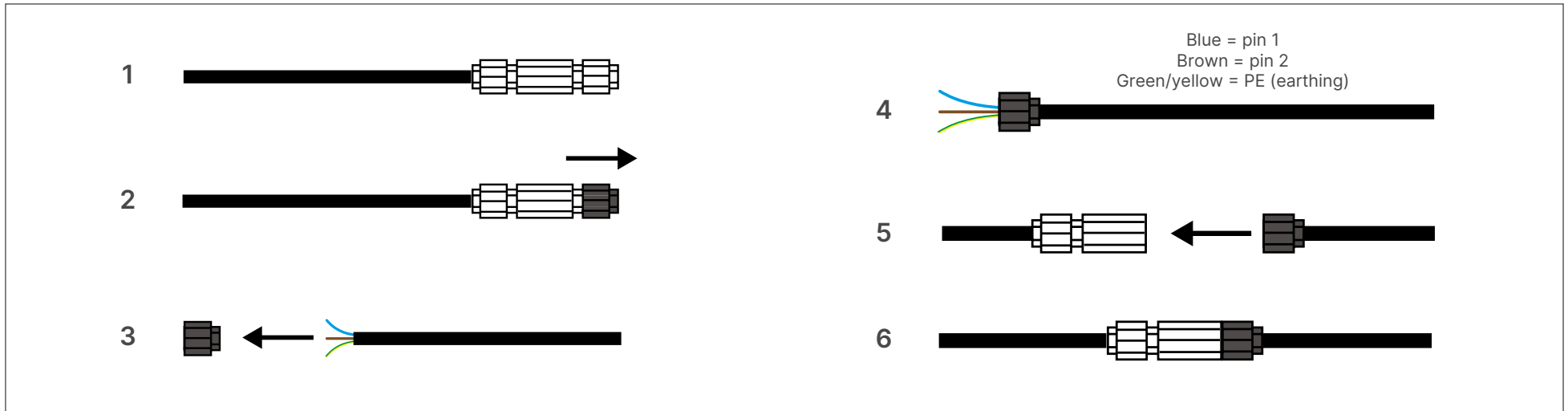


Connect the brown wire to the L terminal and the blue wire to the N terminal. Attach the cable eye (earthing) via the screw between the 2 right glands. Also connect the 0-10V control signal.

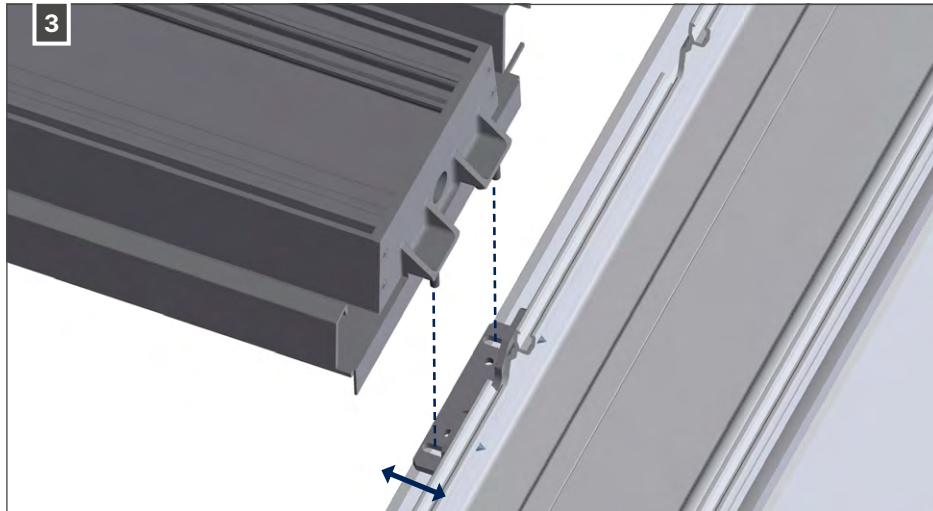
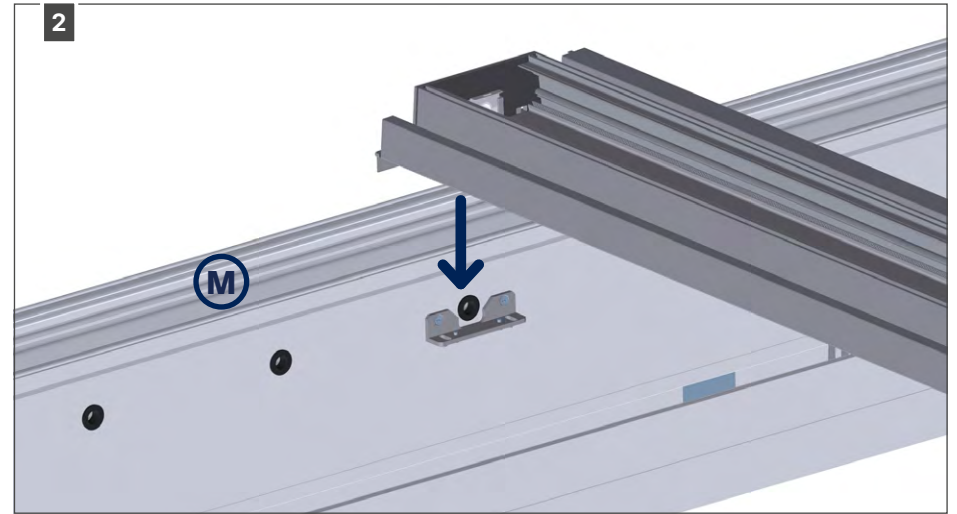
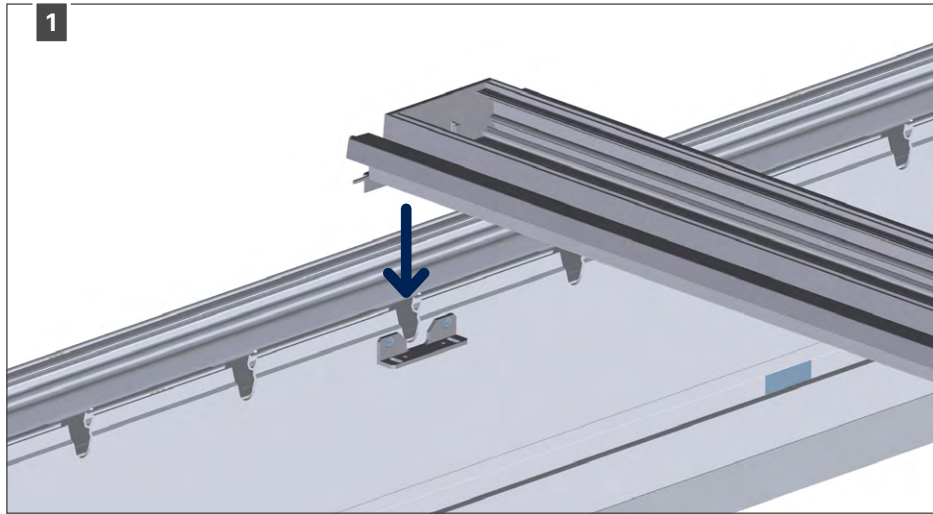


Then connect the power cable to the mains voltage (230 volts AC). The power LED in the receiver should light up green. This tells you that the receiver is effectively receiving voltage.

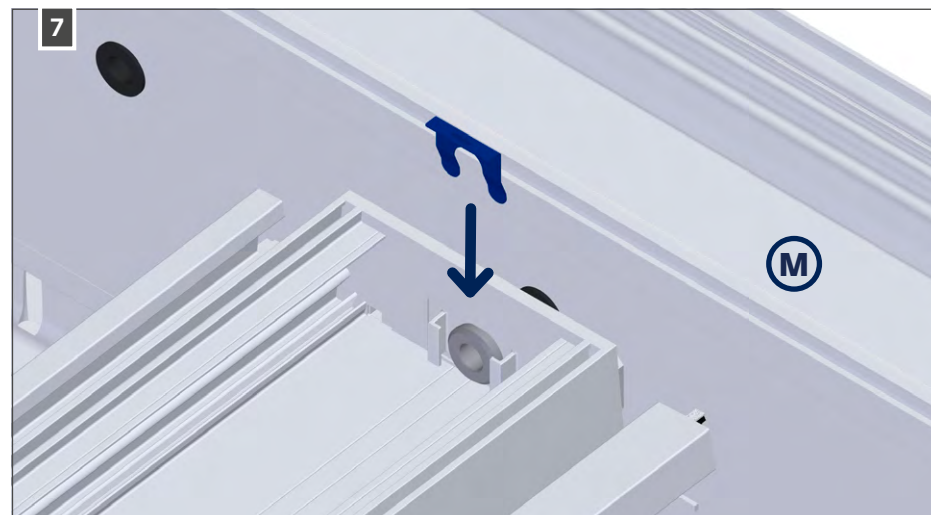
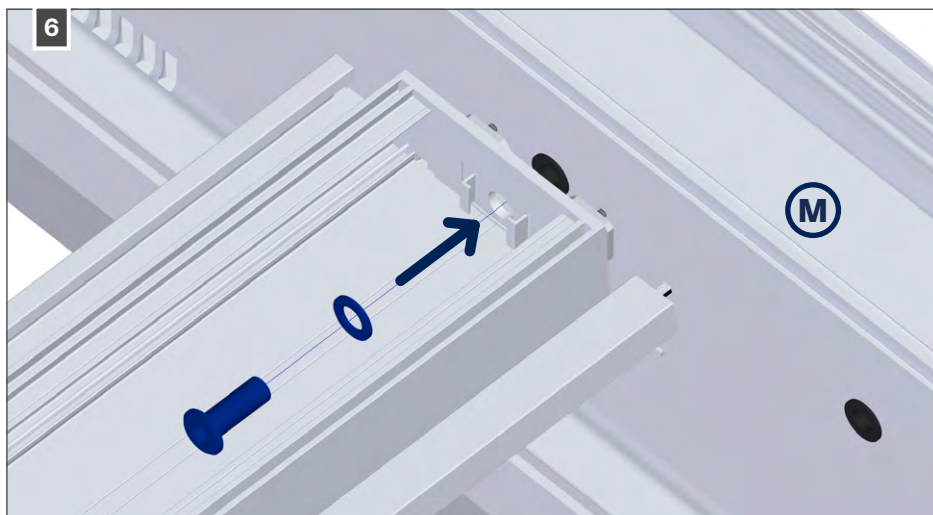
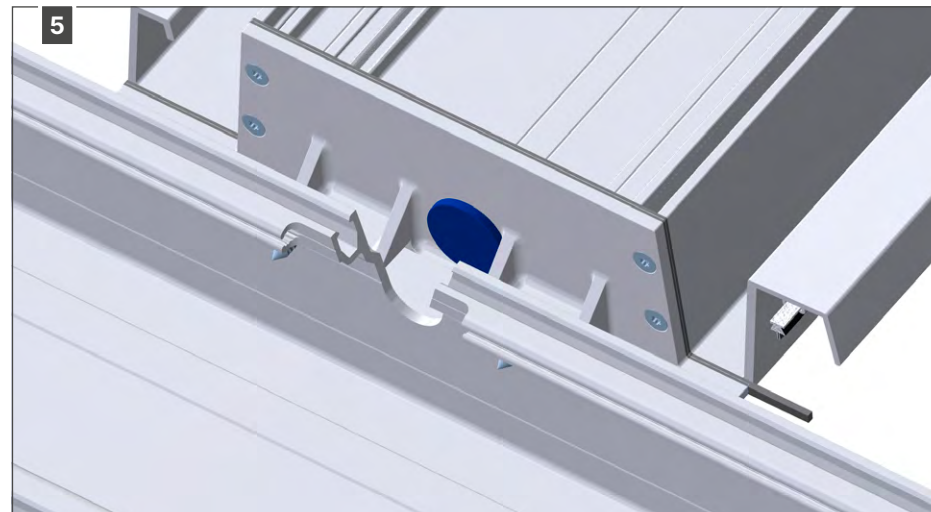
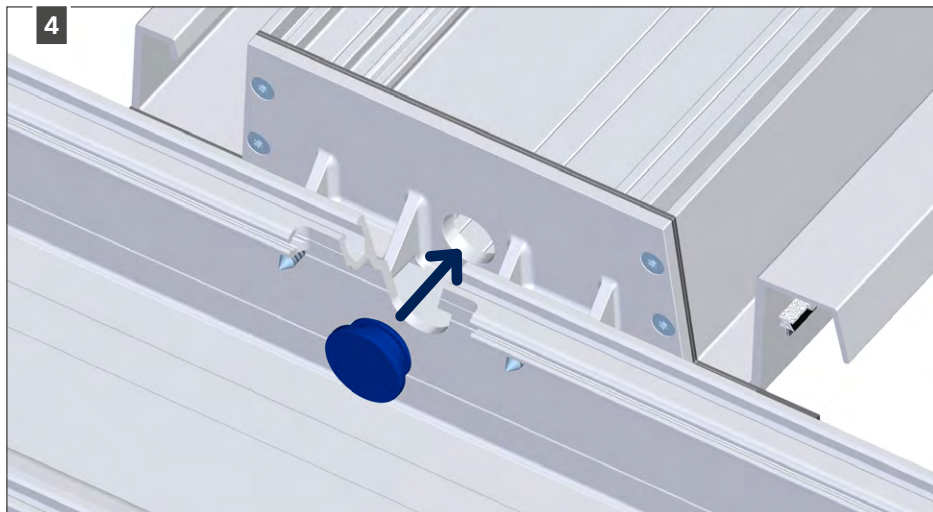
See enclosed instructions with the connector



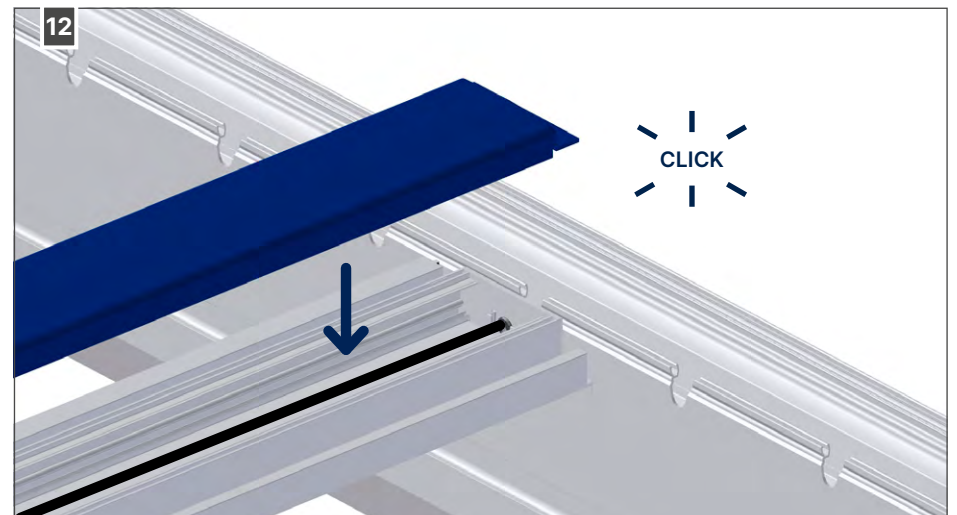
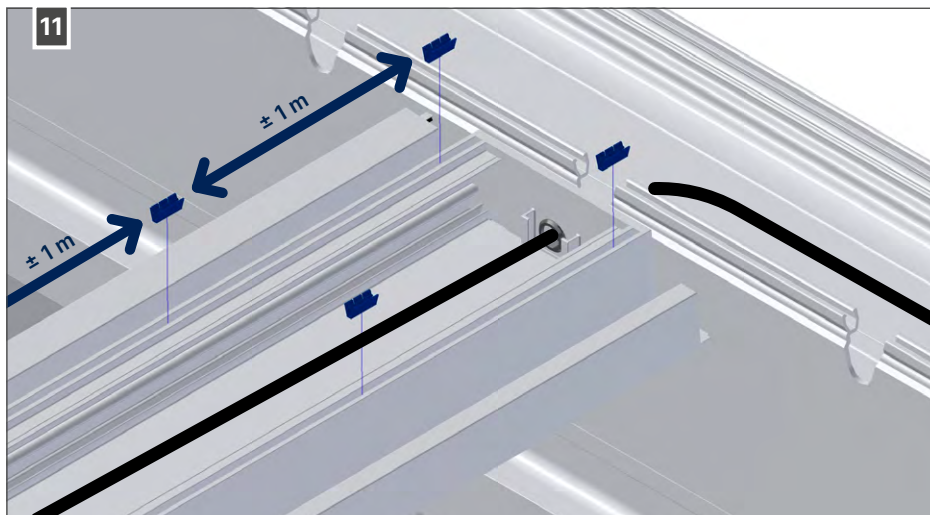
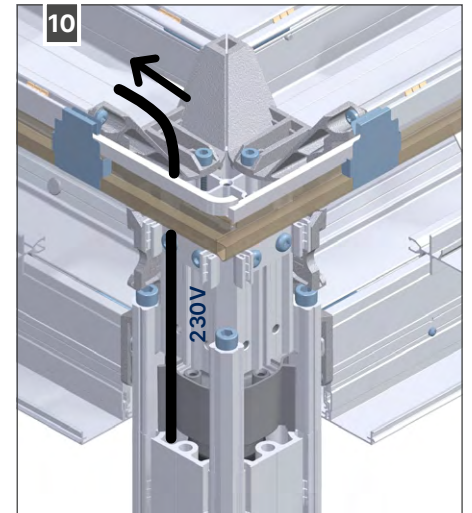
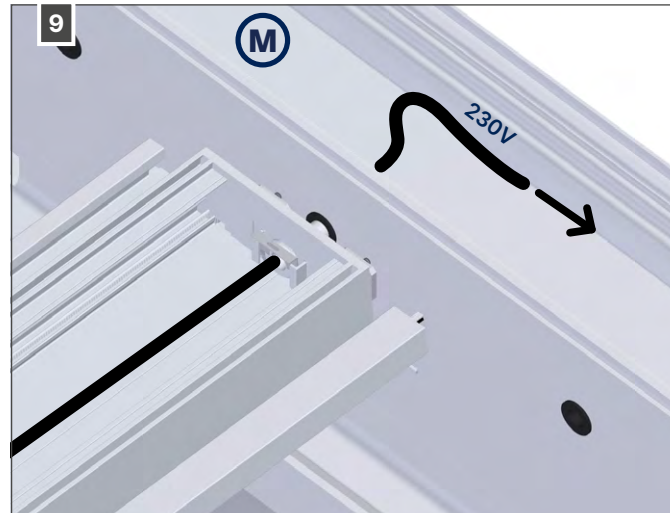
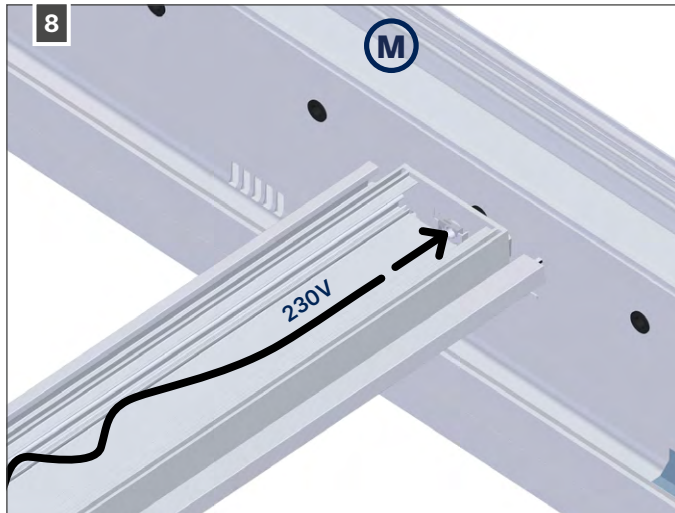
5.2.5 • Installing the Lineo Heat

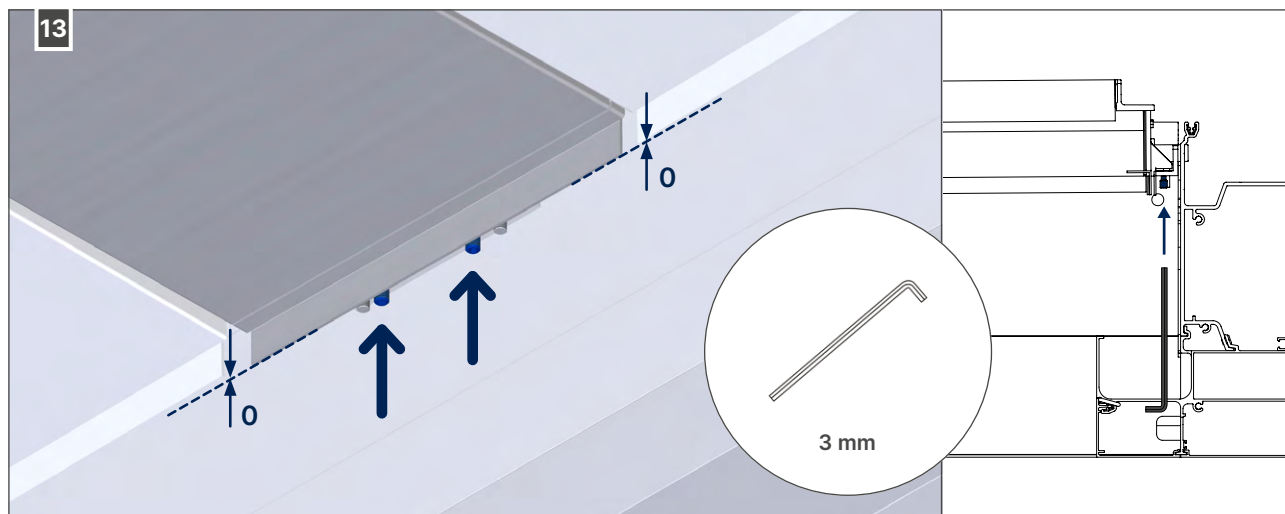


ACCESSORIES ROOF

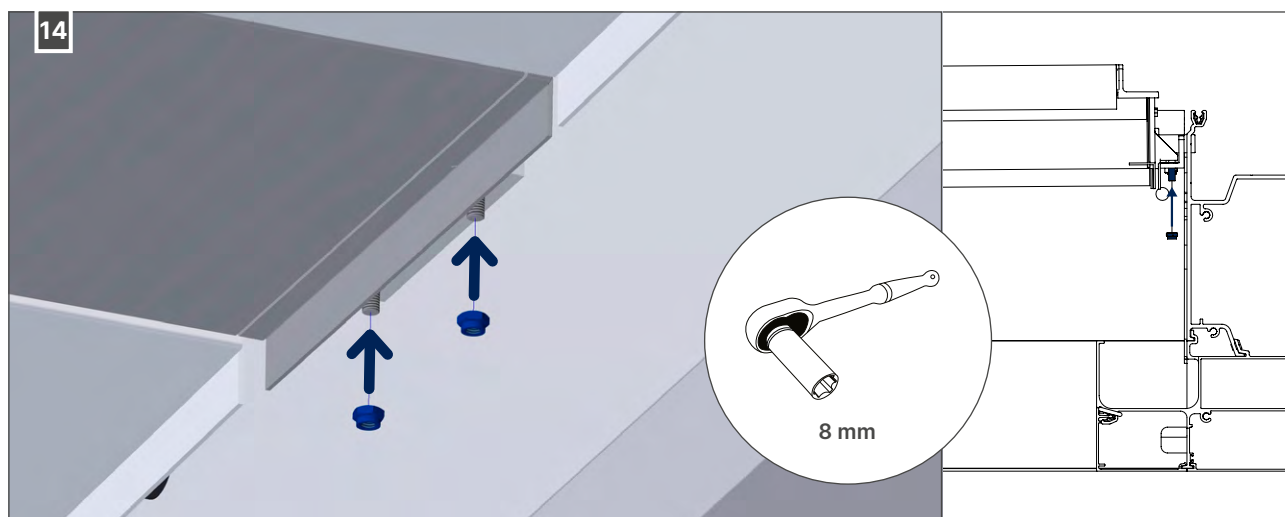


ACCESSORIES ROOF





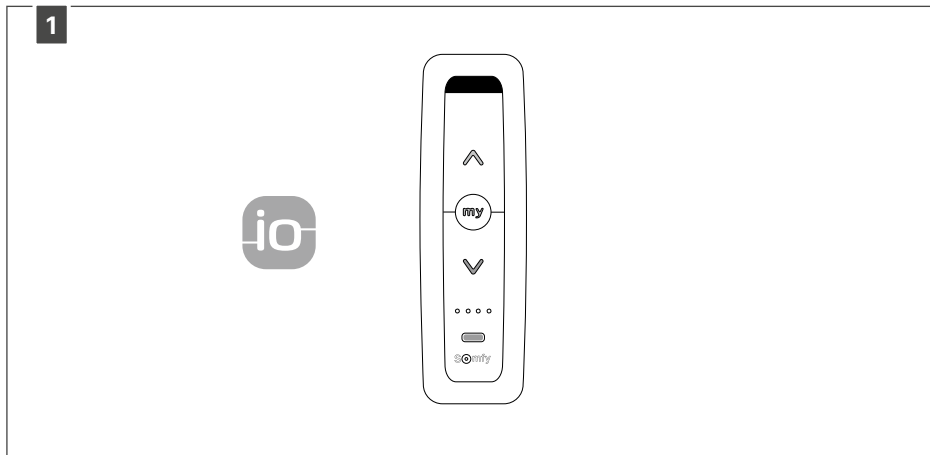
View from the underside of the Lineo Heat blade with alignment between two standard blades



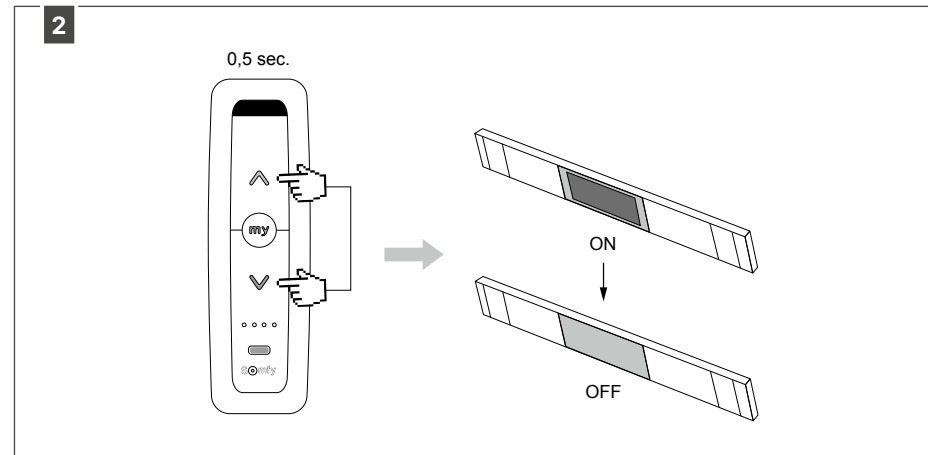
View from the underside of the Lineo Heat blade

5.2.6 • Set up the Heat using the hand-held remote (io)

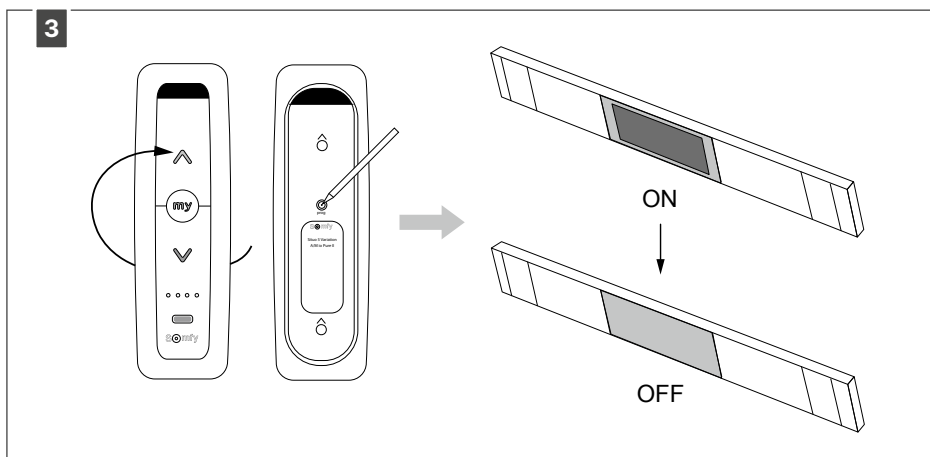
Note: Check if the device is has 230V power.



Select the desired channel on the Situo io hand-held remote.



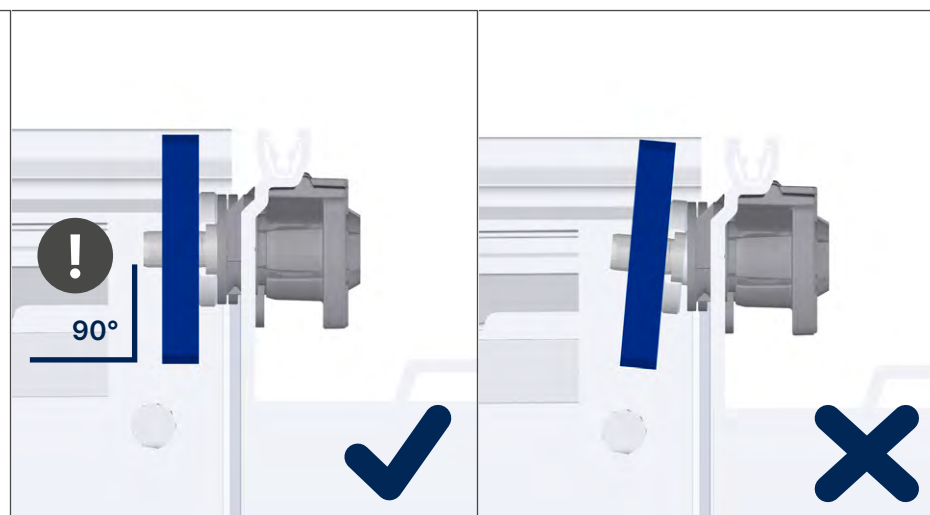
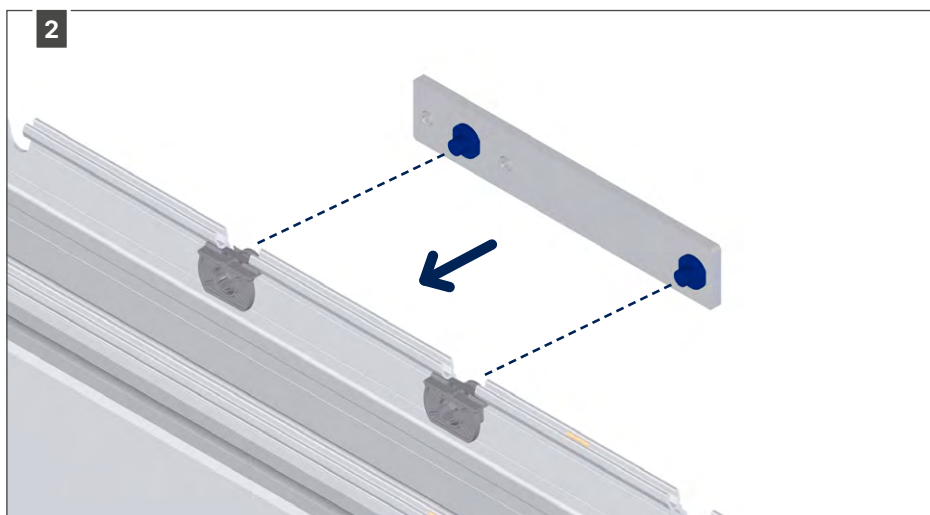
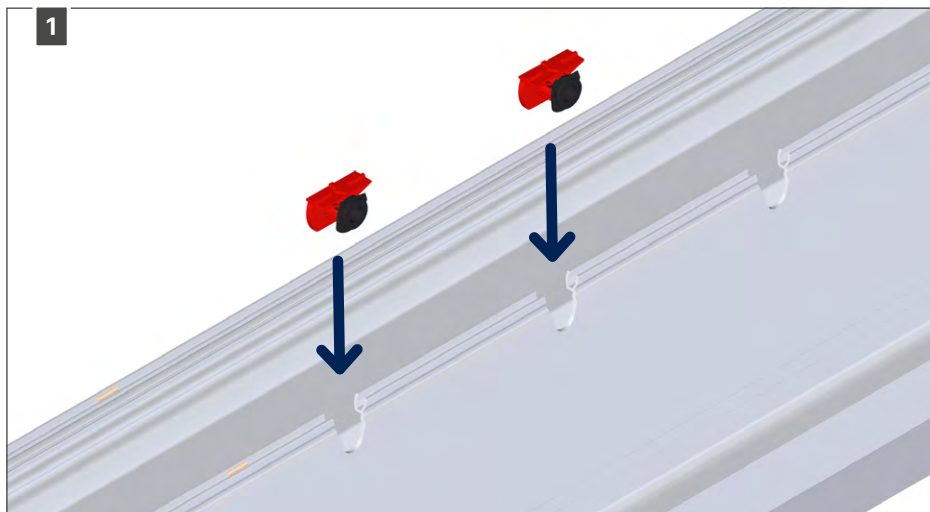
Press the UP and DOWN buttons briefly at the same time on the hand-held remote until the heating element briefly switches on and then switches off.

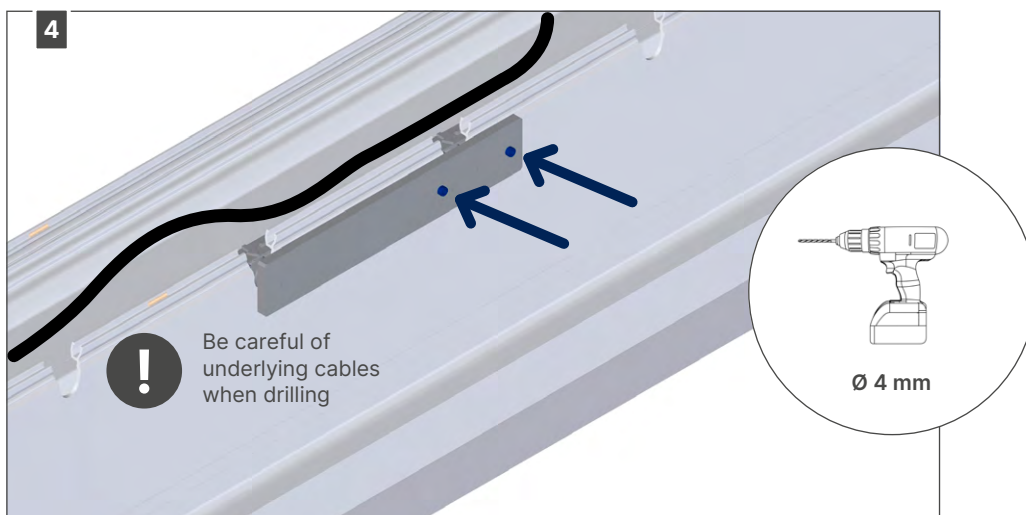
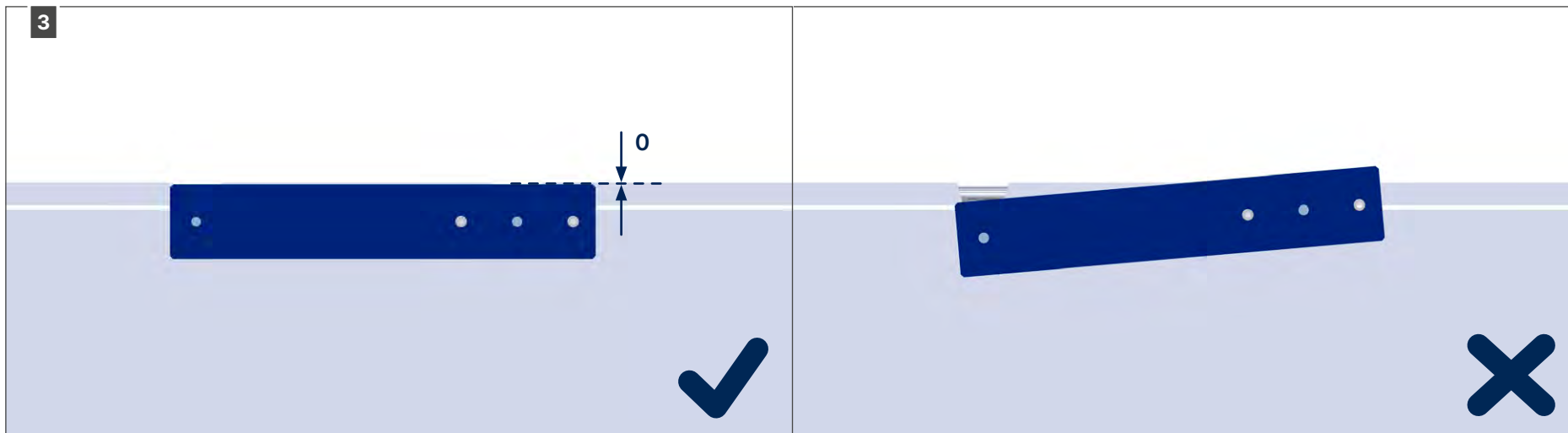


Press the PROG button briefly on the back of the hand-held remote. The heating element briefly switches on and then off to indicate that the hand-held remote is programmed in the Heating Receiver.

5.3 • Lineo Fix

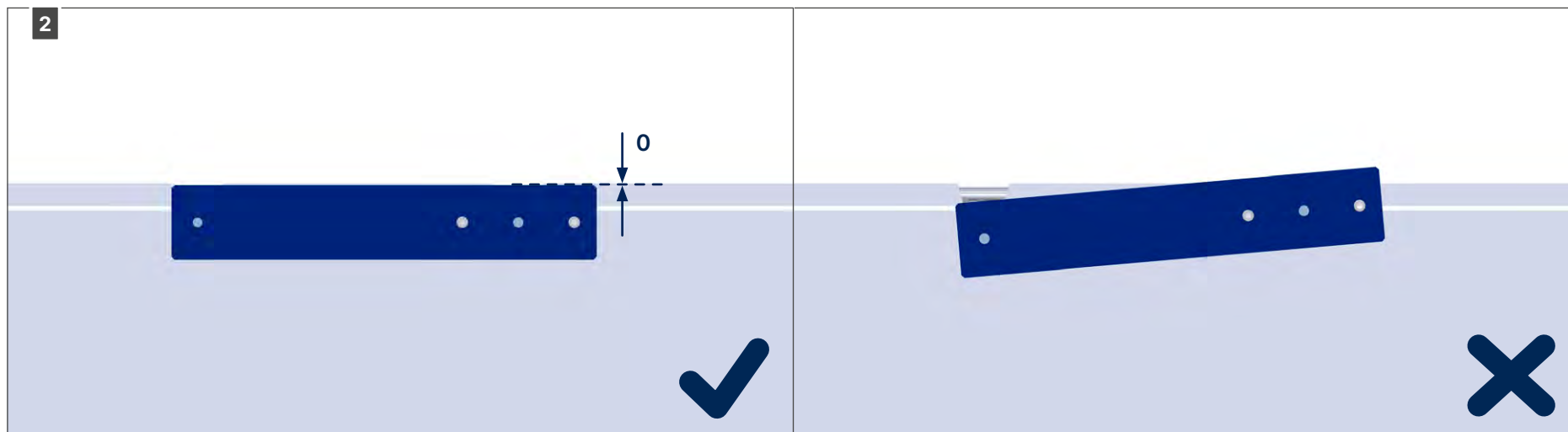
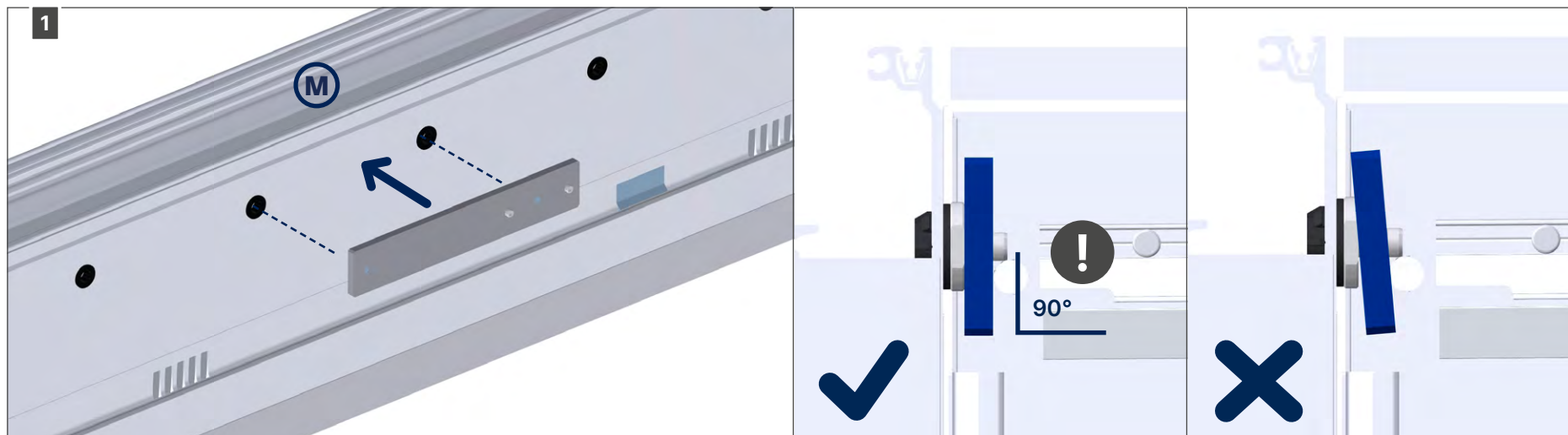
5.3.1 - Position the jig on the high pivot side

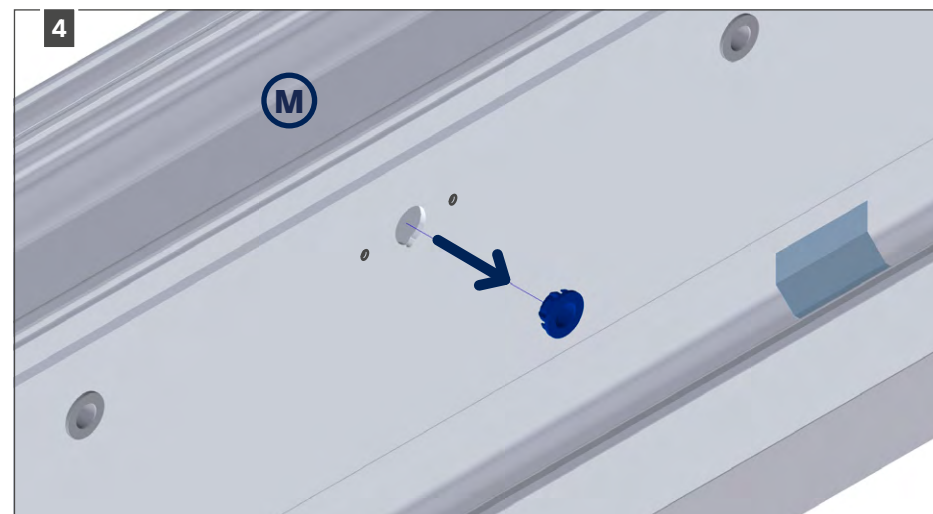
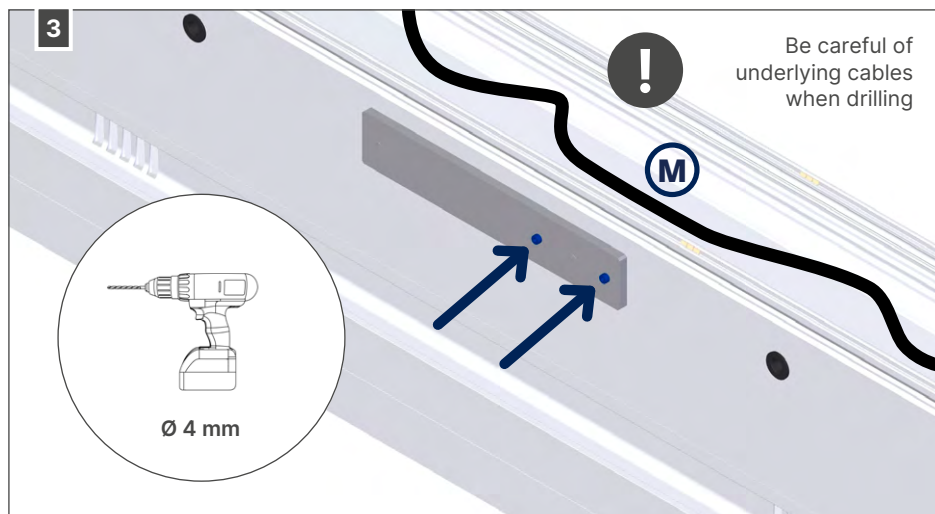




Note: push the jig down while drilling.

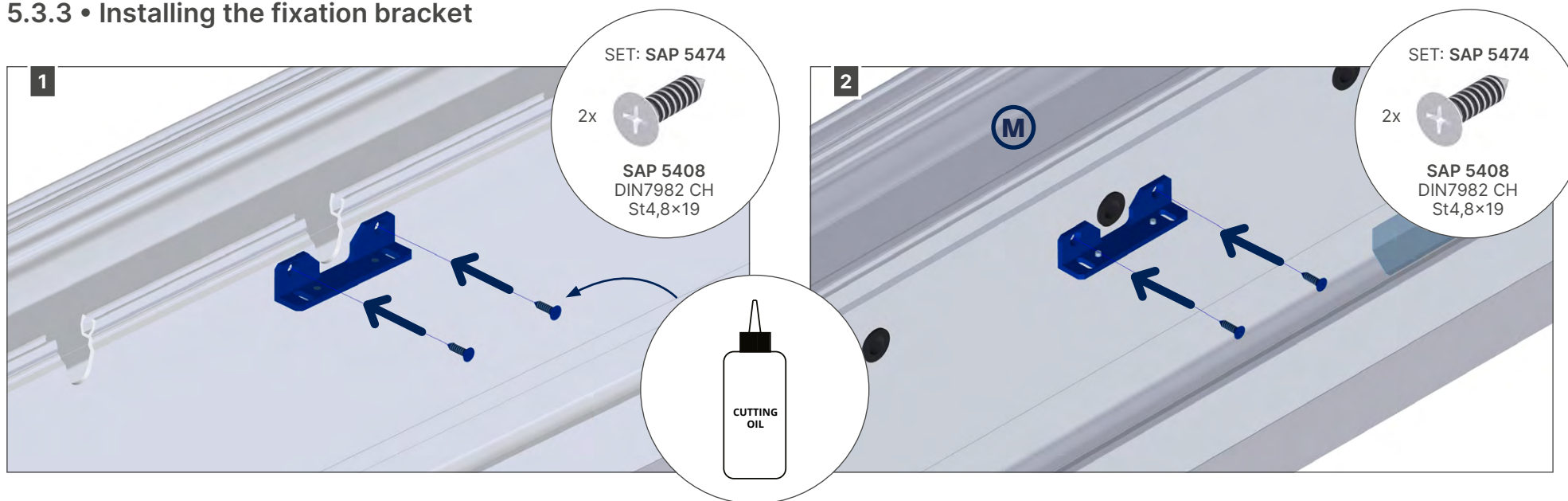
5.3.2 - Position the jig on the low pivot side



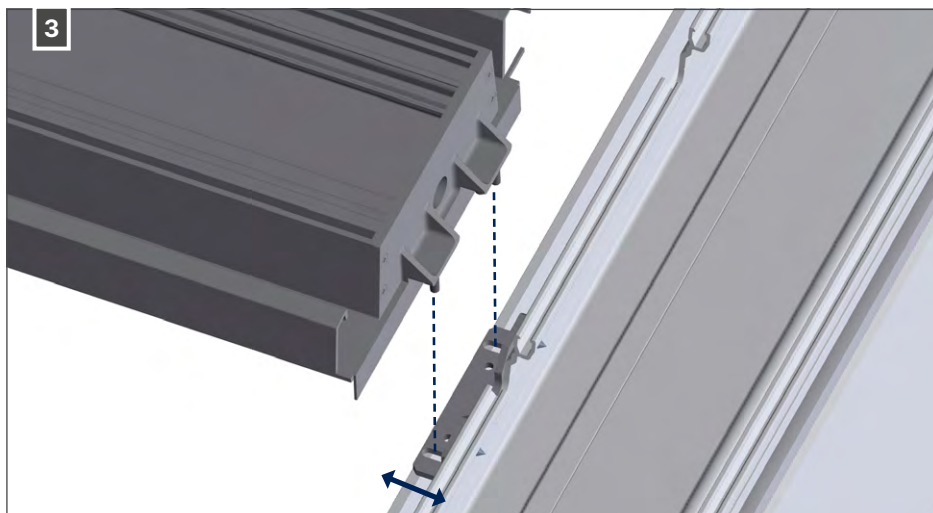
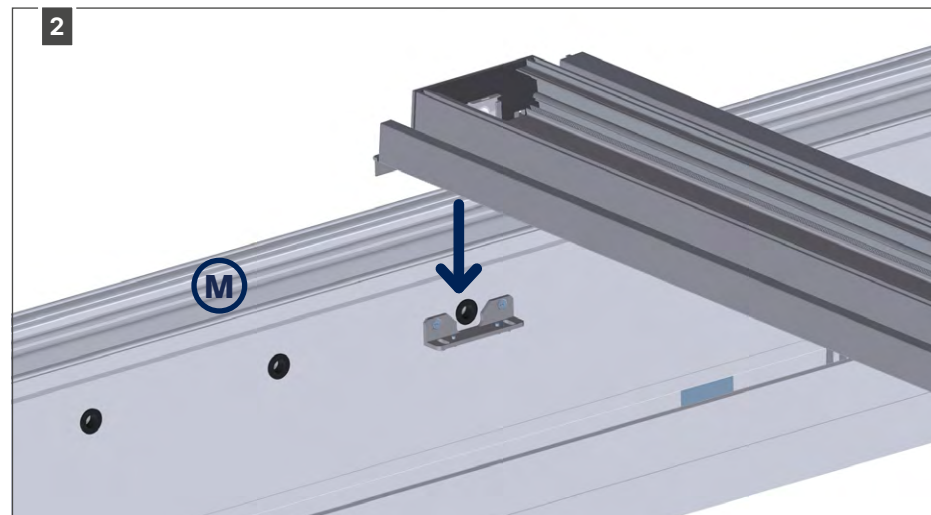
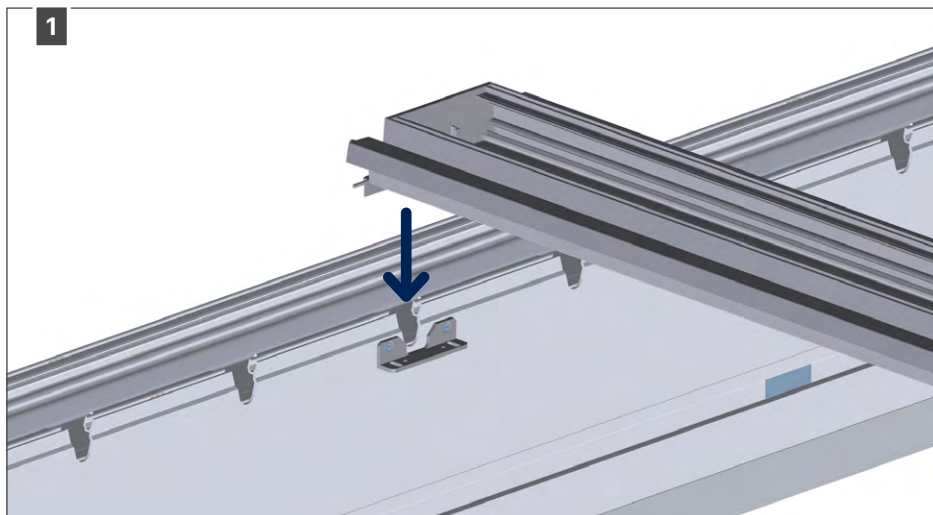


Note: push the jig down while drilling.

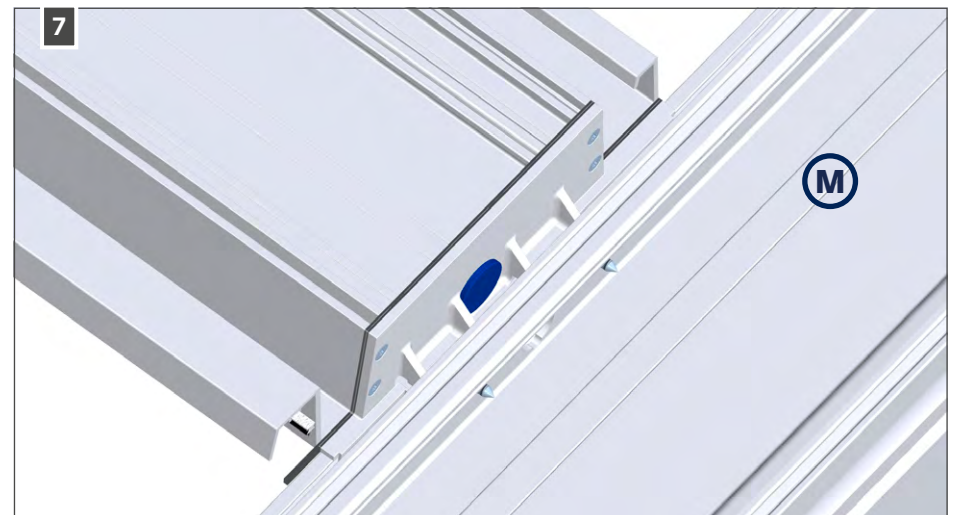
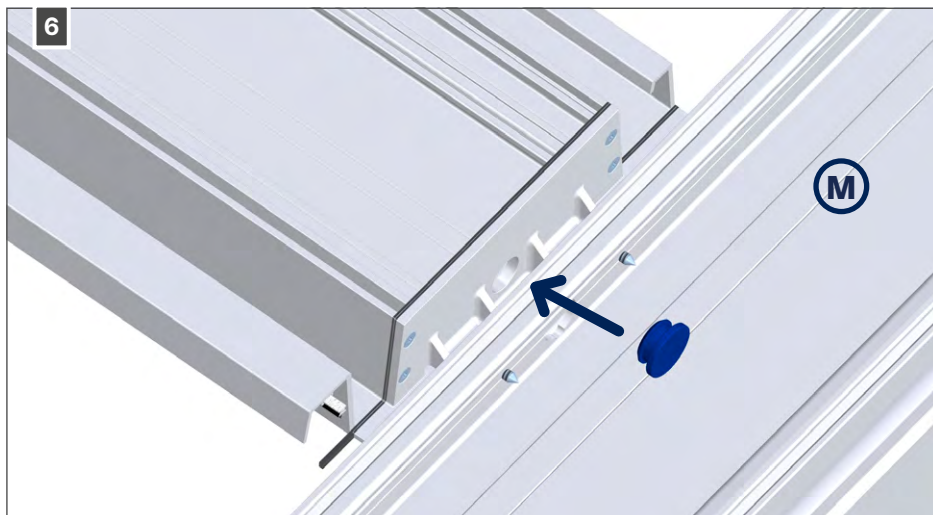
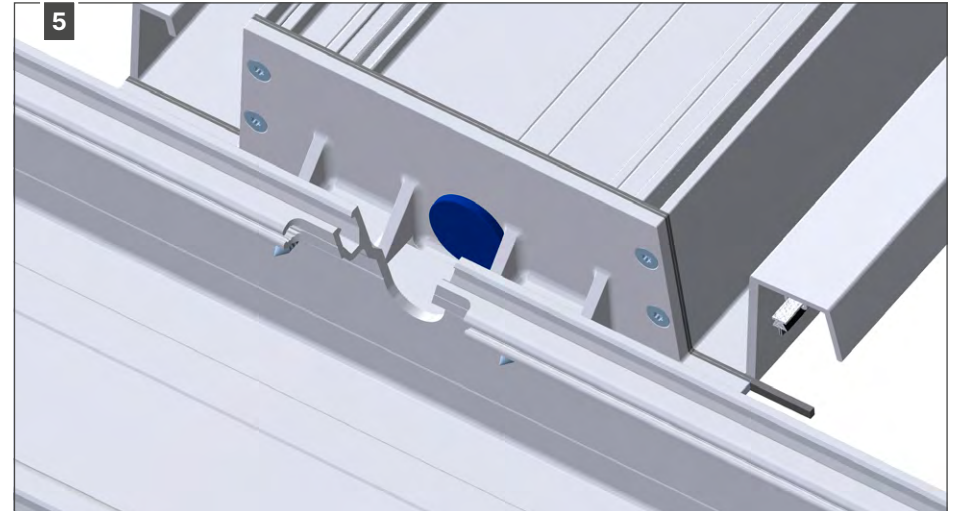
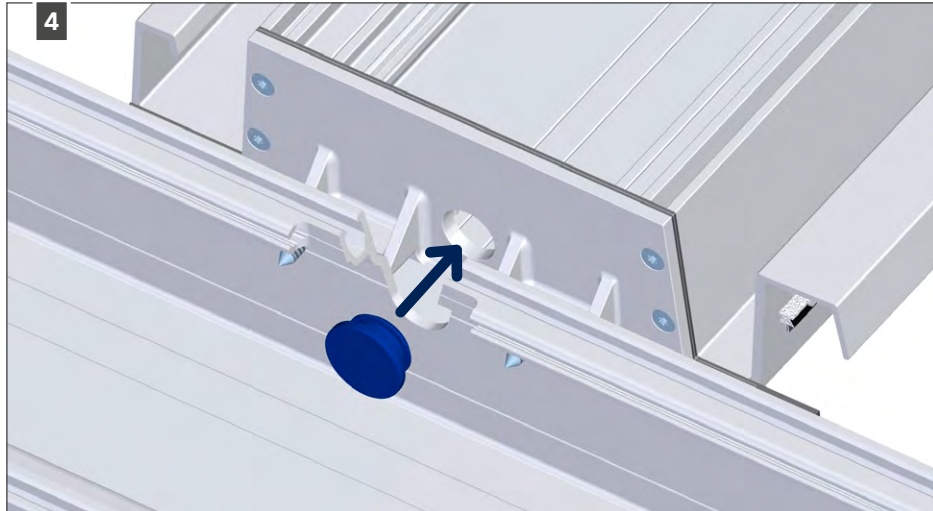
5.3.3 • Installing the fixation bracket



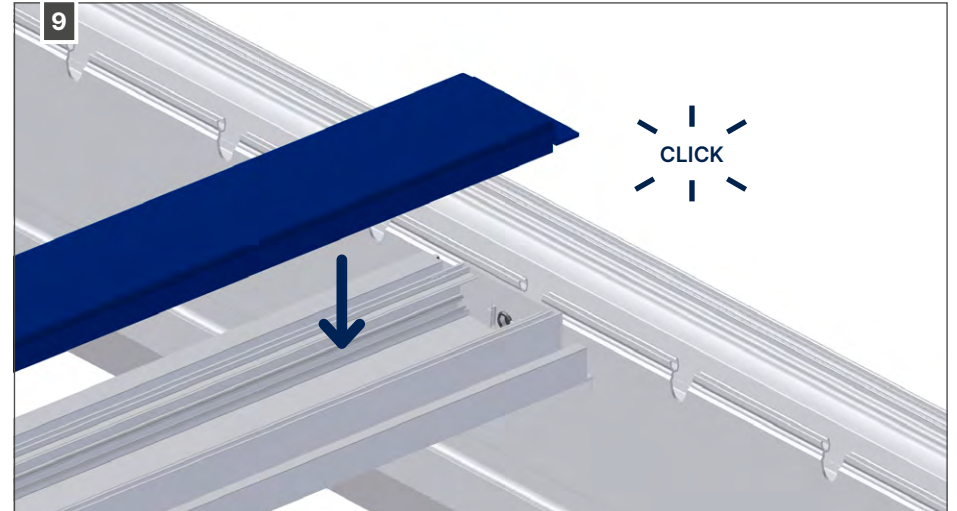
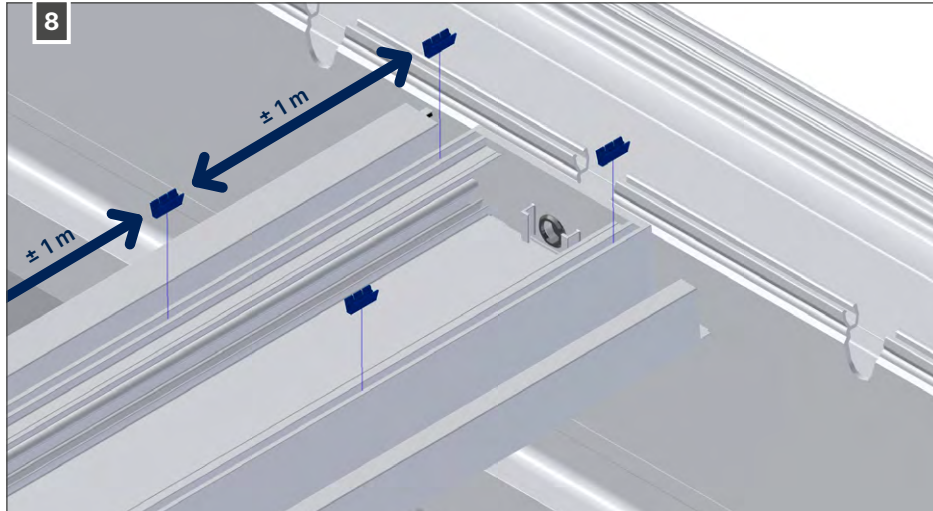
5.3.4 • Installing the Lineo Fix

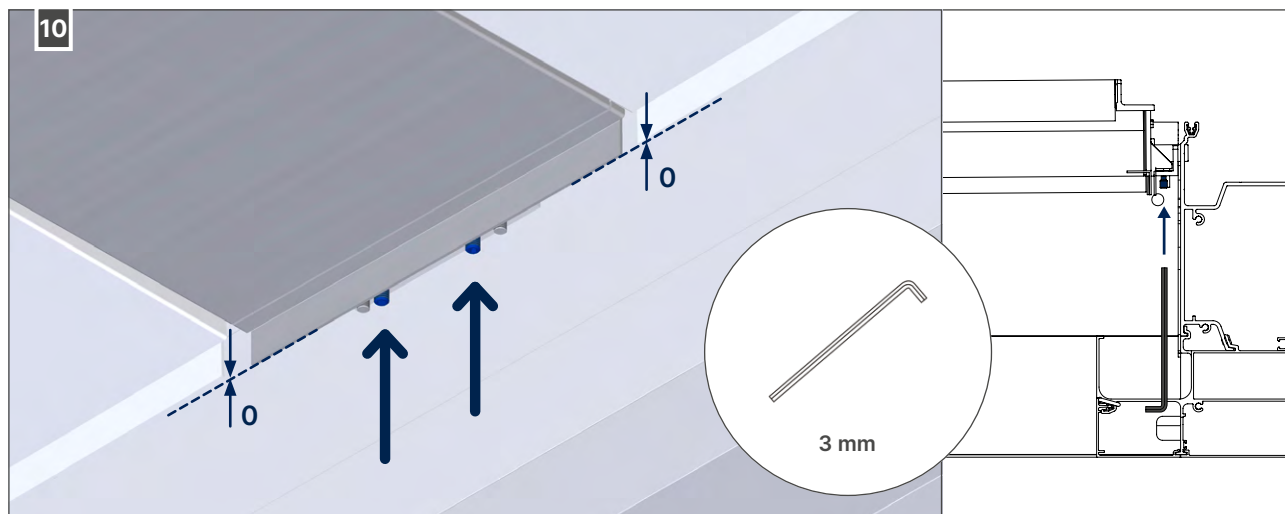


ACCESSORIES ROOF

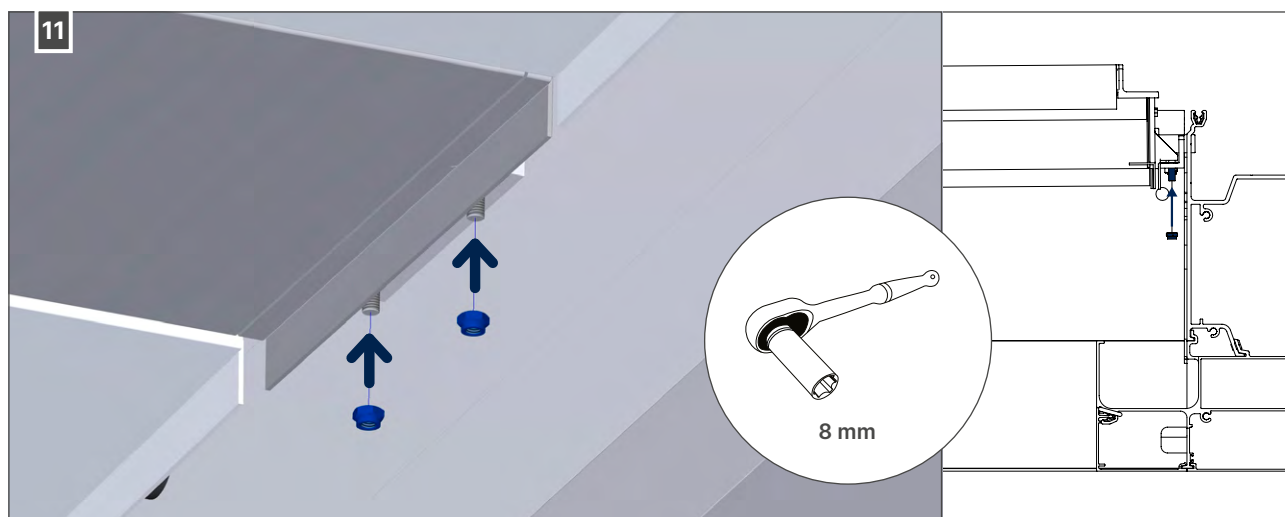


ACCESSORIES ROOF





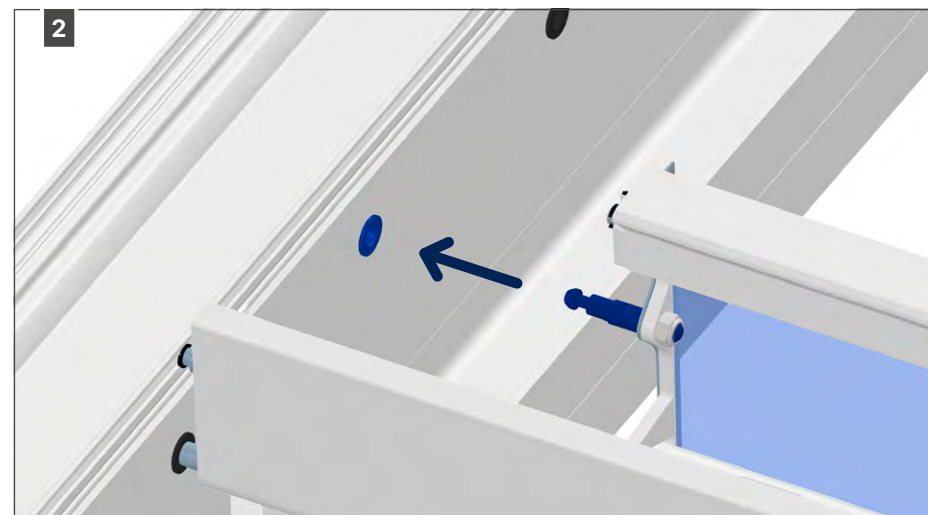
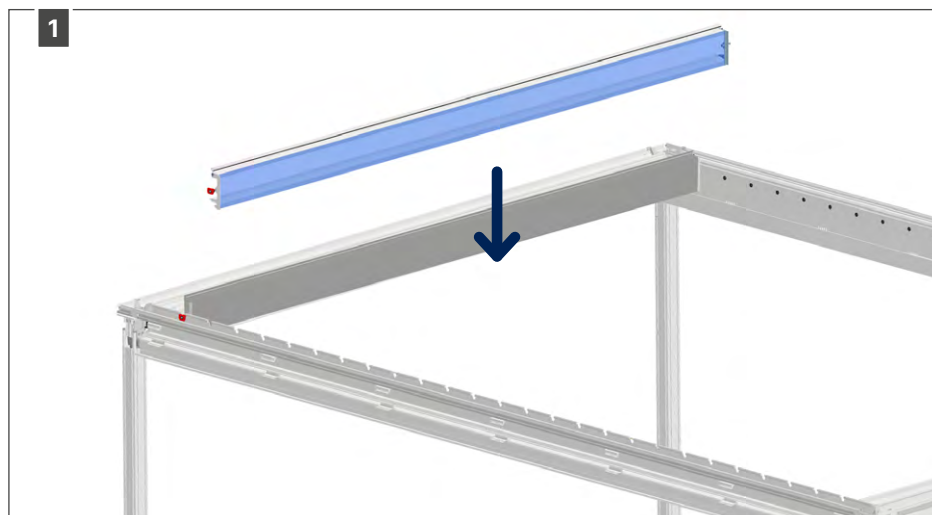
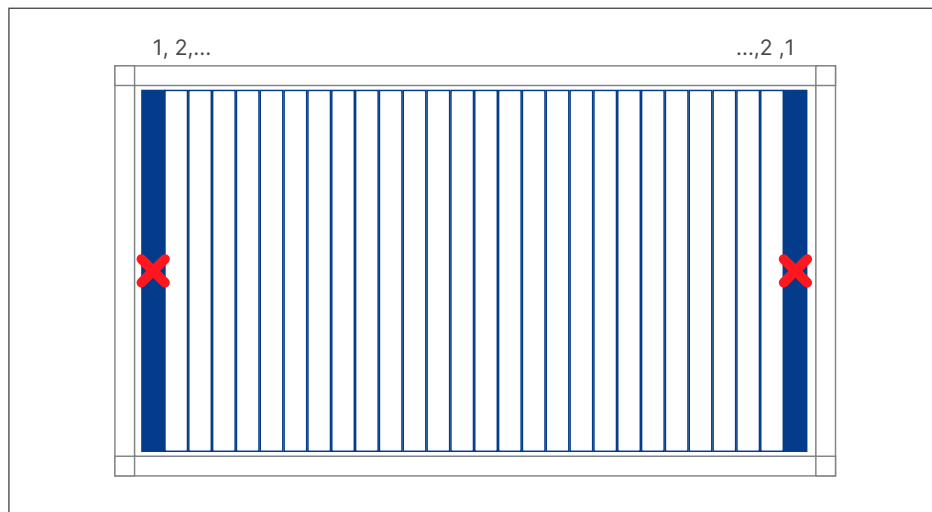
View from the underside of the Lineo Fix blade with alignment between two standard blades

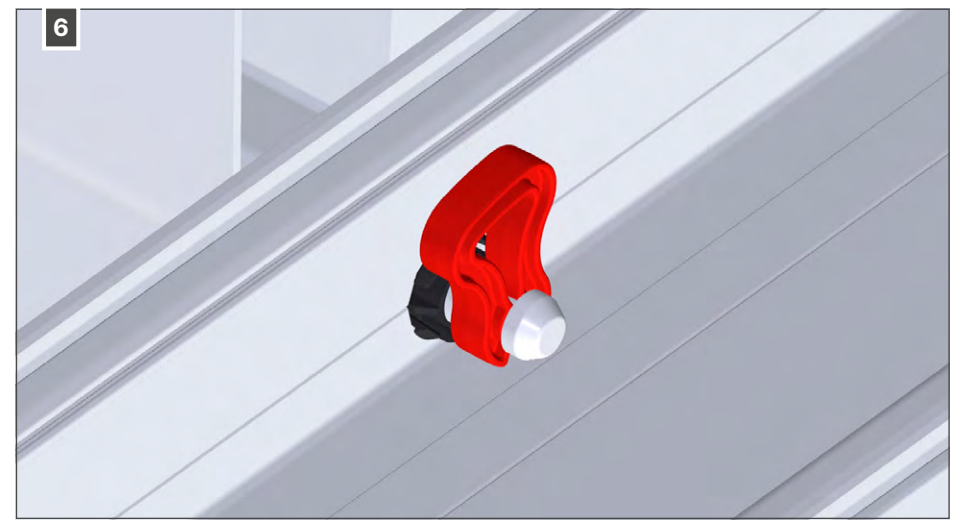
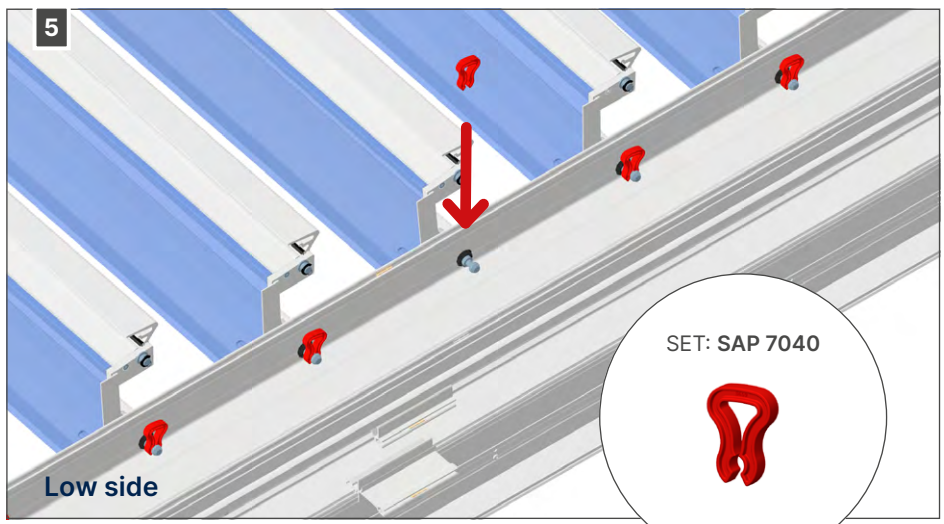
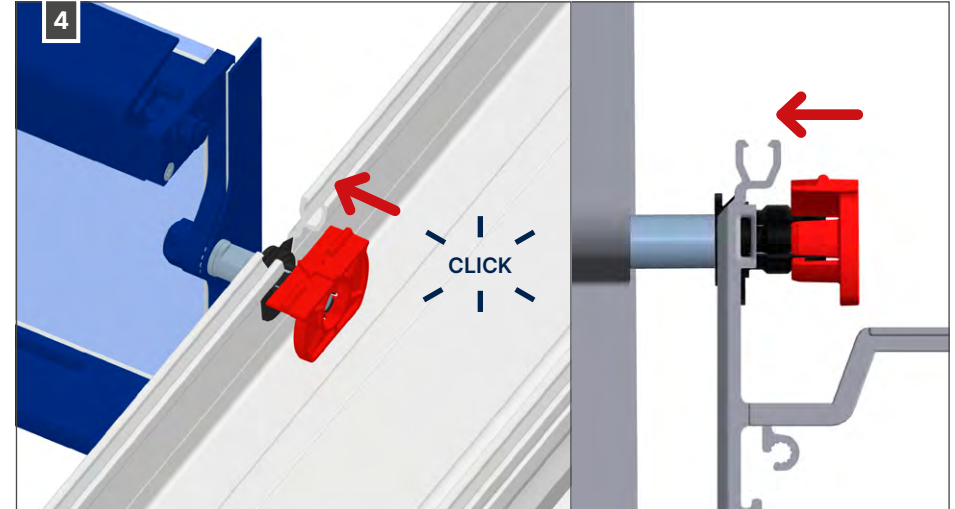
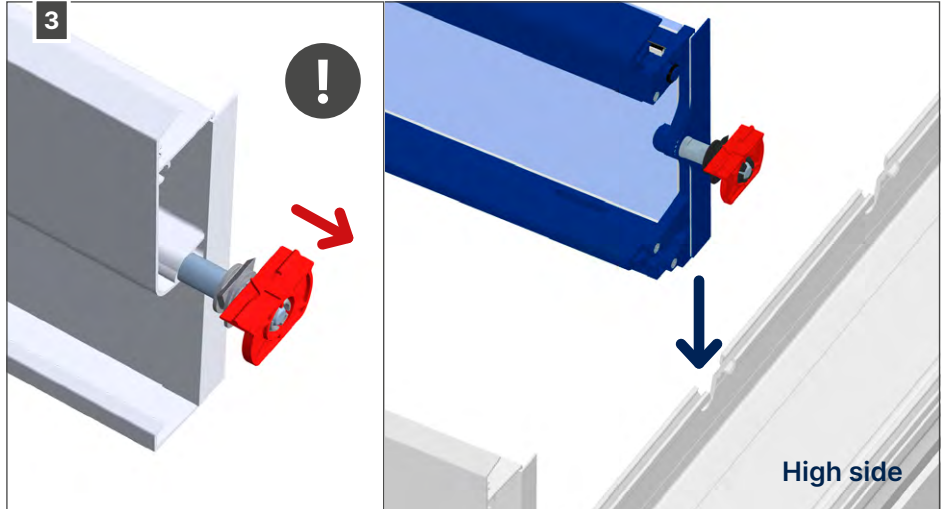


View from the underside of the Lineo Fix blade

5.4 • Lineo Luce

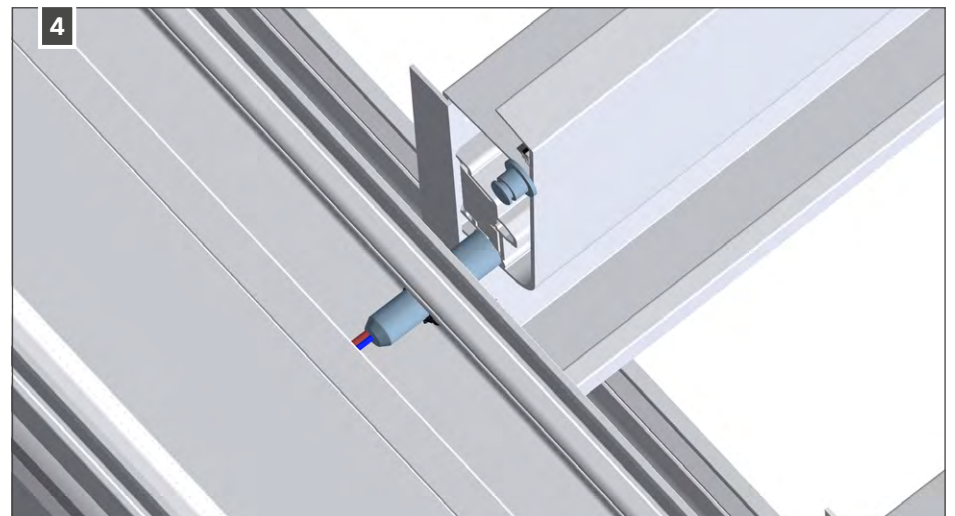
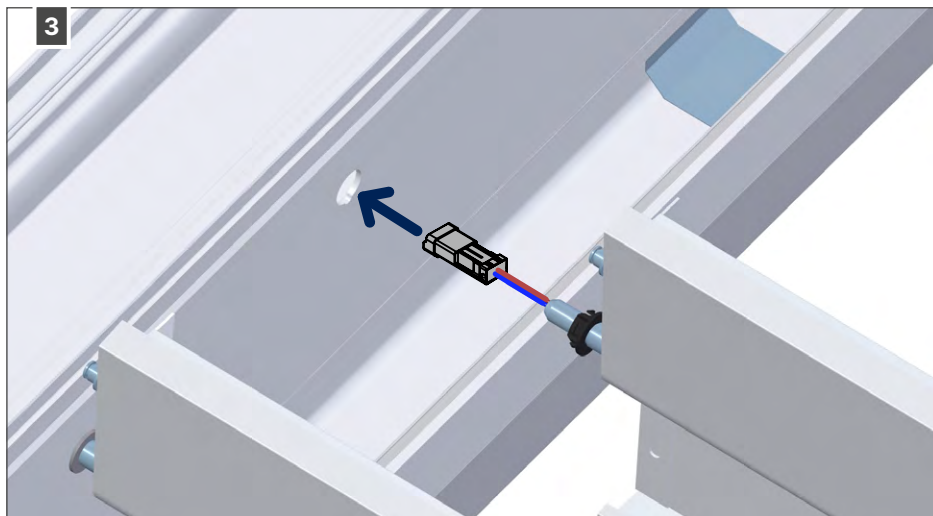
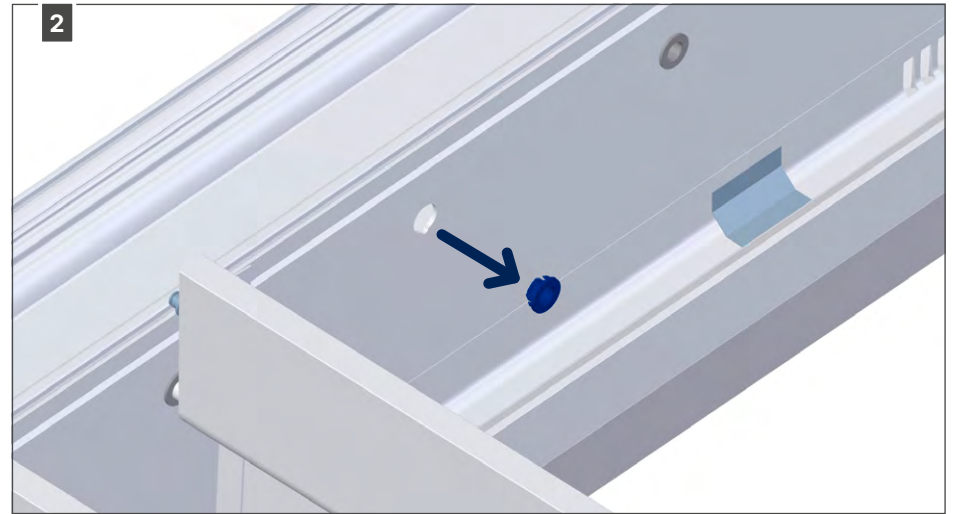
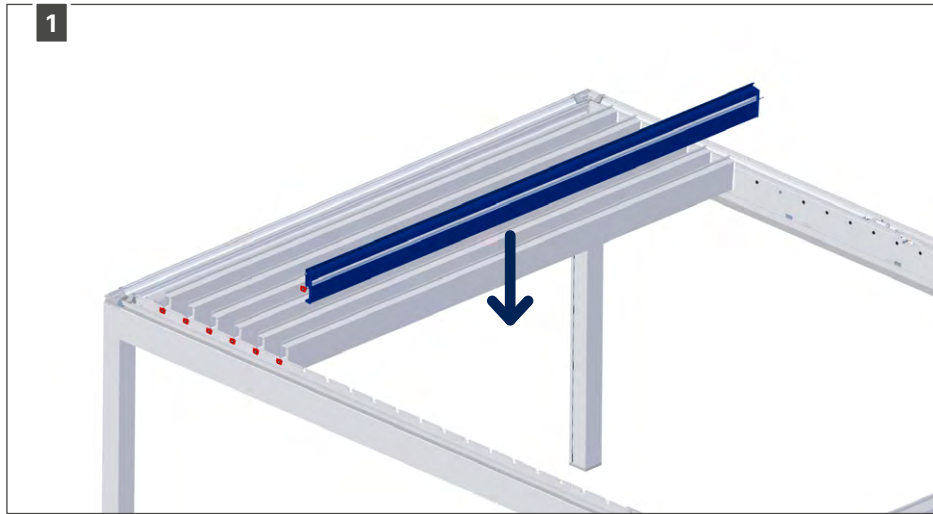
Compatibility/restrictions



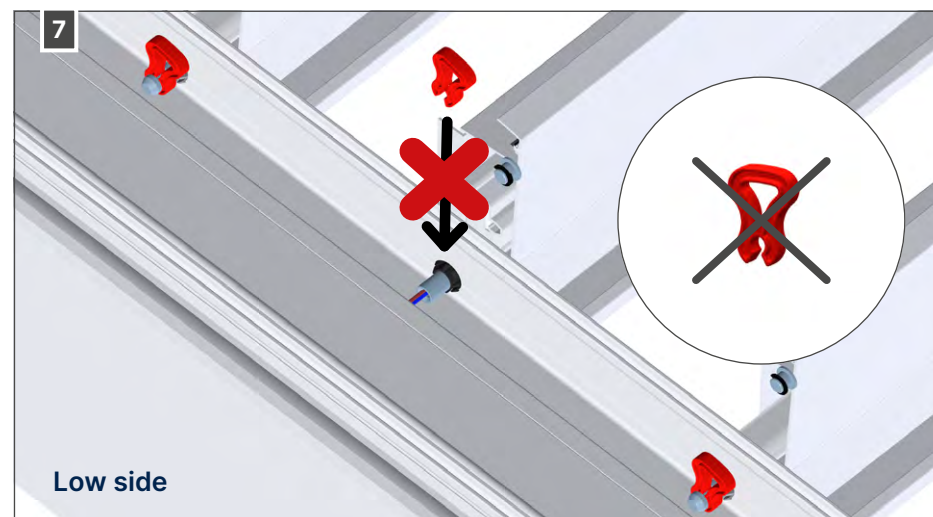
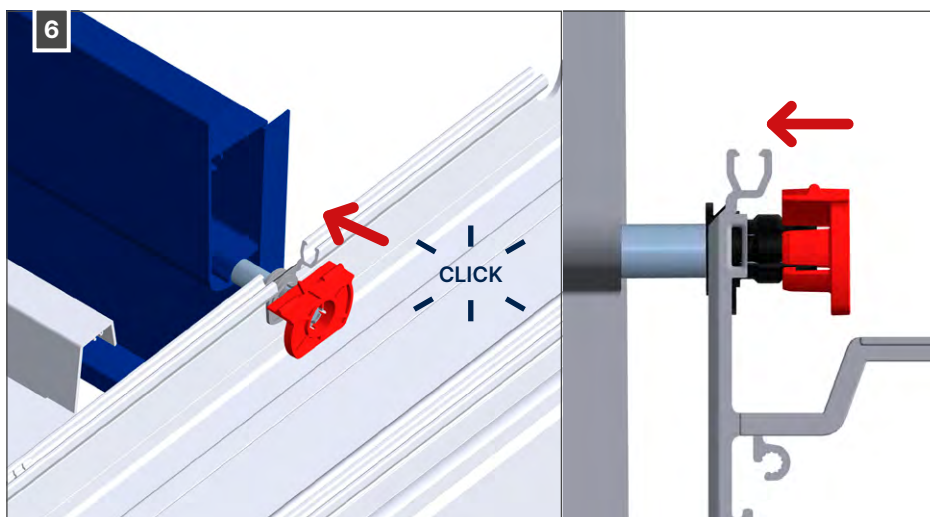
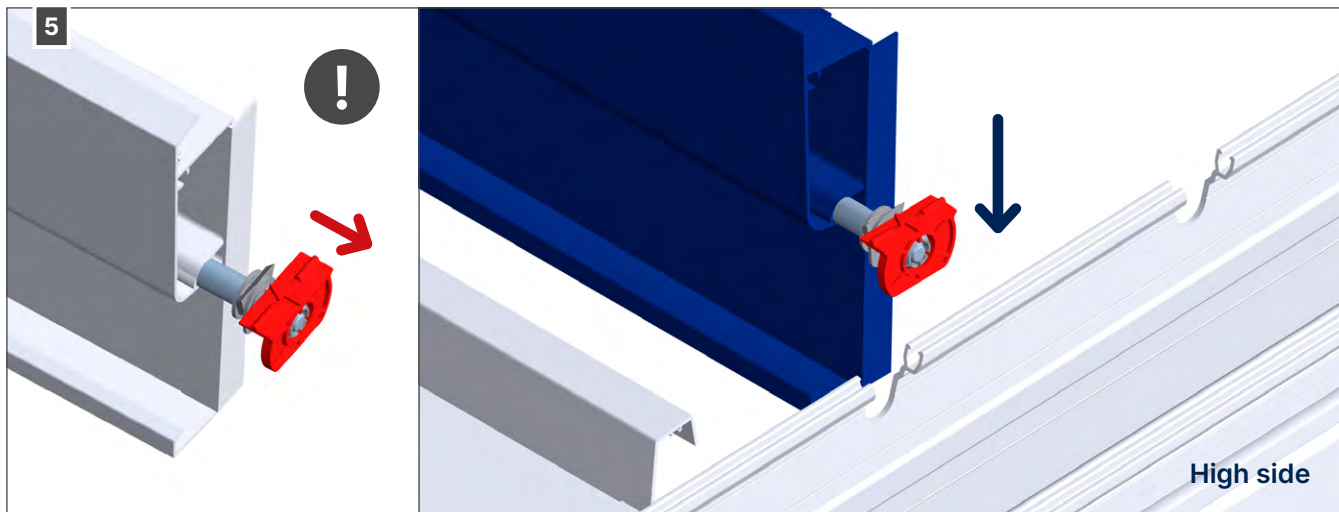


ACCESSORIES ROOF

5.5 • Lineo LED



ACCESSORIES ROOF

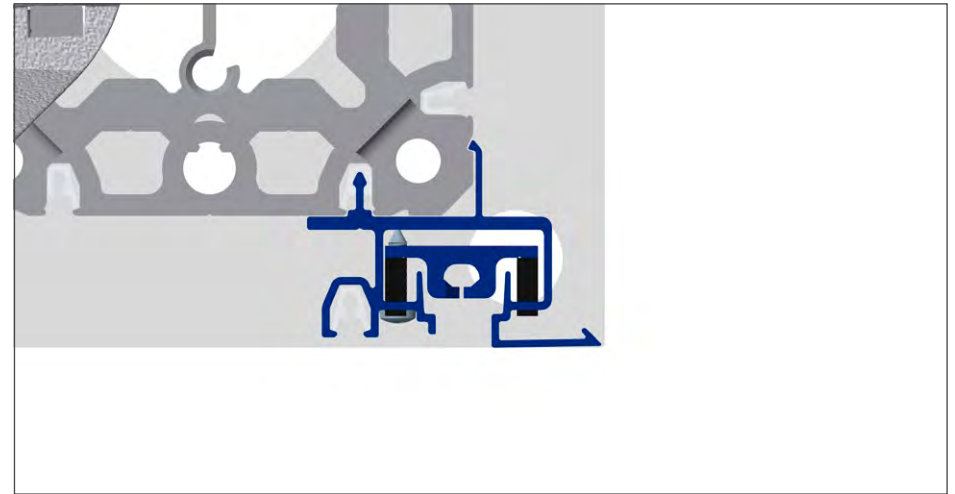
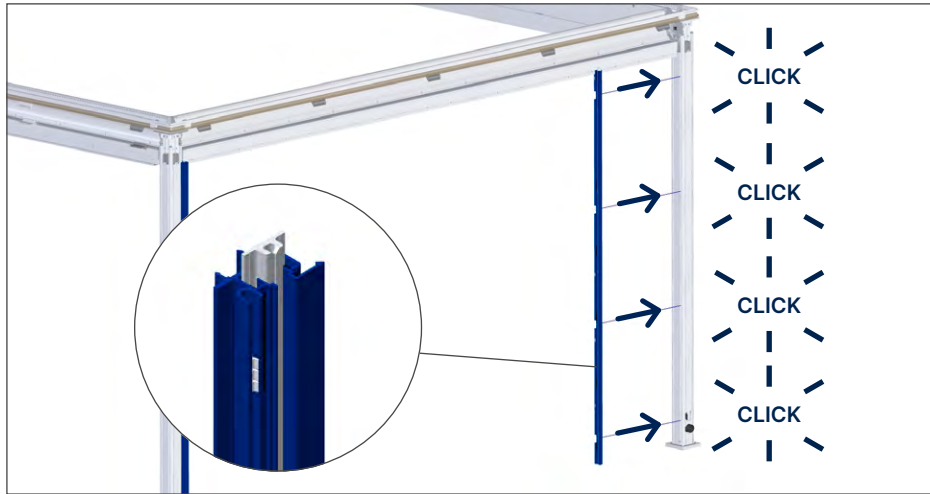


INFILLS

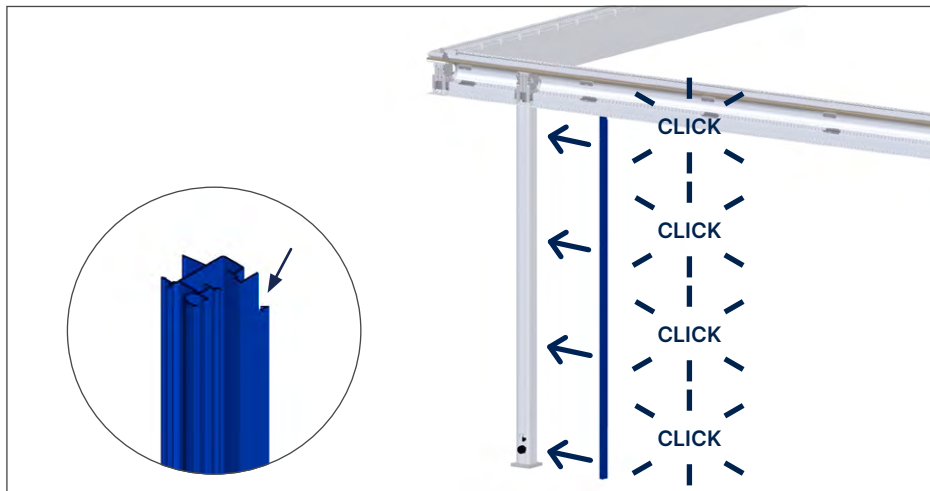
6 • Fixscreen

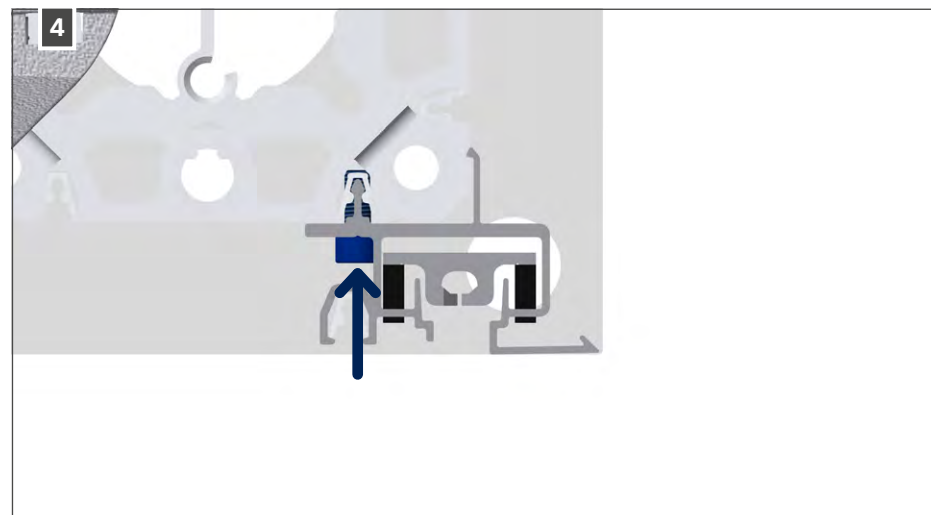
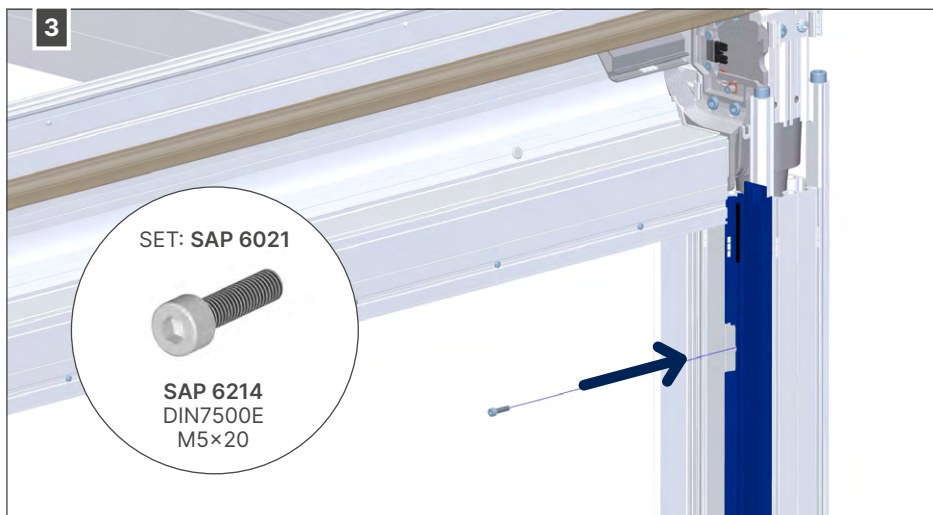
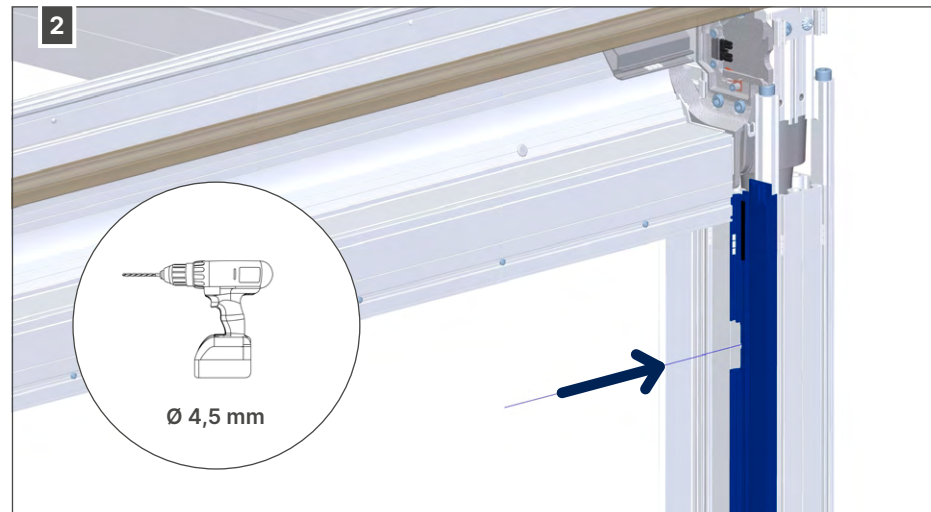
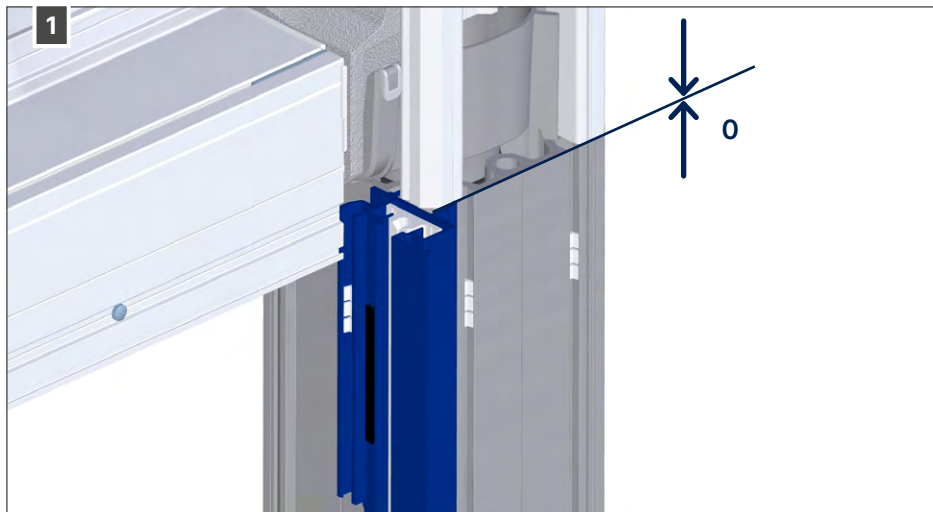
6.1 • Installation

L-junction with columns (place side guiding channel on both columns)



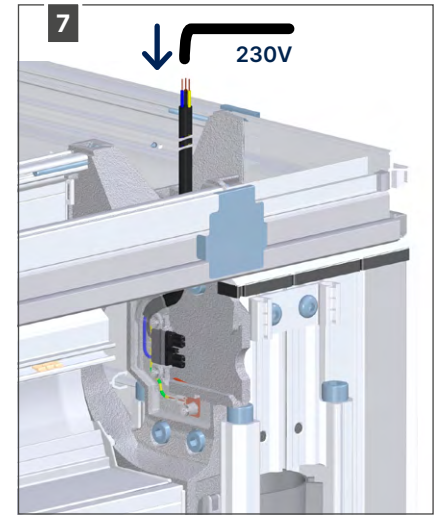
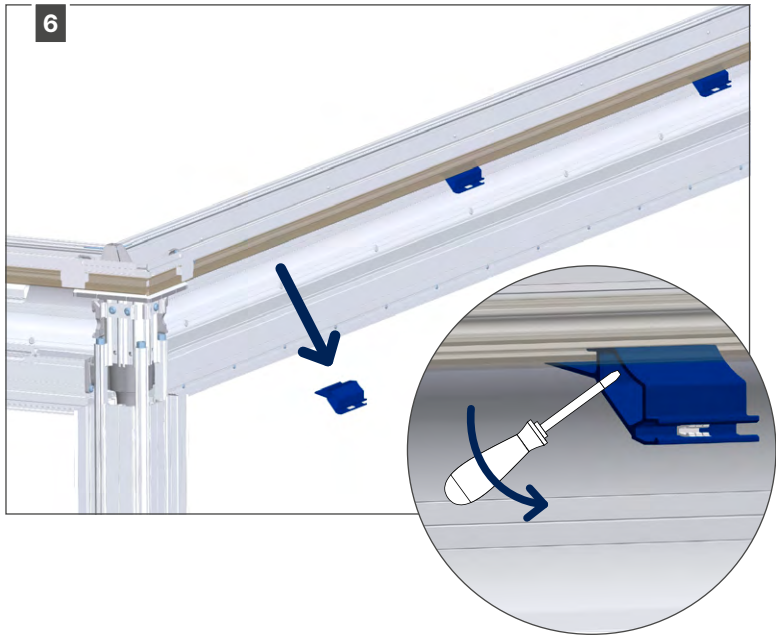
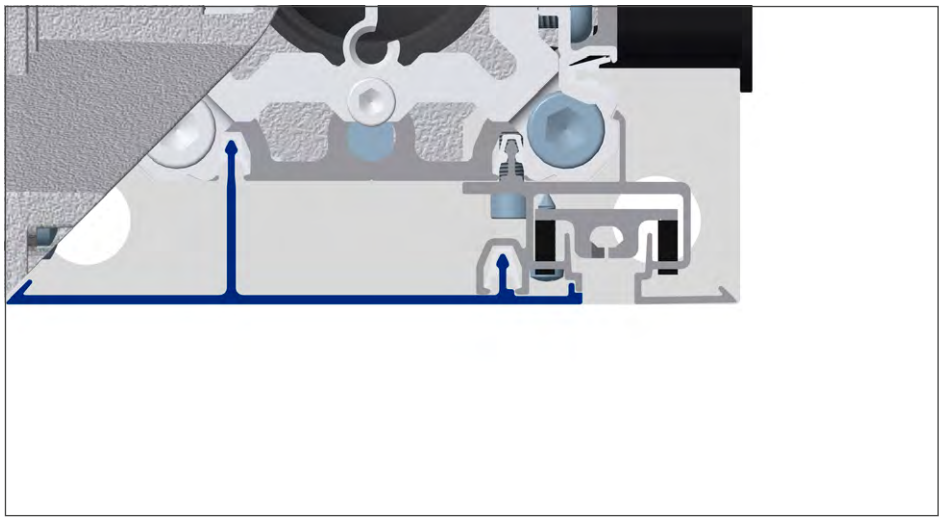
I-junction with columns (place side guiding channel on both columns)



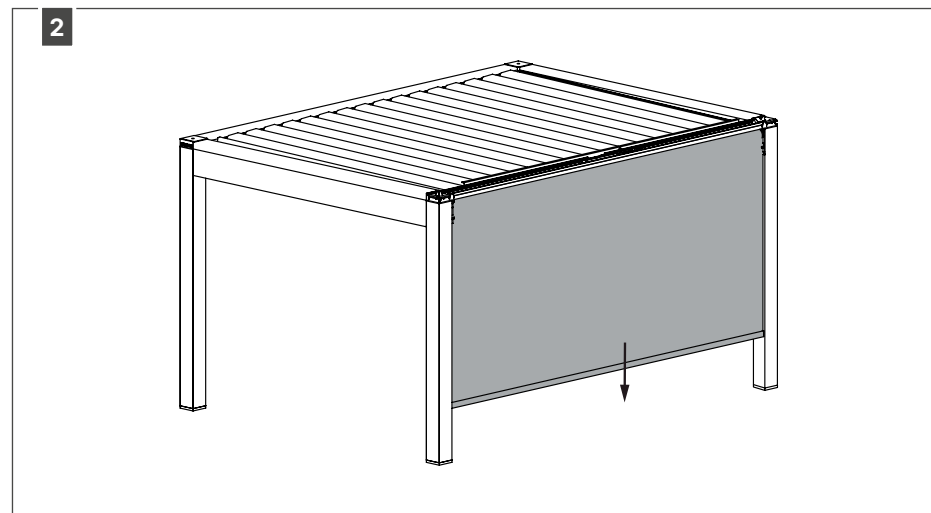
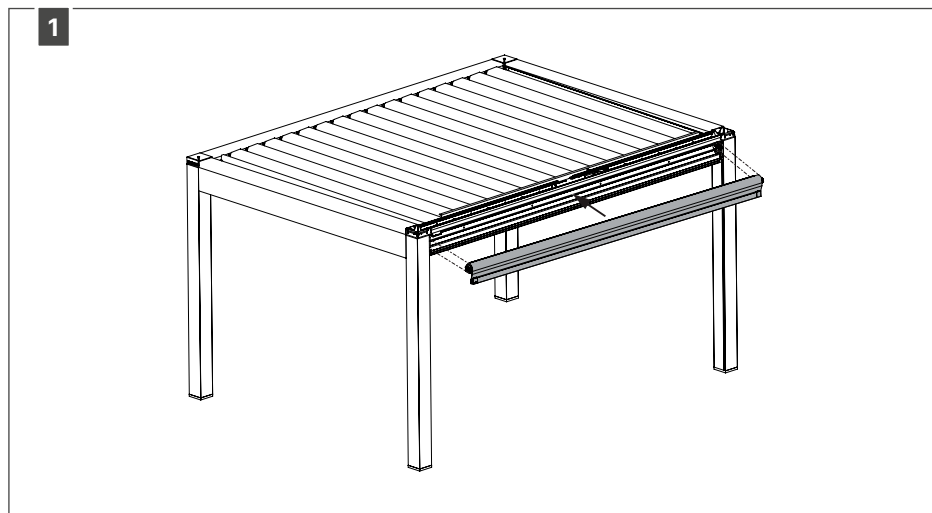


FIXSCREEN

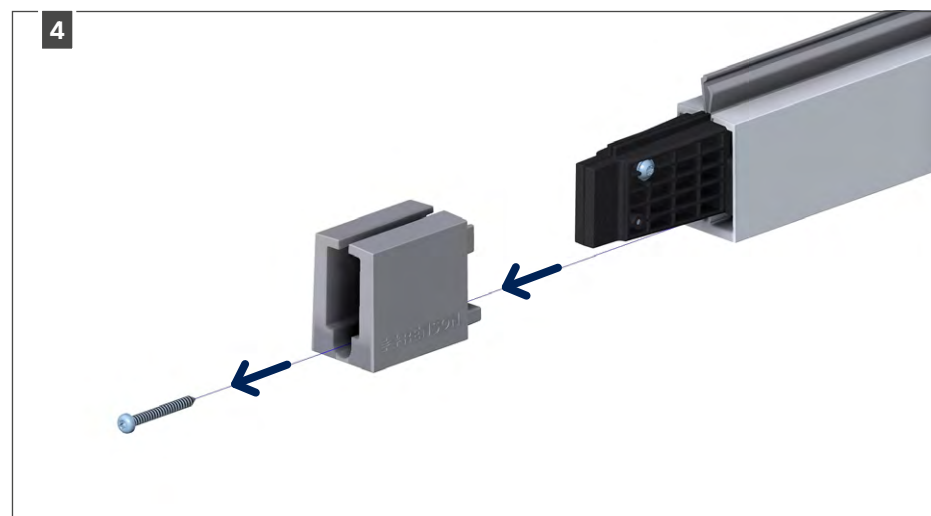
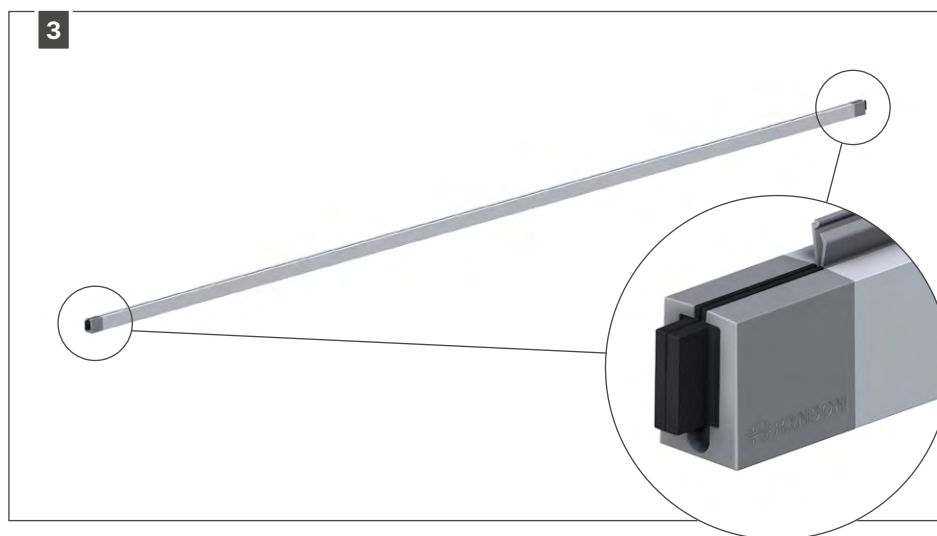
Installation of cover column

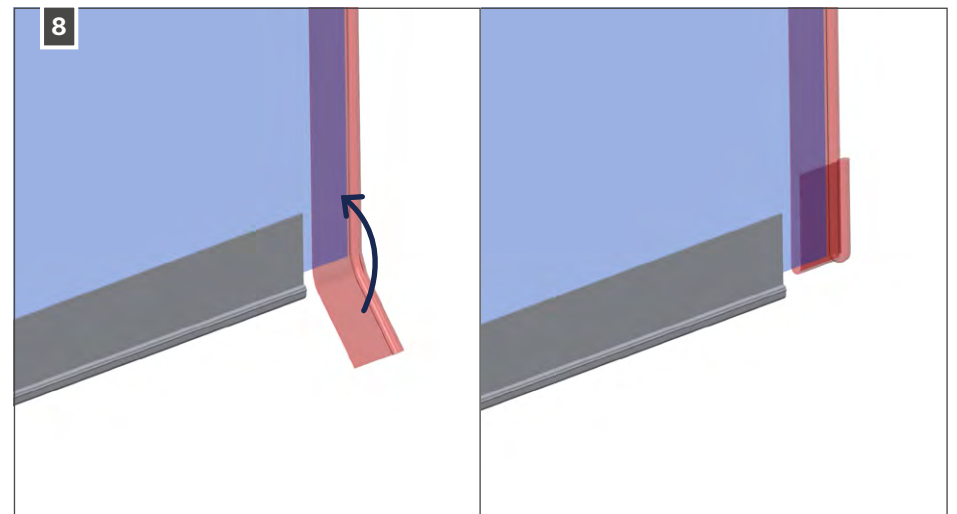
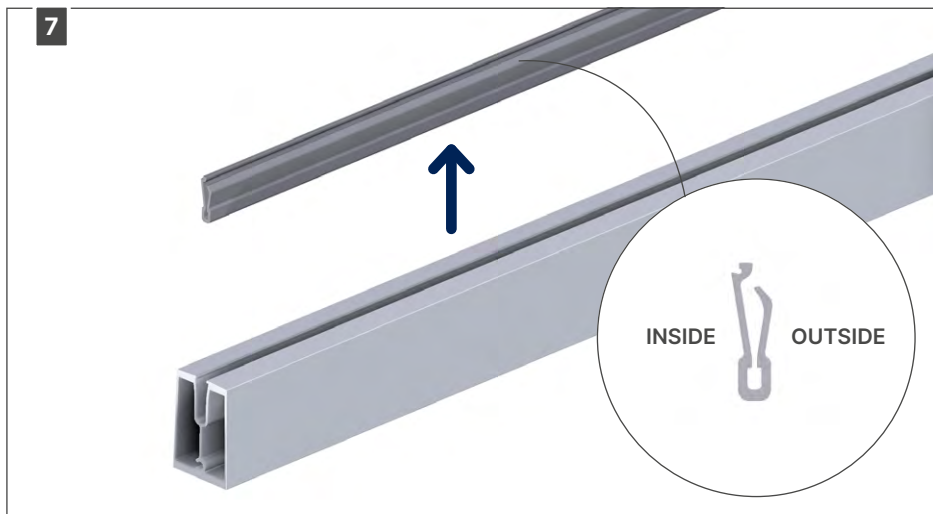
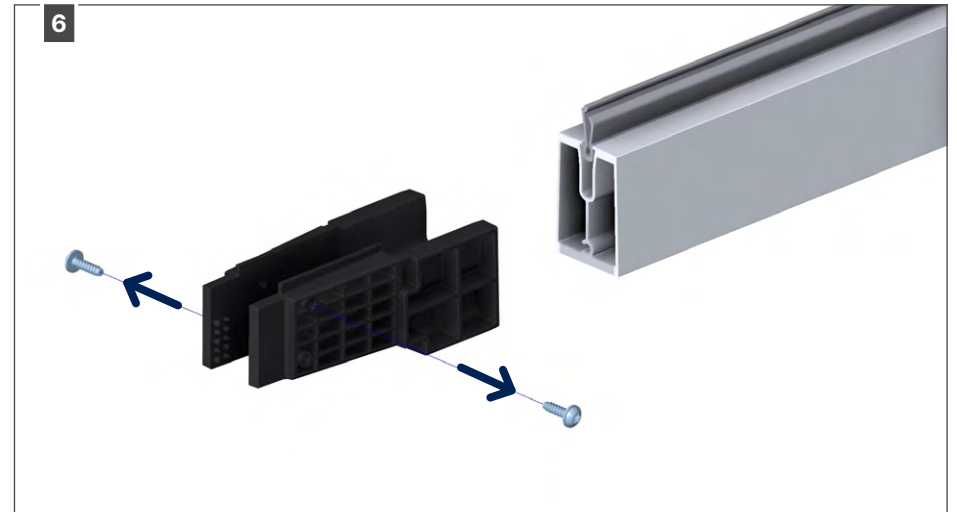
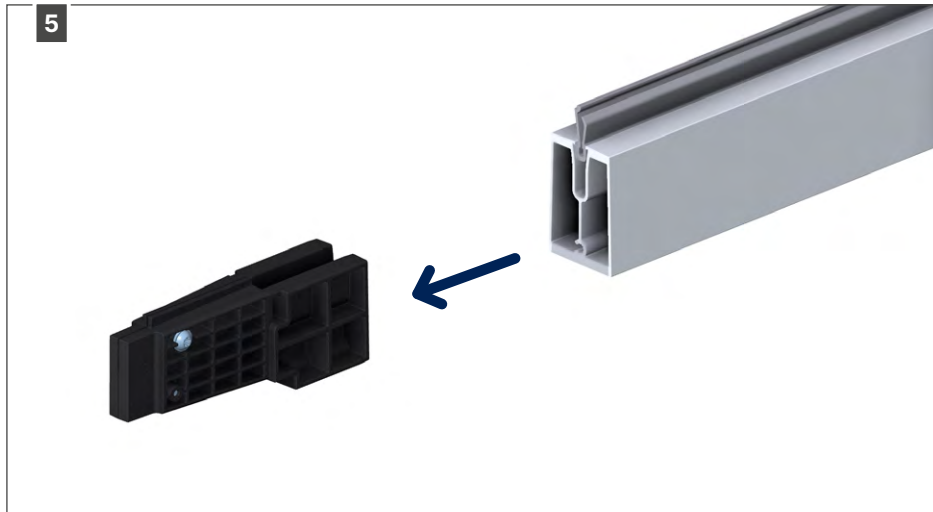


Installation of the bottom bar of the Fixscreen

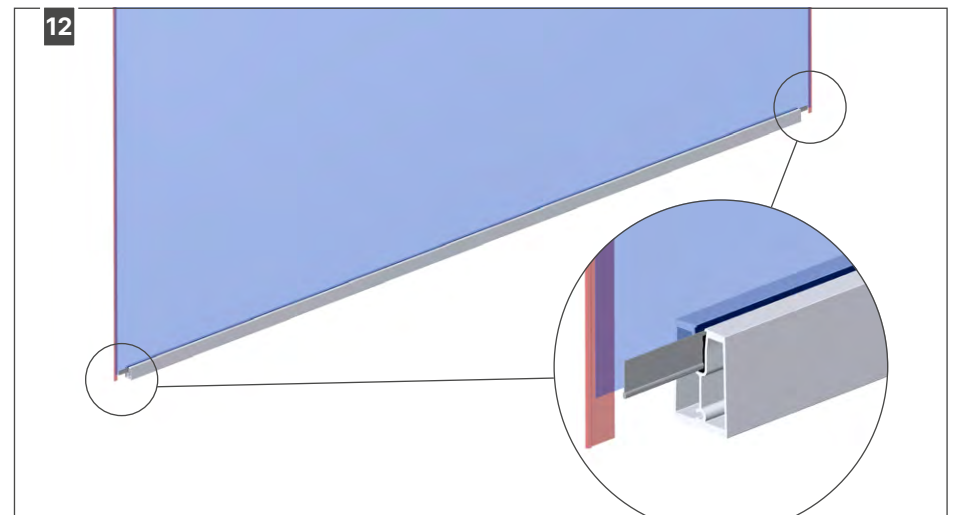
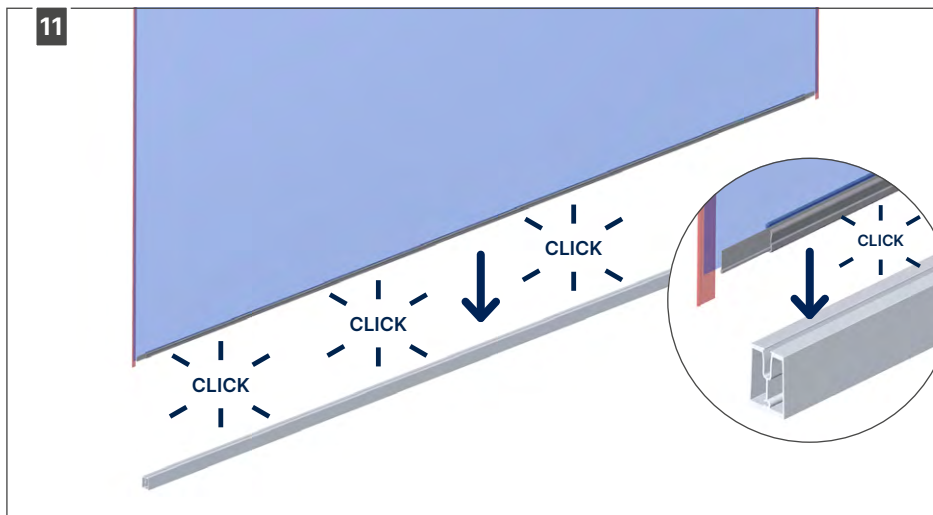
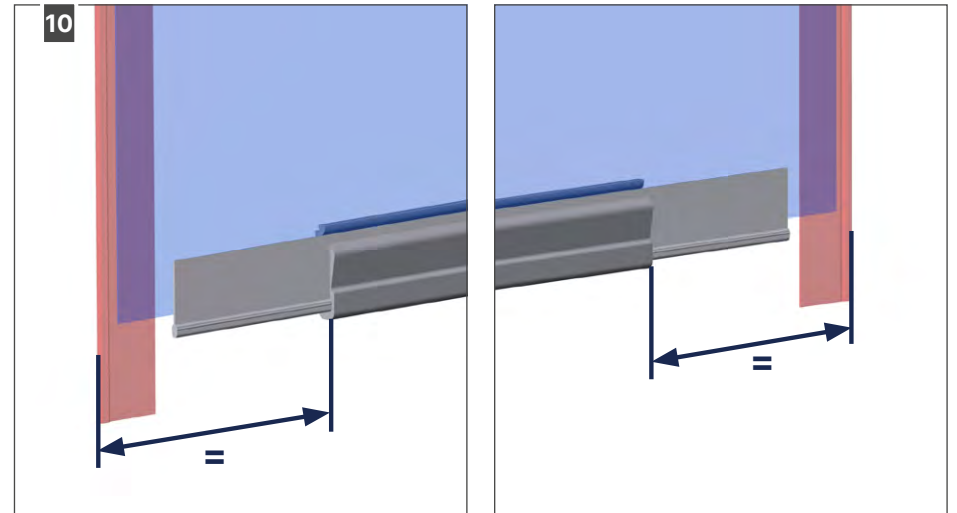
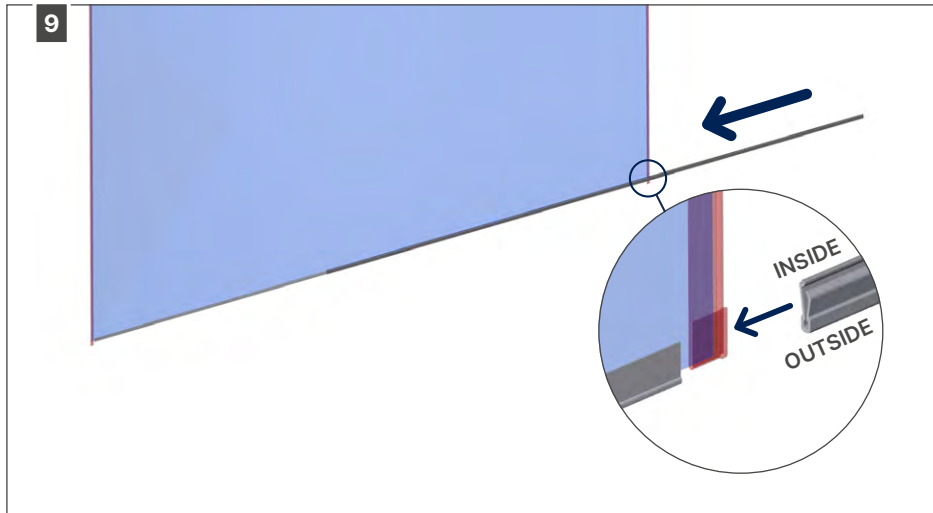


For ergonomic reasons, install the Fixscreen without the bottom bar. However, for specific configurations, mount the bottom bar first and skip steps 1 and 2. Then install the Fixscreen in the patio cover.

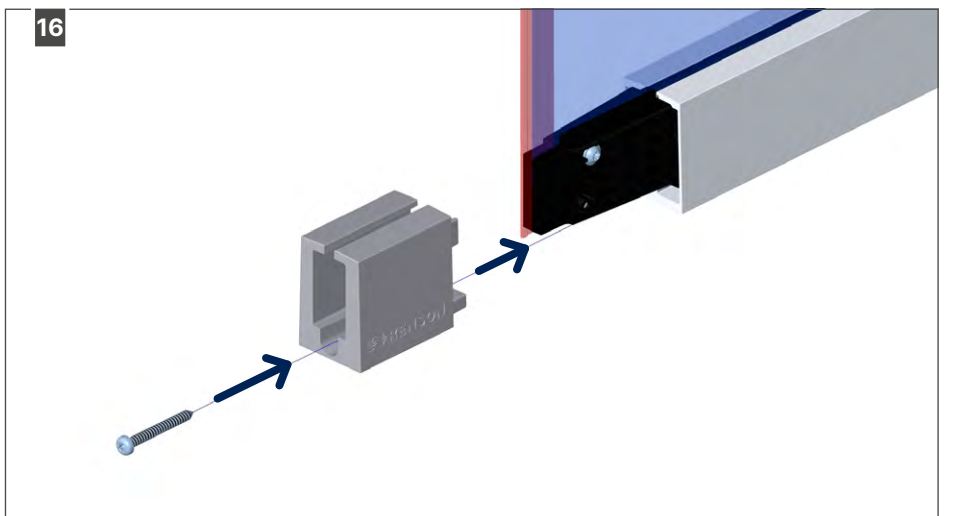
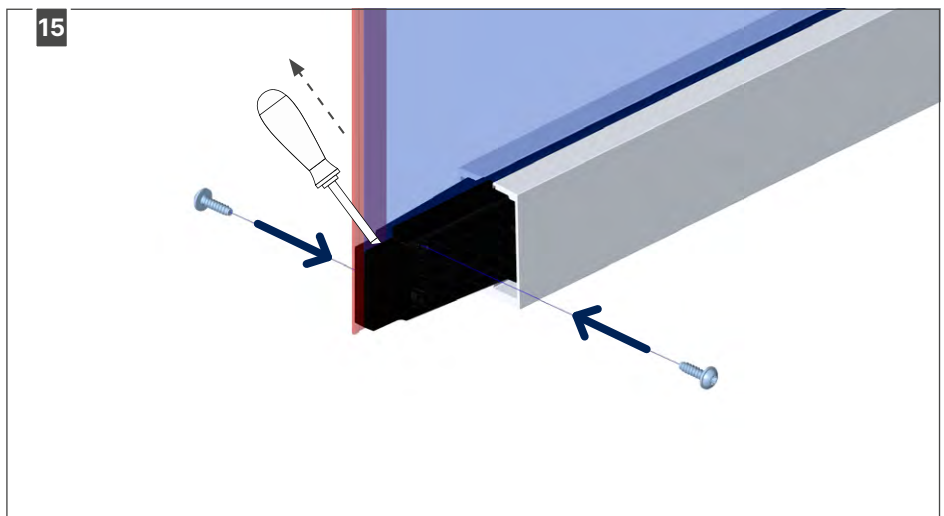
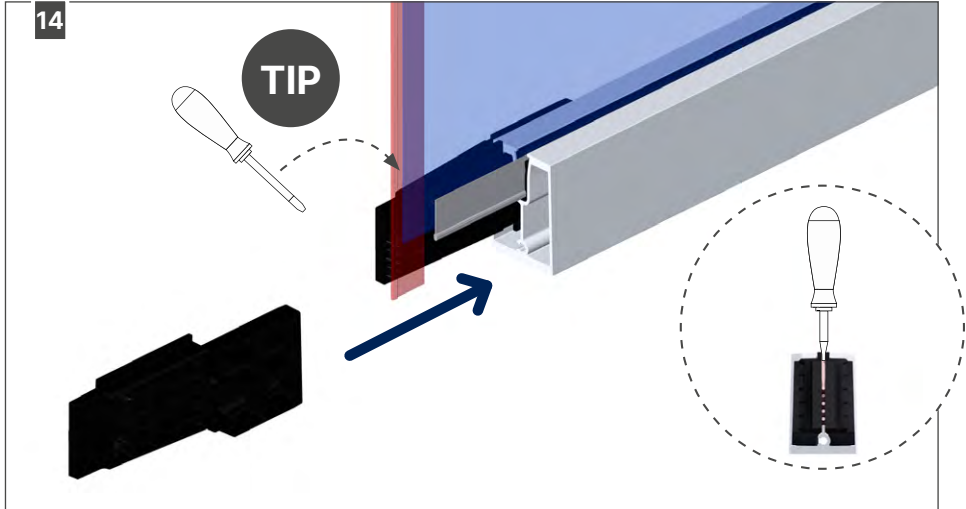
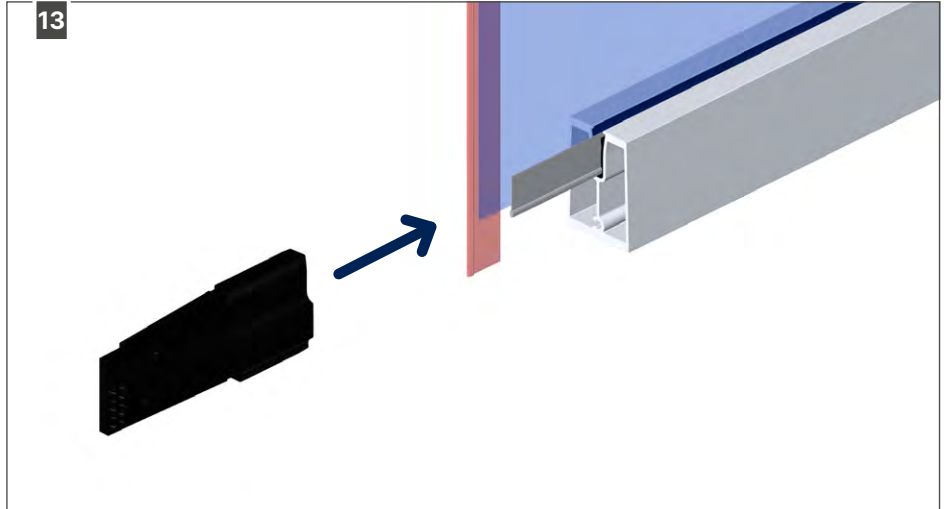




FIXSCREEN

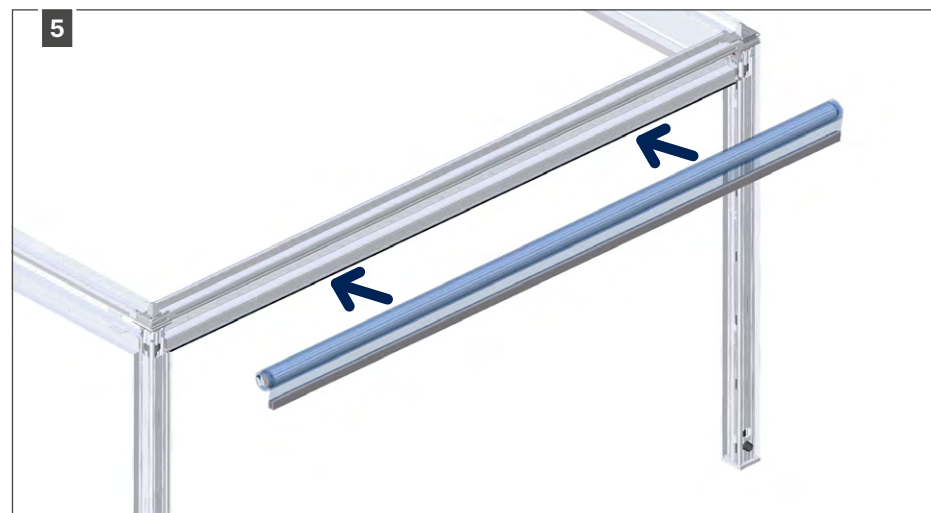
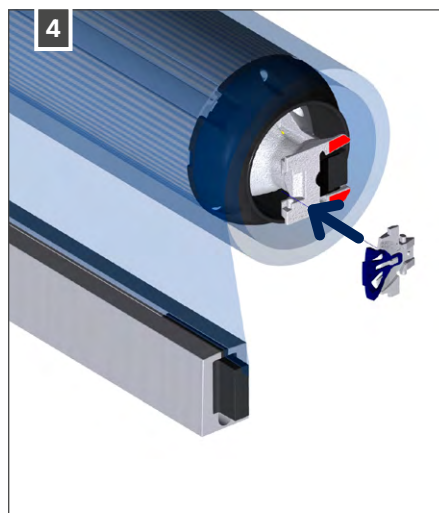
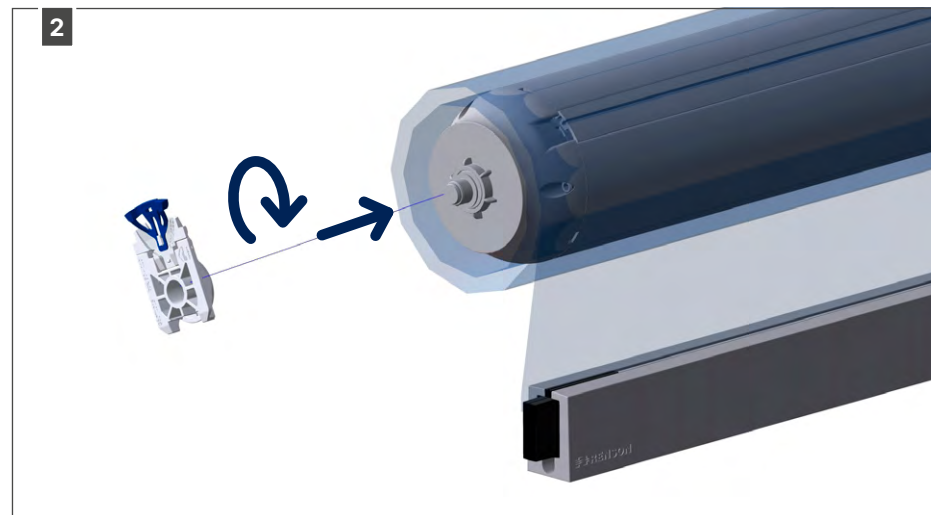
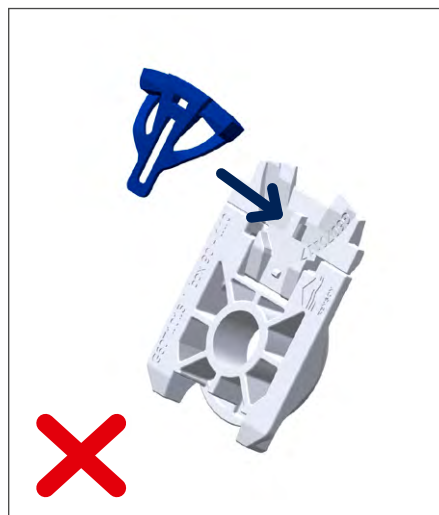


FIXSCREEN

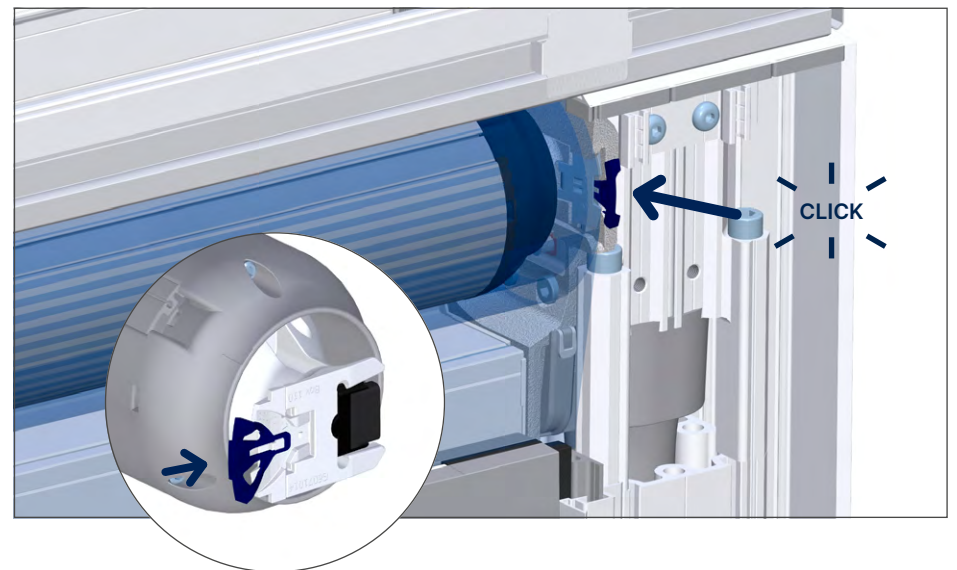
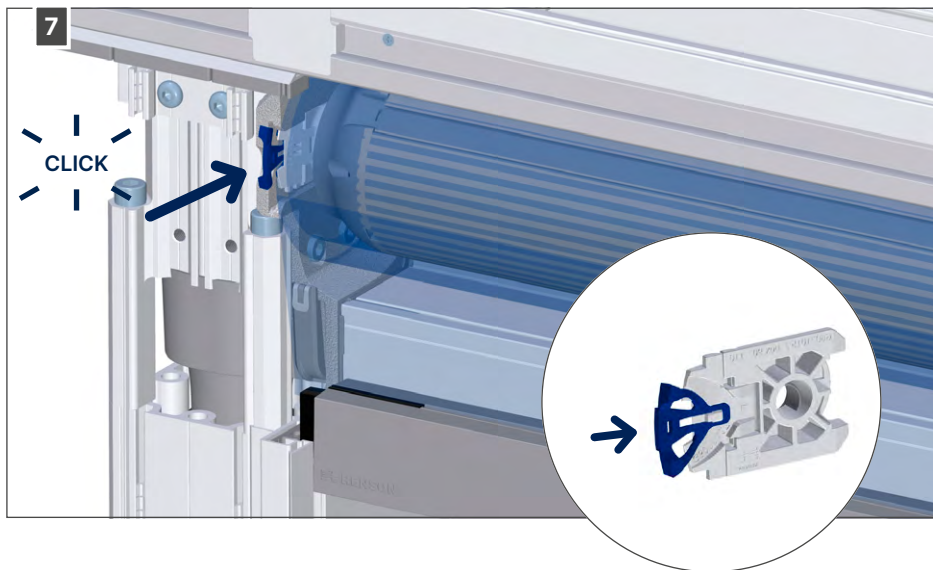
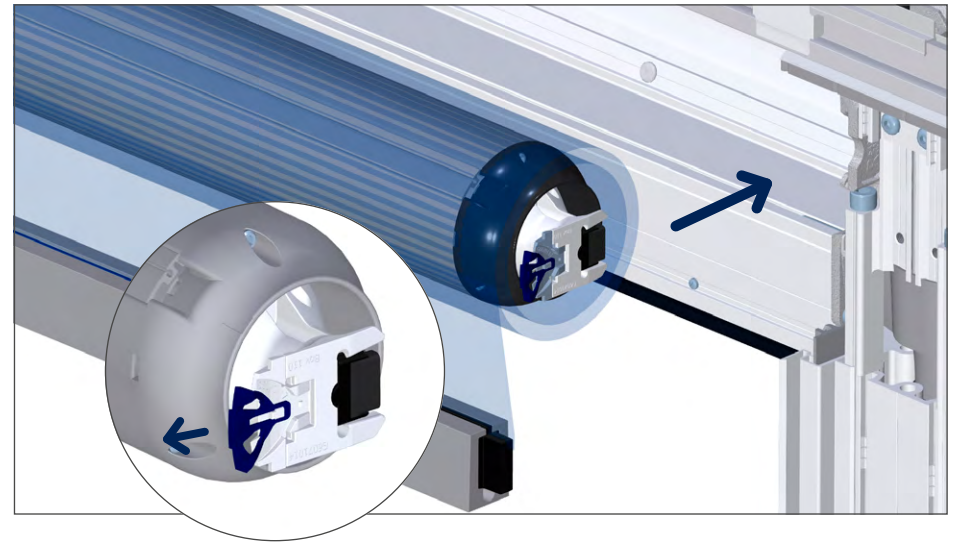


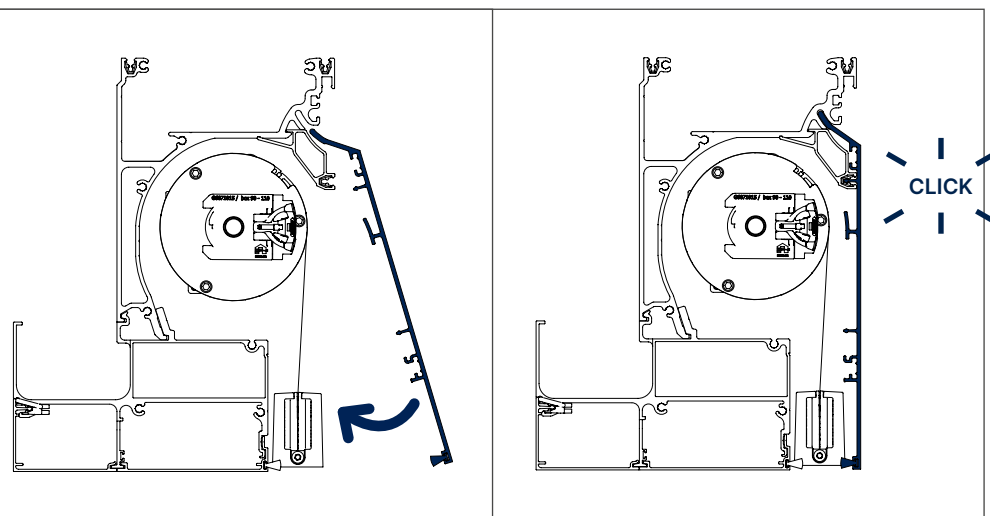
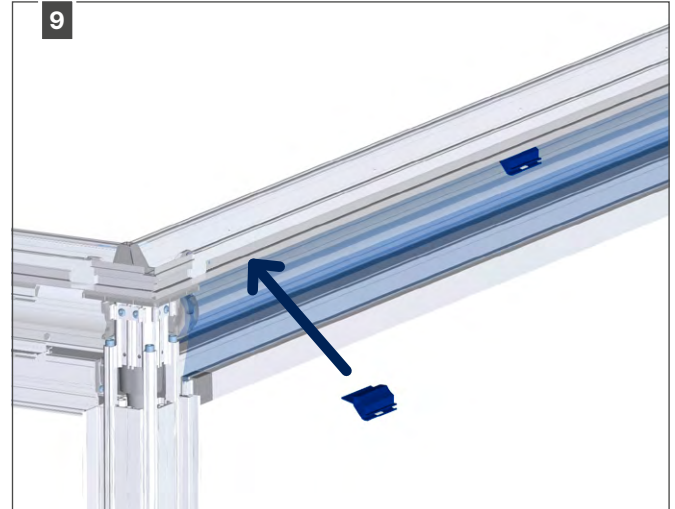
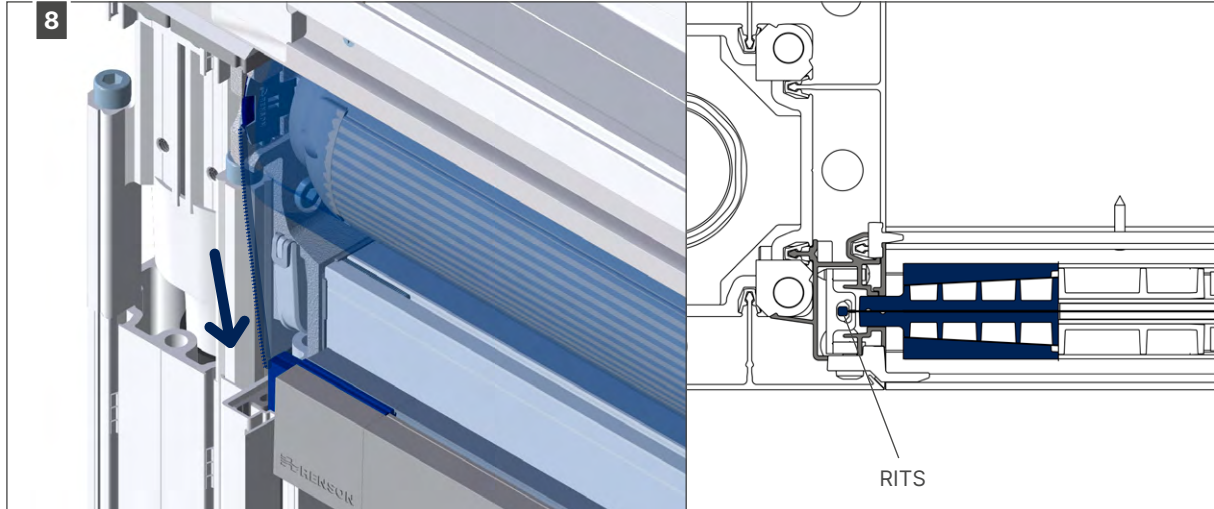
FIXSCREEN

Installation of Fixscreen

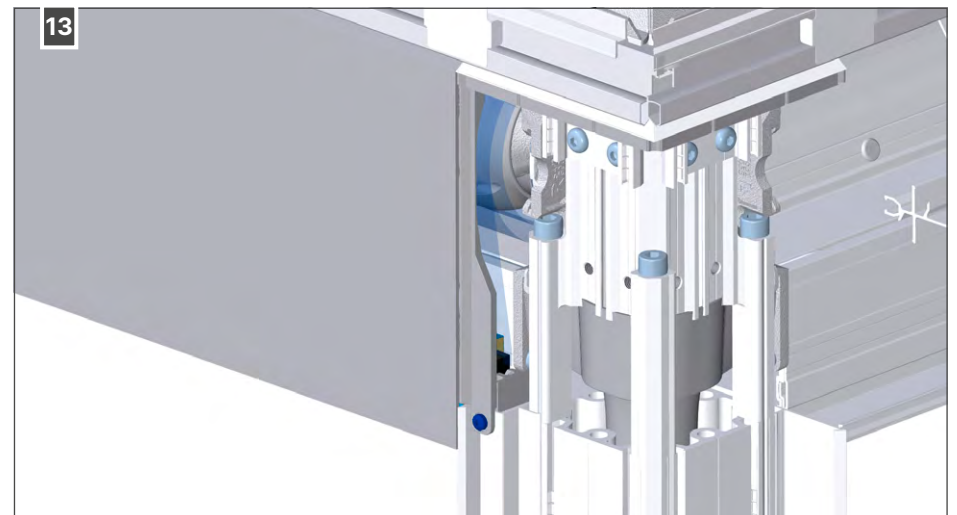
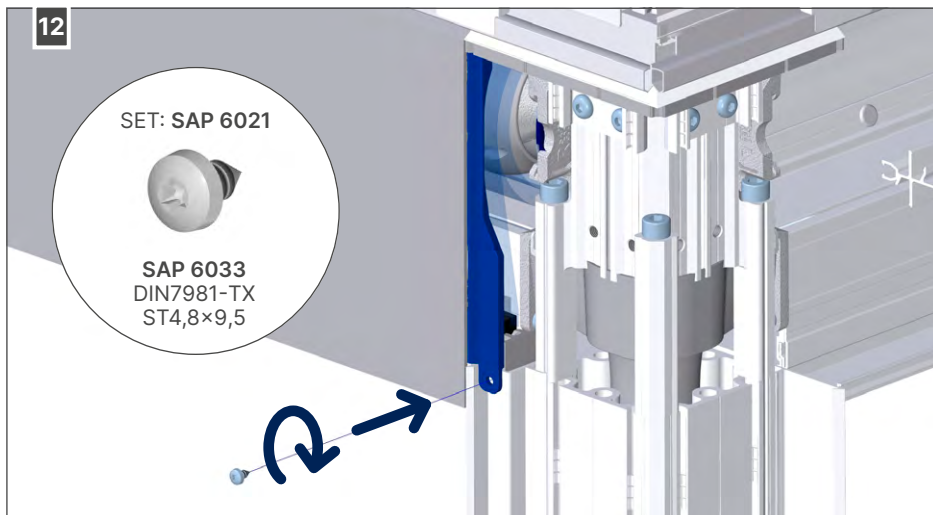
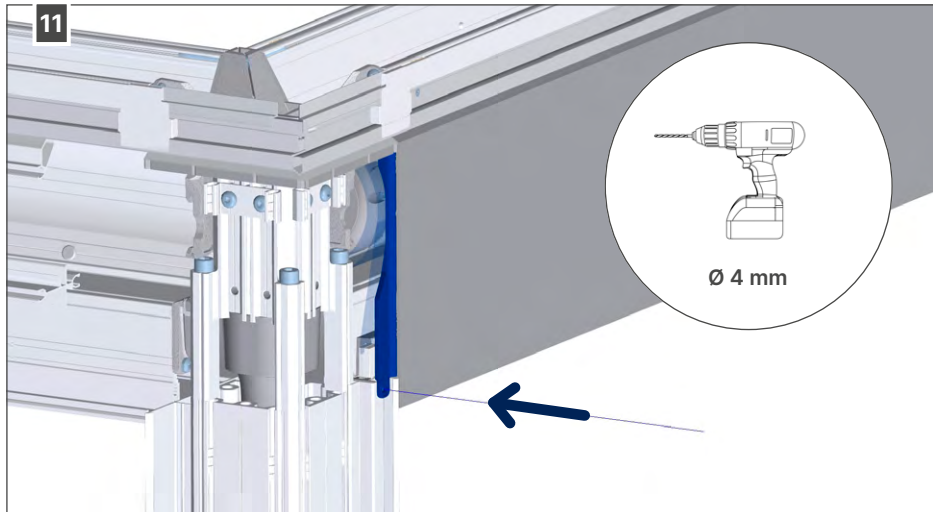


FIXSCREEN





FIXSCREEN



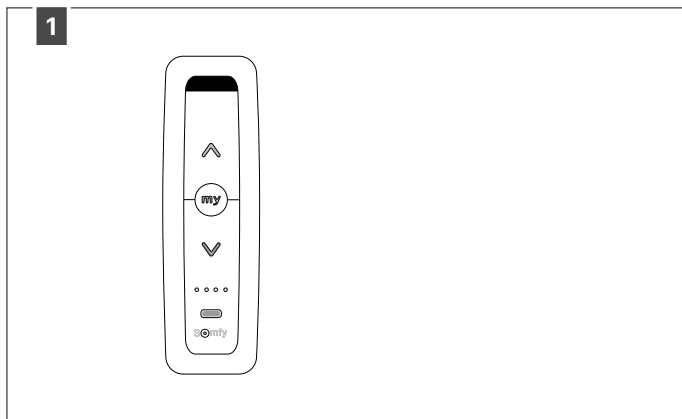
Only screws for Fixscreen!

FIXSCREEN

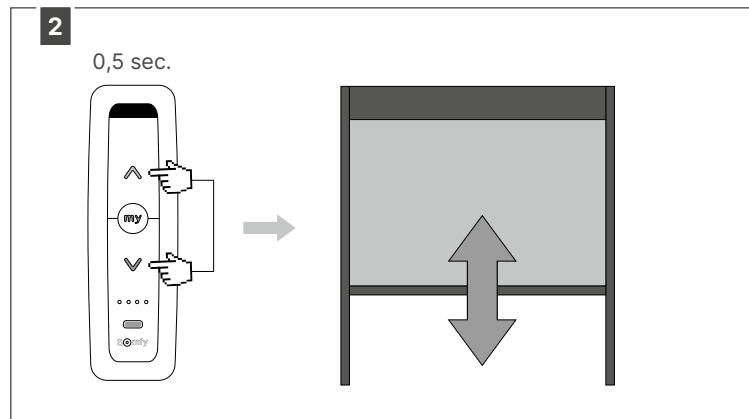
6.2 • Setting Fixscreen end points

Note:

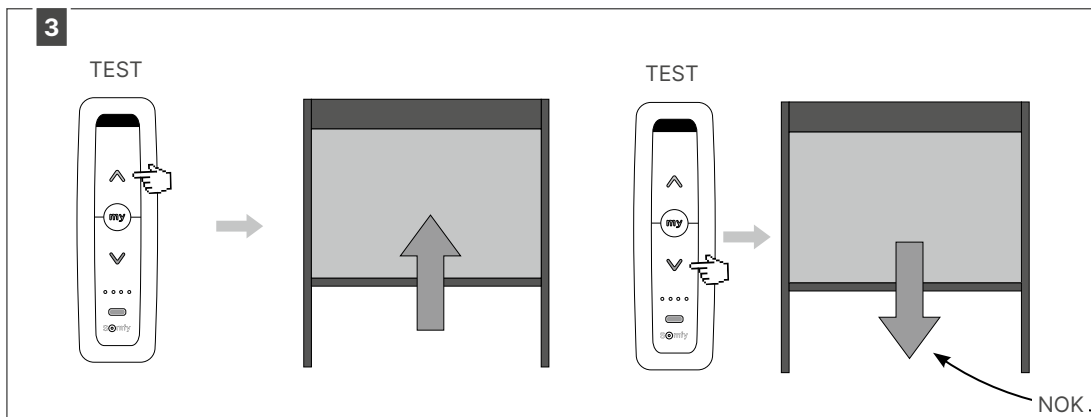
- Check whether the device is connected to a 230V power supply.
- If there are multiple Fixscreen, these must never be powered together.



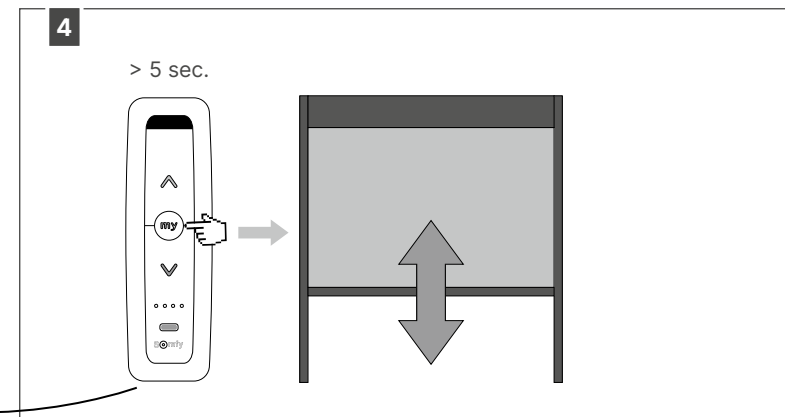
Select the desired channel on the situo io hand-held remote.



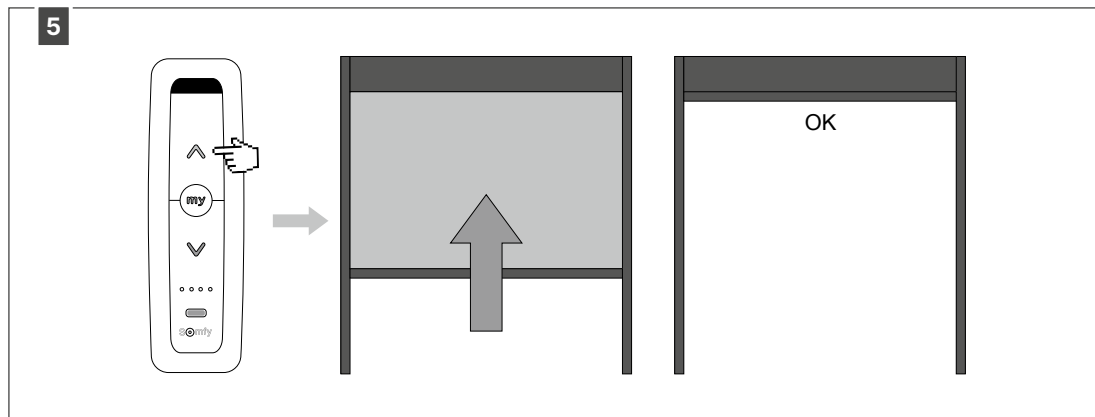
Press the remote's UP and DOWN button simultaneously (briefly). The Fixscreen makes short movement upwards and downwards.



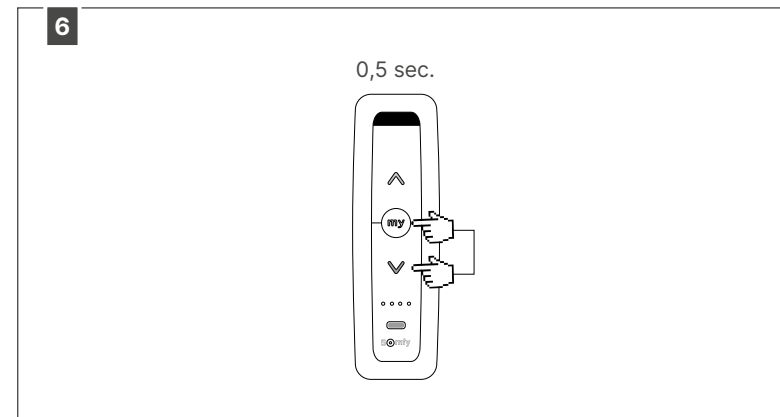
Check if, when pressing the UP button on the remote, the Fixscreen makes an upward movement. And check that, when pressing the DOWN button on the remote, the Fixscreen makes a downward movement. If so, you can proceed to step 5.



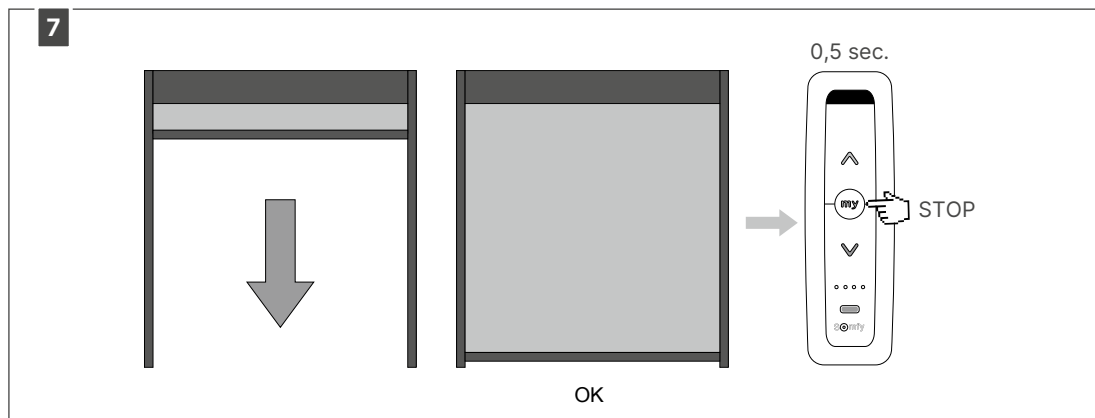
If the result of your check in step 3 is not correct, press for more than 5 seconds on the MY button on the remote until the Fix screen makes a short up- and downward movement. Check that step 3 is now giving correct results.



Press the UP button on the remote until you have reached the desired upper end point.

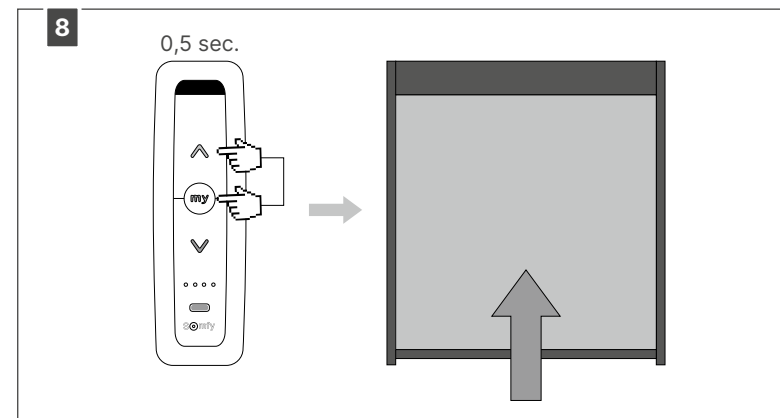


Press the MY and the DOWN buttons on the remote simultaneously (briefly) to confirm this upper end point.

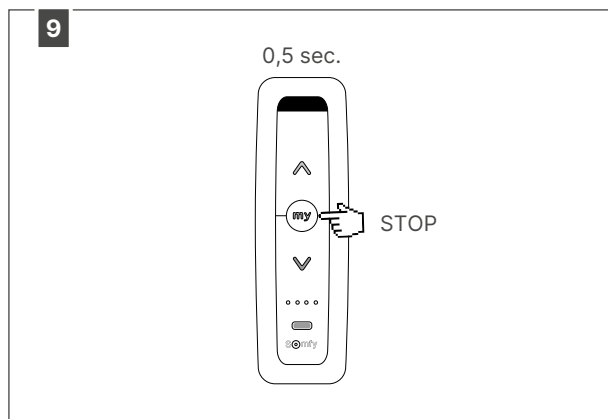


The Fixscreen goes automatically down Press (shortly) on the MY button of the remote as soon as you have reached the desired bottom lower end point.

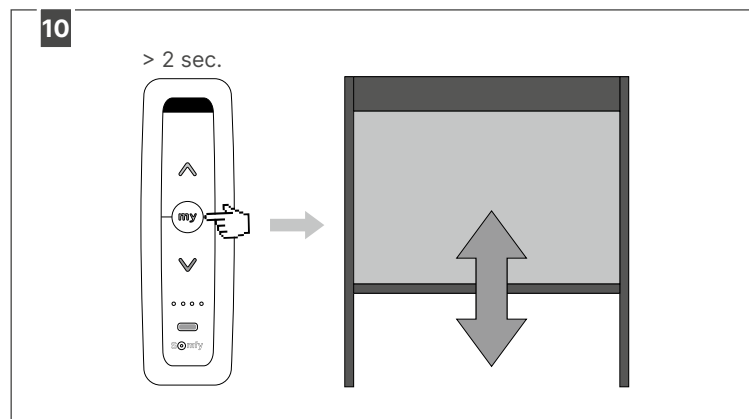
Note: You can still make some adjustments by pressing the UP or DOWN button.



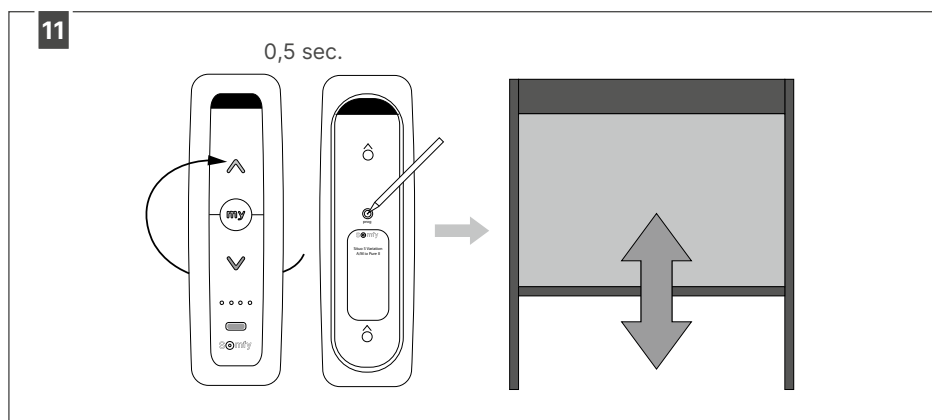
Press (shortly) the MY and the UP buttons on the remote simultaneously (shortly) to confirm this bottom end point. The Fixscreen goes automatically back up.



Press briefly on the MY button to stop the Fixscreen movement at any point.

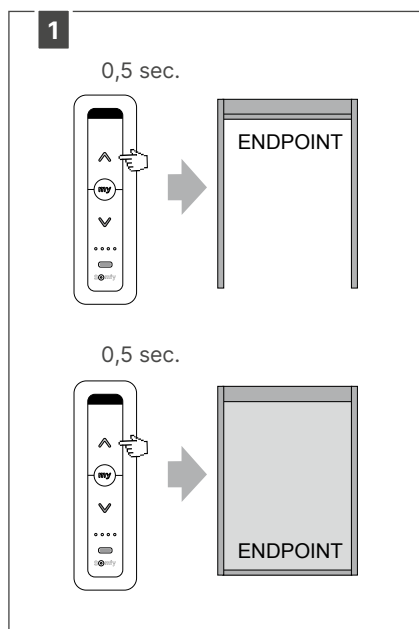


Press for more than 2 sec. on the MY button until the Fixscreen makes a short up- and downward movement.

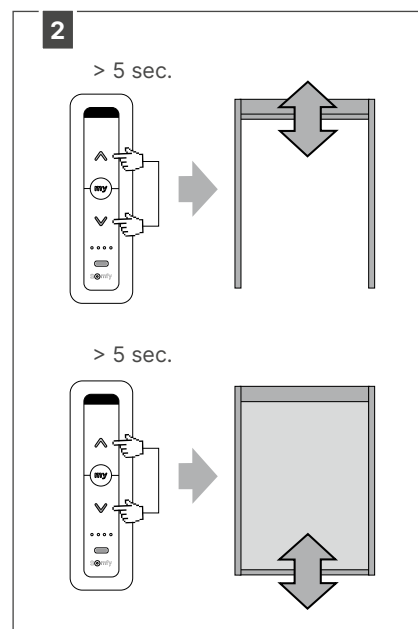


Press briefly on the PROG button on the rear of the Situo 1 io remote. The Fixscreen makes short an up- and downward movement. By doing this all settings are stored. Then check the end points again.

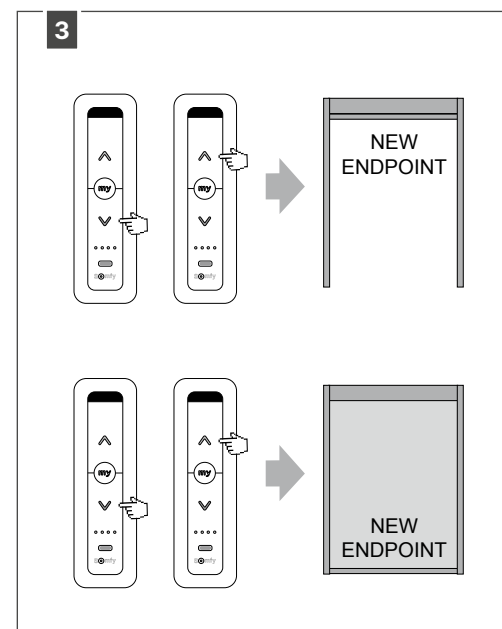
6.3 • Moving the Fixscreen endpoints



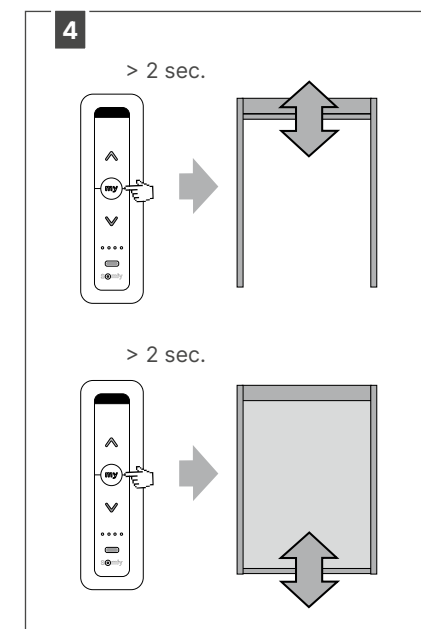
Go to the endpoint (upper or lower) which you want to move



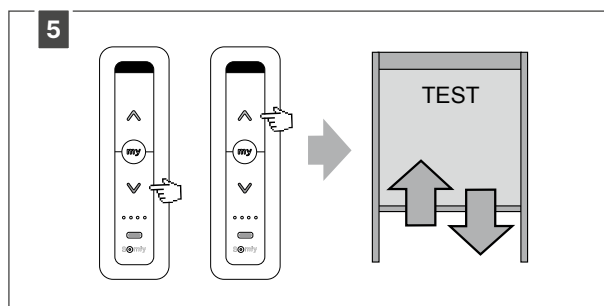
Press more than 5 sec. on the UP- and DOWN-button till the Fixscreen makes a short movement.



Choose the new (upper or lower) endpoint by pressing the UP- and/or DOWN- button.

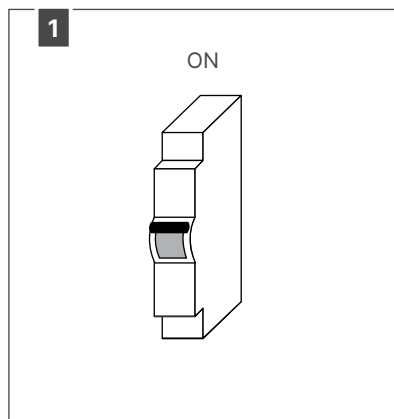


Press more than 2 sec. on the MY-button till the Fixscreen makes a short movement.

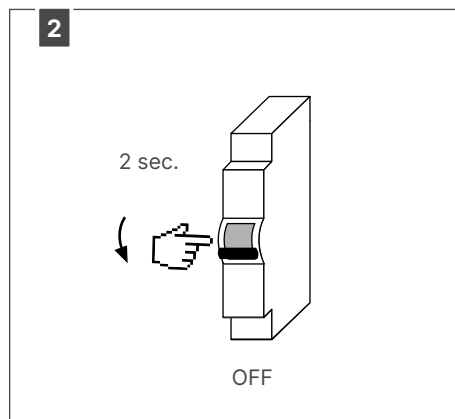


Test the new endpoint.

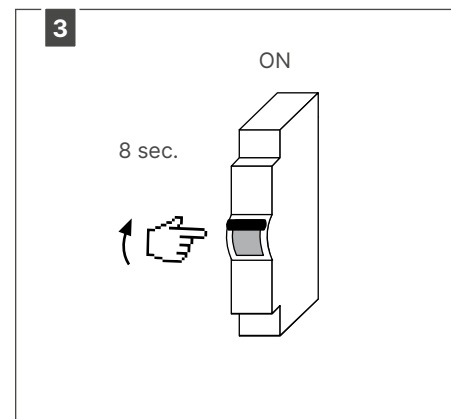
6.4 • Returning to the Fixscreen default settings



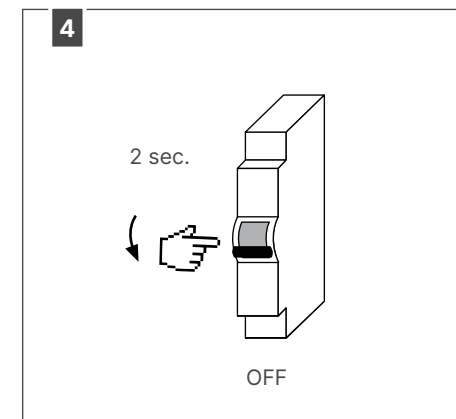
Switch on the power 230V.



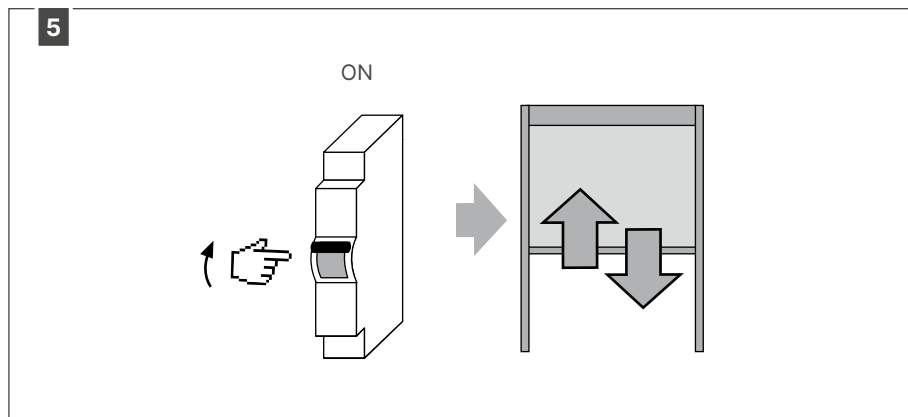
Switch off the power 230V for 2 sec.



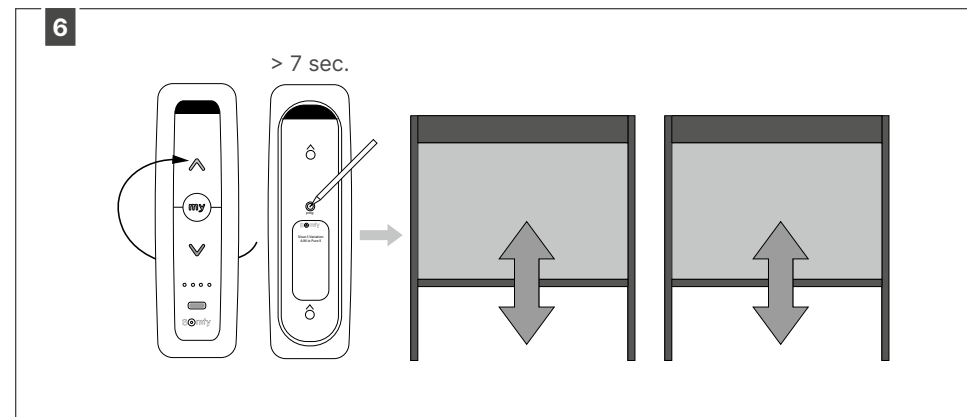
Switch on the power 230V for 8 sec.



Switch off the power 230V for 2 sec.



Switch on the power 230V. If the Fixscreen is in a position between the end points, it moves in the opposite direction from the last movement for about 3 seconds. If the Fixscreen is at an end point it makes a short up- and downward movement.

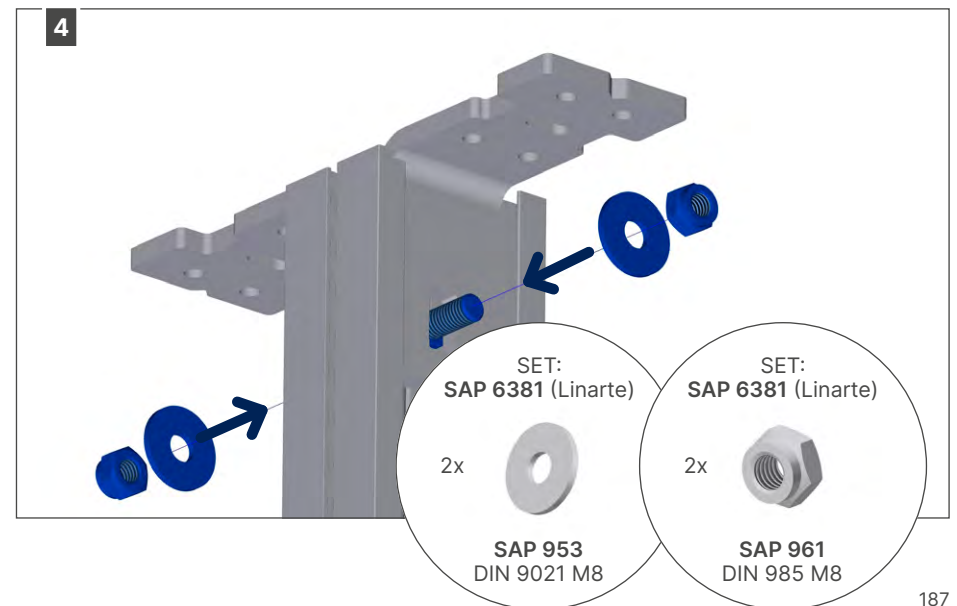
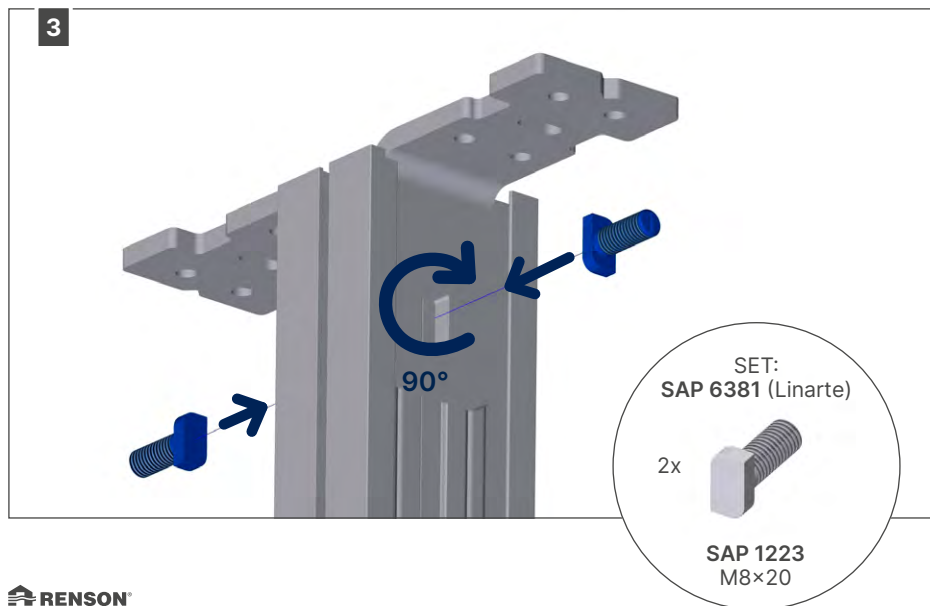
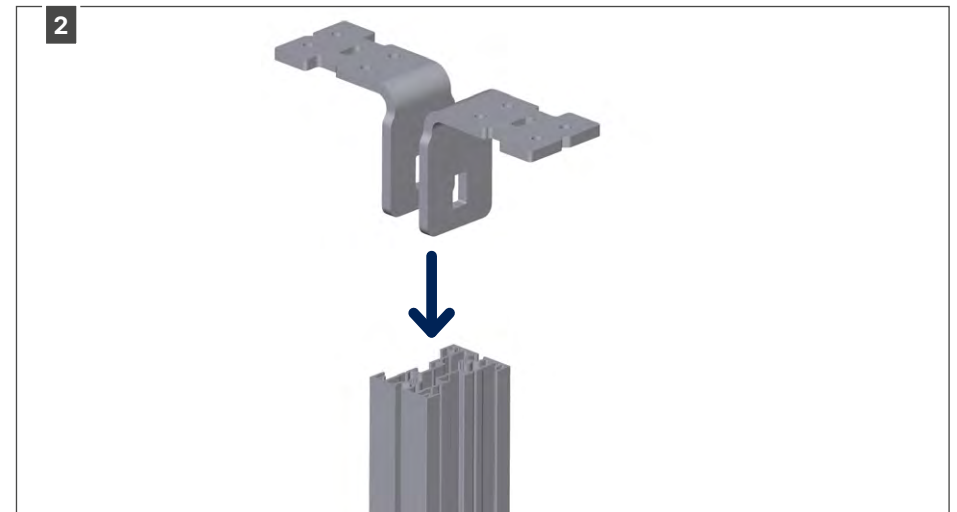
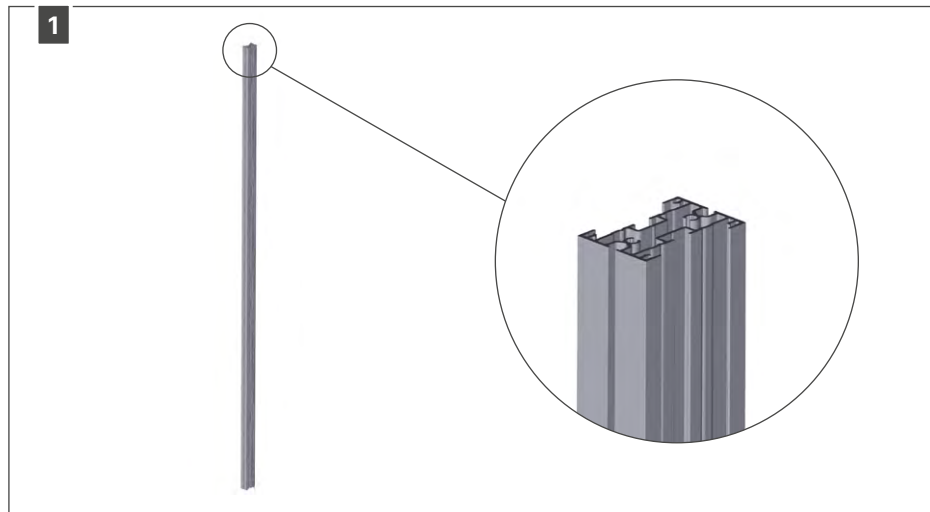


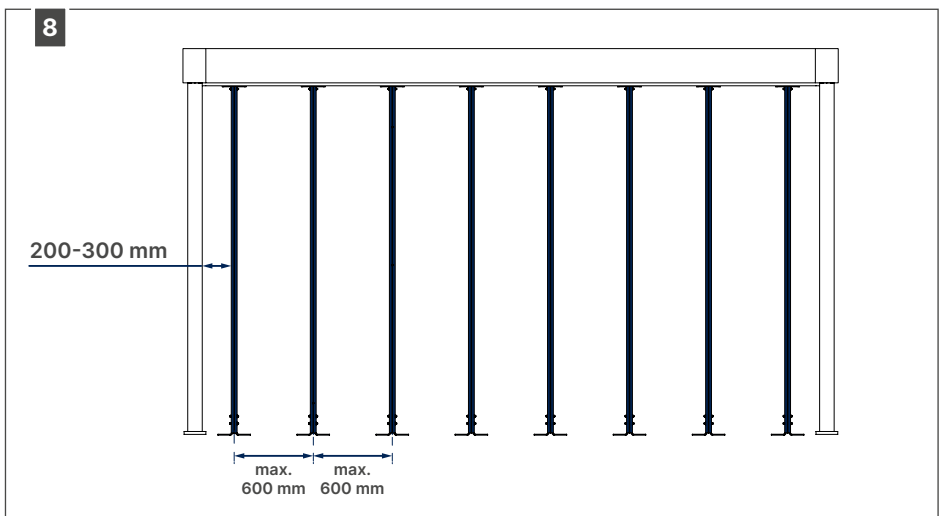
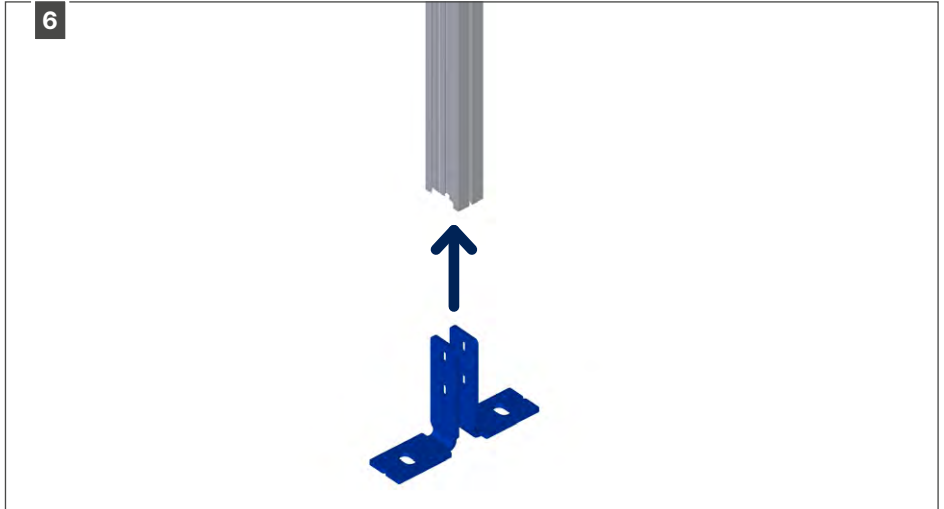
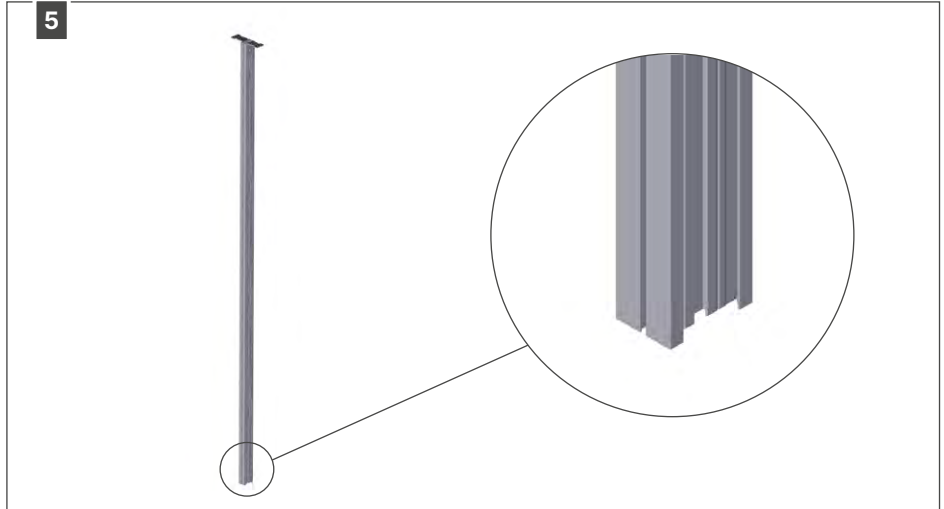
Press for more than 7 sec. on the PROG button on the rear of the Situo 1 io remote until the Fixscreen makes two short upward and downward movements.

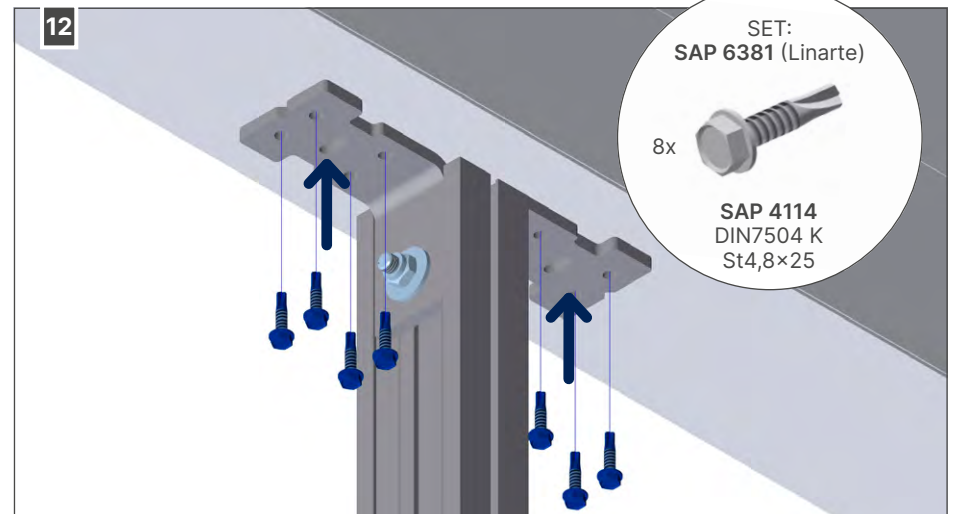
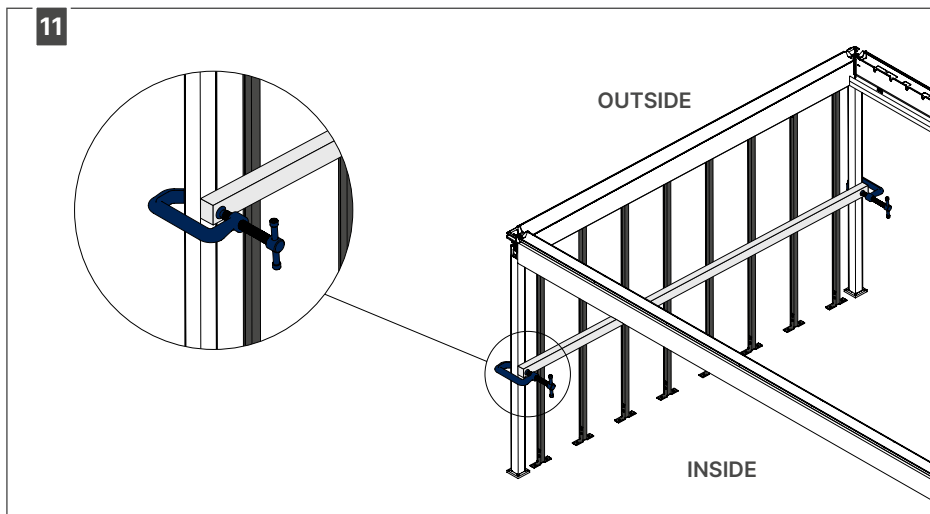
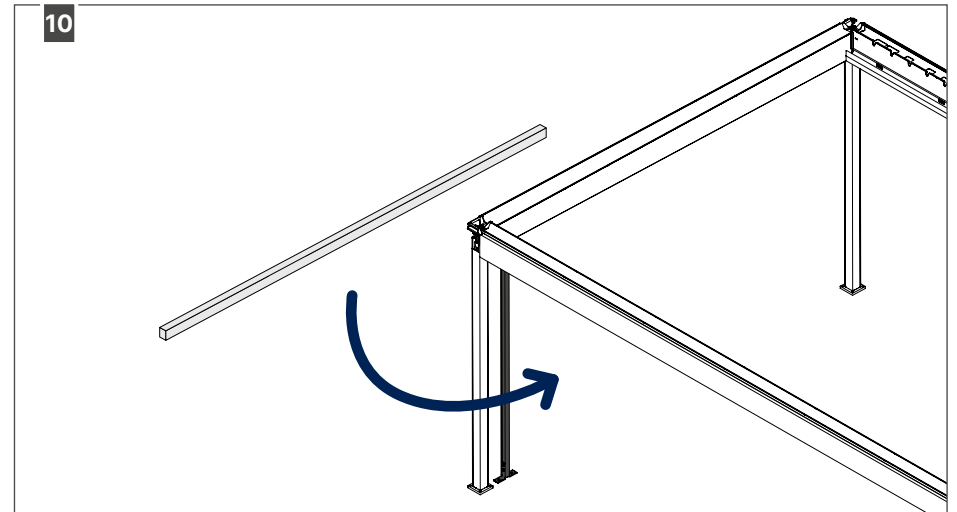
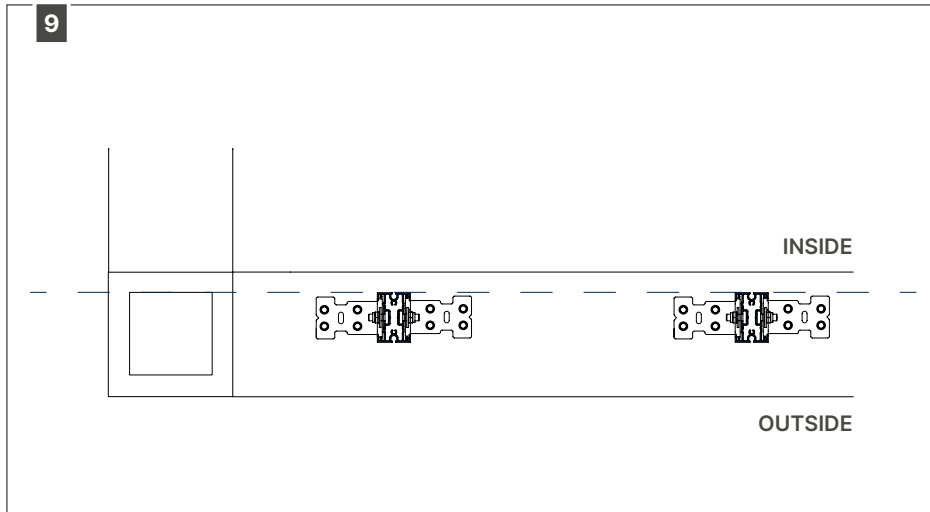
FIXSCREEN

7 • Fixed wall - Linarte

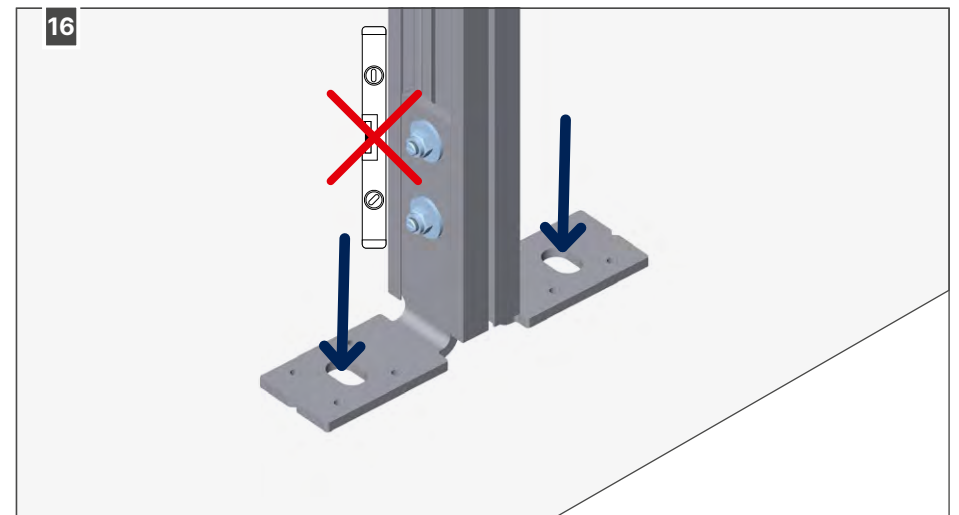
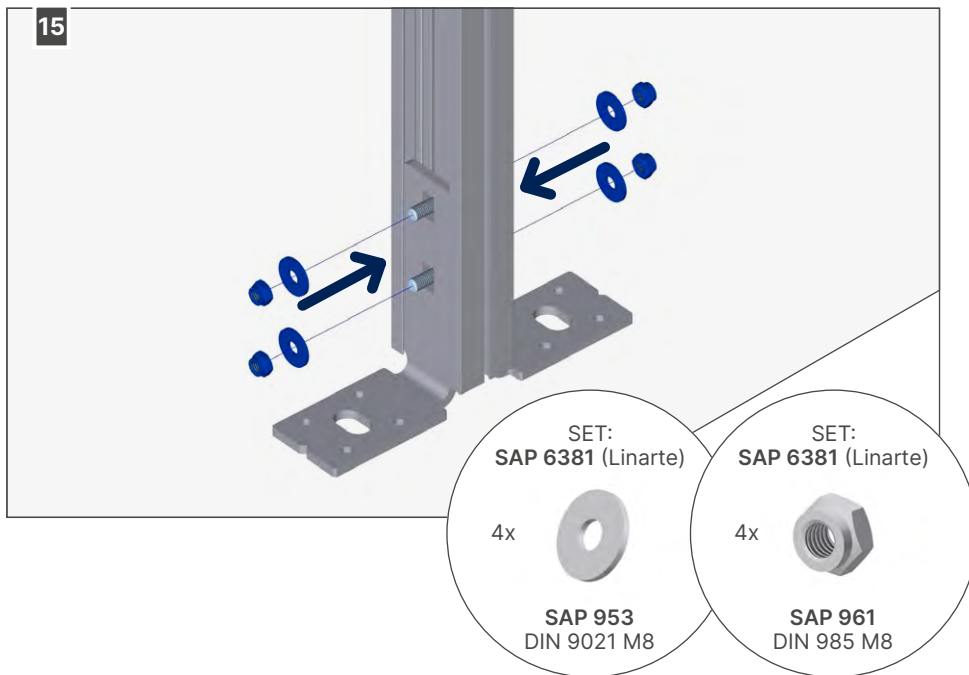
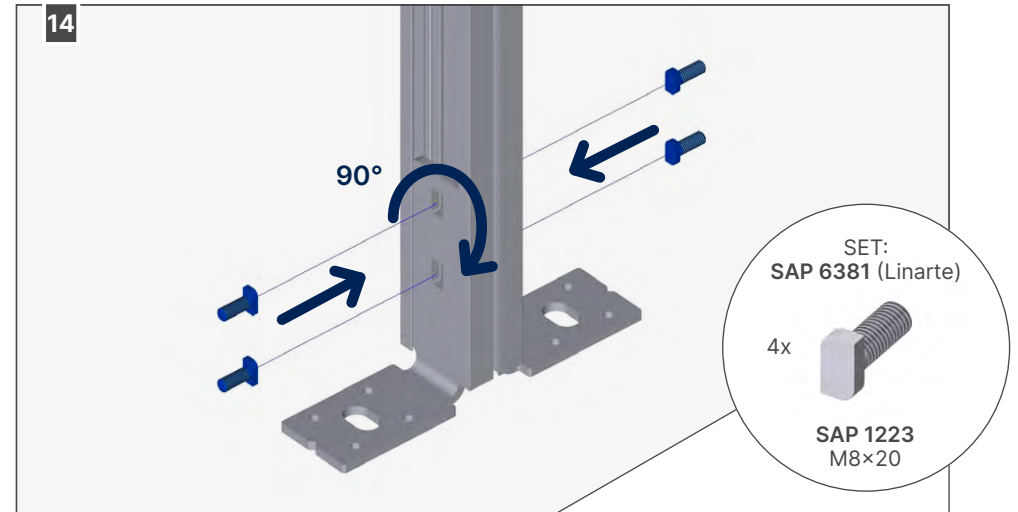
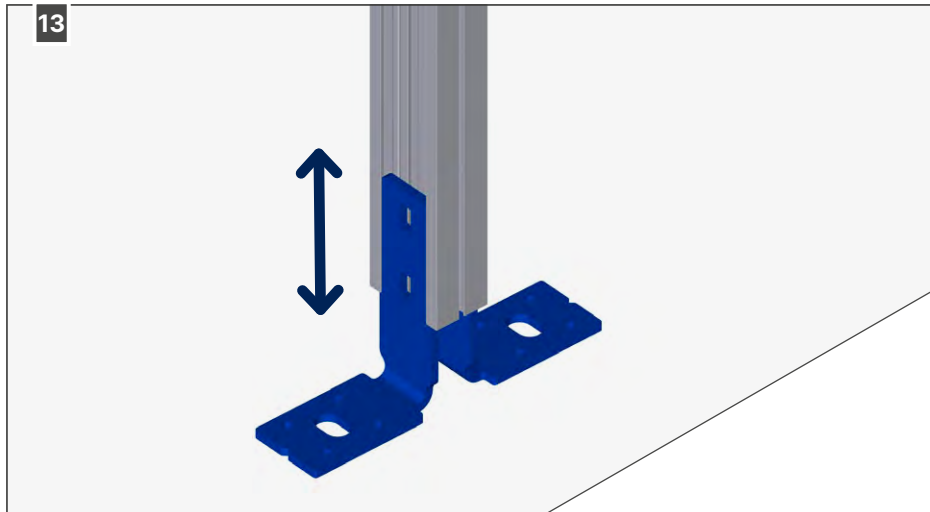
7.1 • Installing the support posts







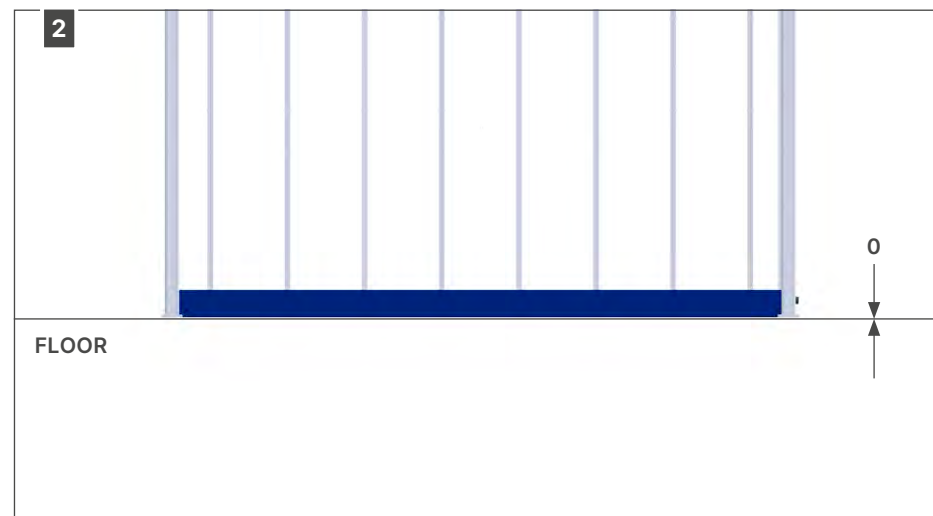
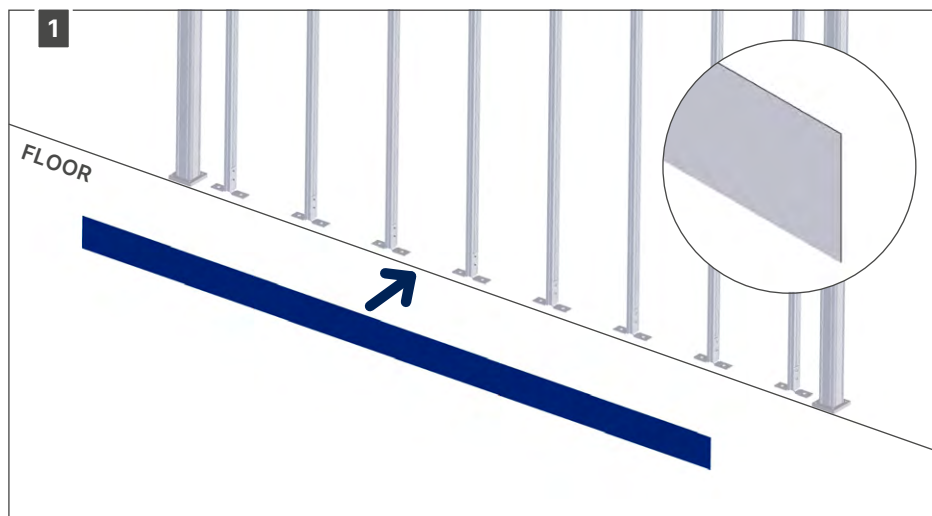
Fixing a beam against the column can help align the support posts.



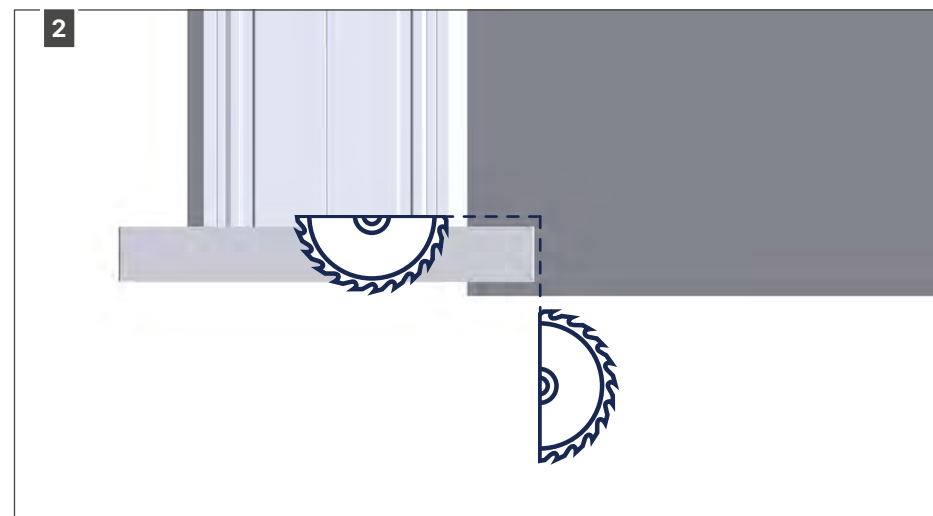
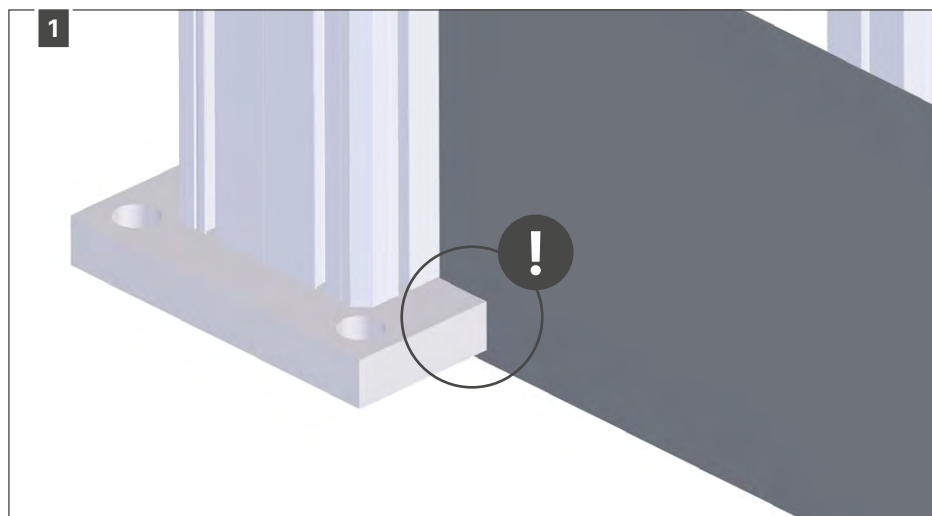
Secure the support posts. Use fasteners adapted to the relevant surface (to be provided by the installer).

FIXED WALL LINARTE

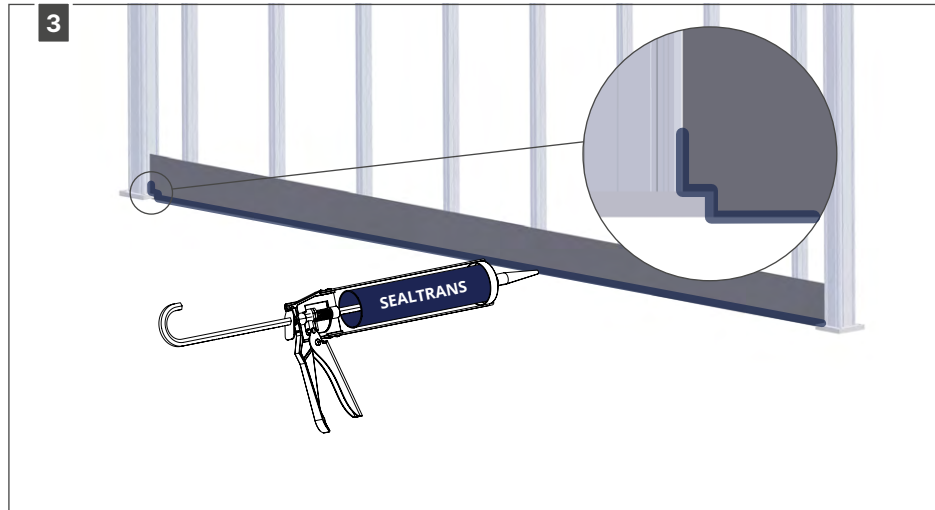
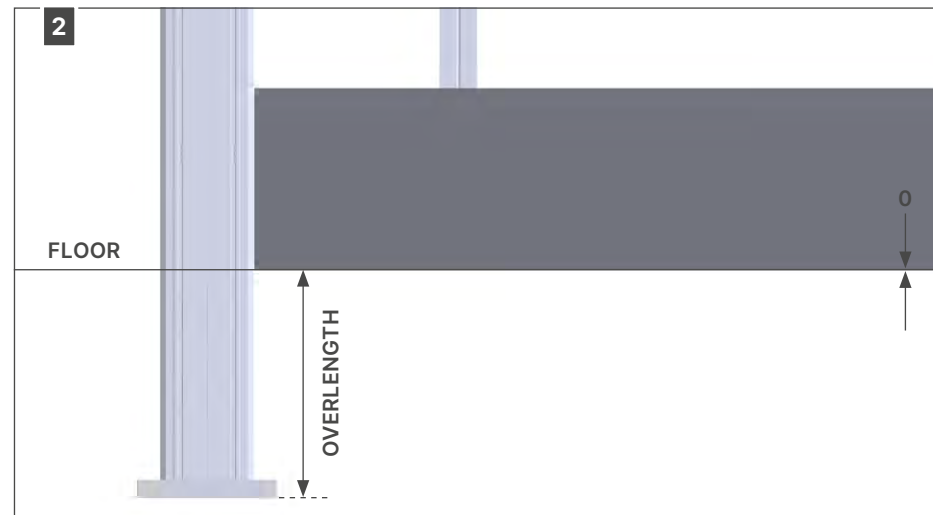
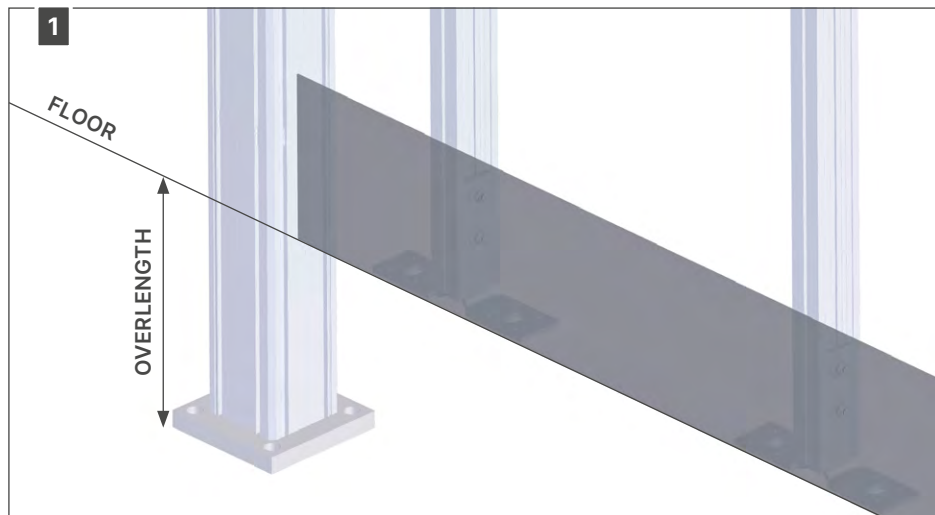
7.2 • Installation of the skirting profile



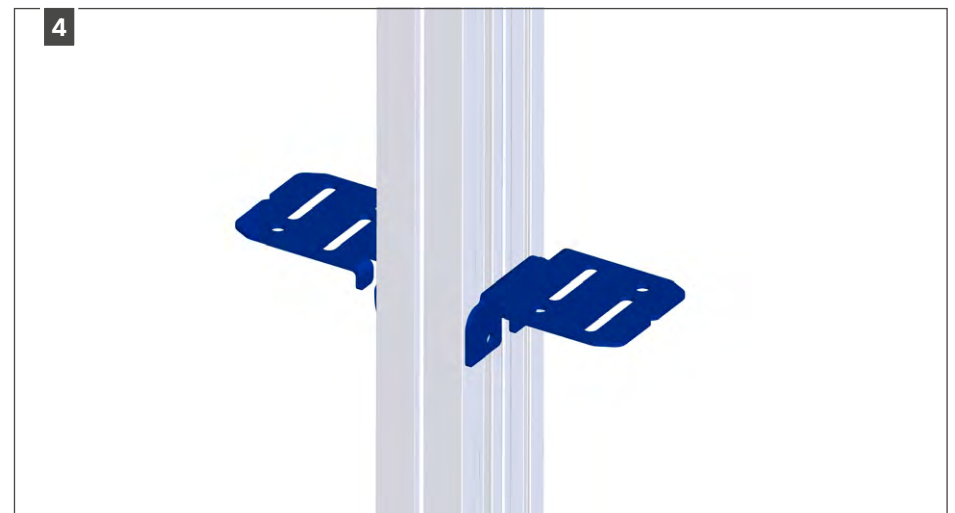
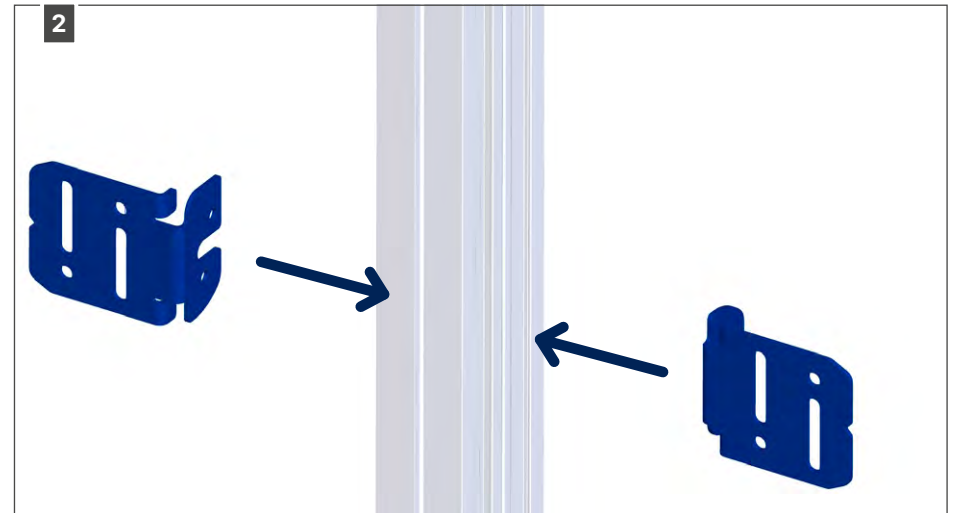
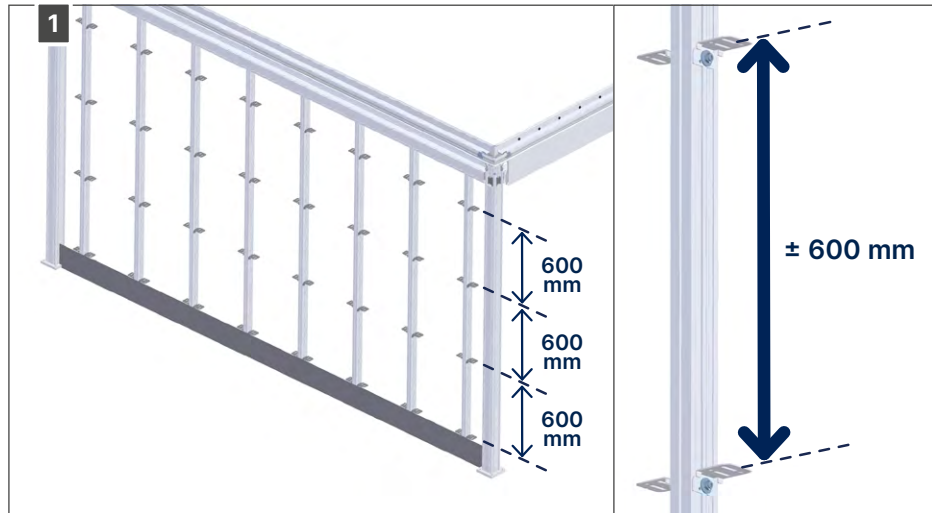
Option 1: for a column without overlength

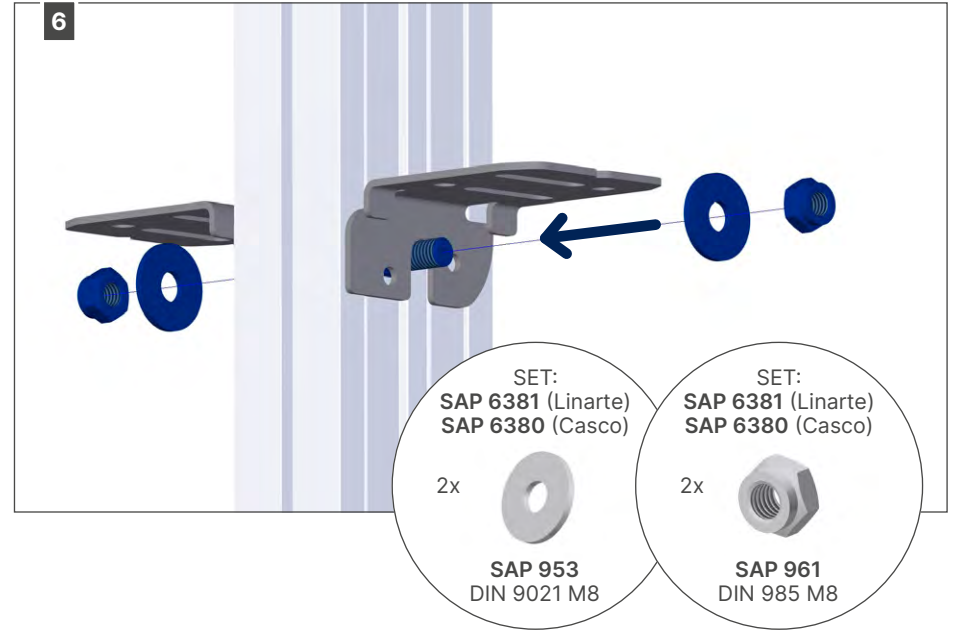
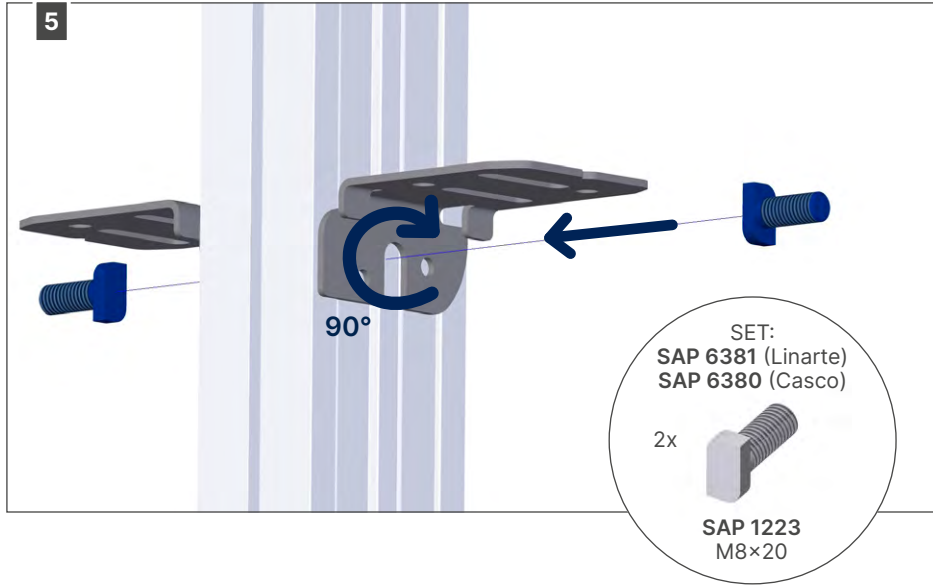


Option 2: for a column with overlength

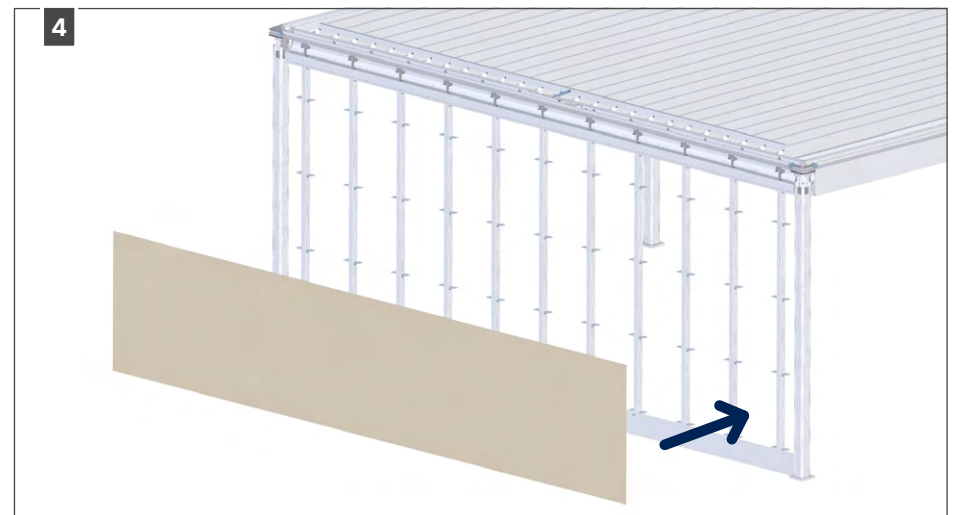
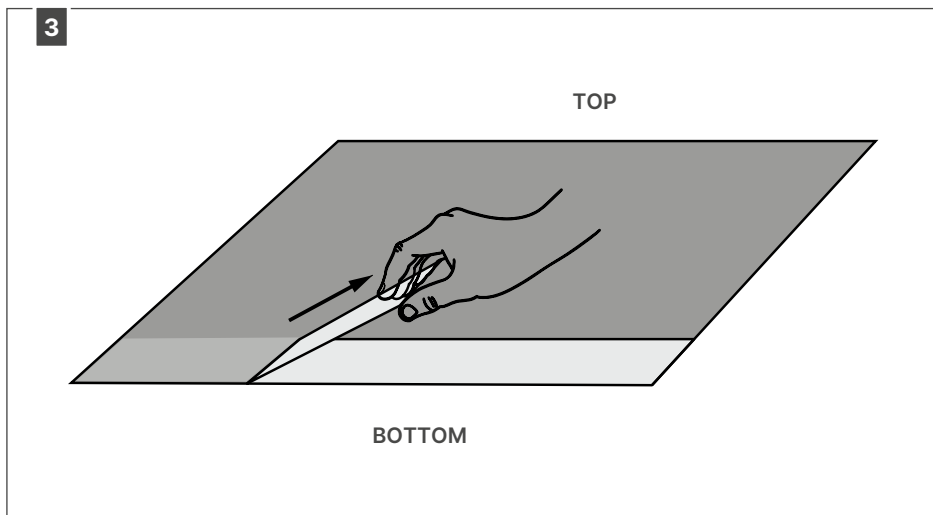
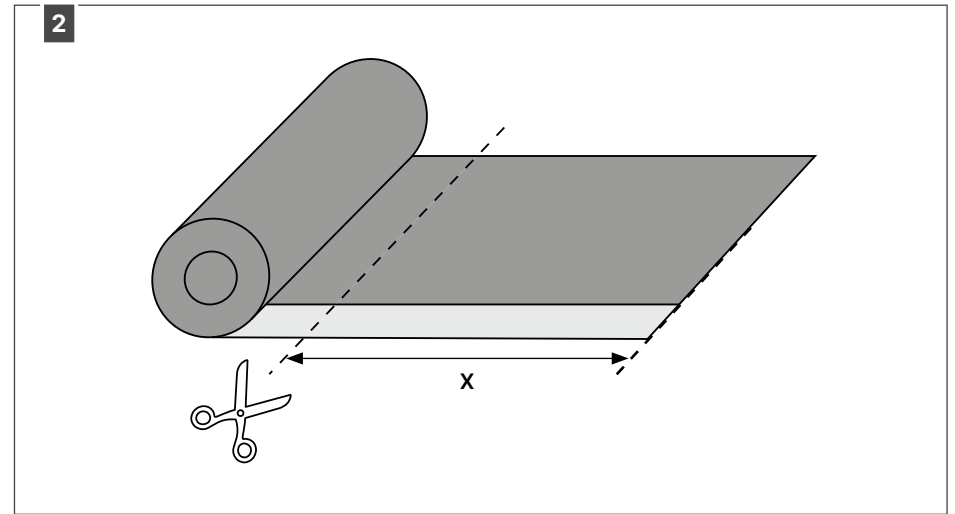
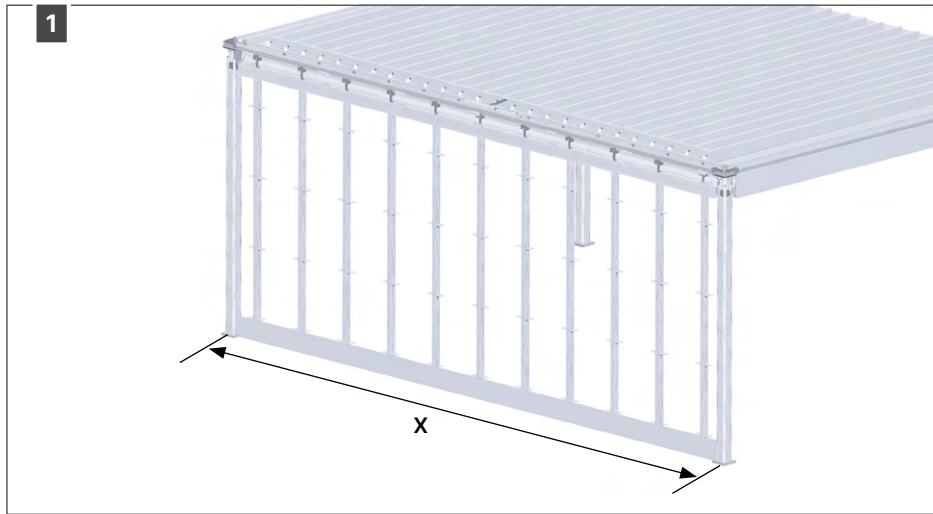


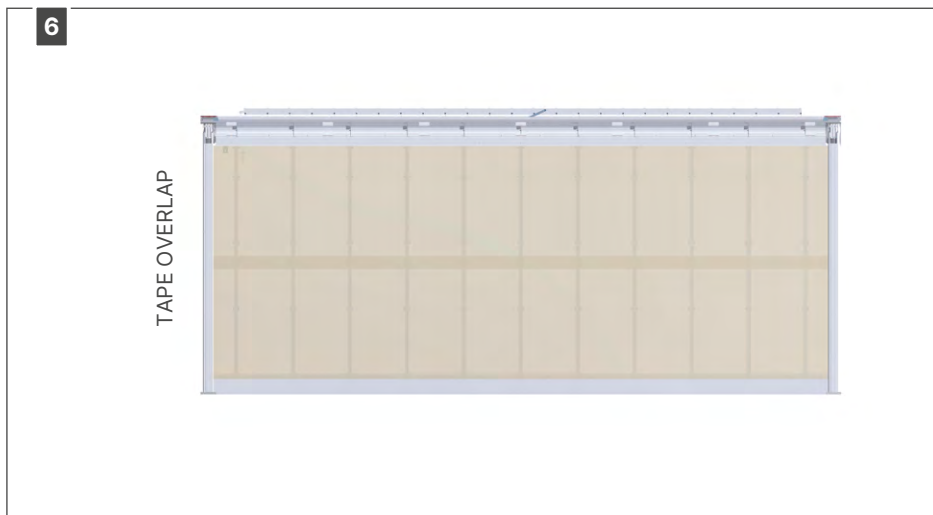
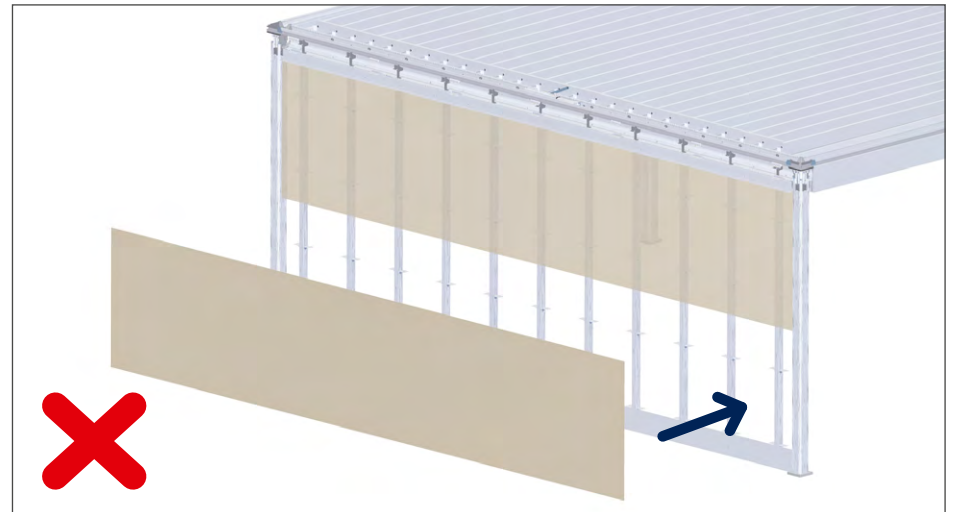
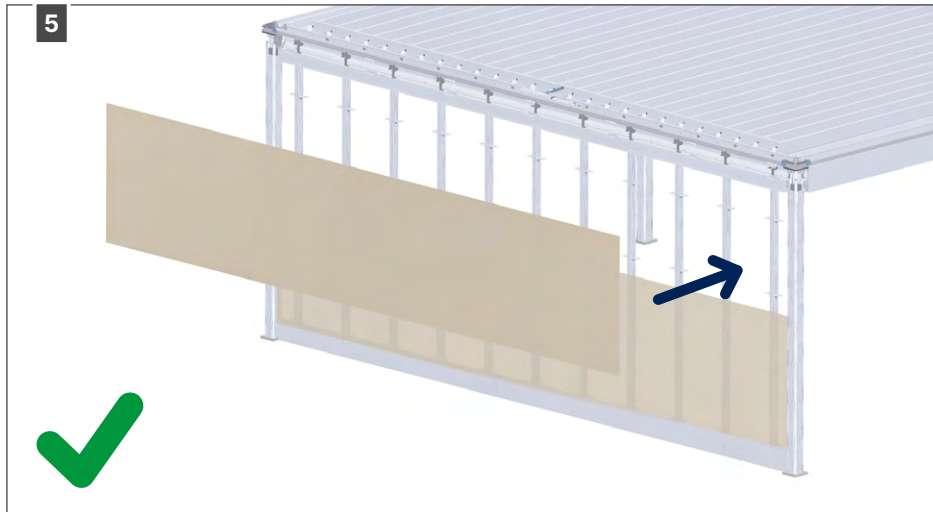
7.3 • Installation of Casco brackets





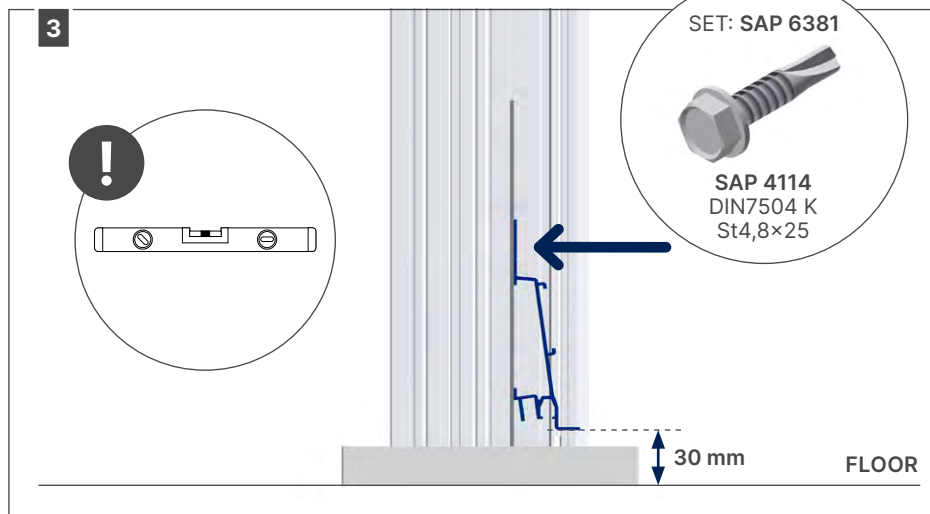
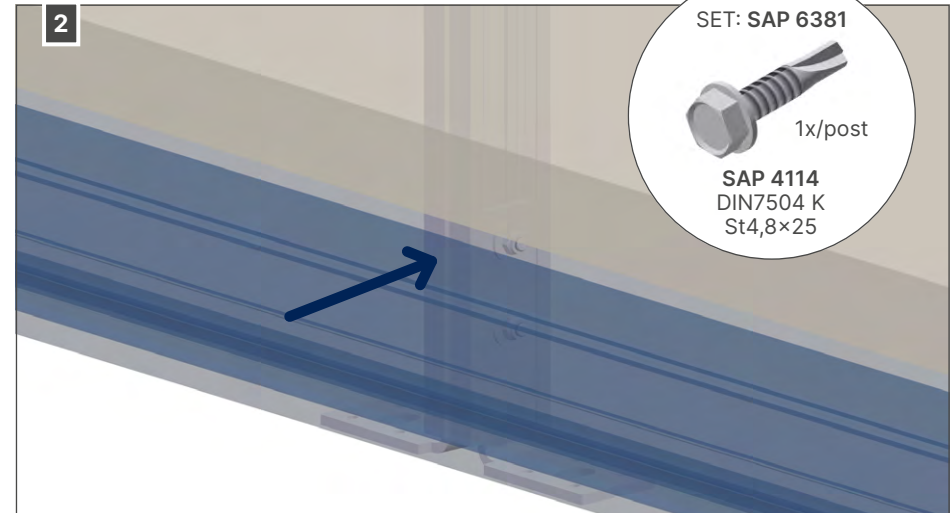
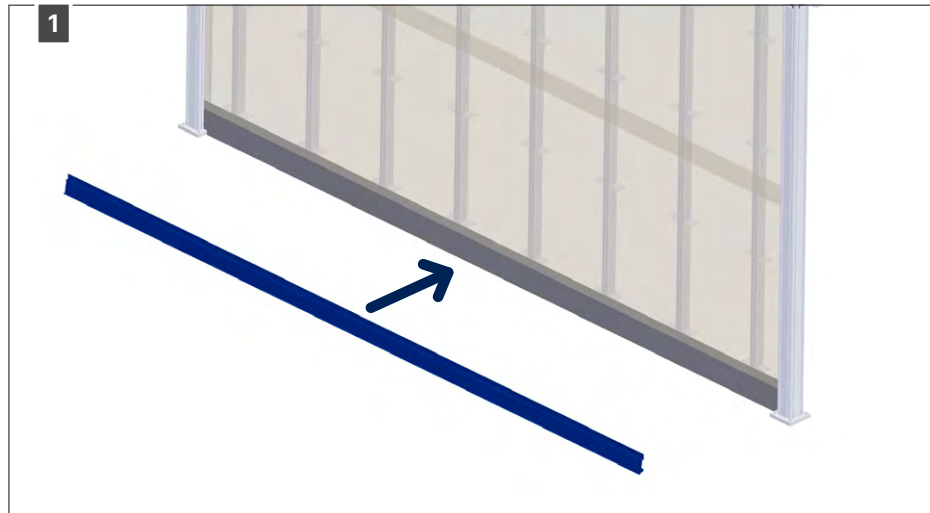
7.4 • Installation of the vapor barrier





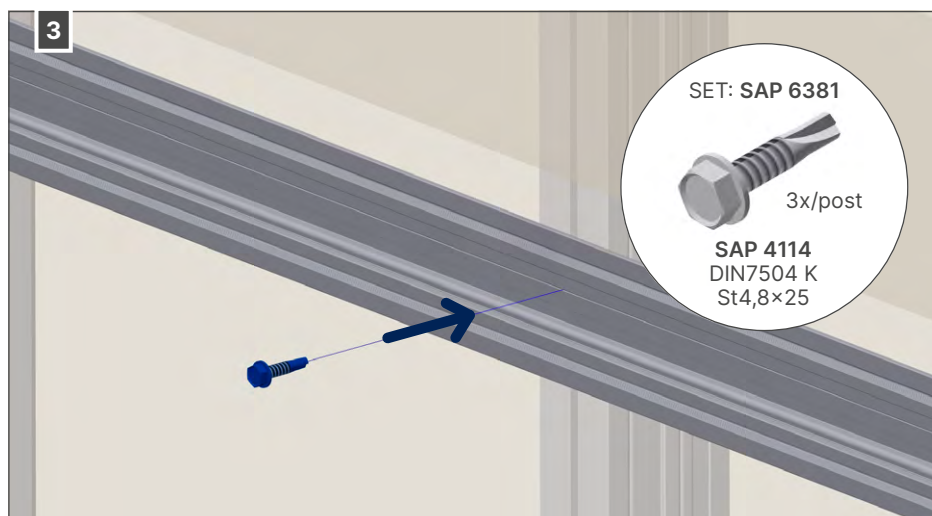
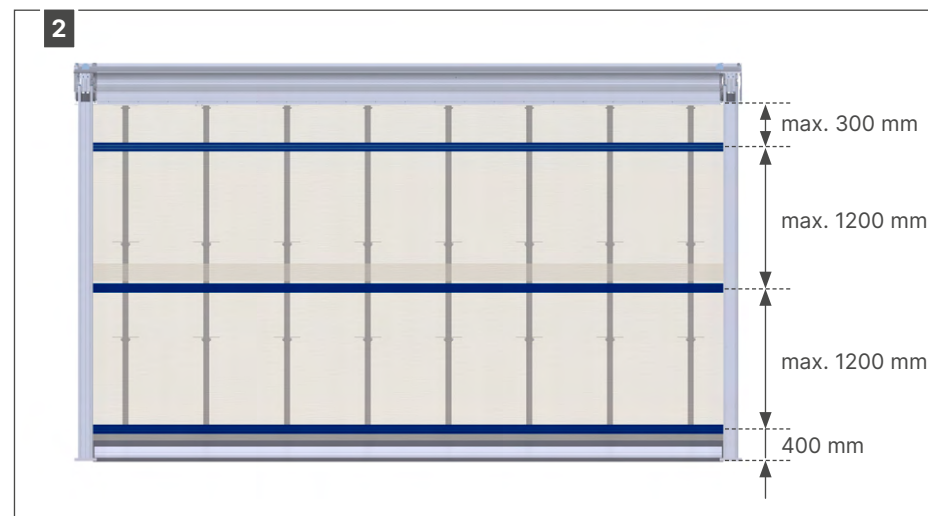
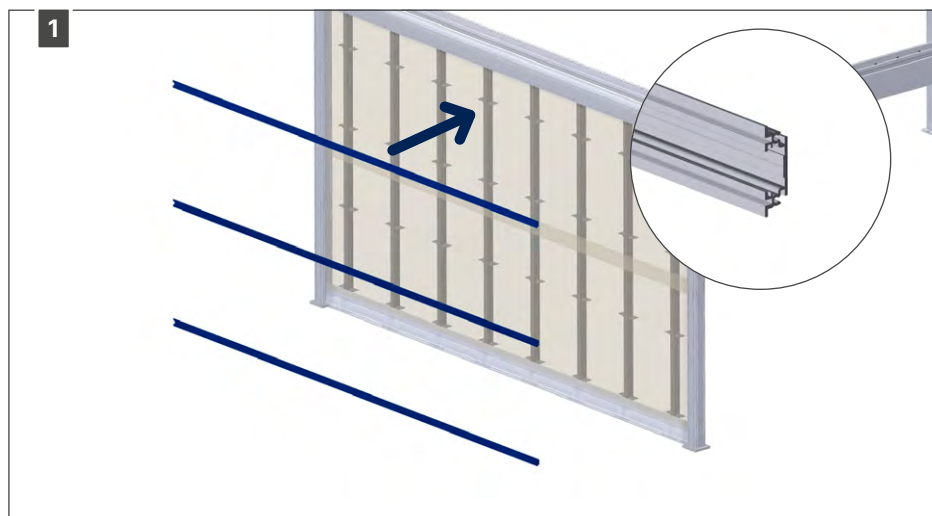
Let the vapor barrier overlap

7.5 • Installation of the Linarte support profile

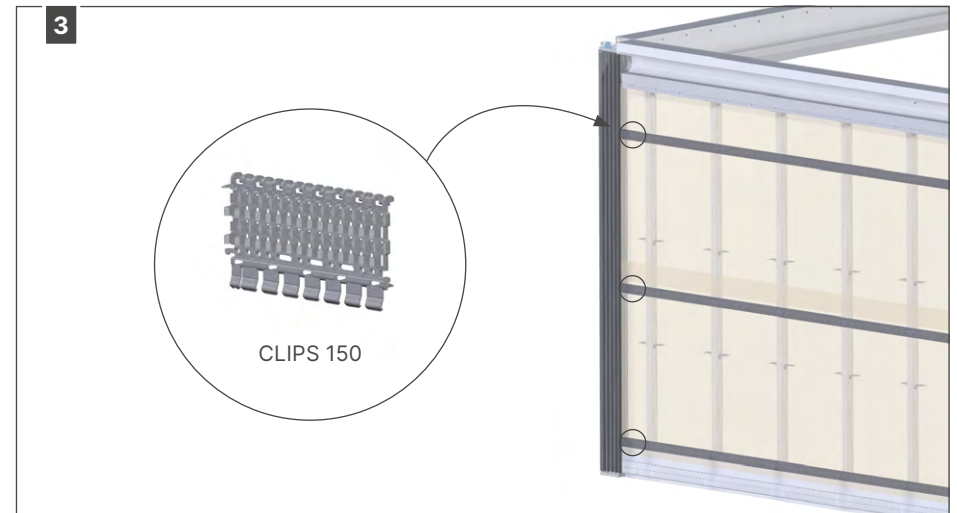
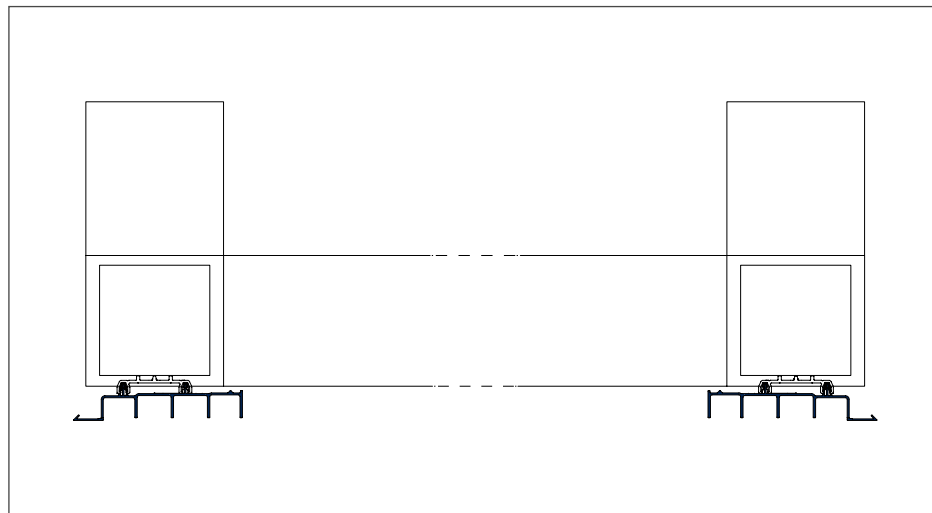
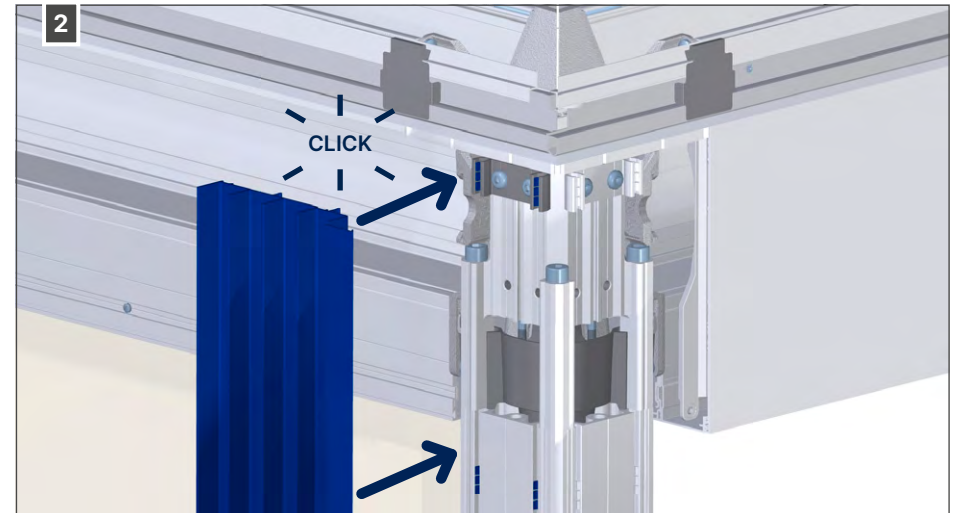
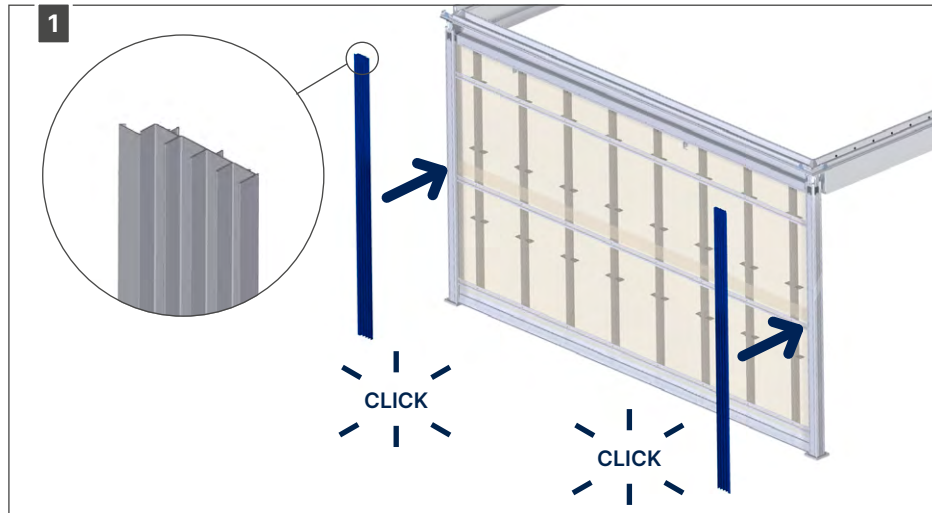


The support profile must be level. If the slope is slanted, the support profile must hang at least 30 mm from the floor.

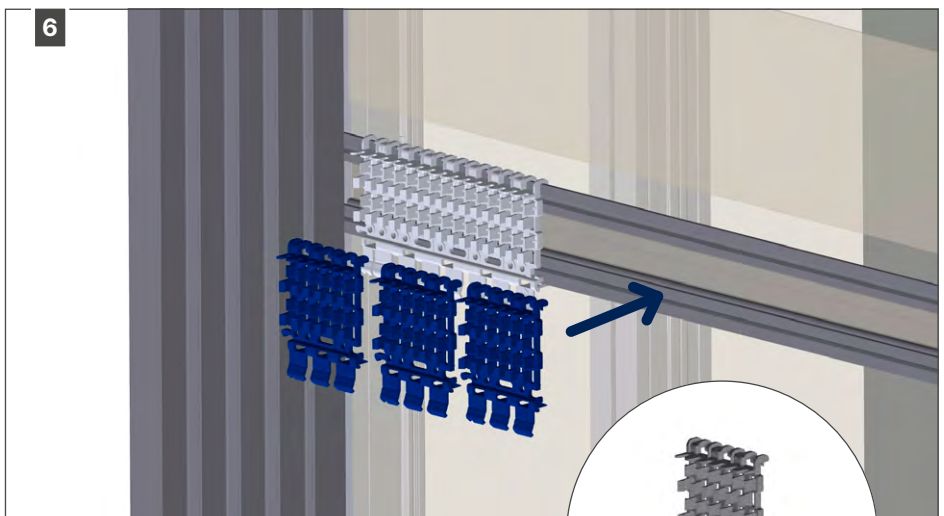
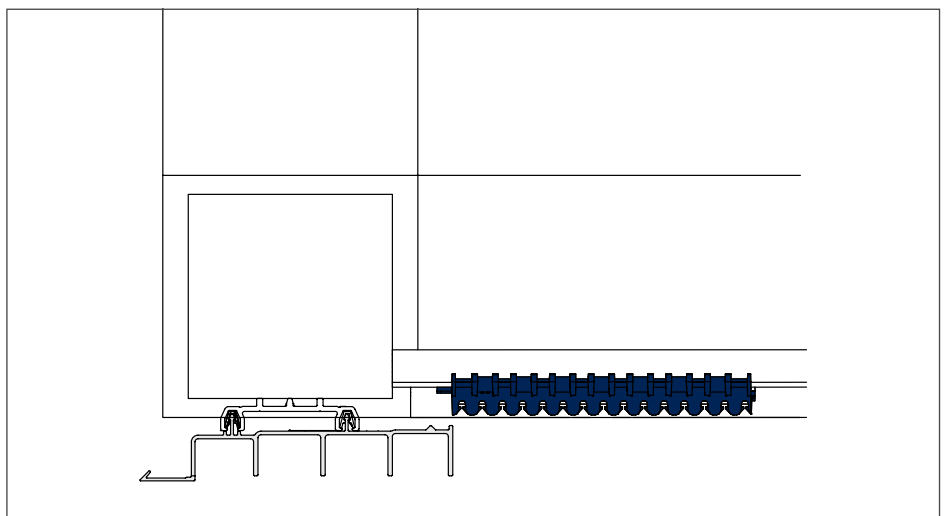
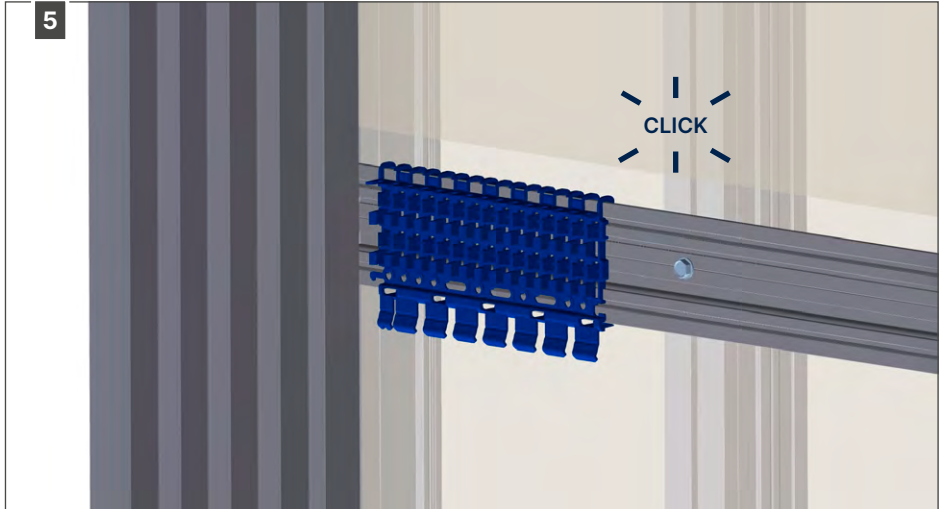
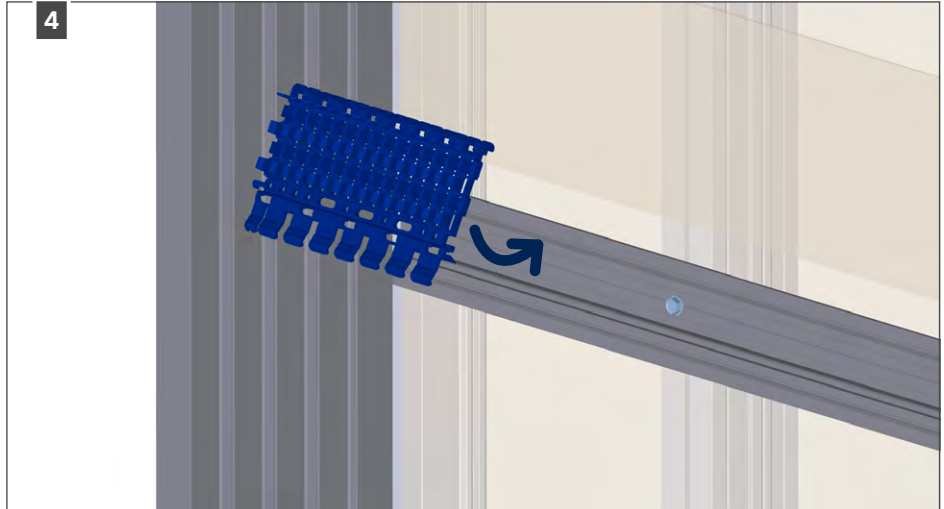
7.6 • Installation of the Linarte supporting profiles



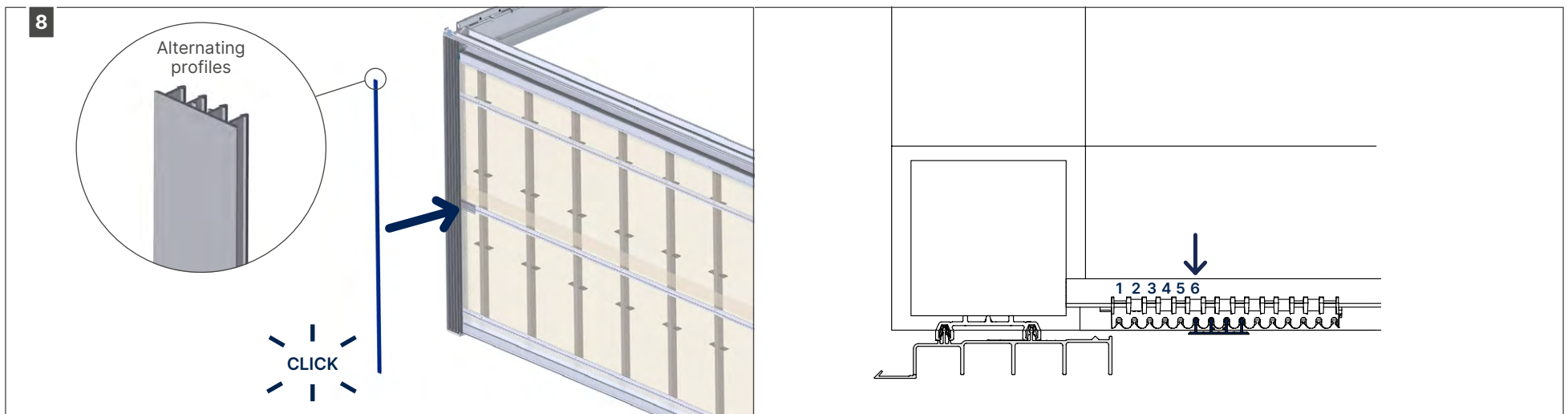
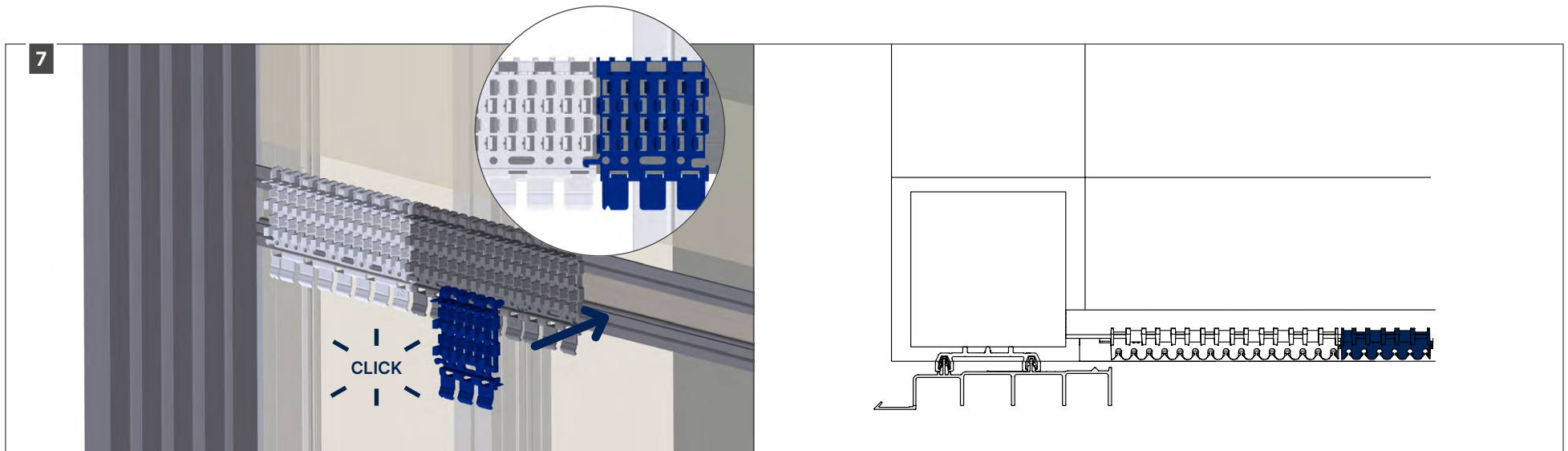
7.7 • Installation of the Linarte profiles

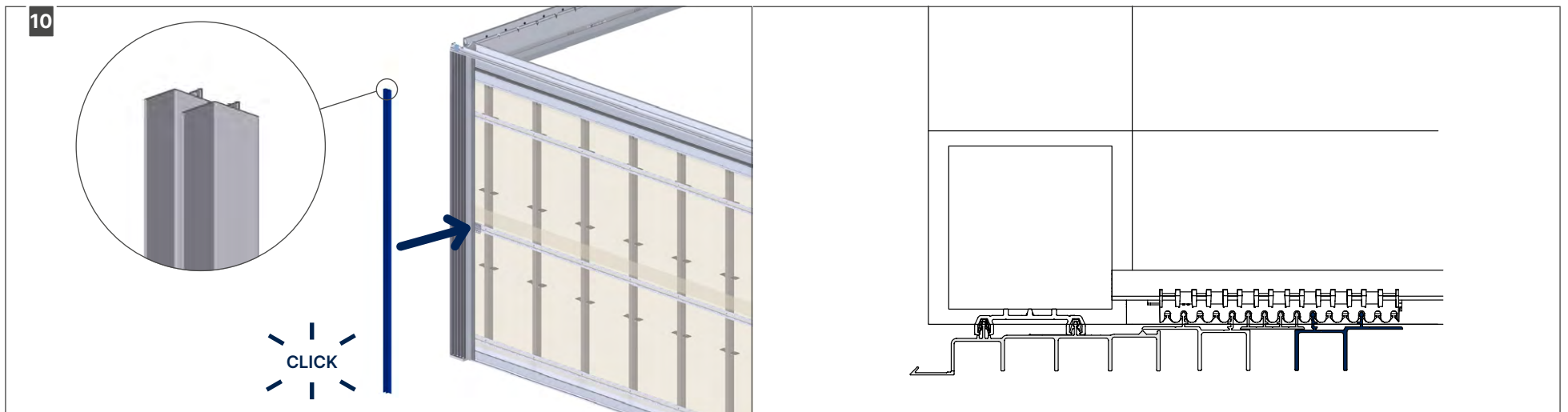
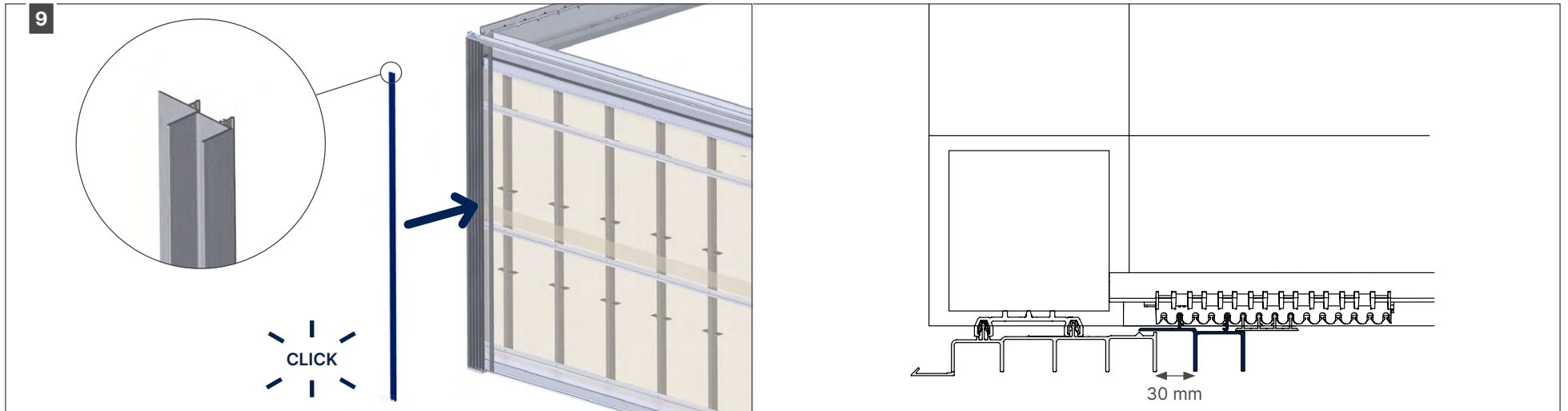


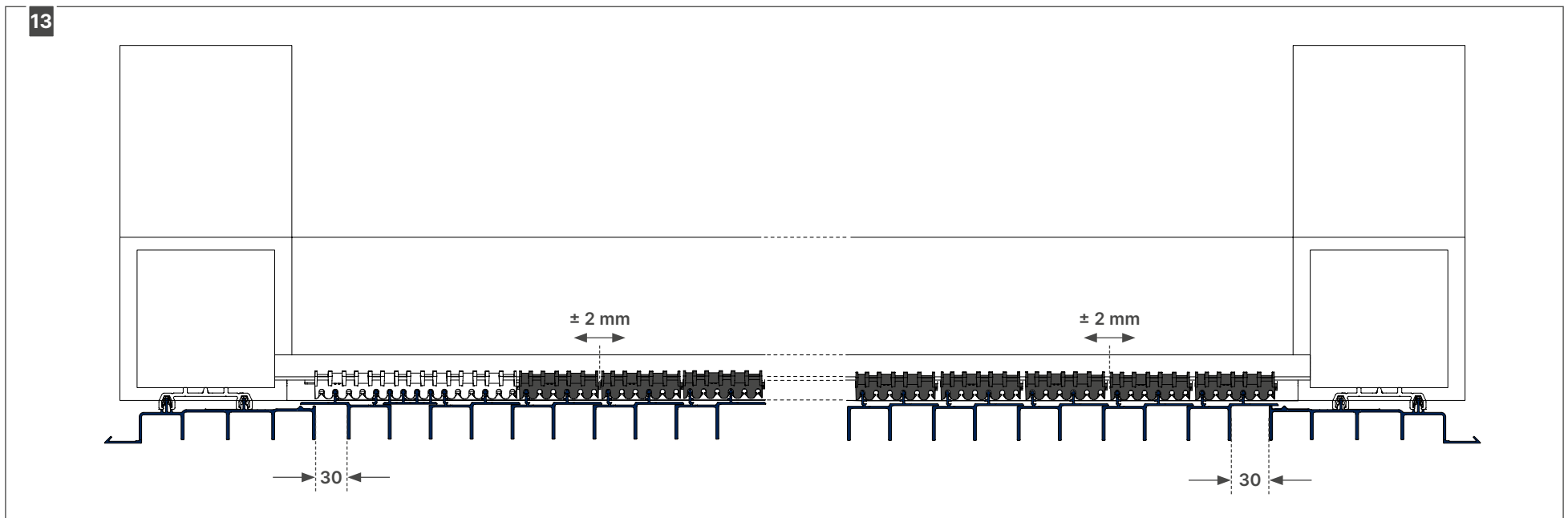
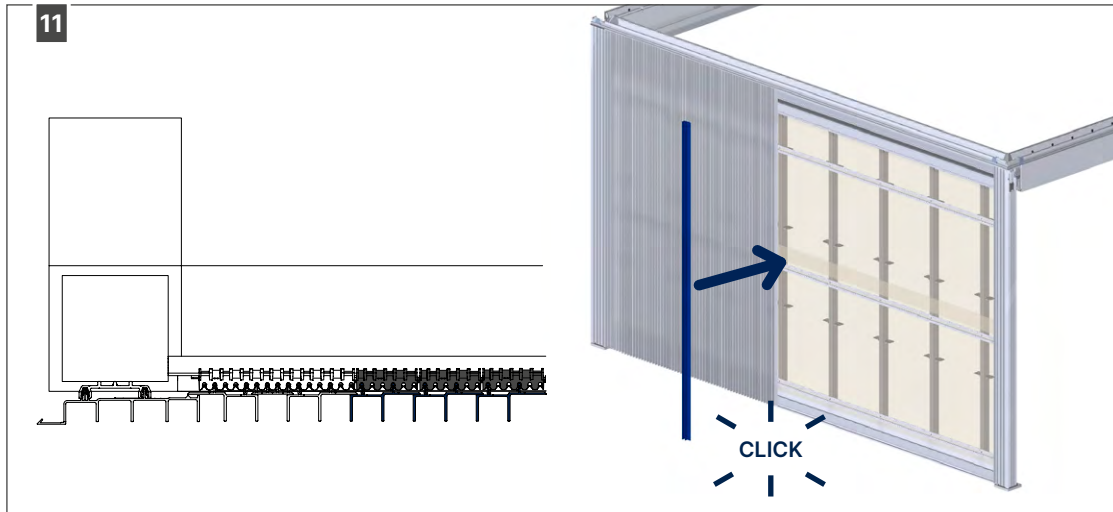
Use up all 150 clips first and divide them equally among the number of Linarte support profiles.



FIXED WALL LINARTE



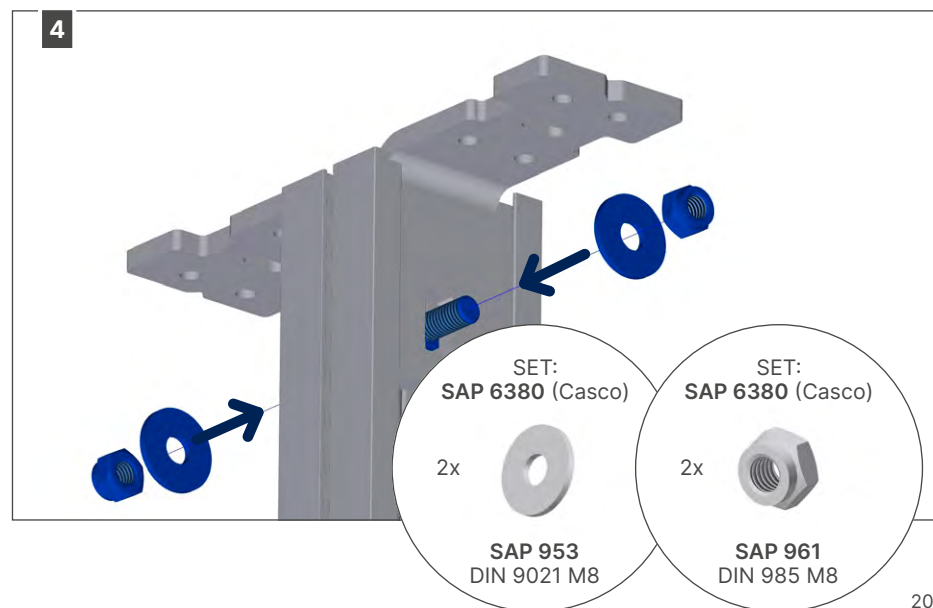
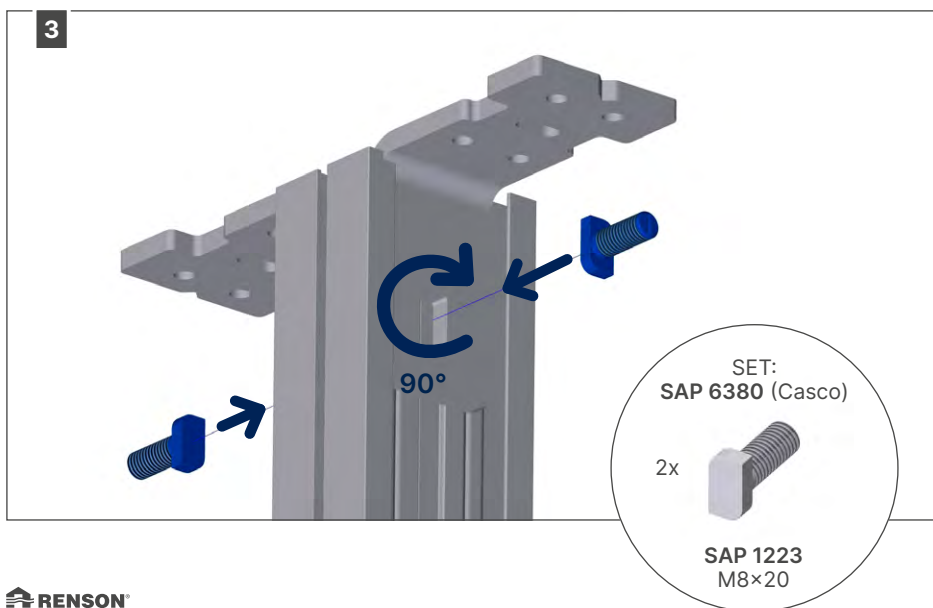
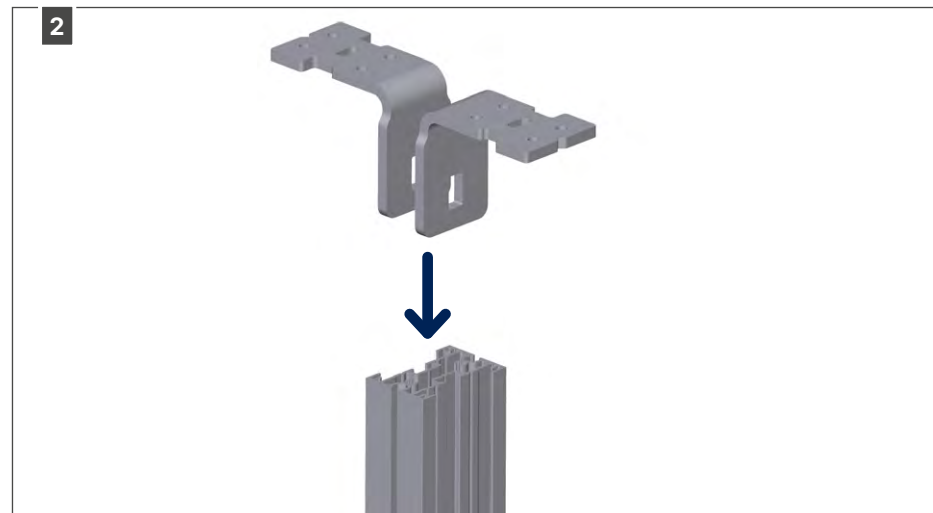
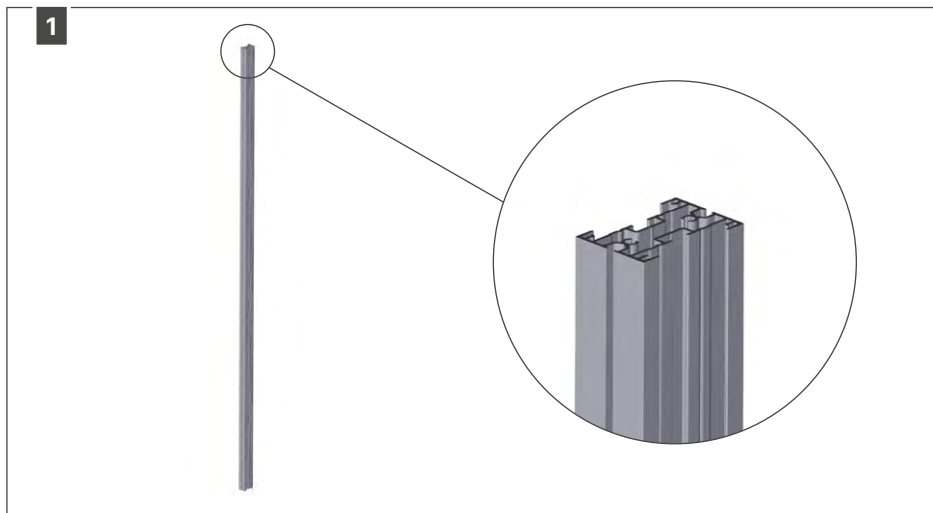


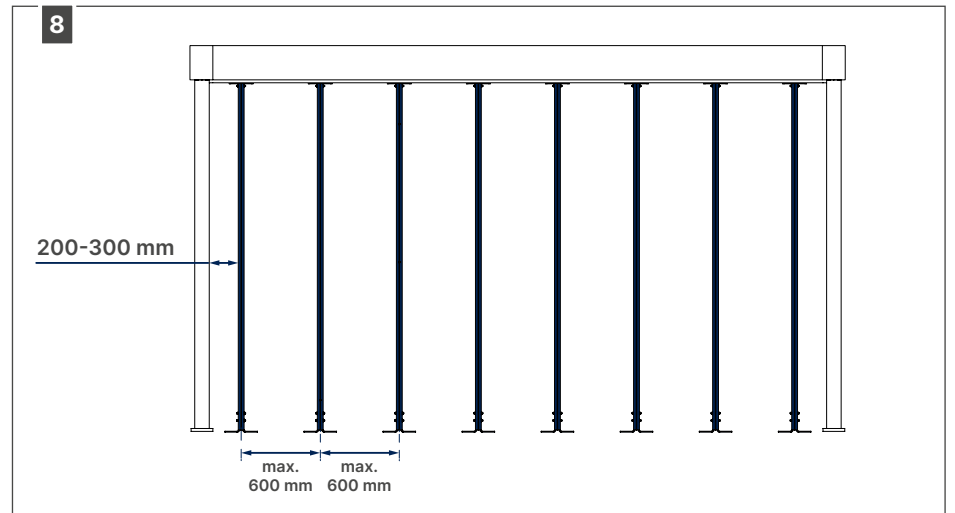
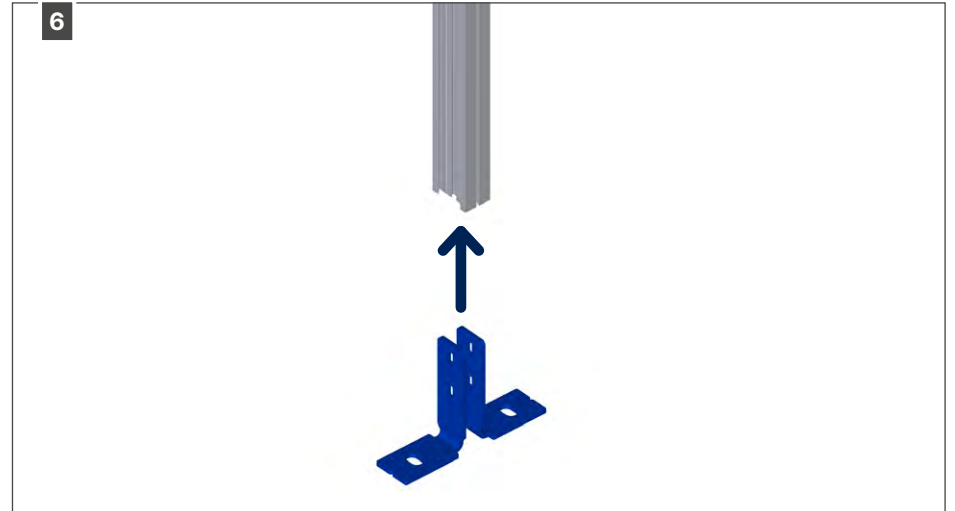
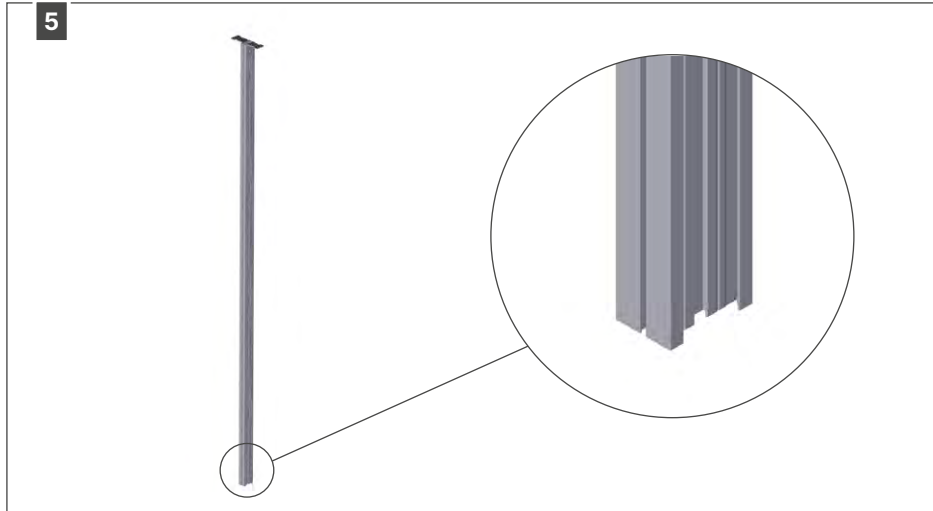


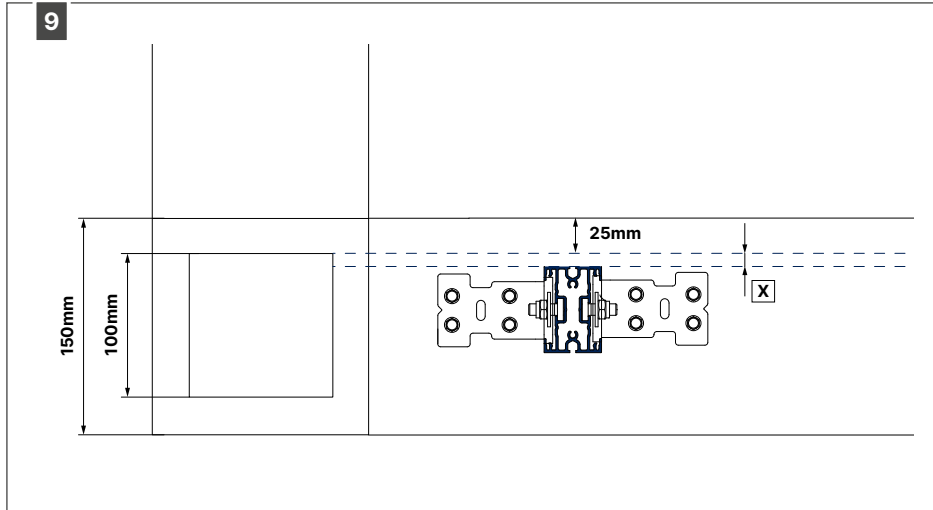
8 • Fixed wall - unfinished

8.1 • Installing the support posts

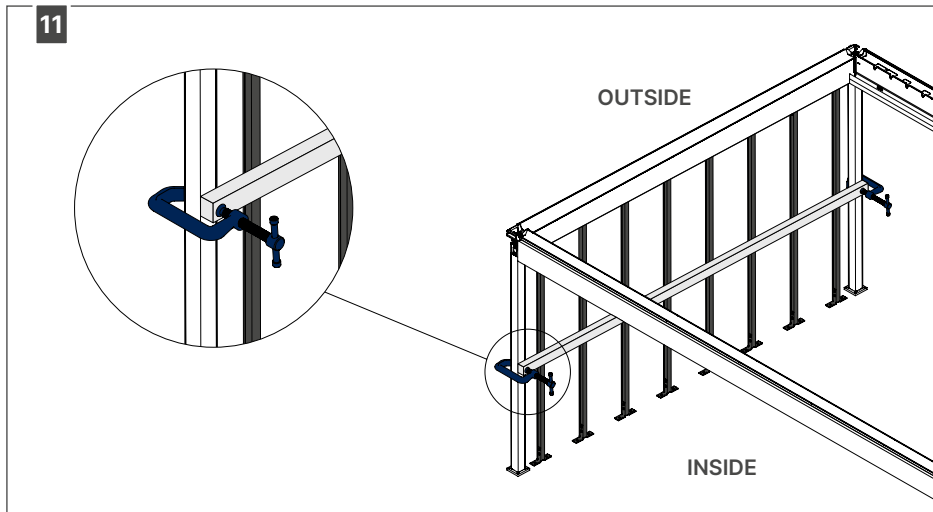
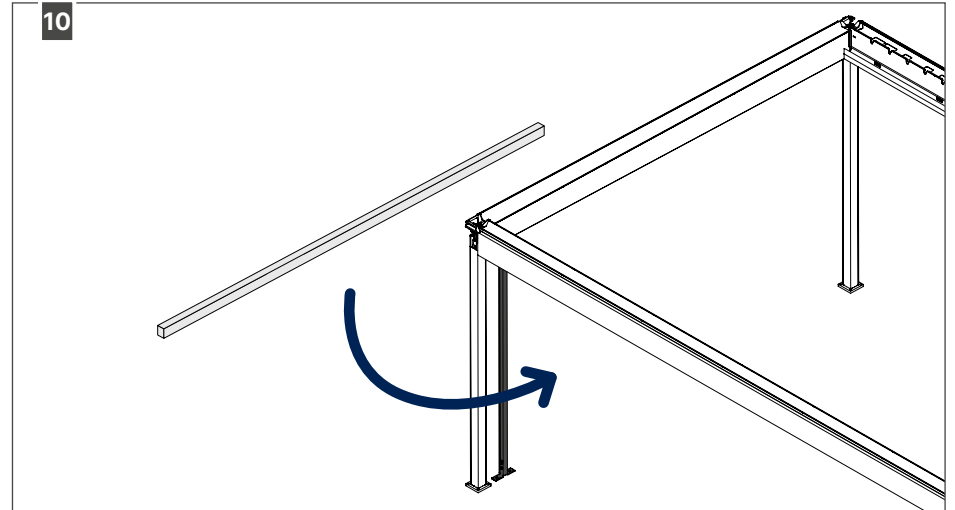
FIXED WALL
UNFINISHED



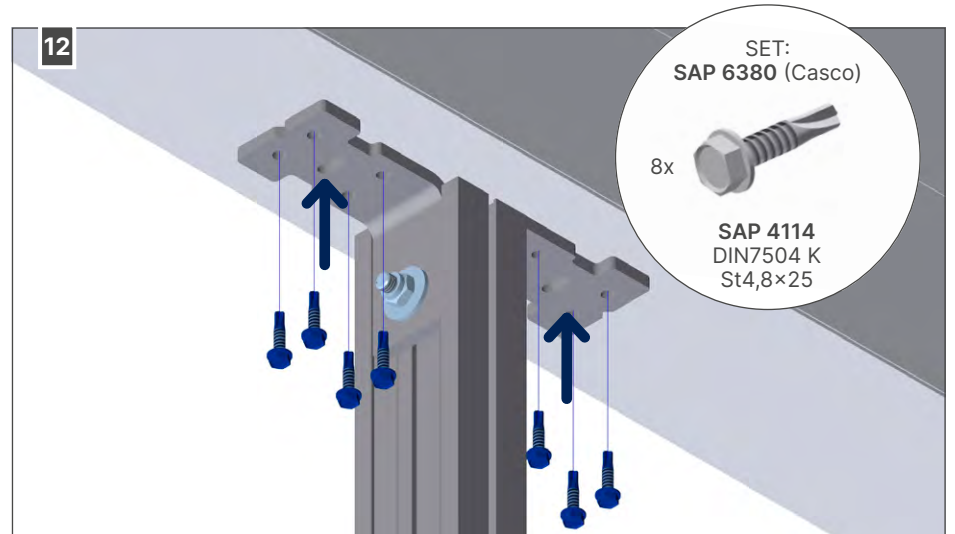


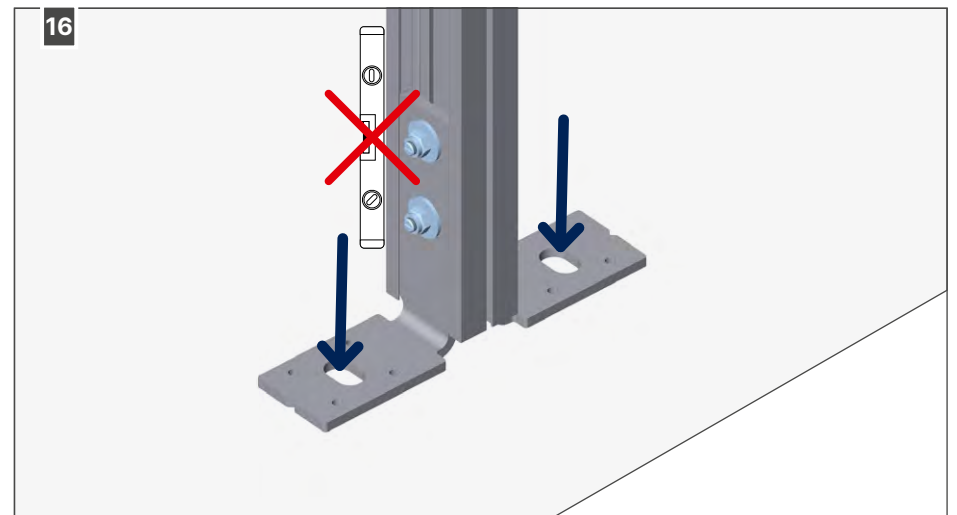
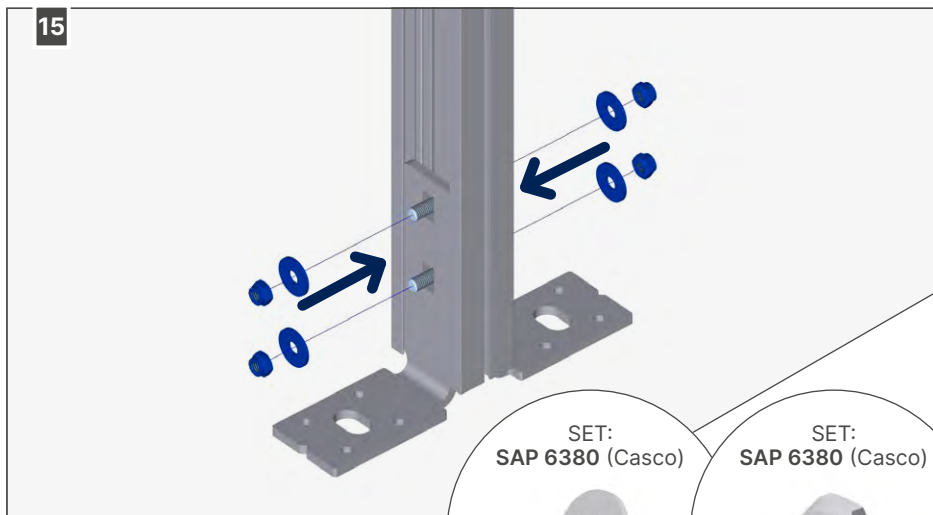
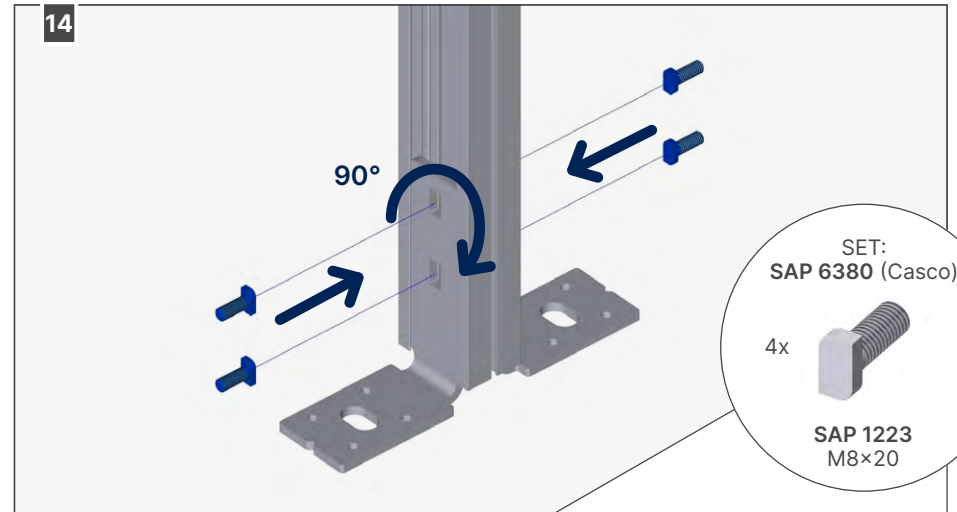
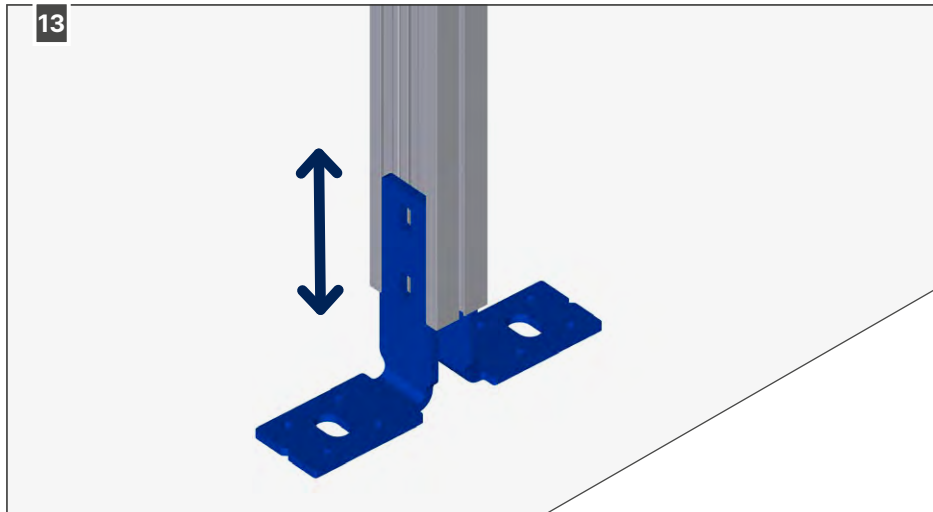


The distance of X depends on the thickness of the wood.



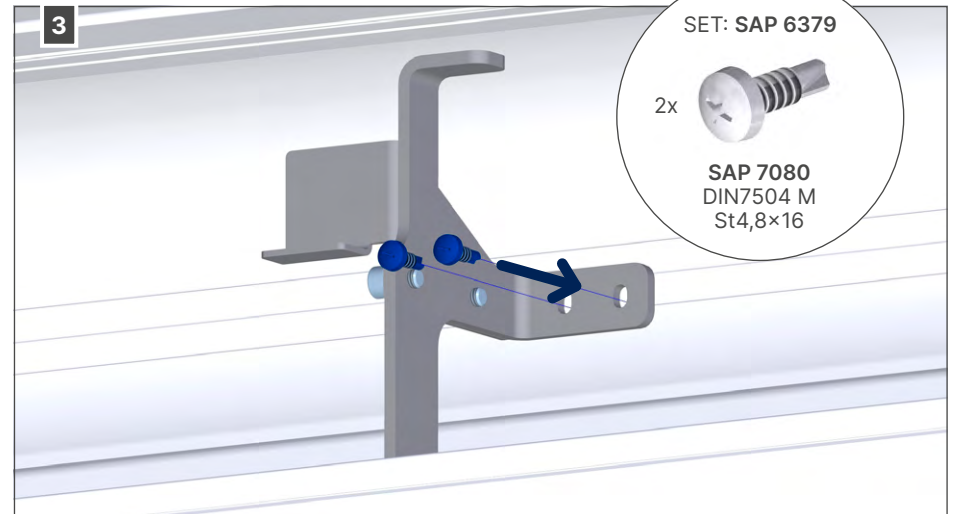
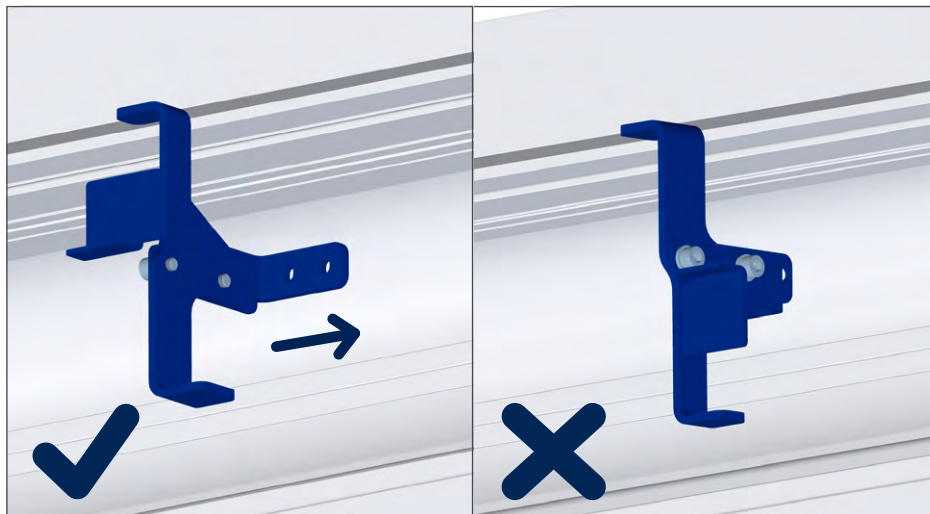
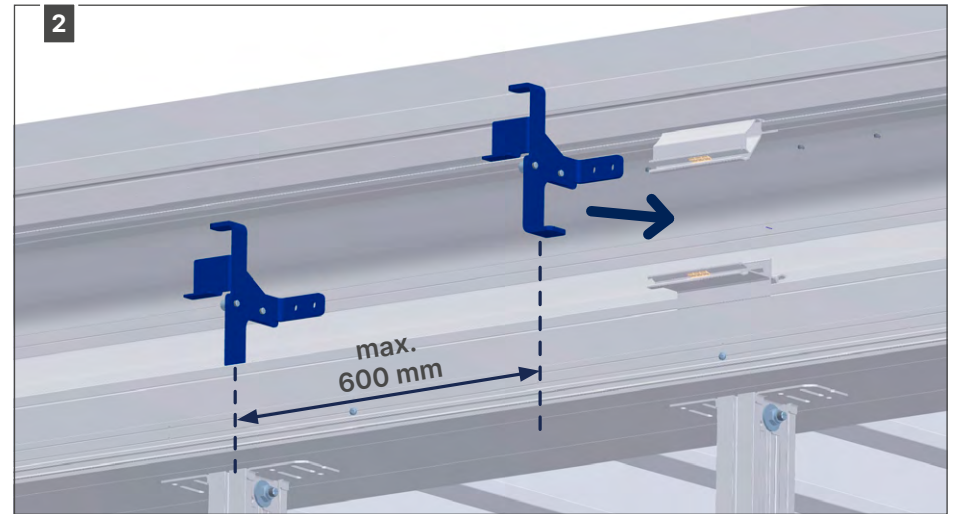
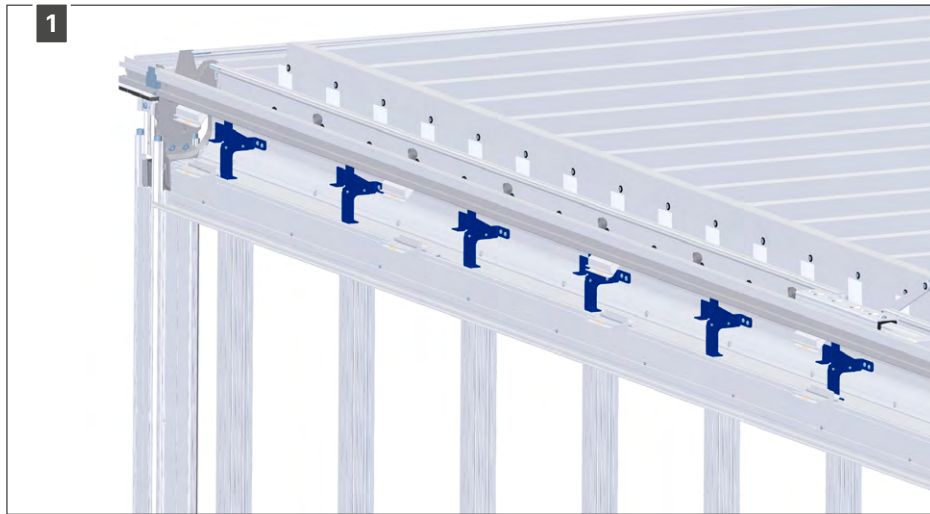
Fixing a beam against the column can help align the support posts.



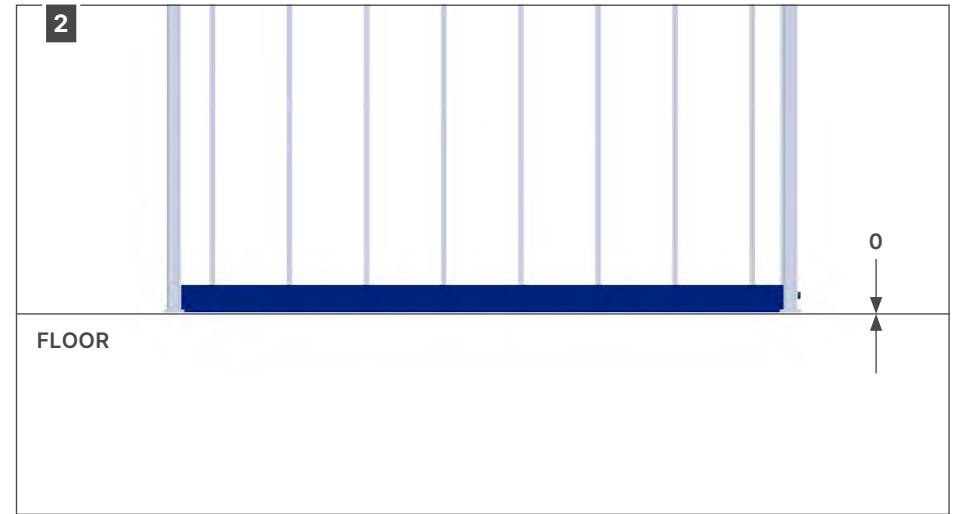
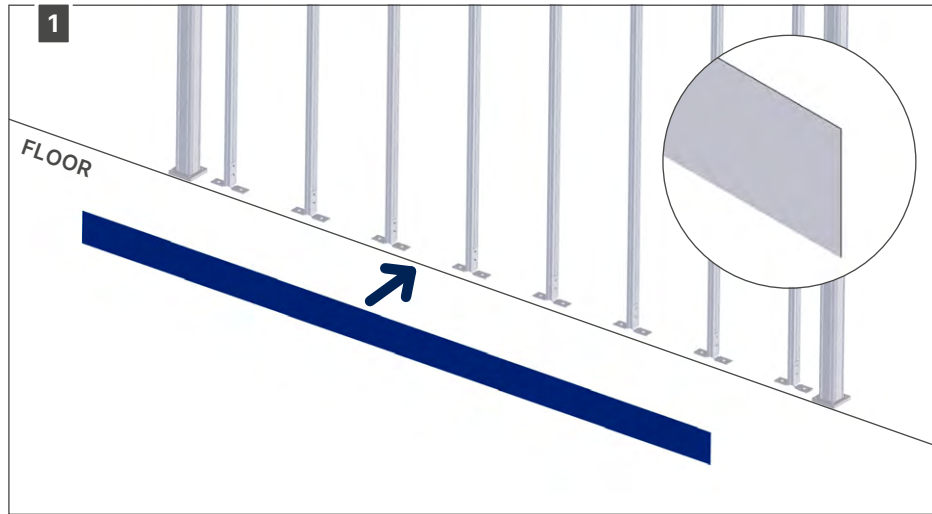


Secure the support posts. Use fasteners adapted to the relevant surface (to be provided by the installer).

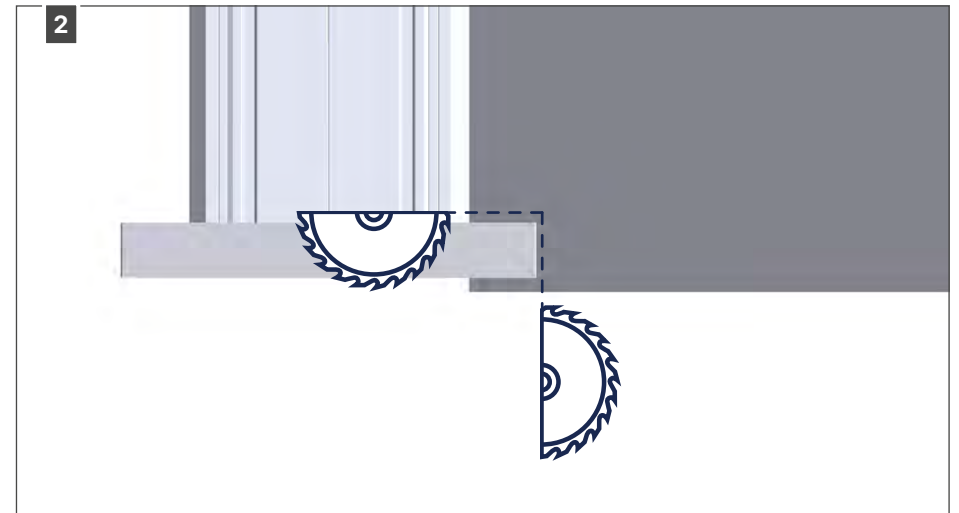
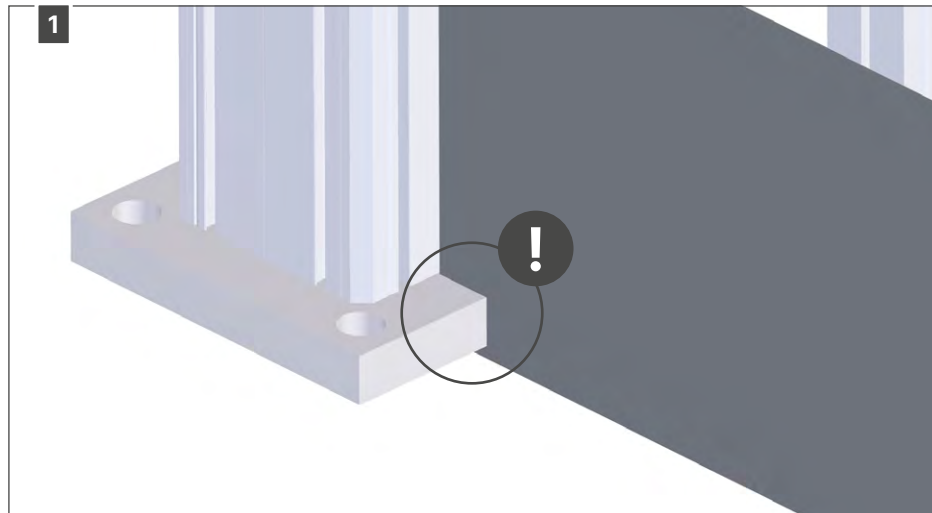
8.2 • Installation of the brackets in the upper beam - unfinished



8.3 • Installation of the skirting profile

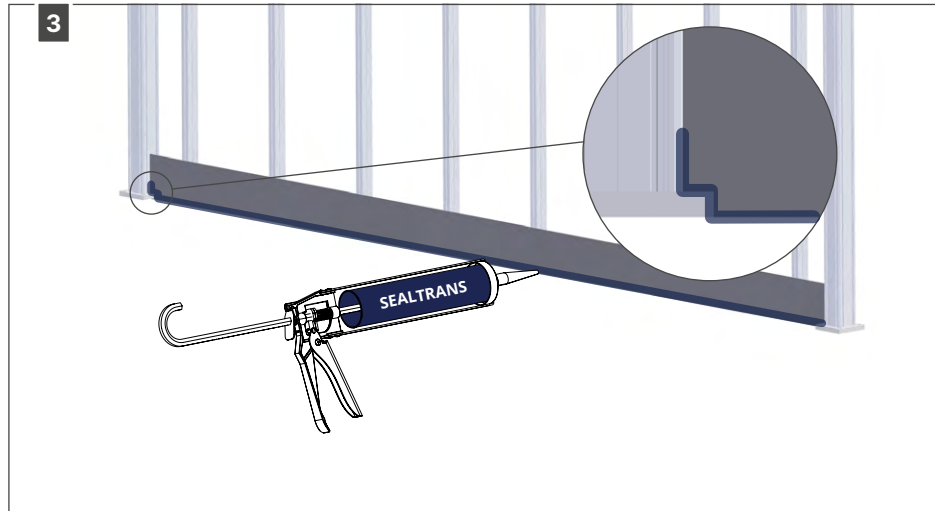
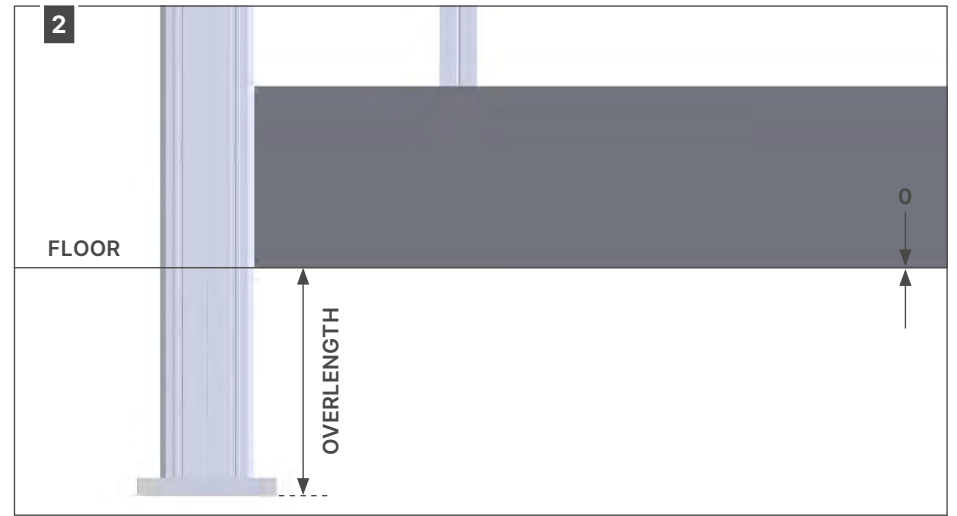
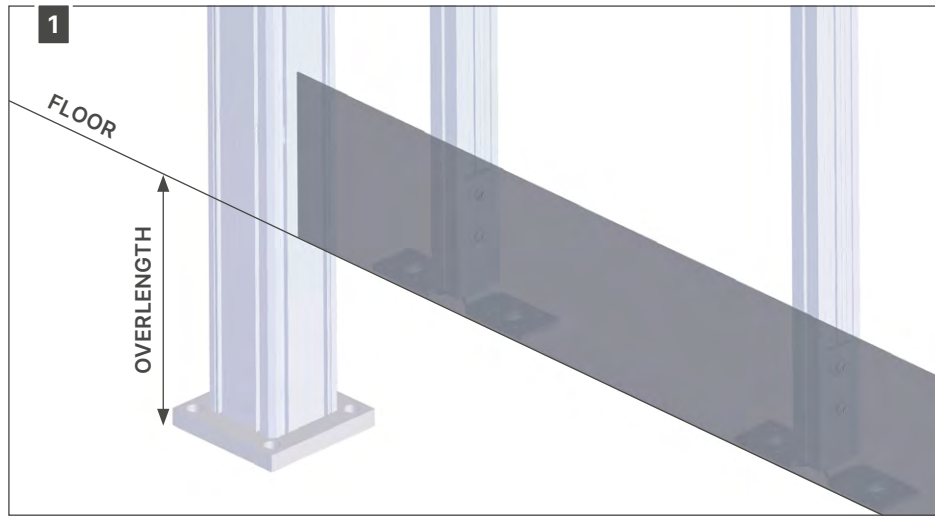


Option 1: for a column without overlength



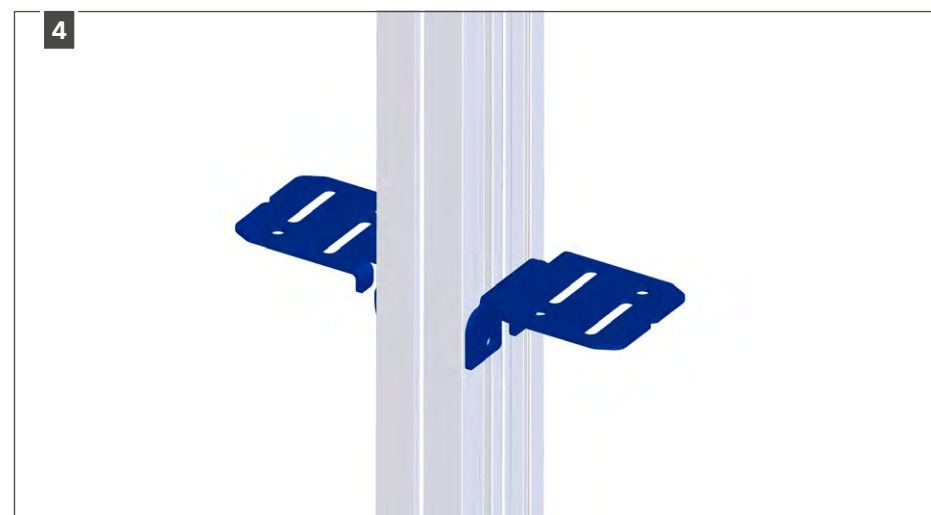
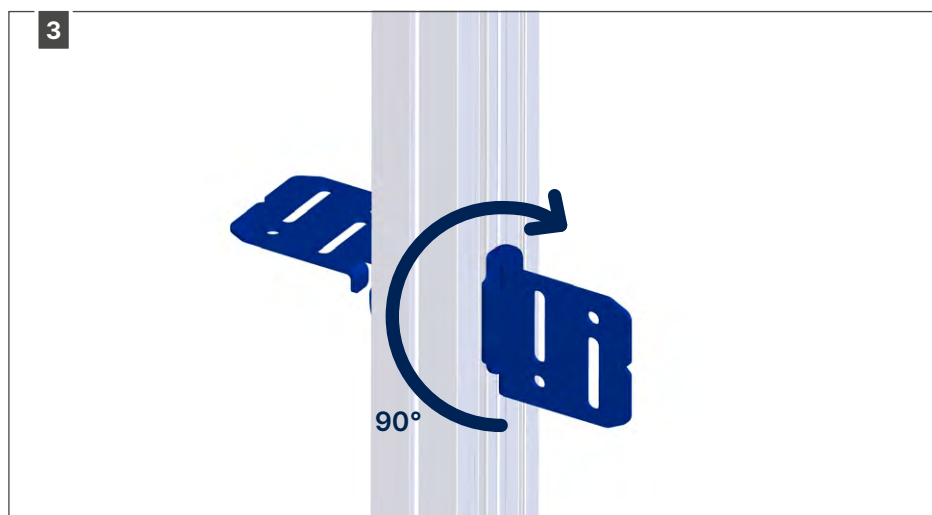
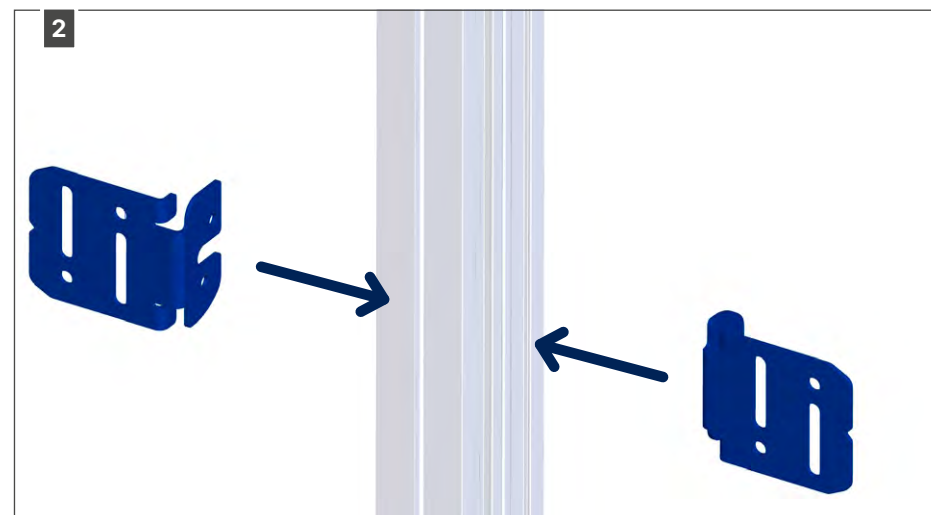
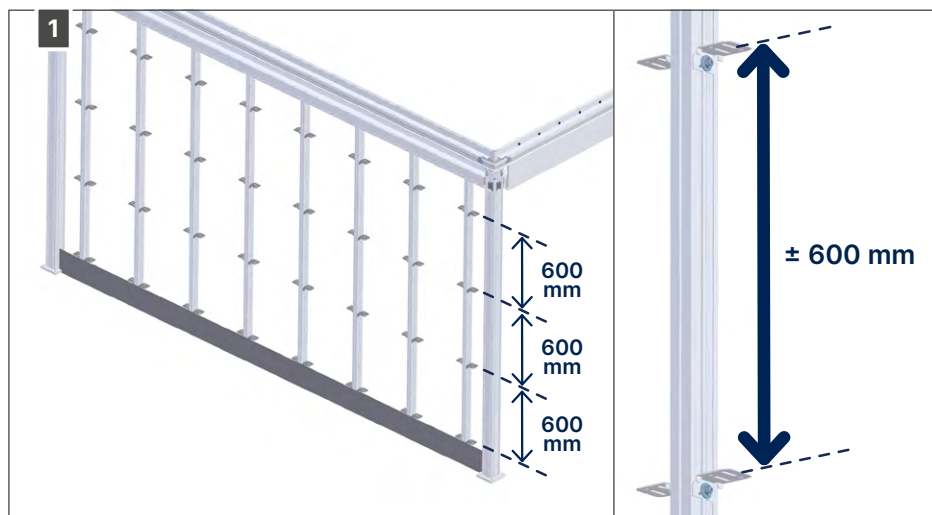
FIXED WALL
UNFINISHED

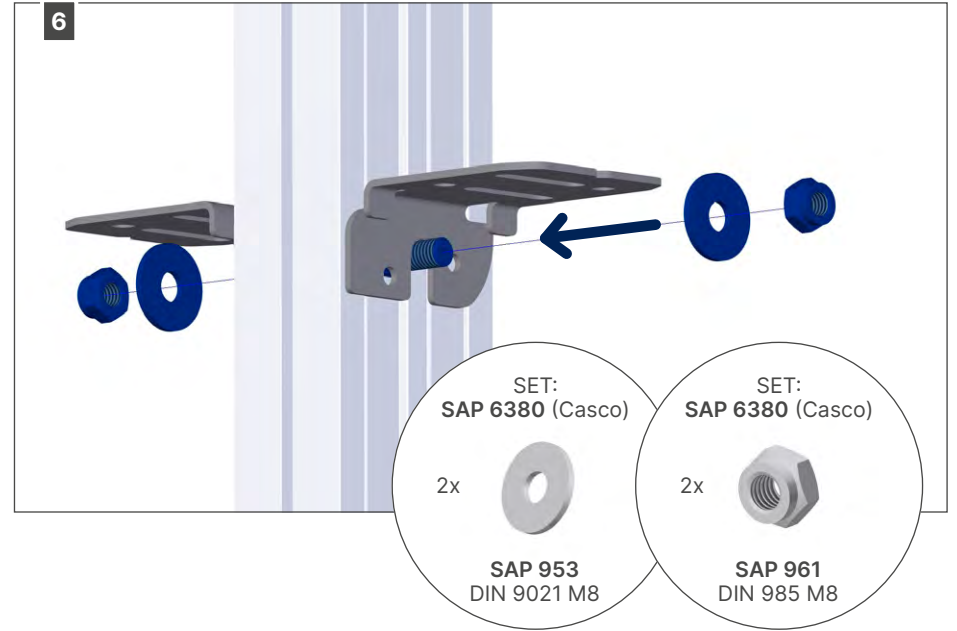
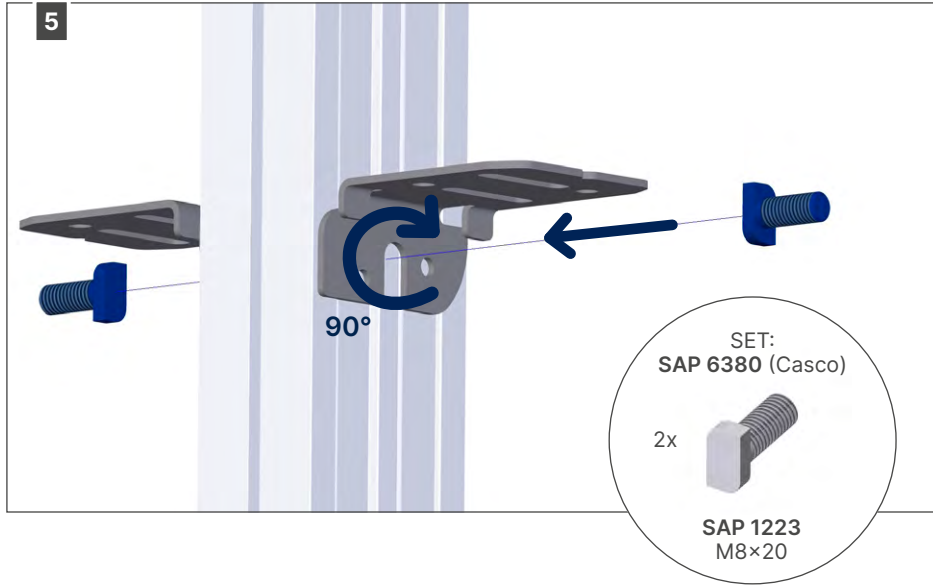
Option 2: for a column with overlength



FIXED WALL
UNFINISHED

8.4 • Installation of Casco brackets

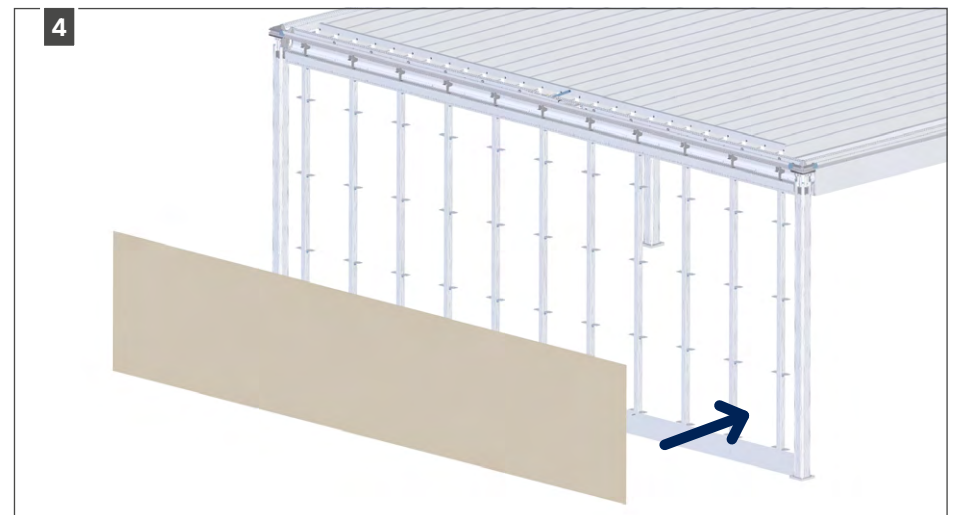
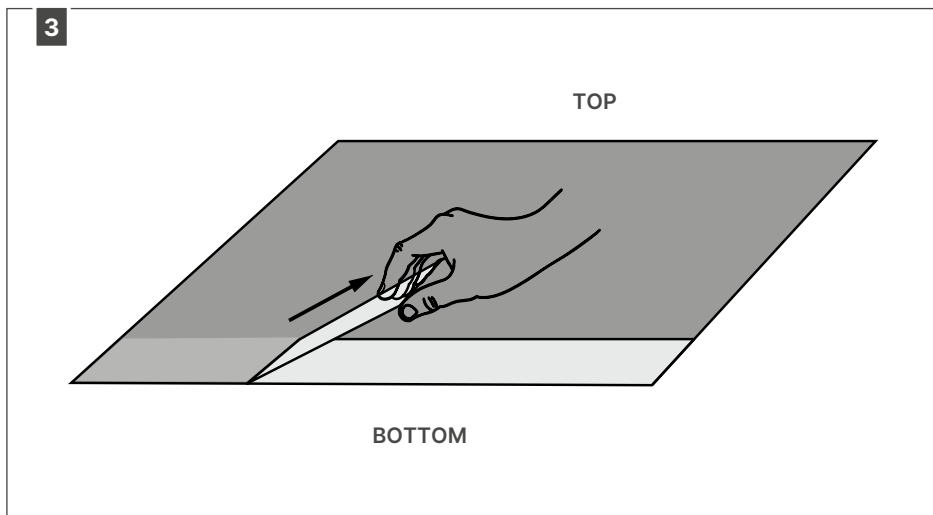
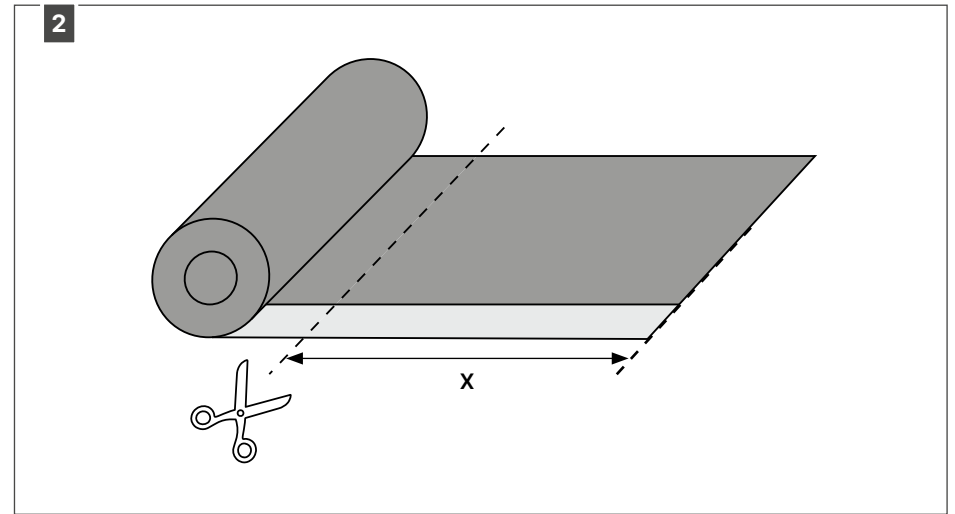
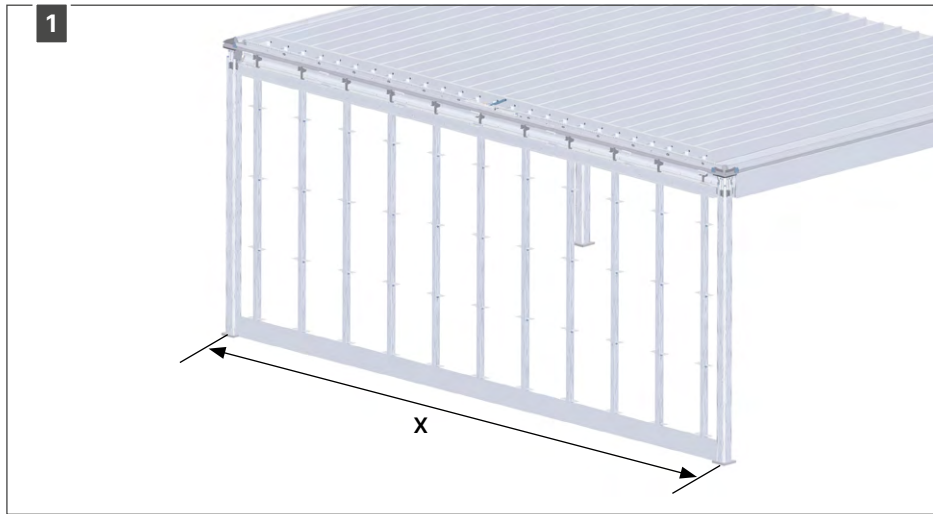


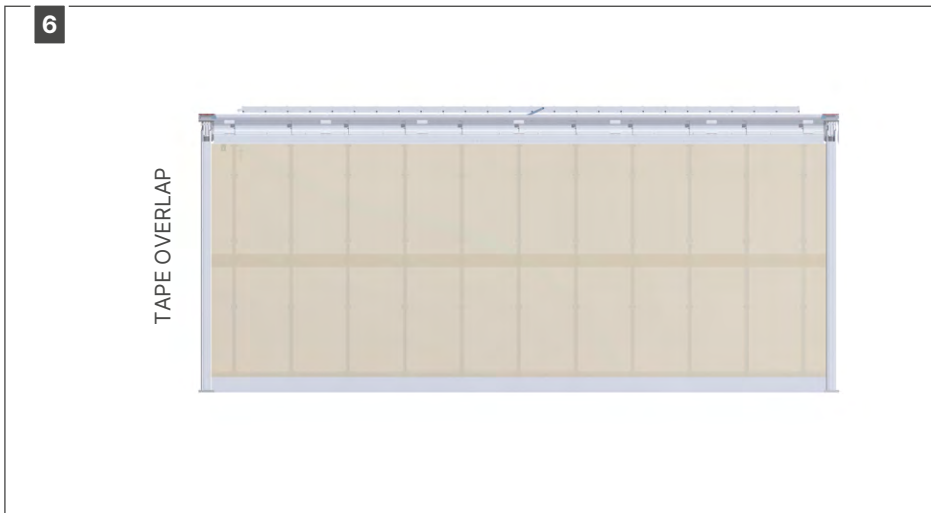
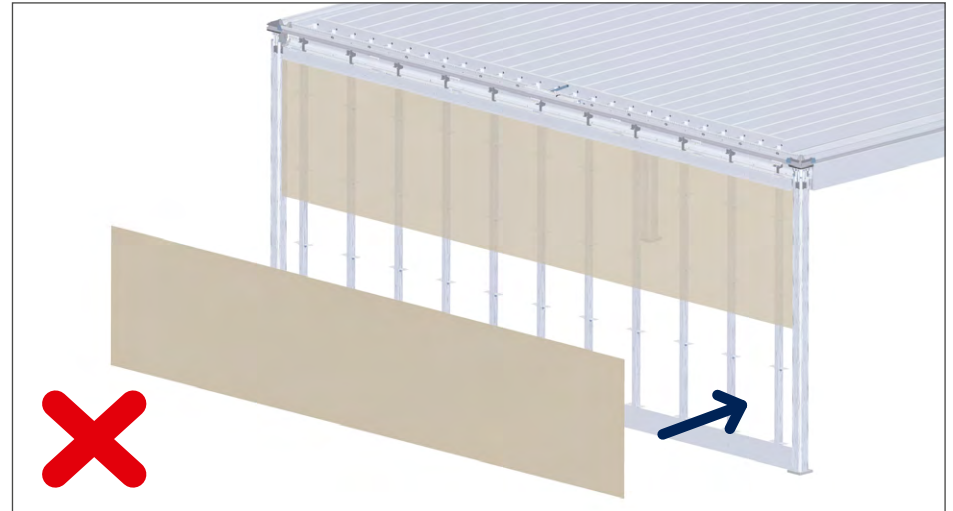
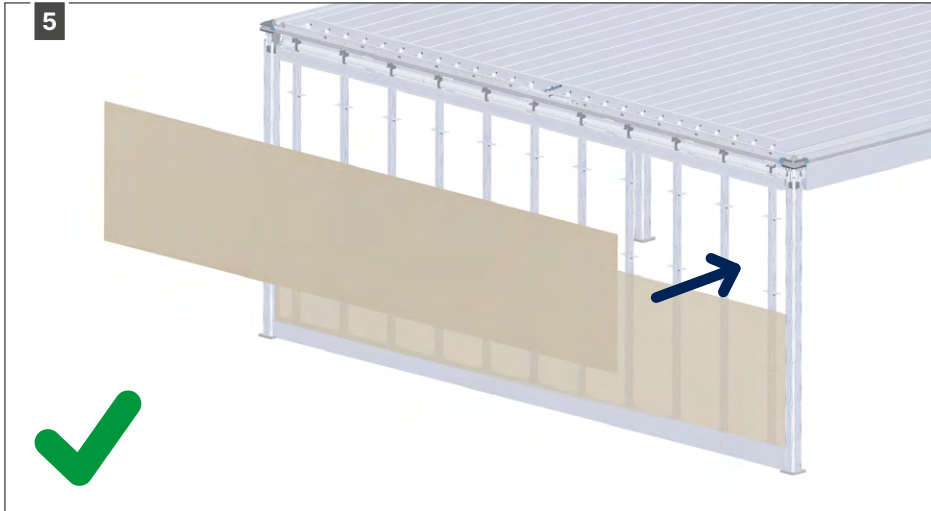


FIXED WALL
UNFINISHED

8.5 • Installation of the vapor barrier

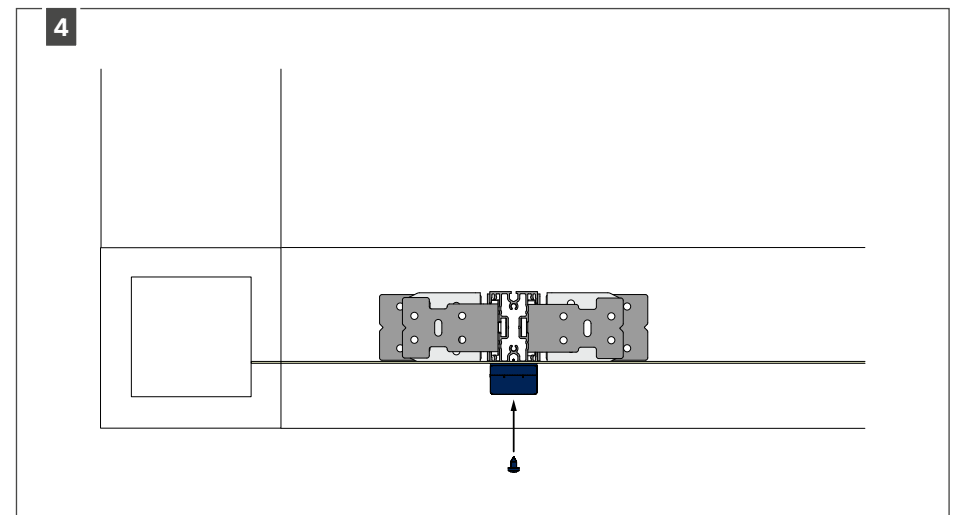
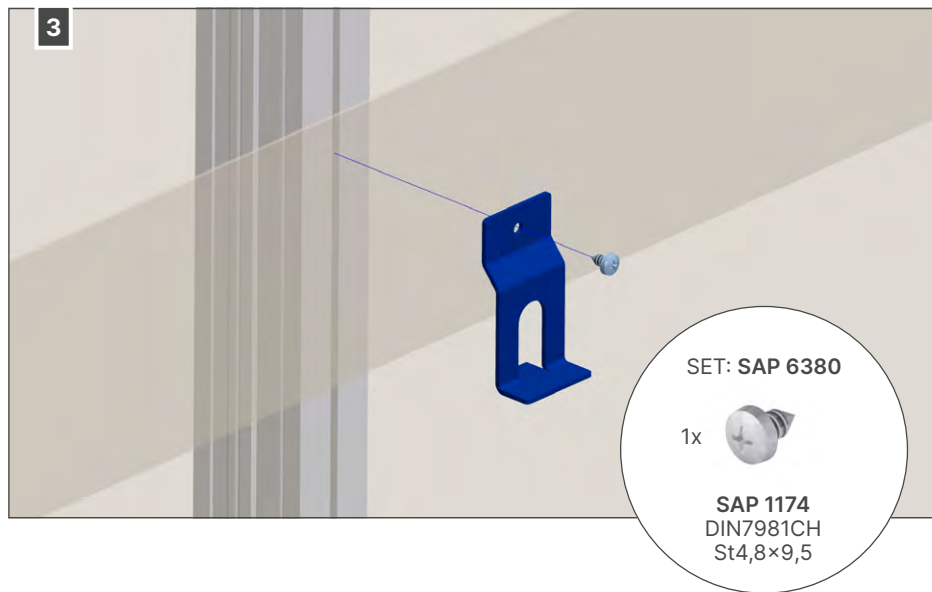
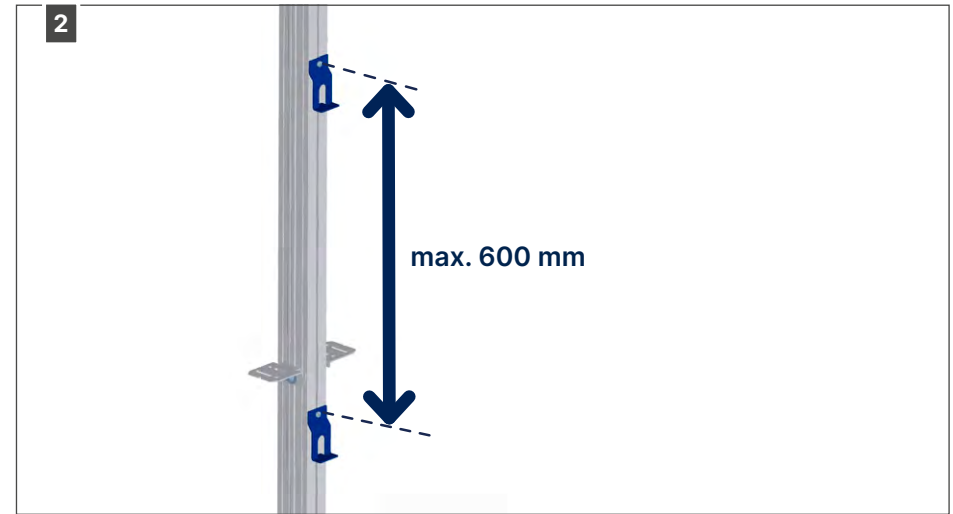
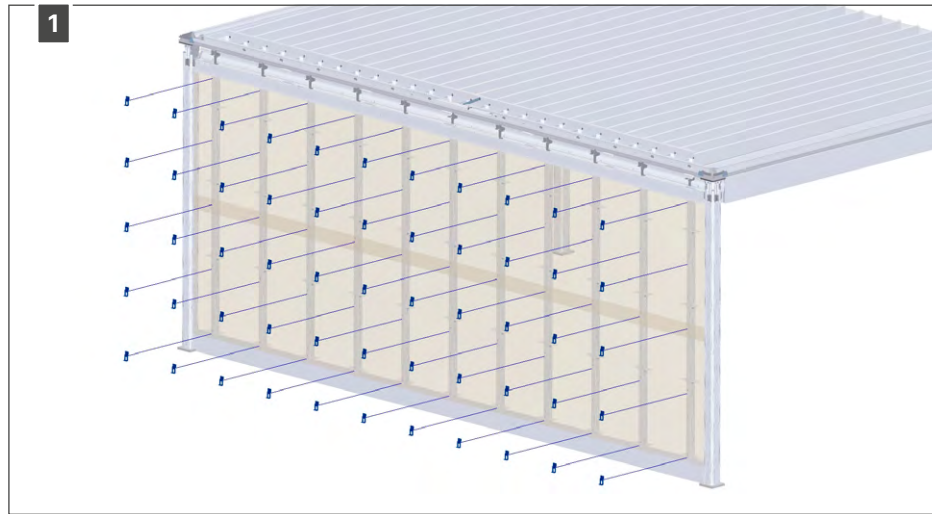
FIXED WALL
UNFINISHED



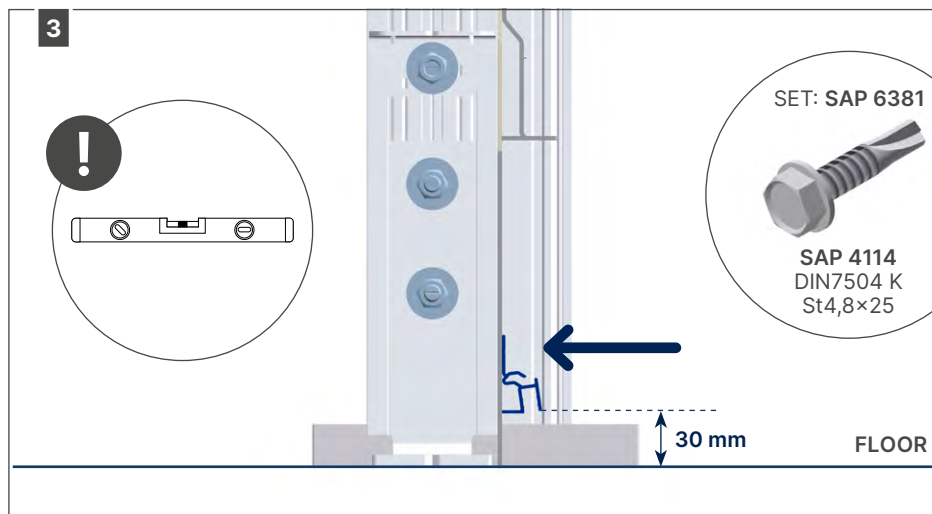
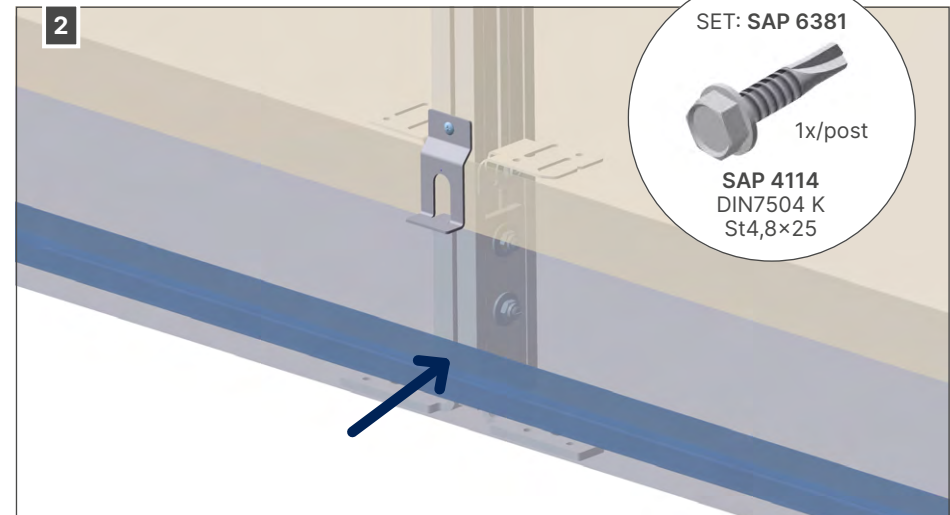
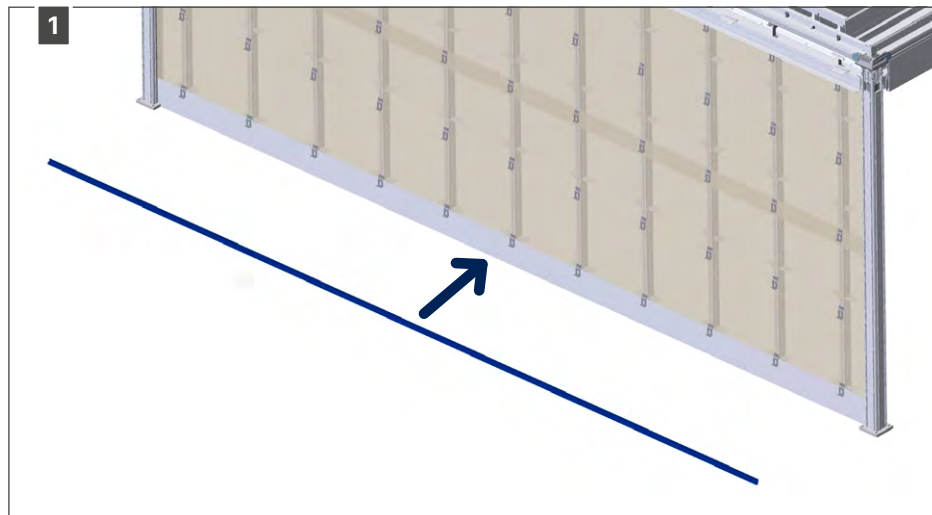


Let the vapor barrier overlap

8.6 • Installation of the front brackets to the aluminium supports

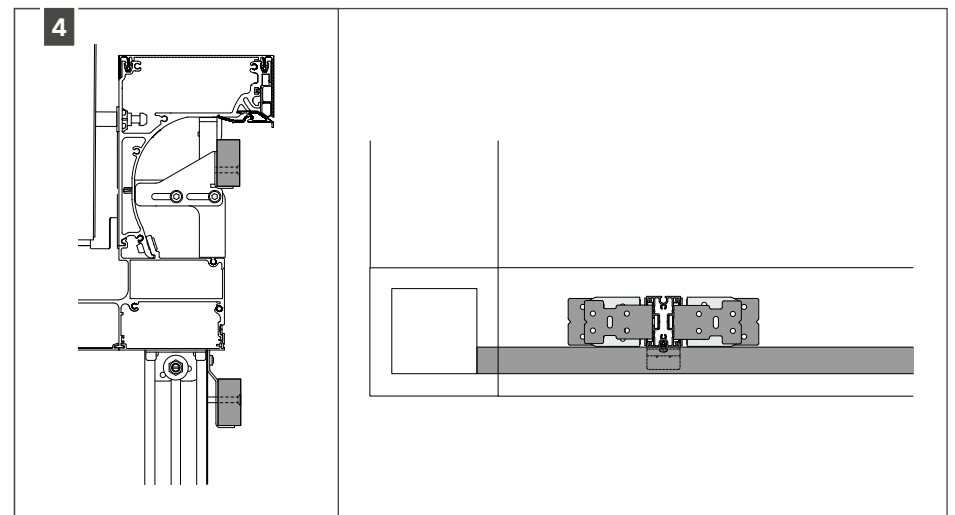
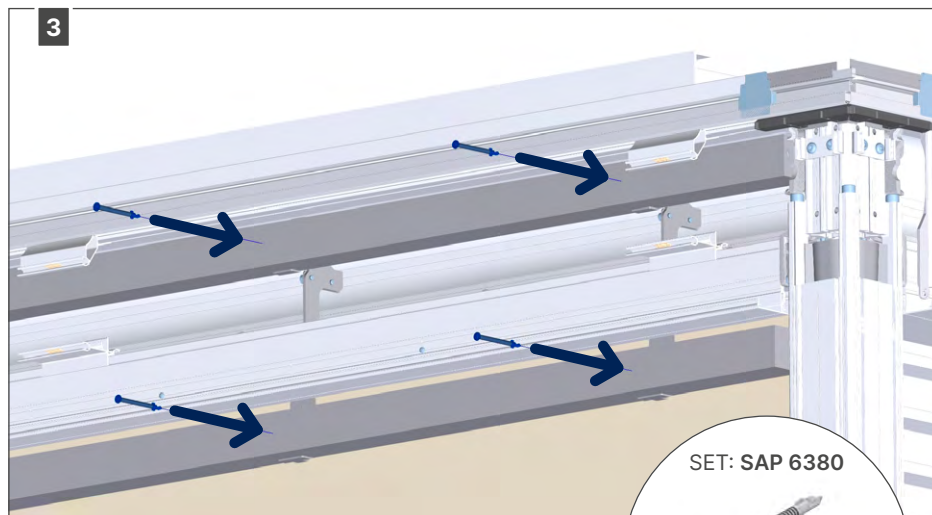
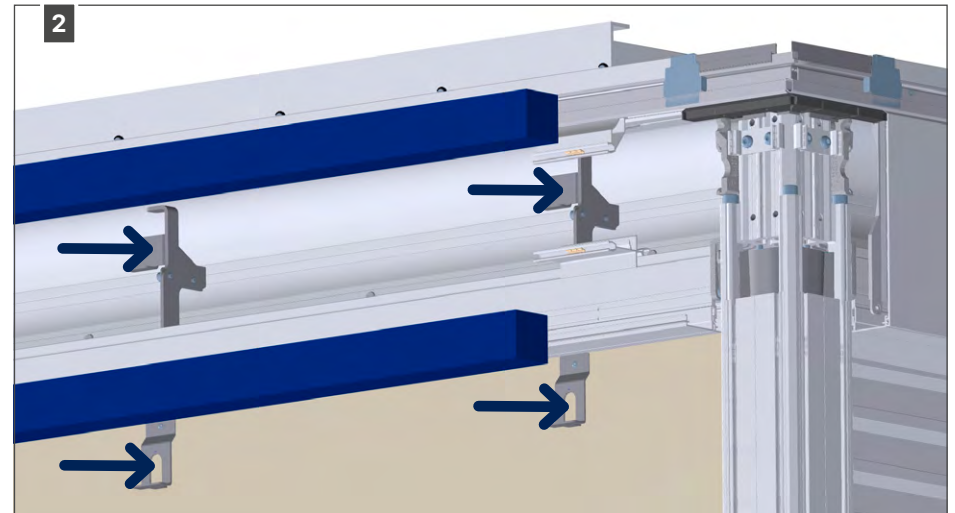
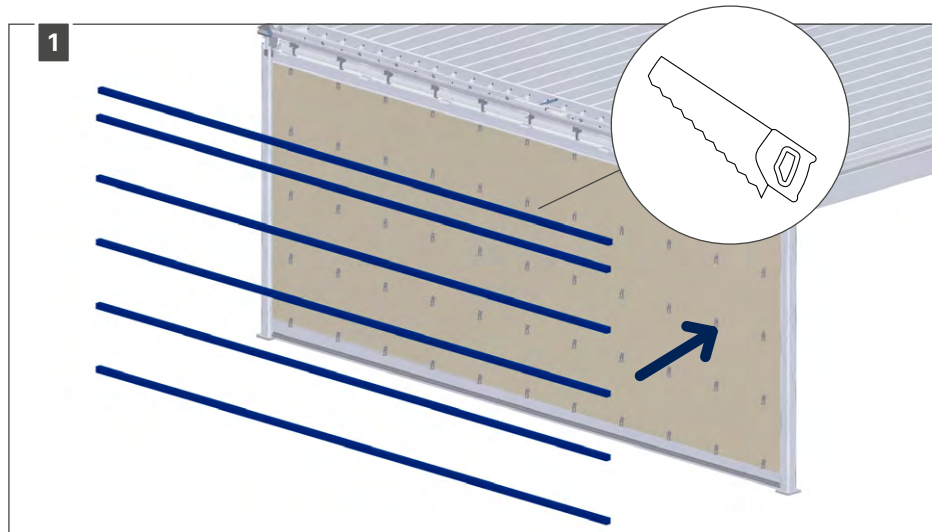


8.7 • Installation of the aluminium support profile at the bottom of the wall



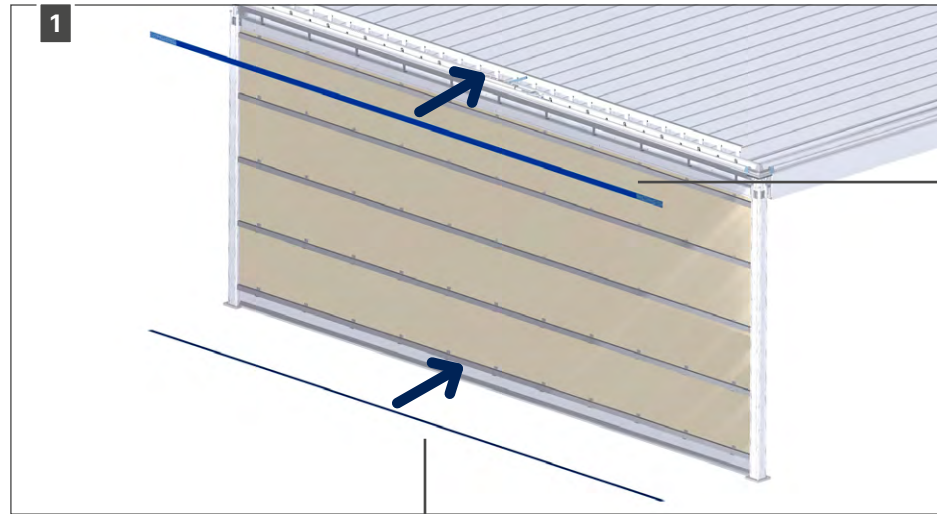
FIXED WALL
UNFINISHED

8.8 • Installation of the Casco supporting profiles

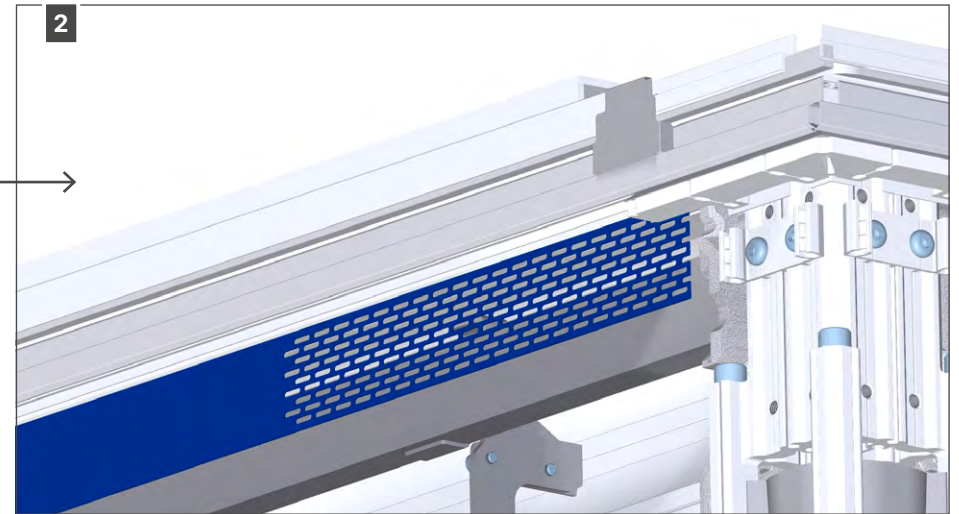


FIXED WALL
UNFINISHED

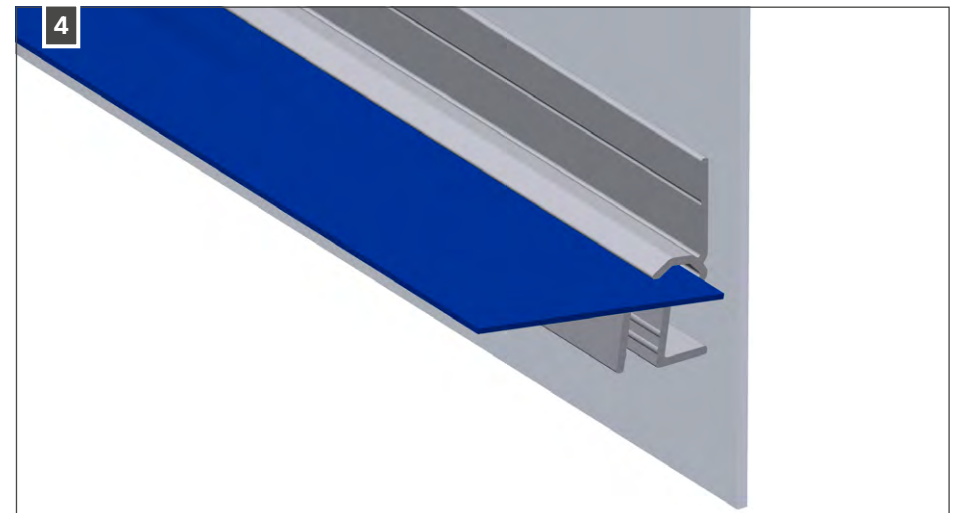
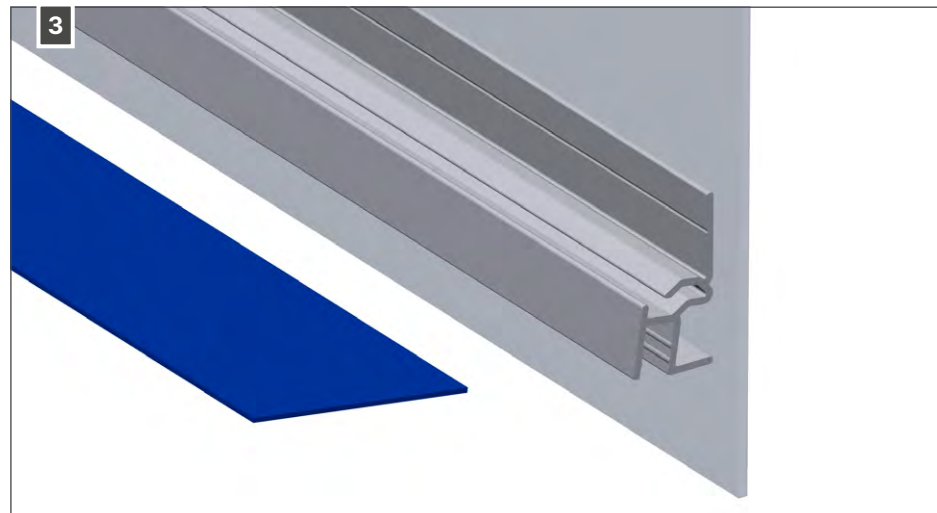
8.9 • Installation of the ventilation profile



Above

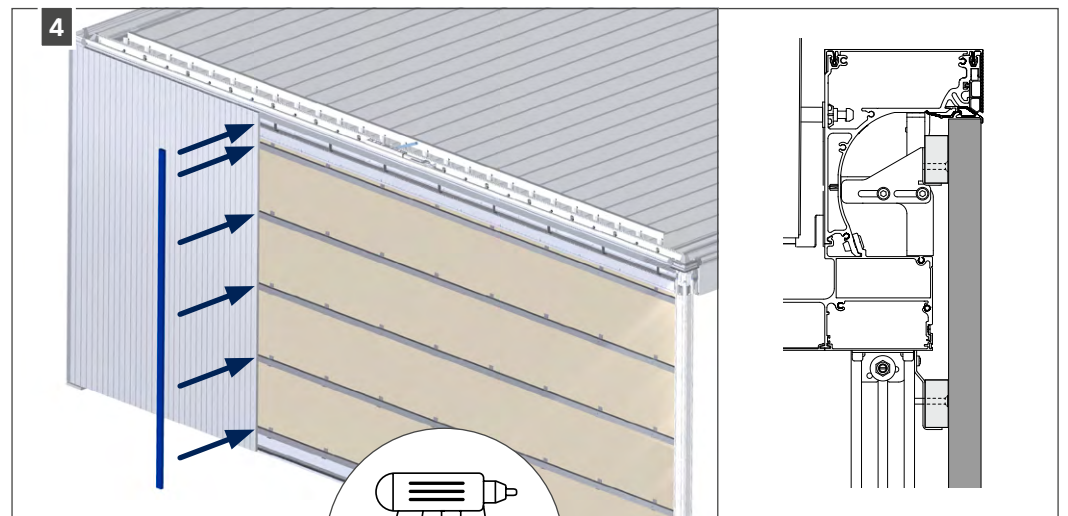
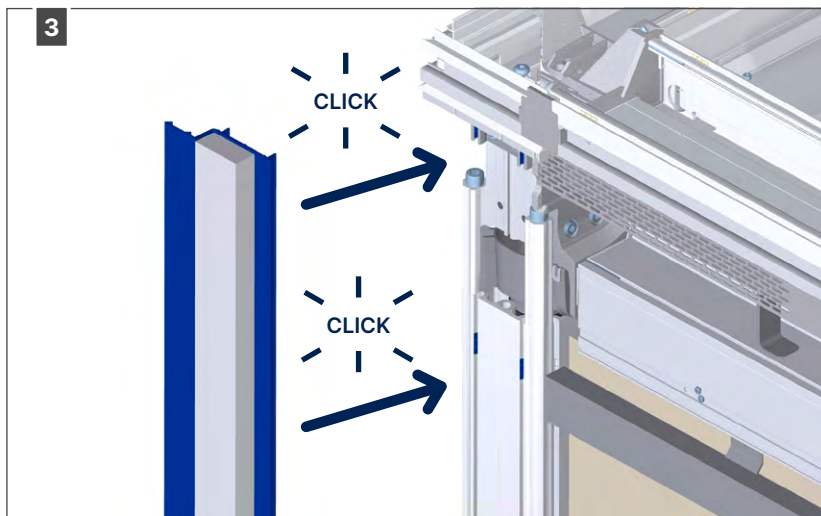
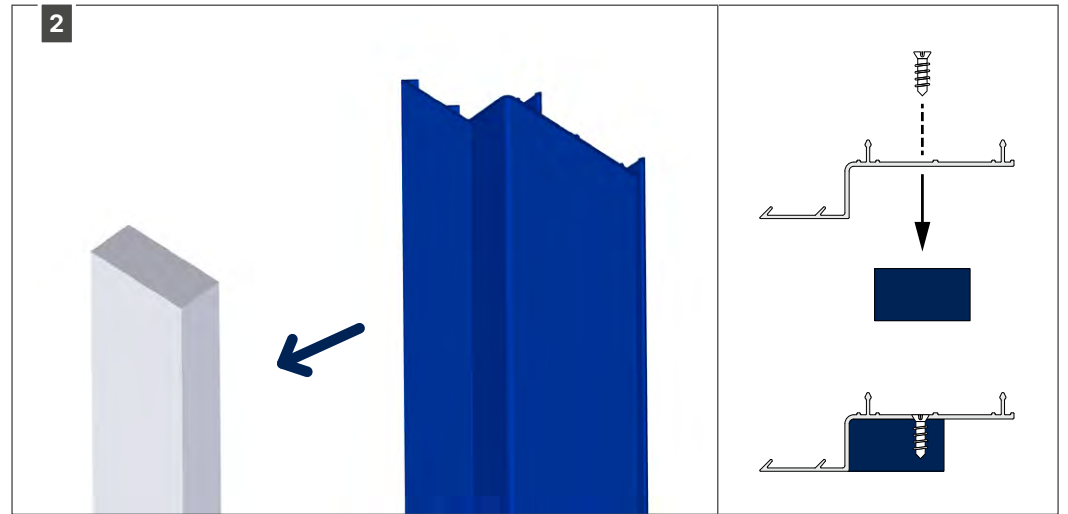
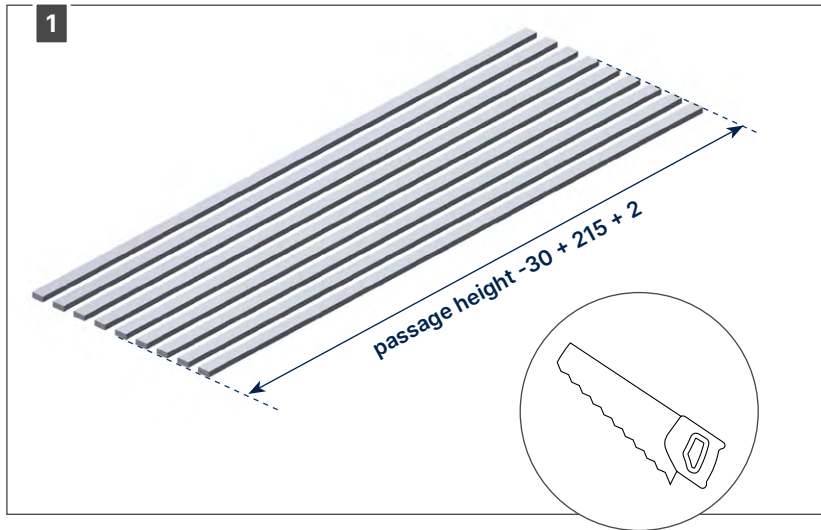


Below



FIXED WALL
UNFINISHED

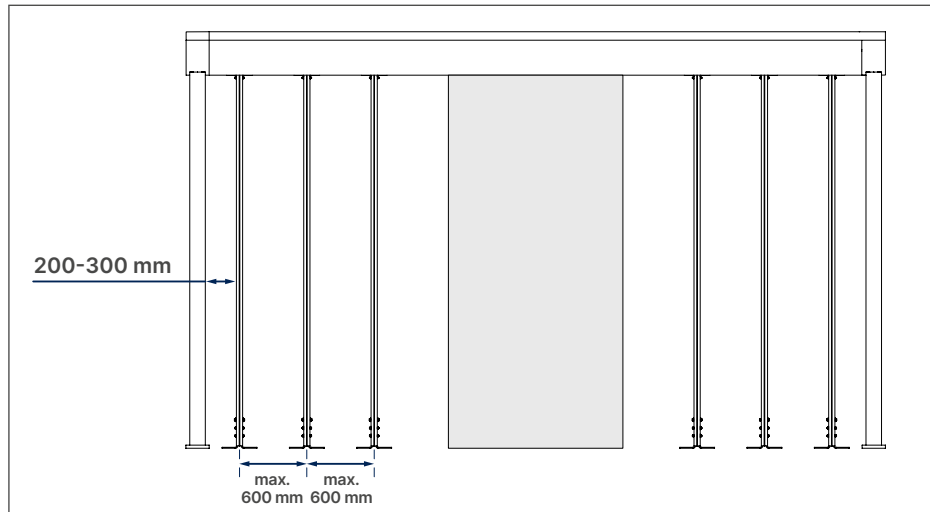
8.10 • Installation of the wooden cladding



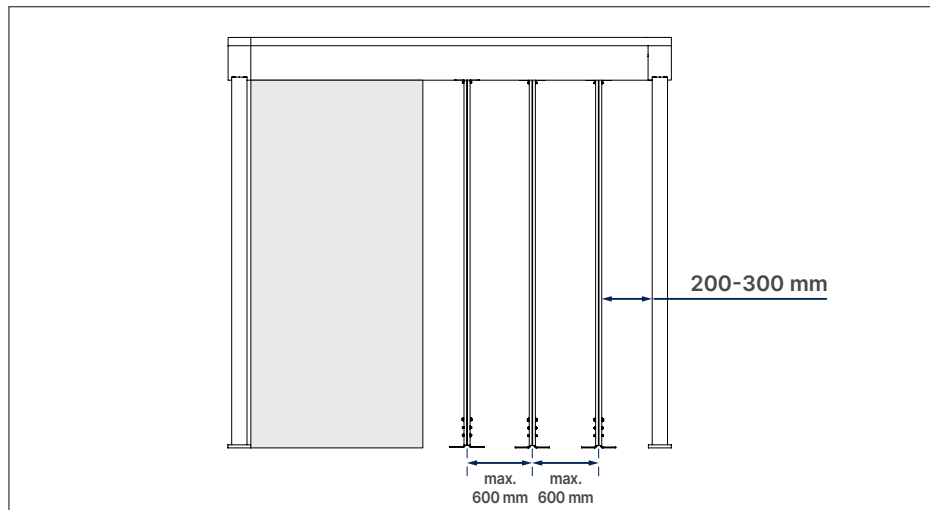
9 • Fixed wall with door - Linarte (view from the outside)

Install the support posts as in the chapter 7.1 "Fixed wall - Linarte"

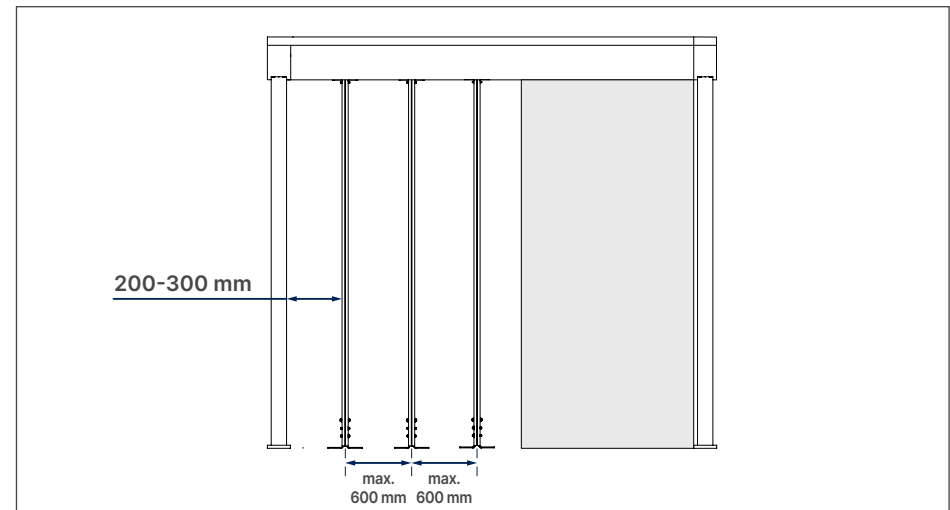
Option 1: door in the middle



Option 2: door on the left



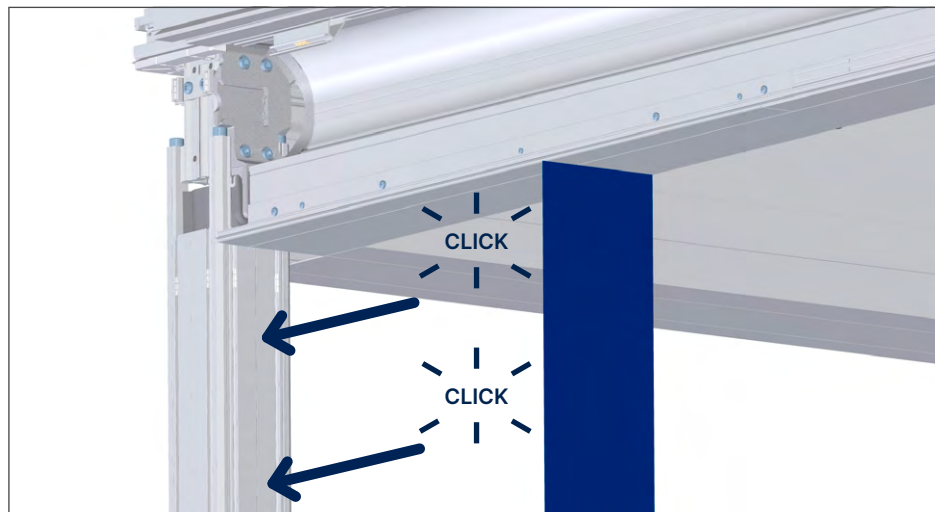
Option 3: door on the right



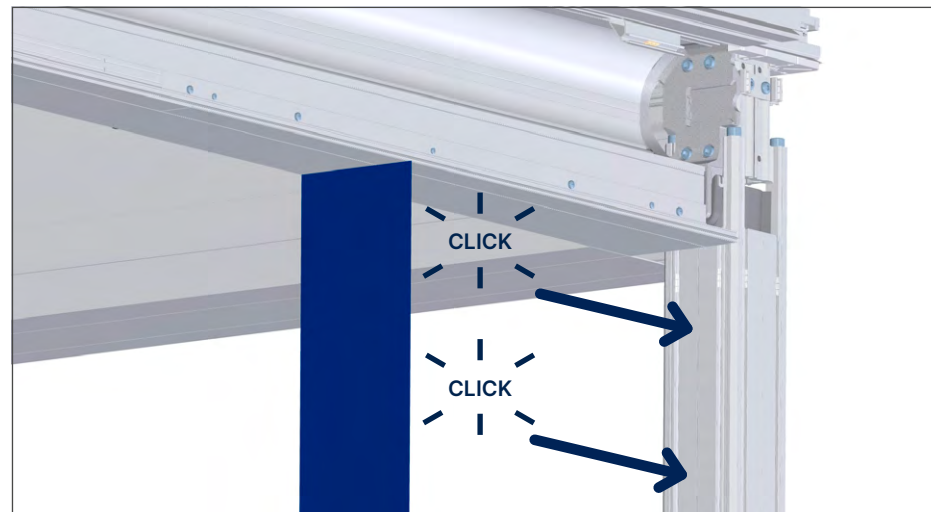
FIXED WALL WITH
DOOR - LINARTE

9.1 • Installation of the column cover plates

Door left



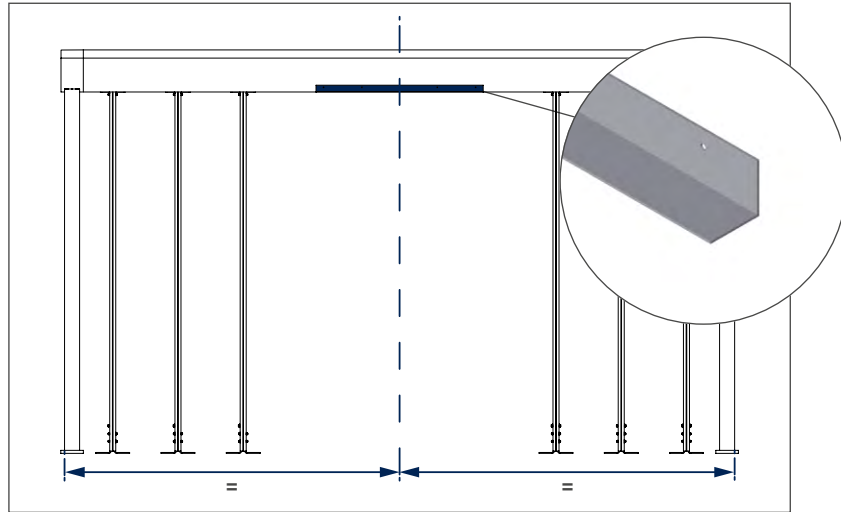
Door right



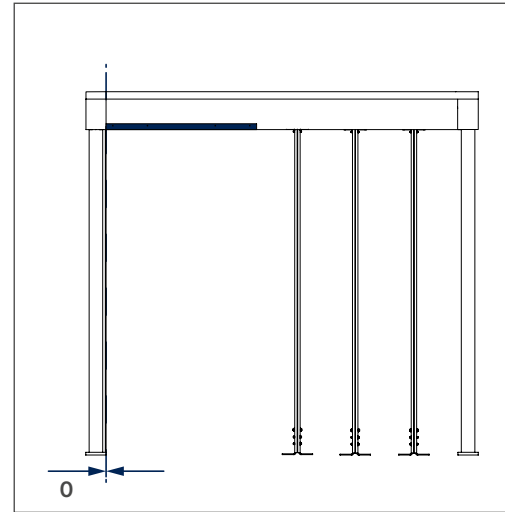
FIXED WALL WITH
DOOR - LINARTE

9.2 • Determining the position of the door

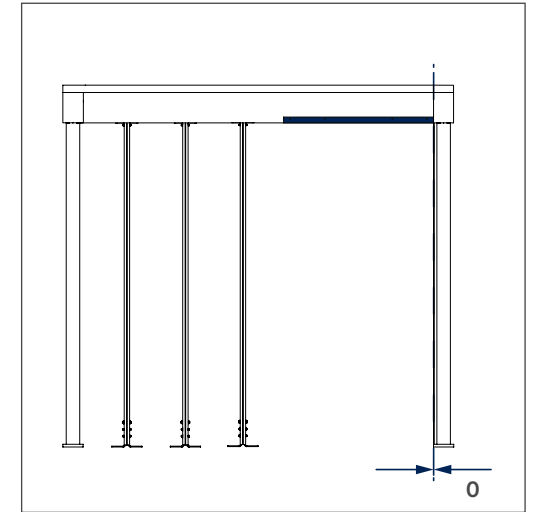
Door in the middle



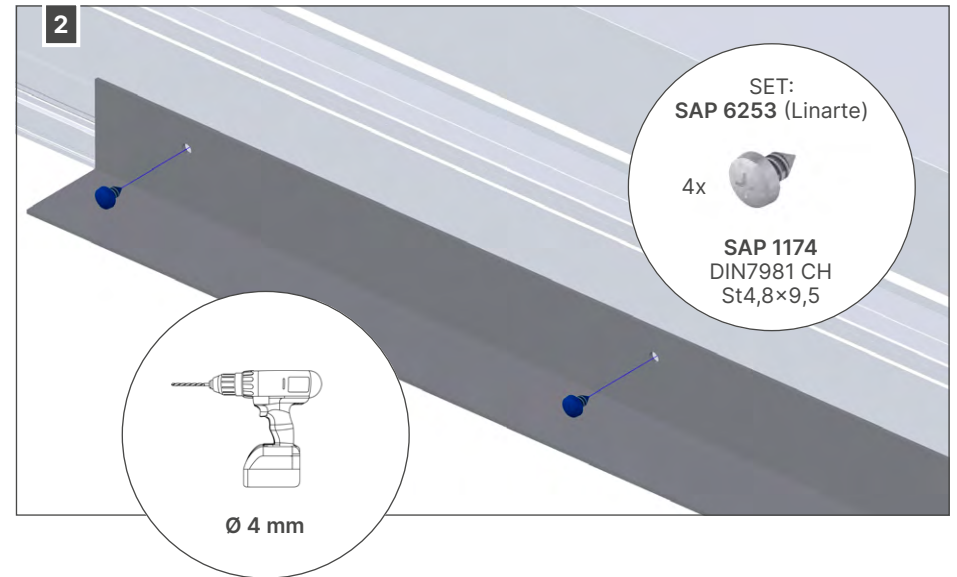
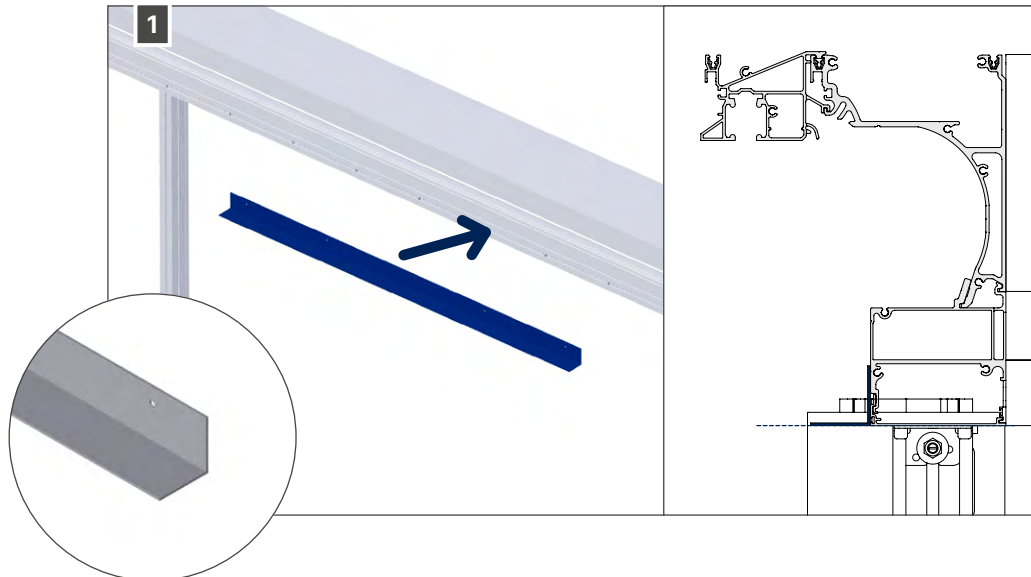
Door left



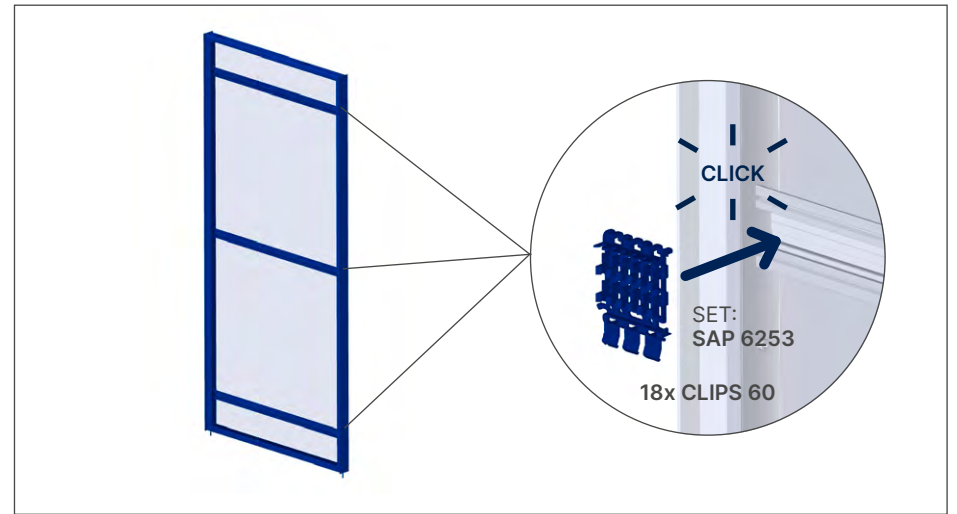
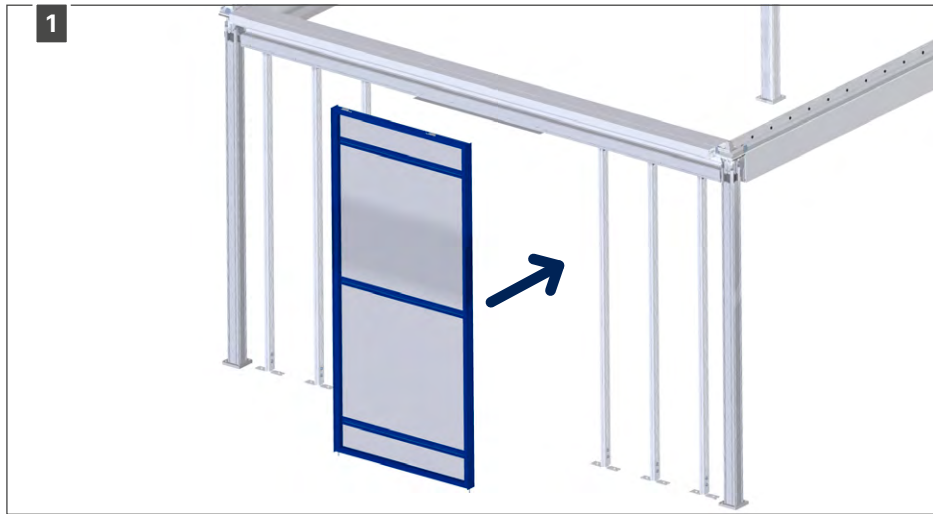
Door right



FIXED WALL WITH
DOOR - LINARTE

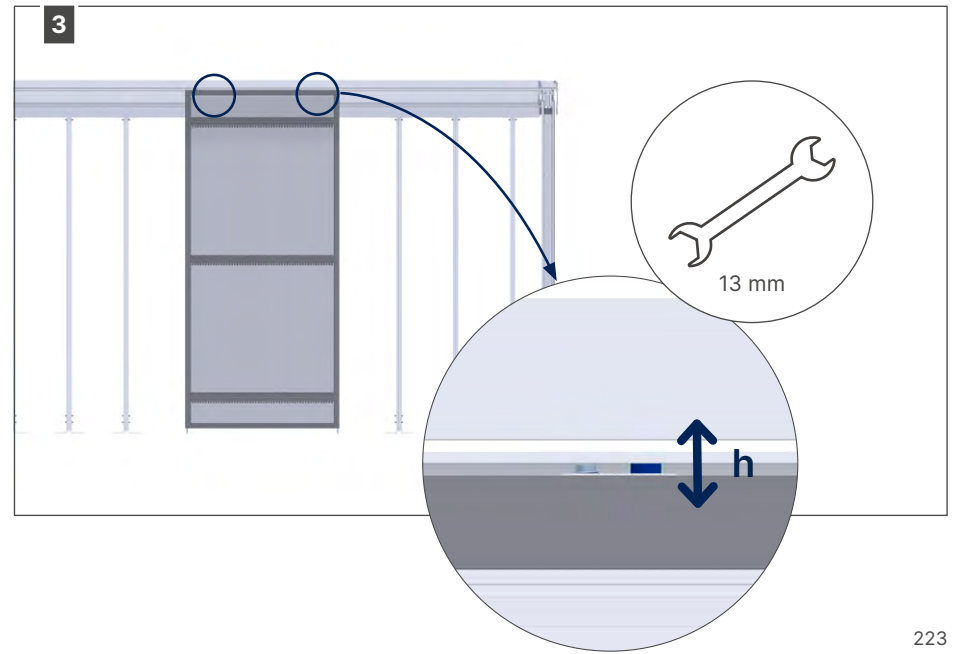


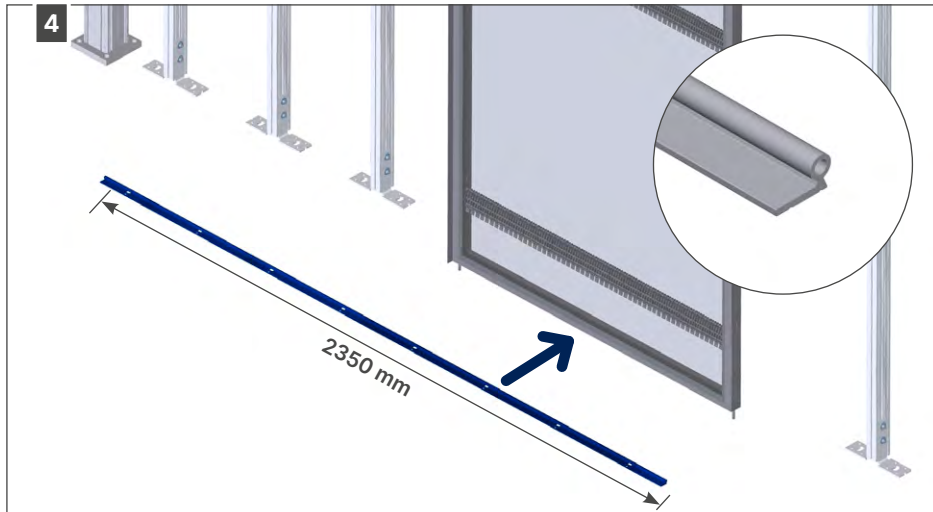
9.3 • Installation of the door frame



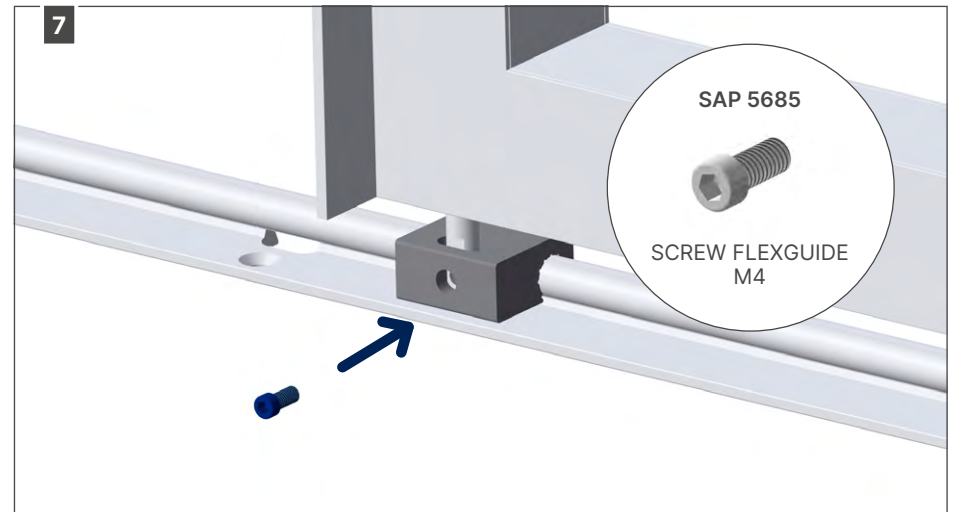
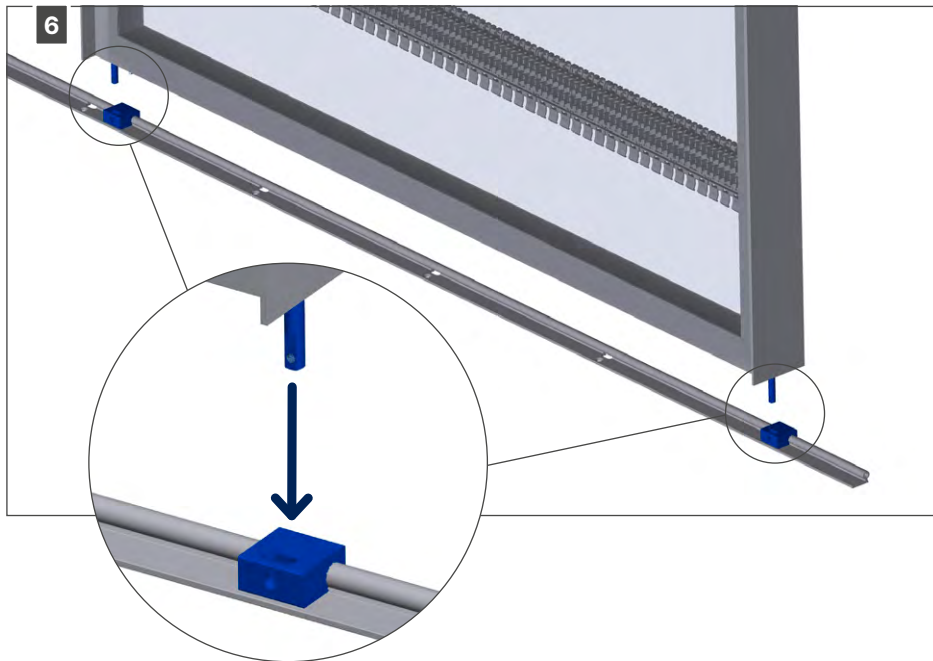
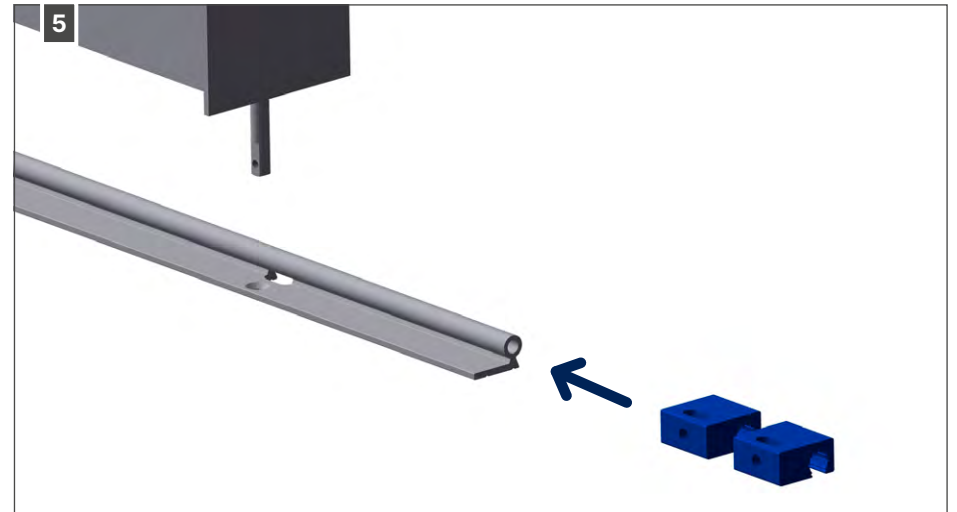
FIXED WALL WITH DOOR - LINARTE

Adjust the height of the door

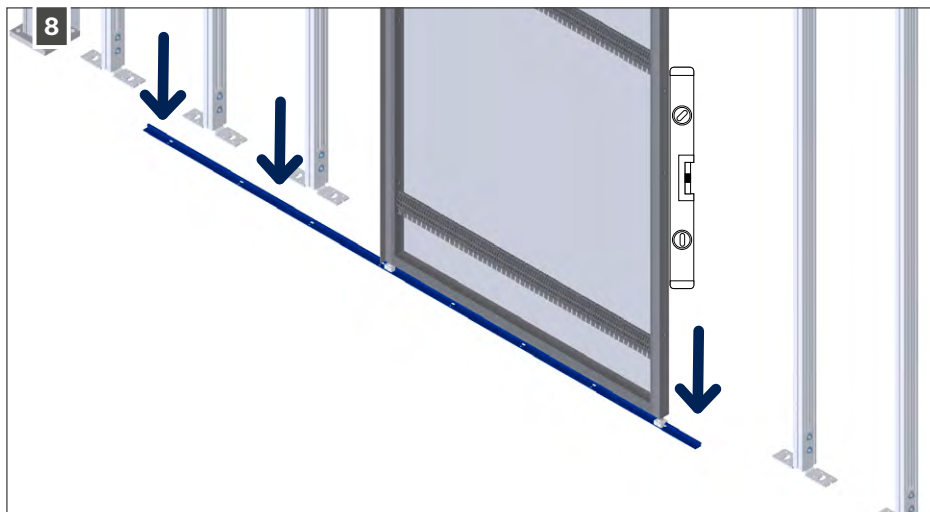




Only positioning; not screwing



FIXED WALL WITH DOOR - LINARTE

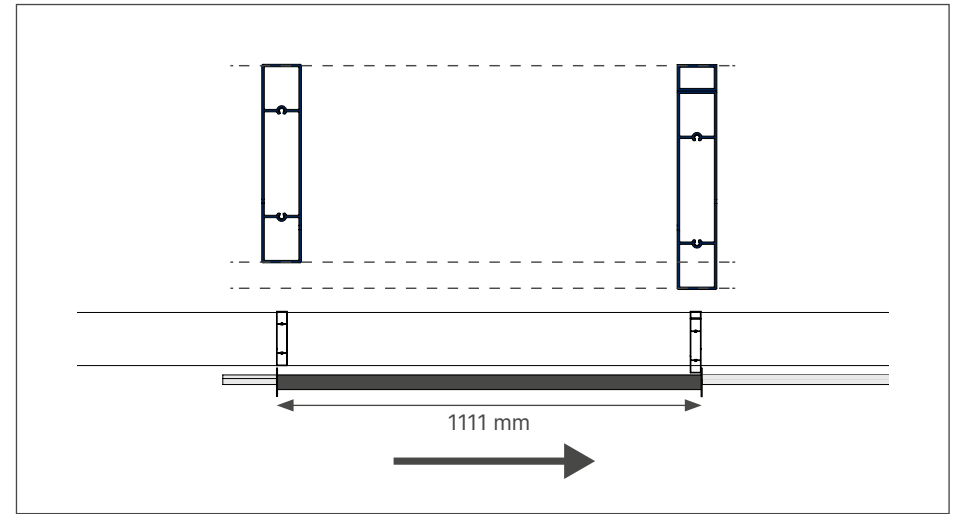
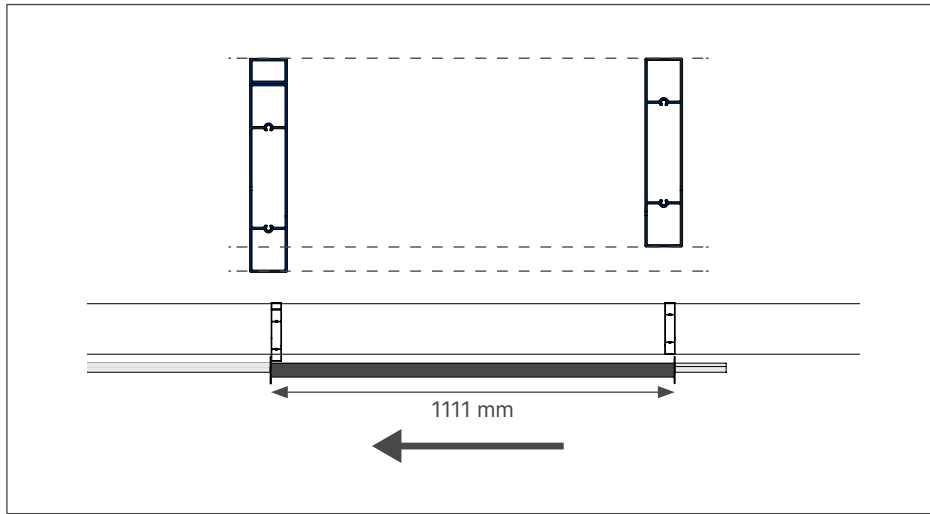


Secure the bottom rail. Use screws that are suitable for the surface, e.g. DIN 7982 CH - ST4.2×13 (not supplied).

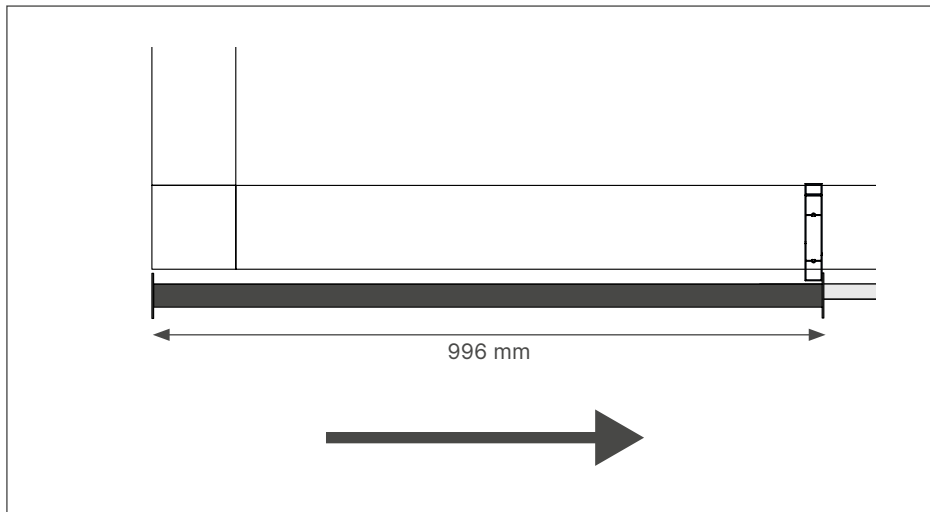
9.4 • Installation of the door frames



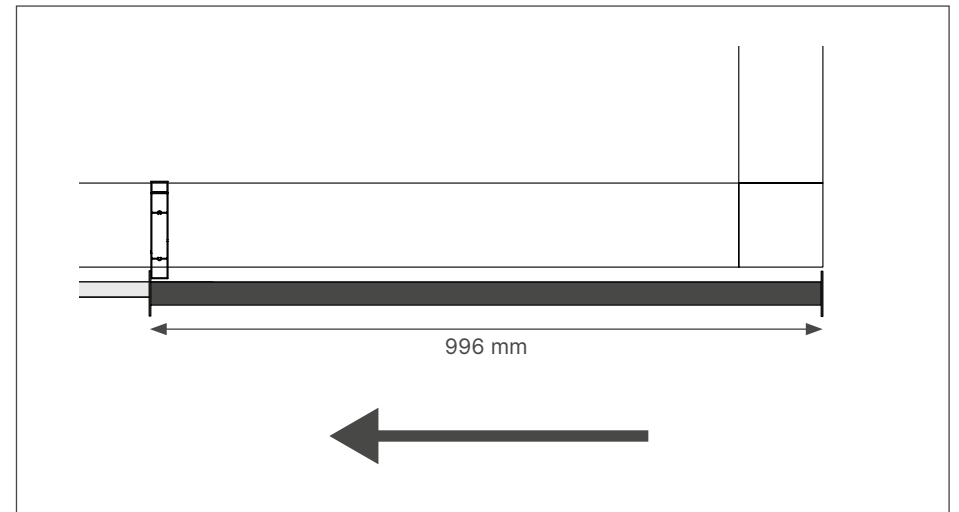
Door in the middle



Door left

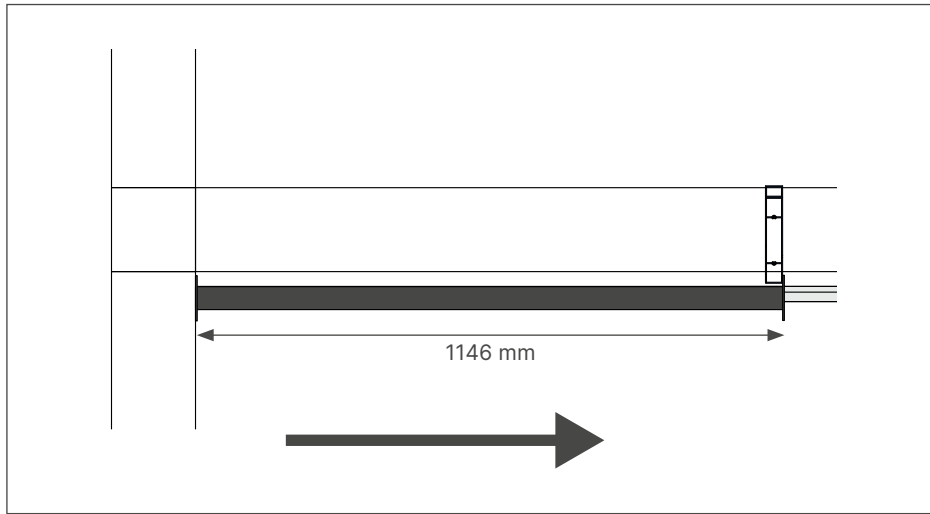


Door right



FIXED WALL WITH
DOOR - LINARTE

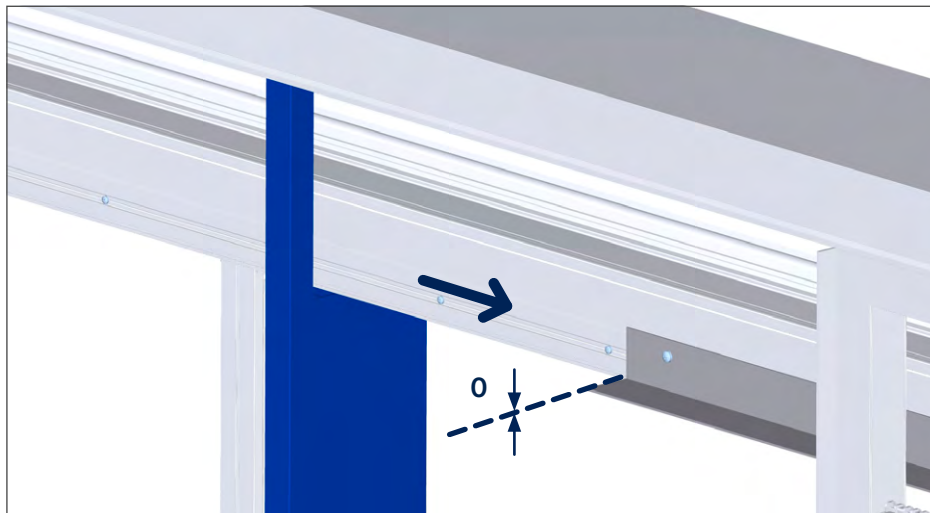
Door below the joining beam left



Door below the joining beam right

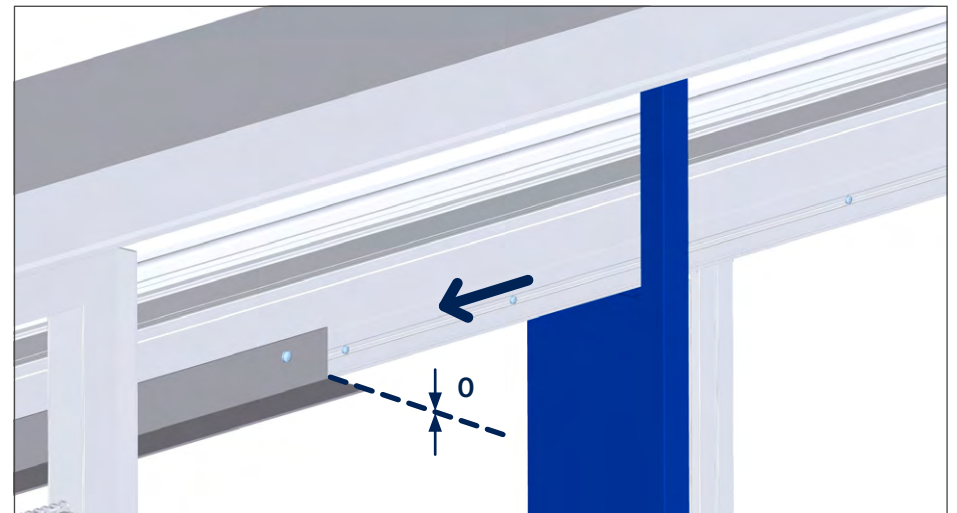


Left side of the door



Only positioning; not screwing

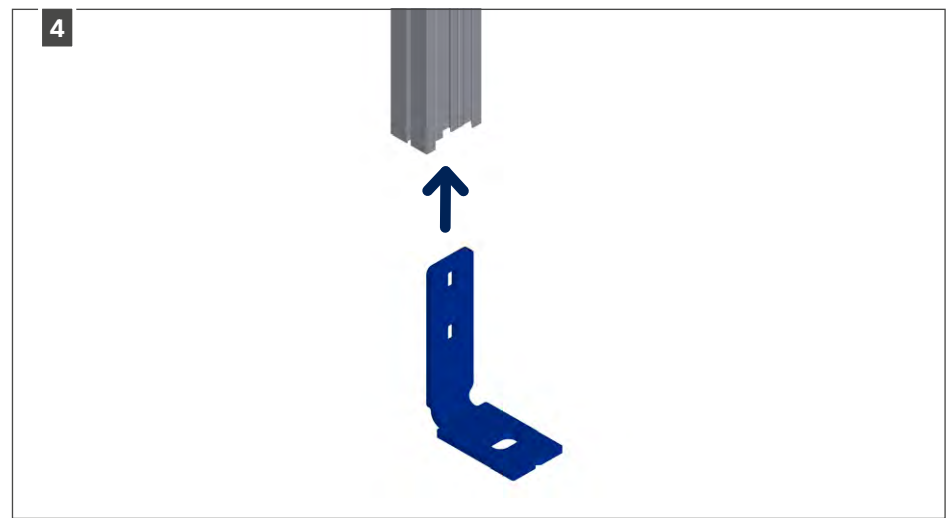
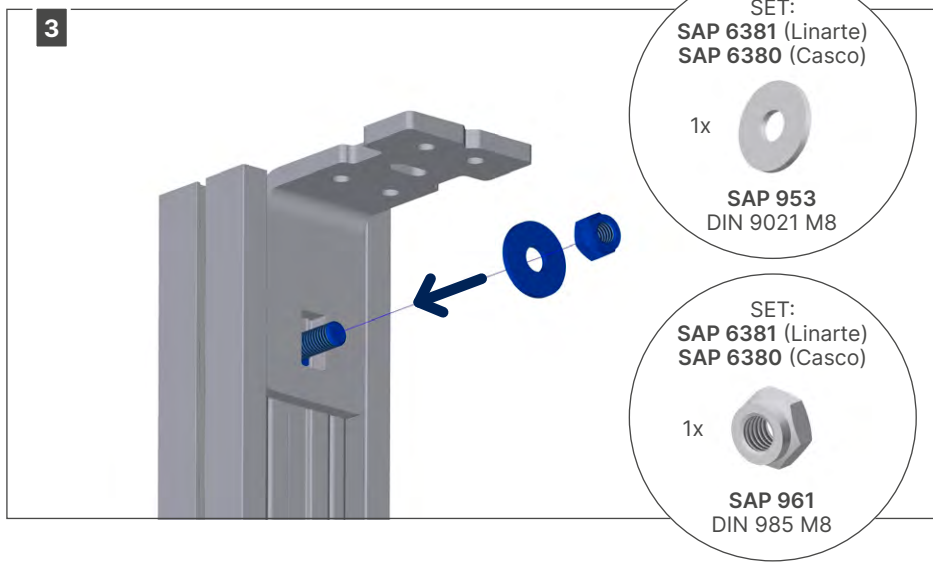
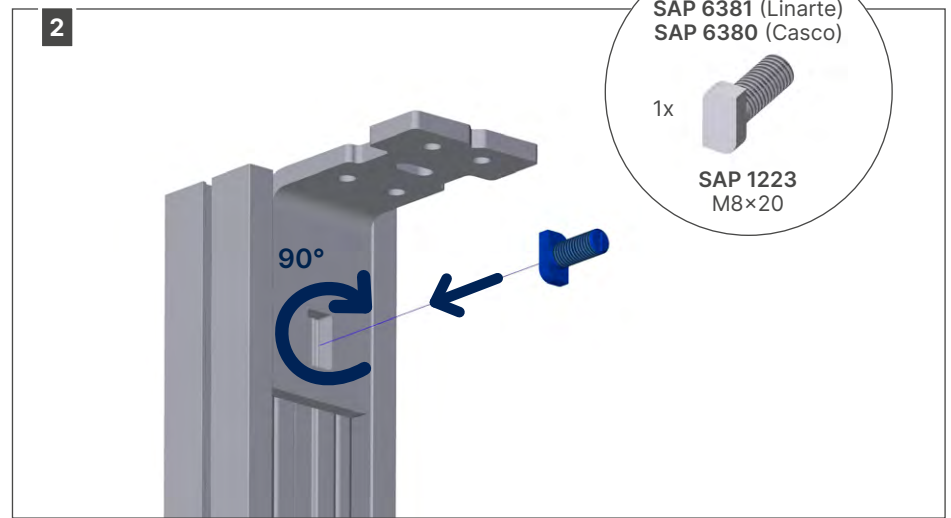
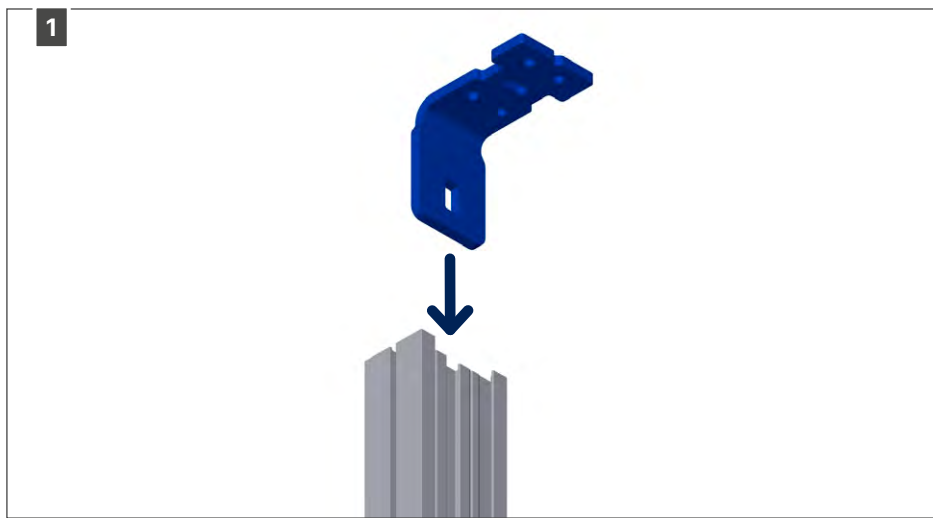
Right side of the door



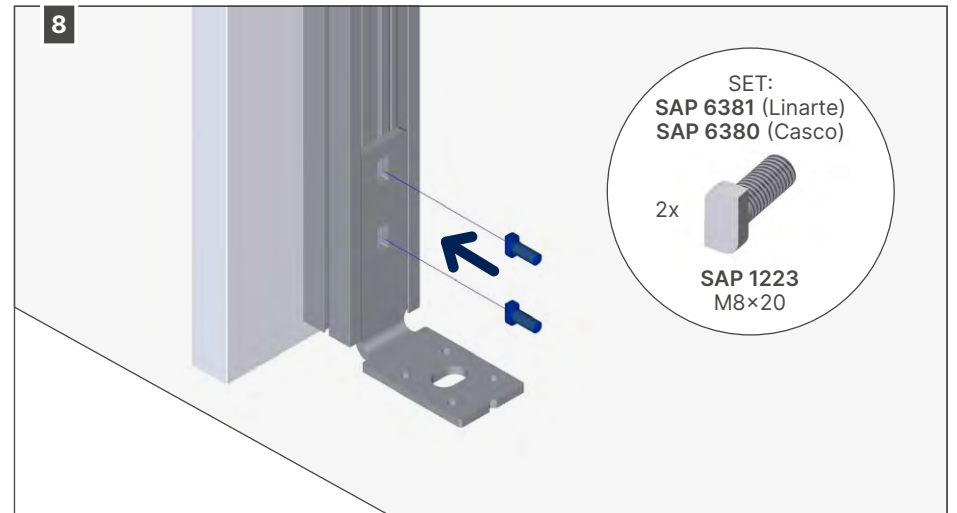
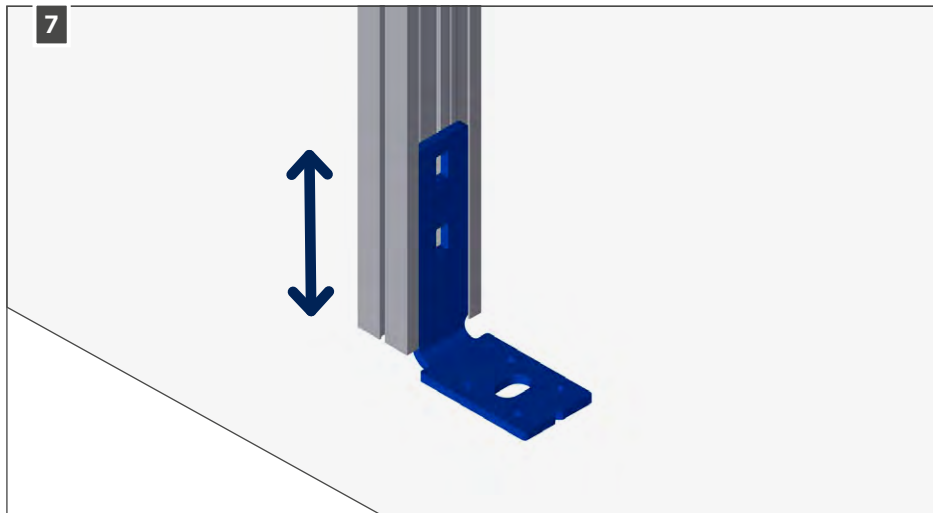
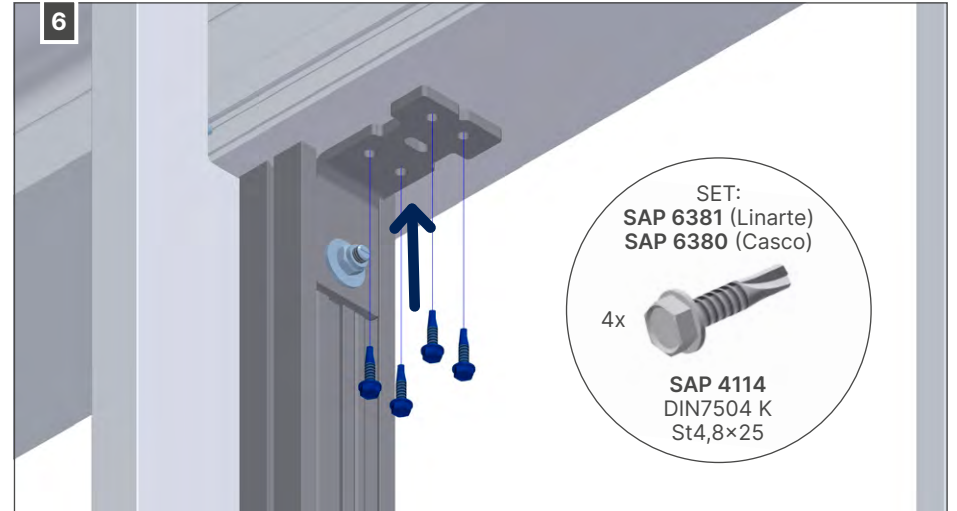
Only positioning; not screwing

FIXED WALL WITH DOOR - LINARTE

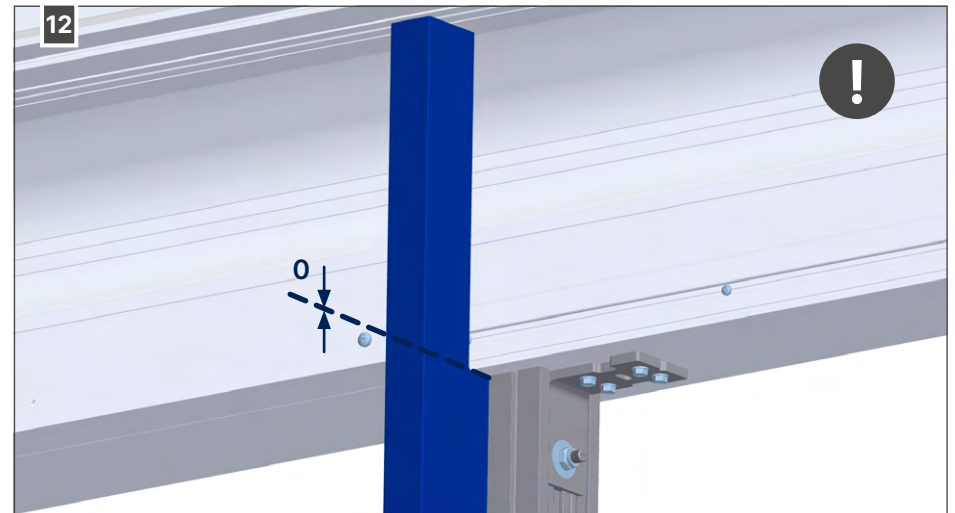
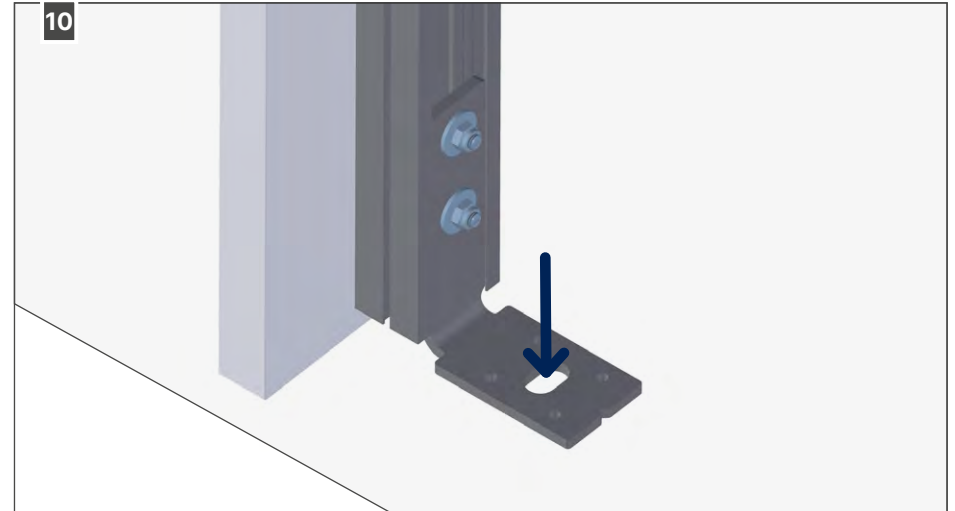
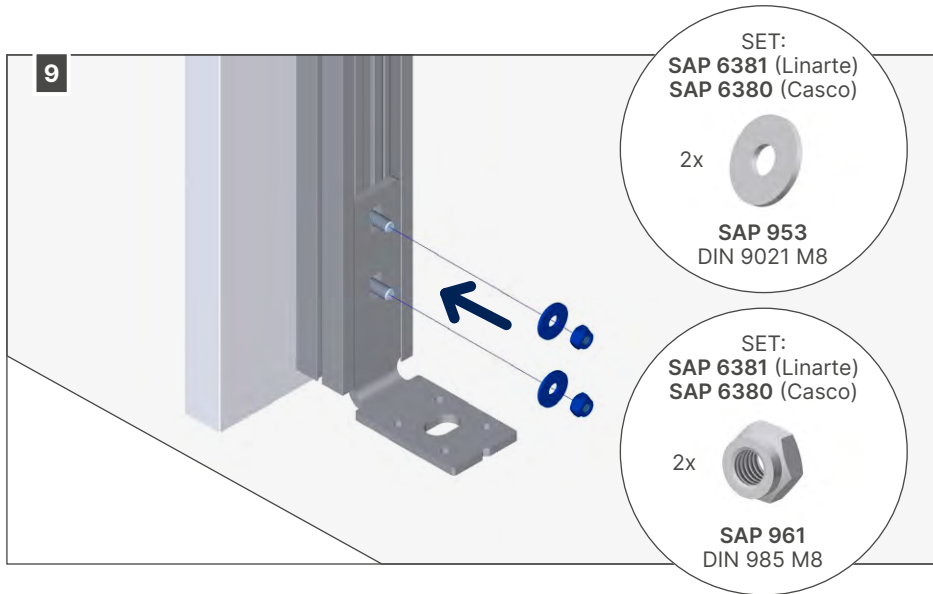
9.5 • Installation of the support posts on the door frames



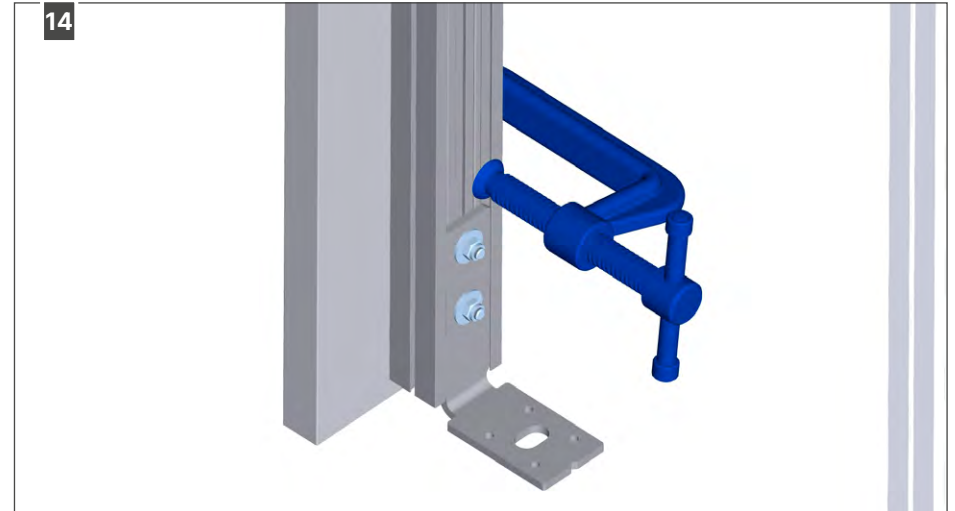
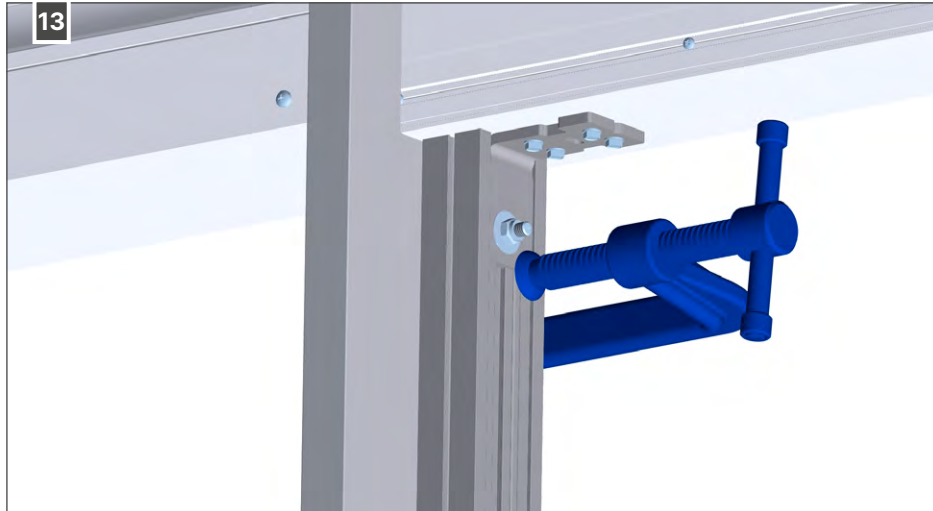
FIXED WALL WITH
DOOR - LINARTE



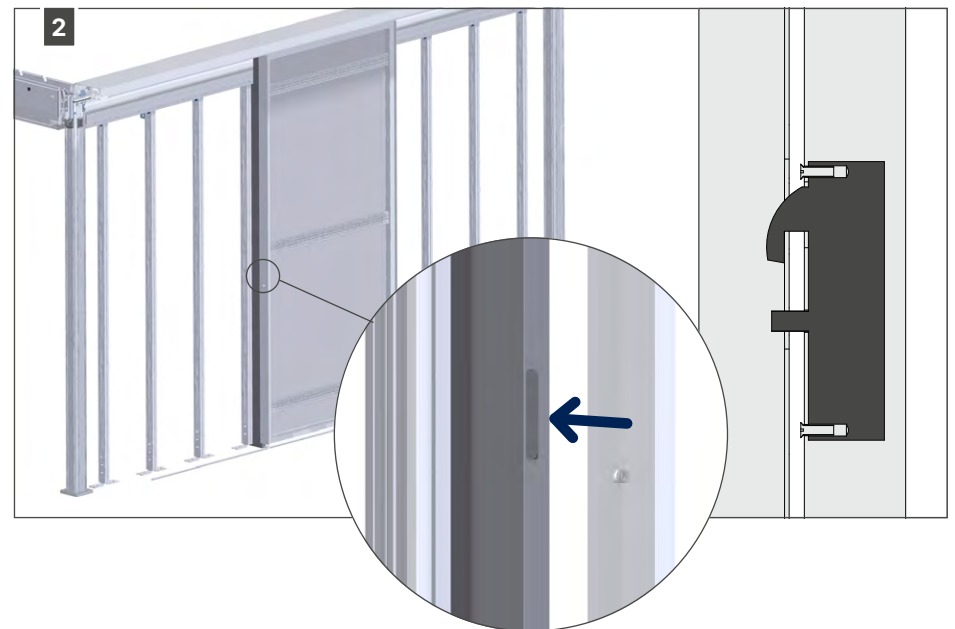
FIXED WALL WITH
DOOR - LINARTE



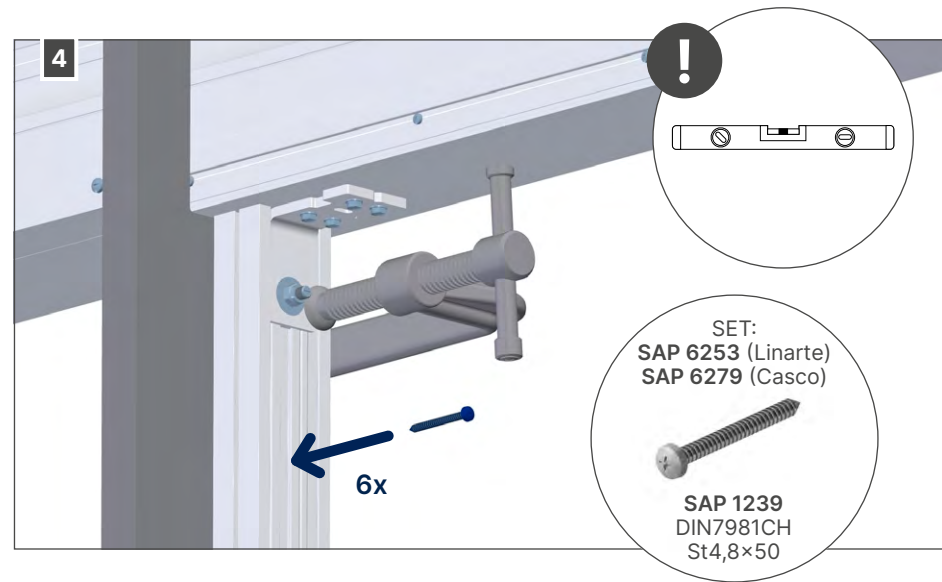
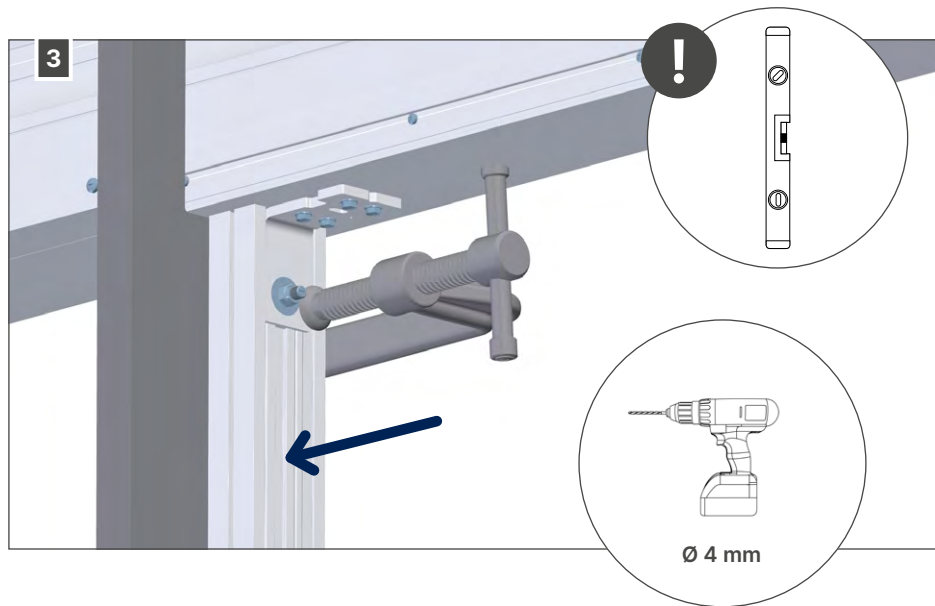
FIXED WALL WITH
DOOR - LINARTE



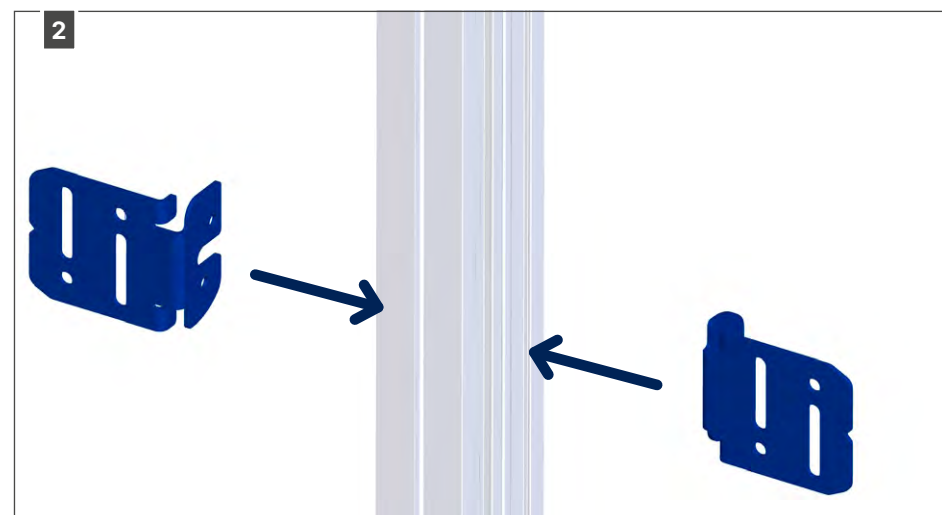
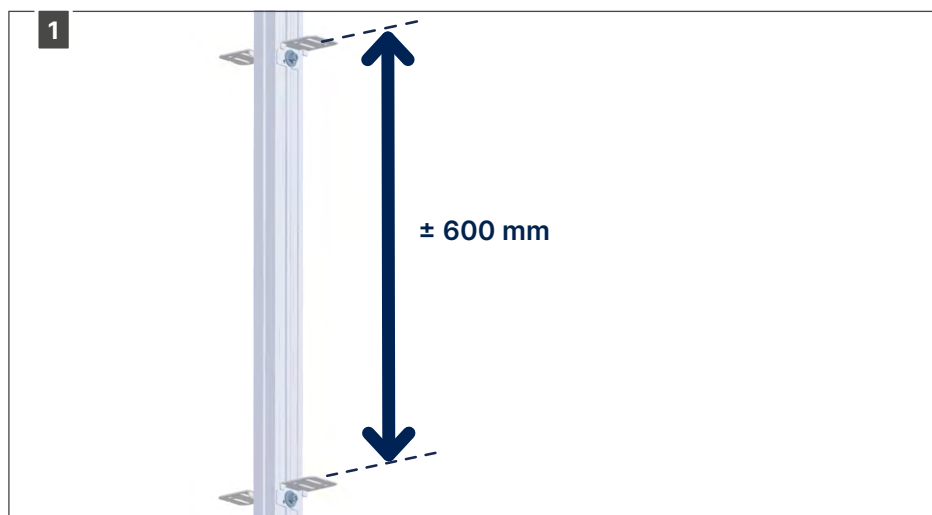
9.6 • Installation of the door lock



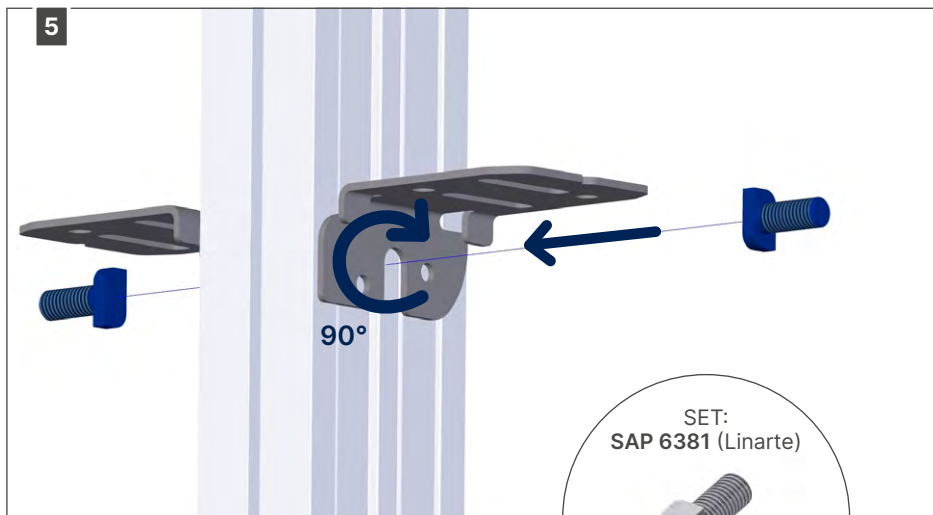
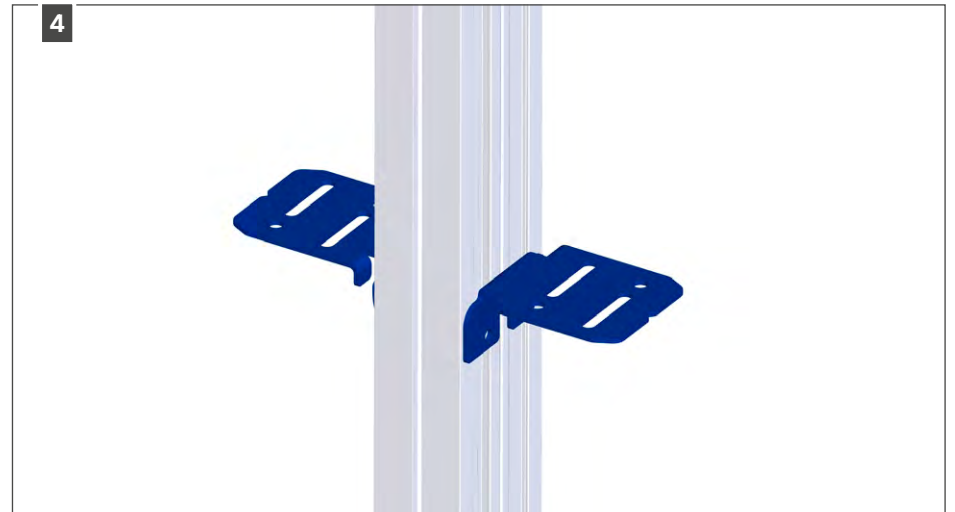
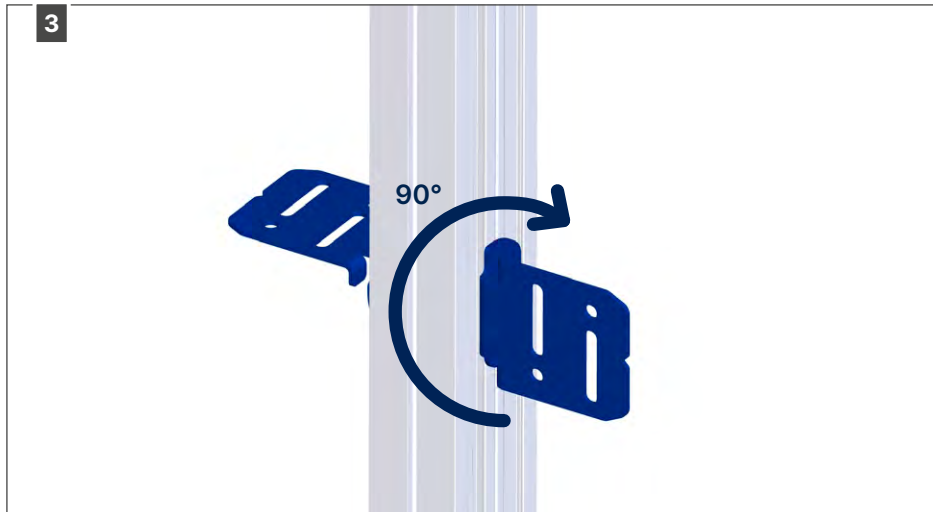
FIXED WALL WITH
DOOR - LINARTE



9.7 • Installation of unfinished brackets between the support posts



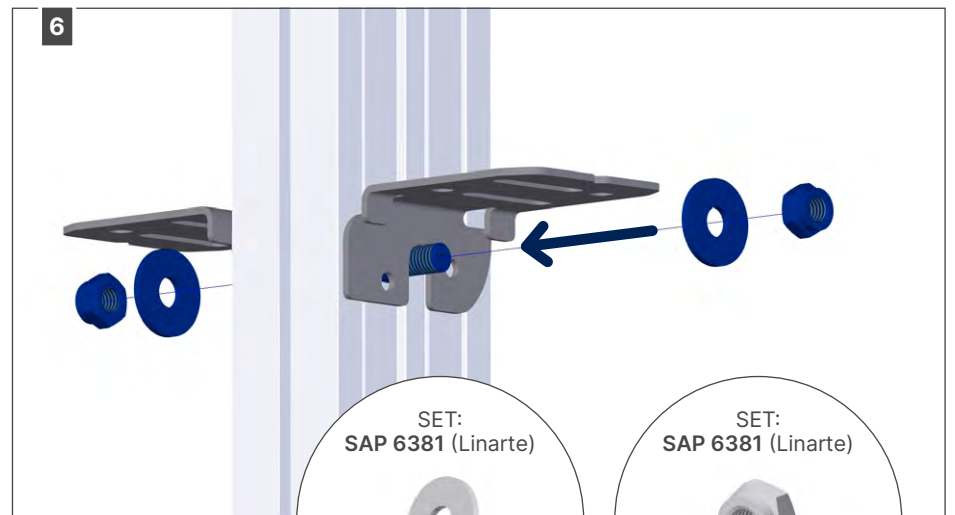
FIXED WALL WITH
DOOR - LINARTE



SET:
SAP 6381 (Linarte)

2x

SAP 1223
M8x20



SET:
SAP 6381 (Linarte)

2x

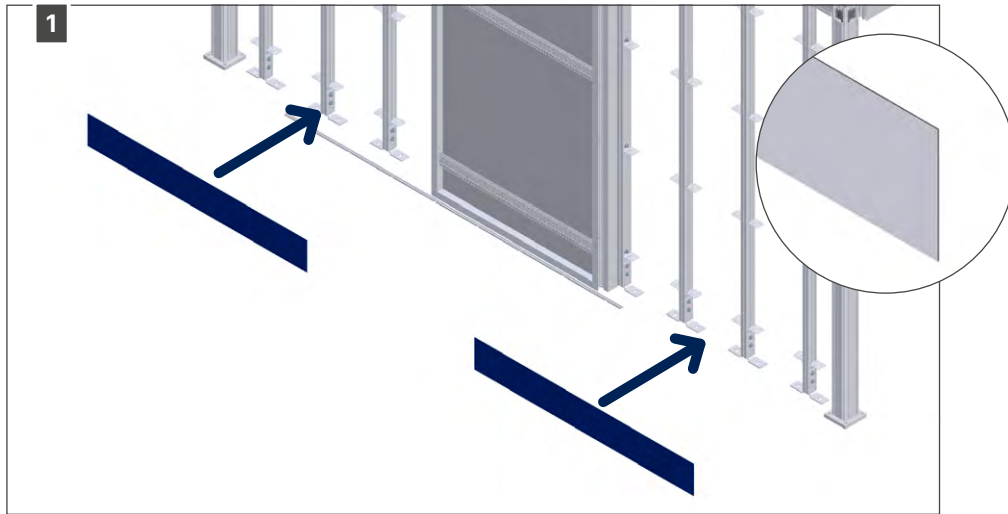
SAP 953
DIN 9021 M8

SET:
SAP 6381 (Linarte)

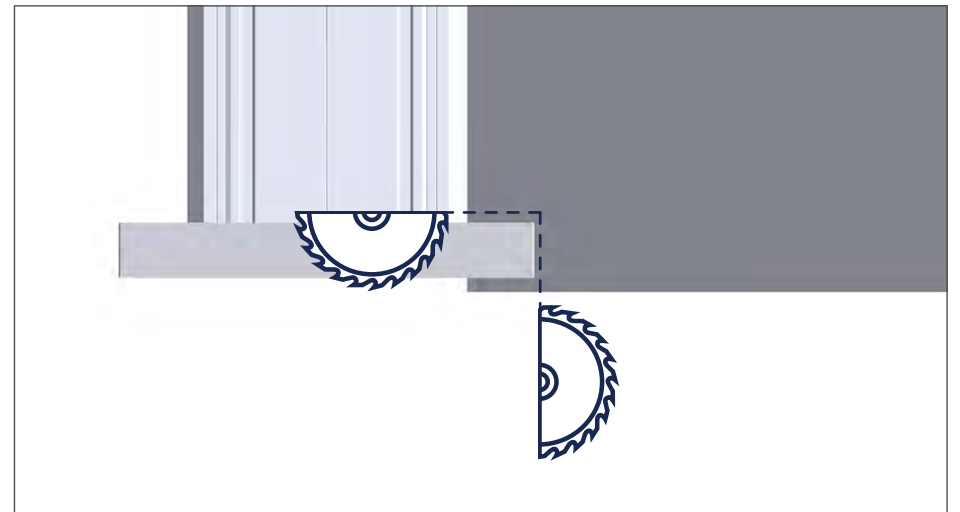
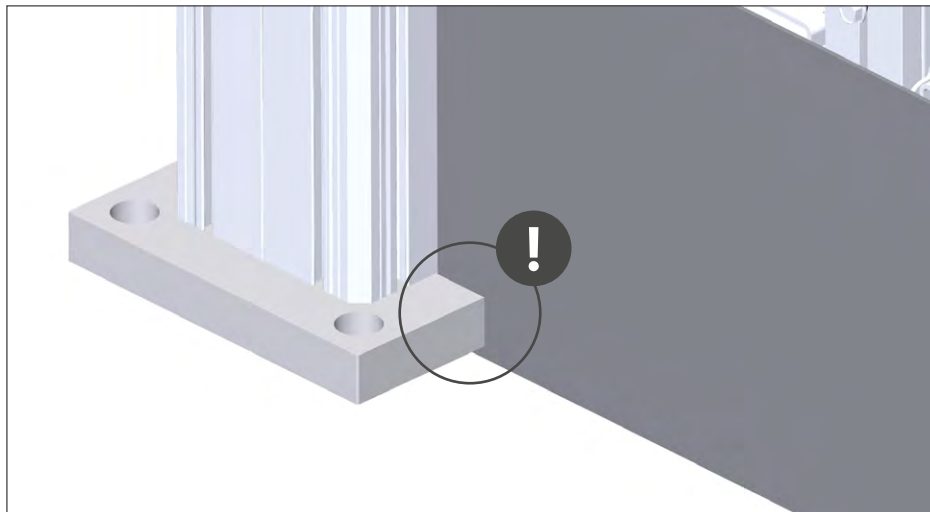
2x

SAP 961
DIN 985 M8

9.8 • Installation of the plinth(s)

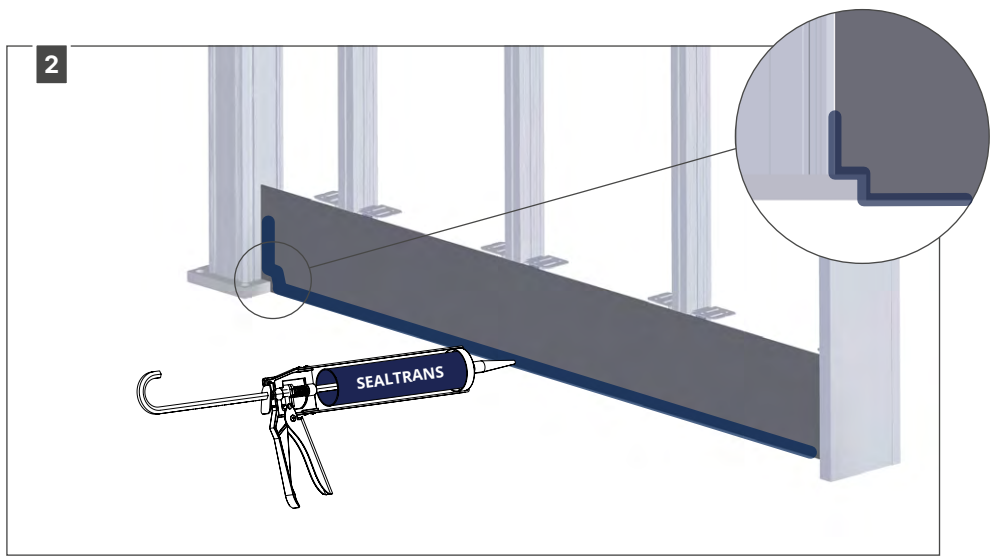
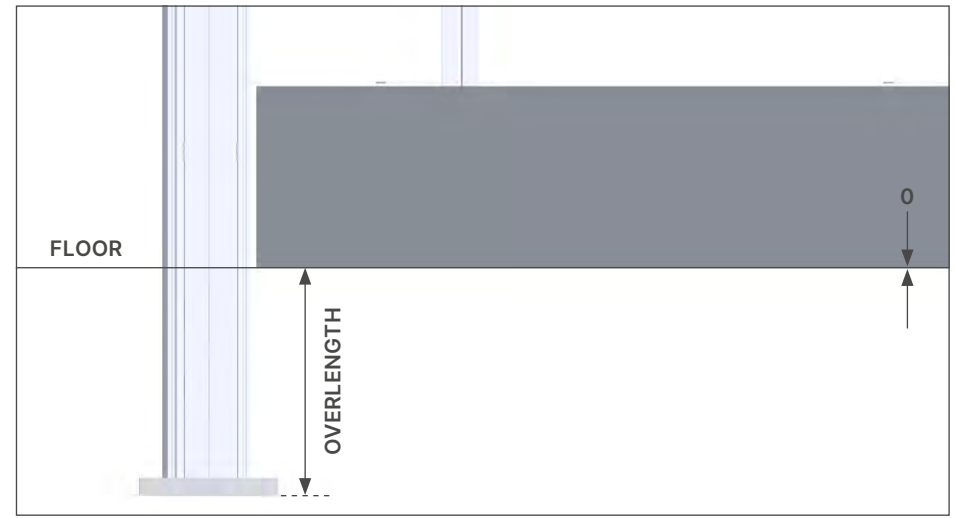
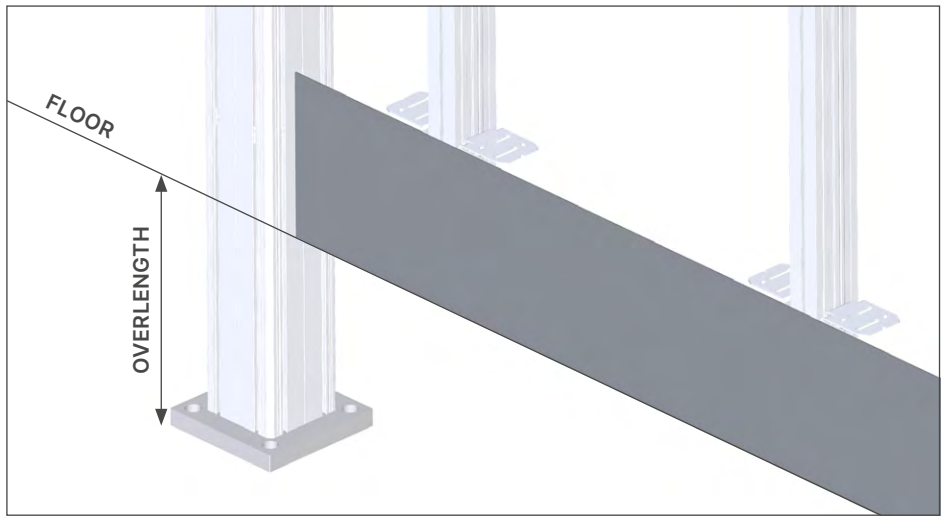


Option 1: for a column without overlength



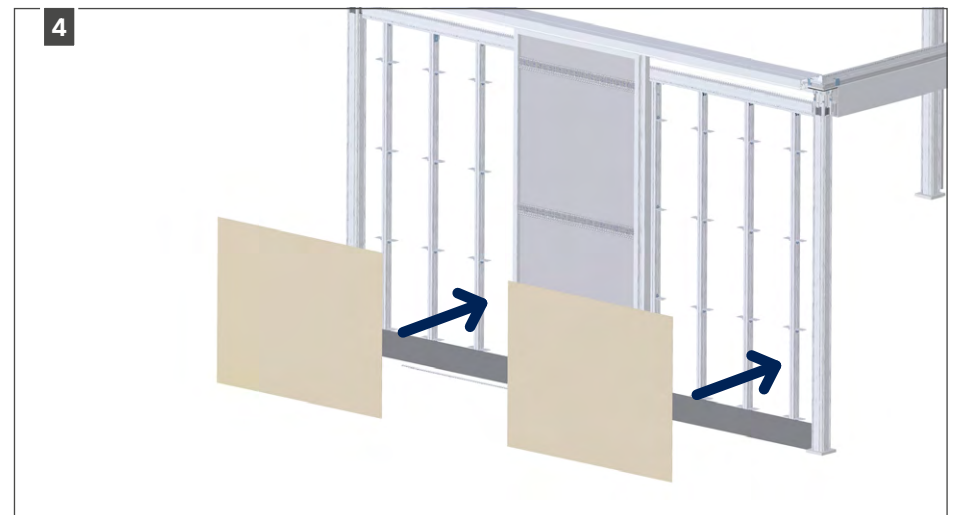
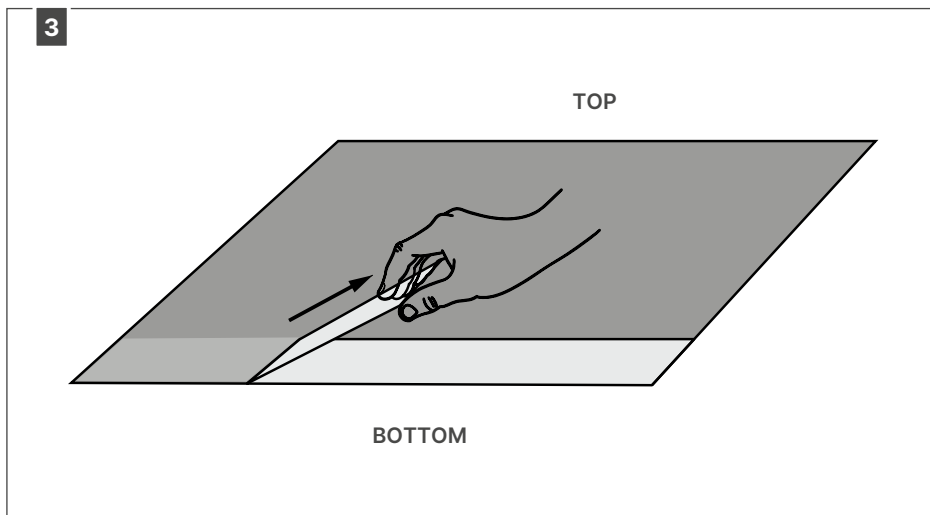
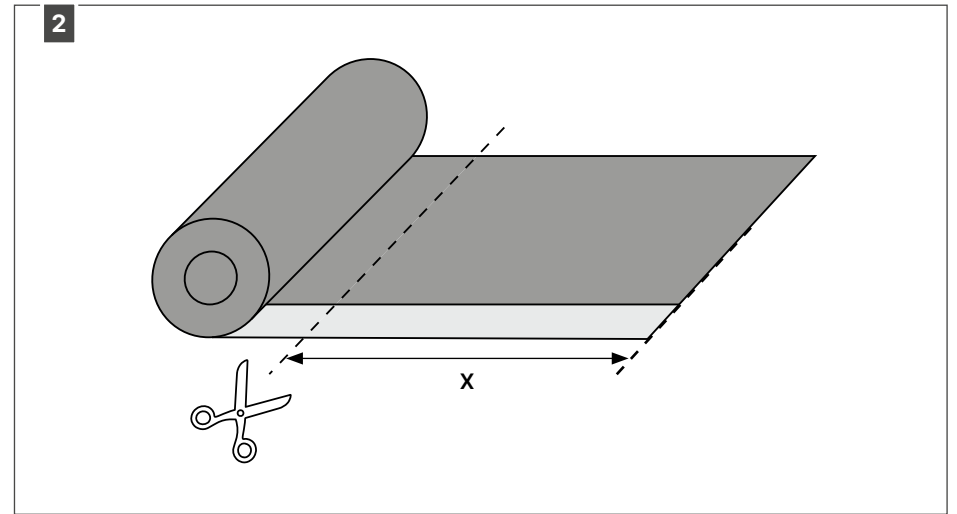
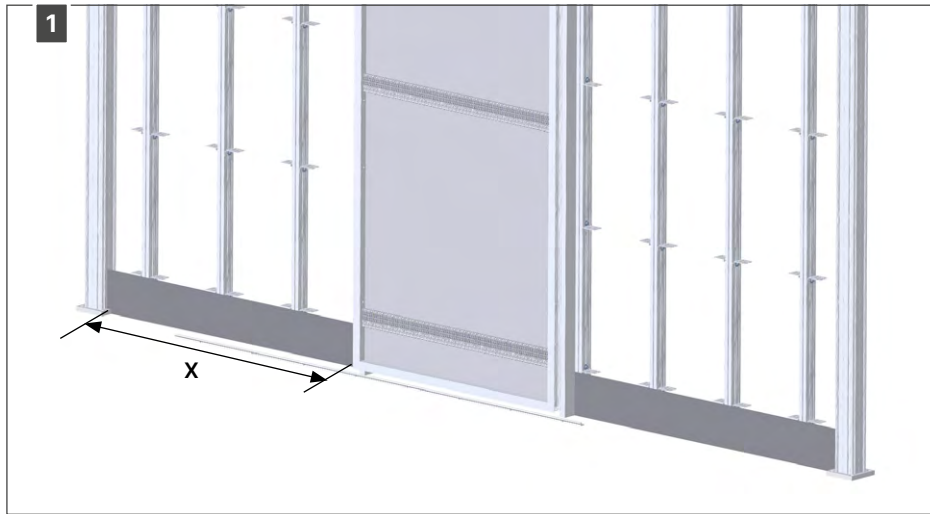
FIXED WALL WITH
DOOR - LINARTE

Option 2: for a column with overlength

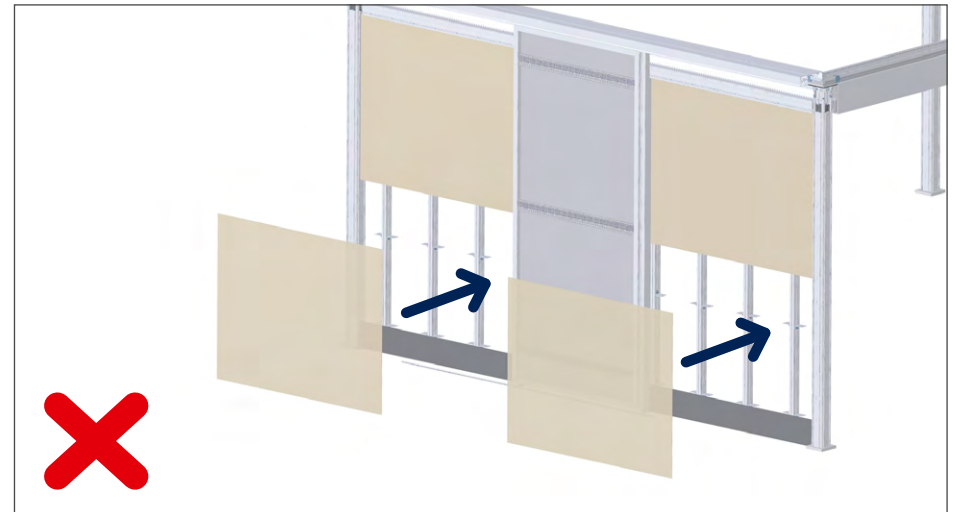
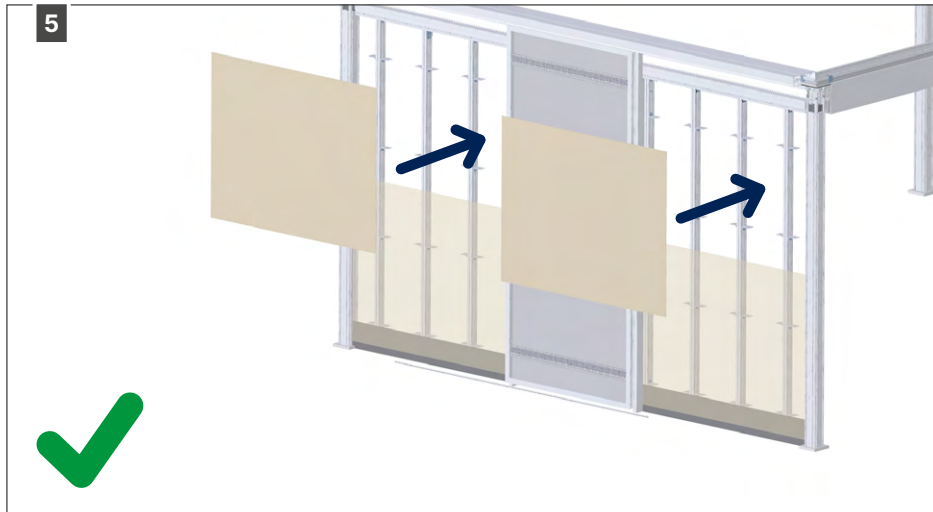


FIXED WALL WITH
DOOR - LINARTE

9.9 • Installation of the vapor barrier



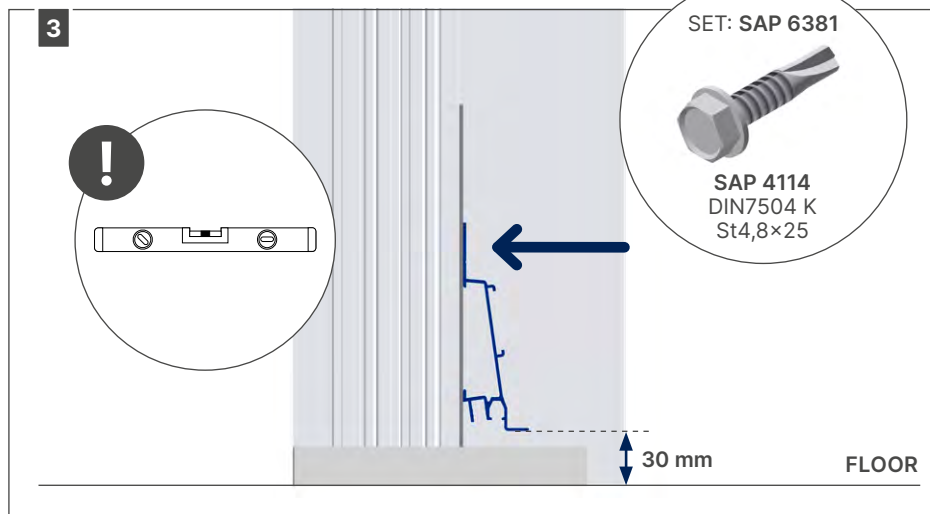
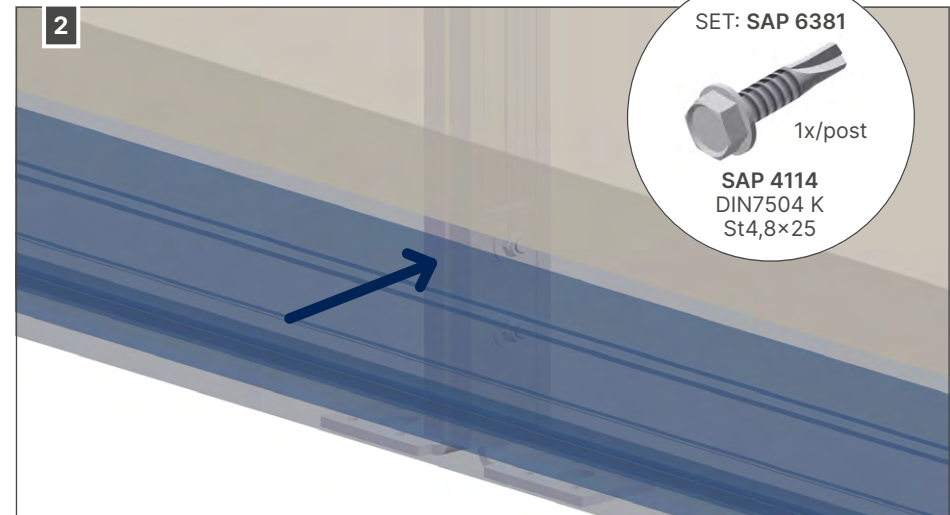
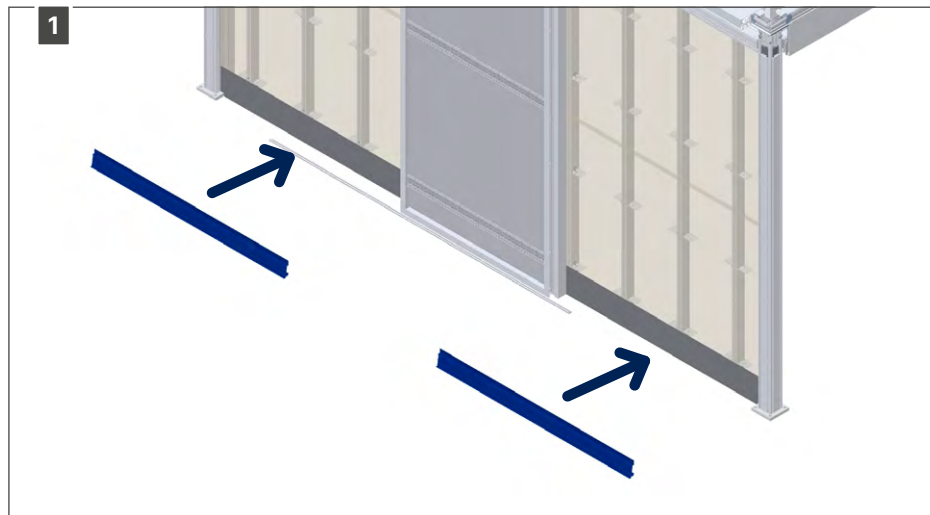
FIXED WALL WITH DOOR - LINARTE



Let the vapor barrier overlap

FIXED WALL WITH
DOOR - LINARTE

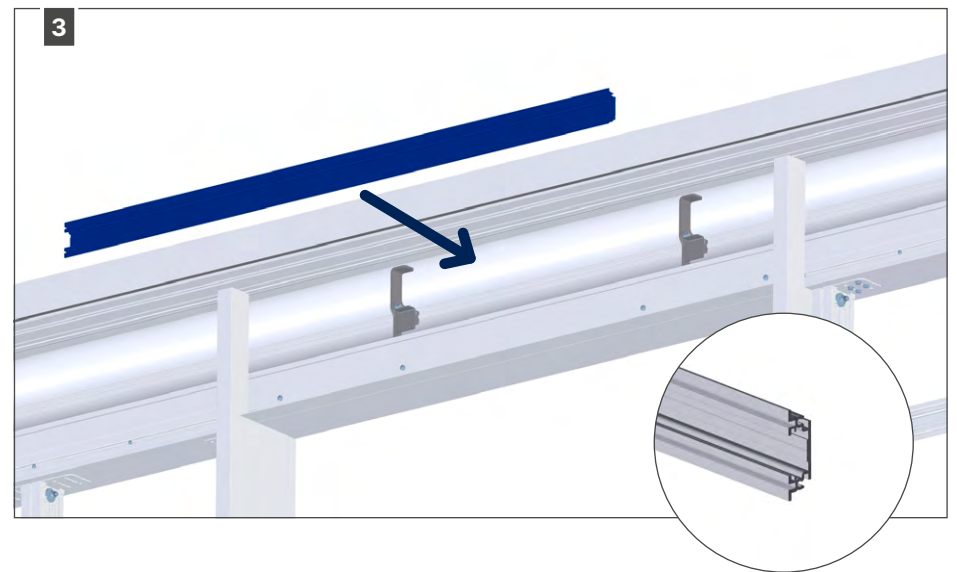
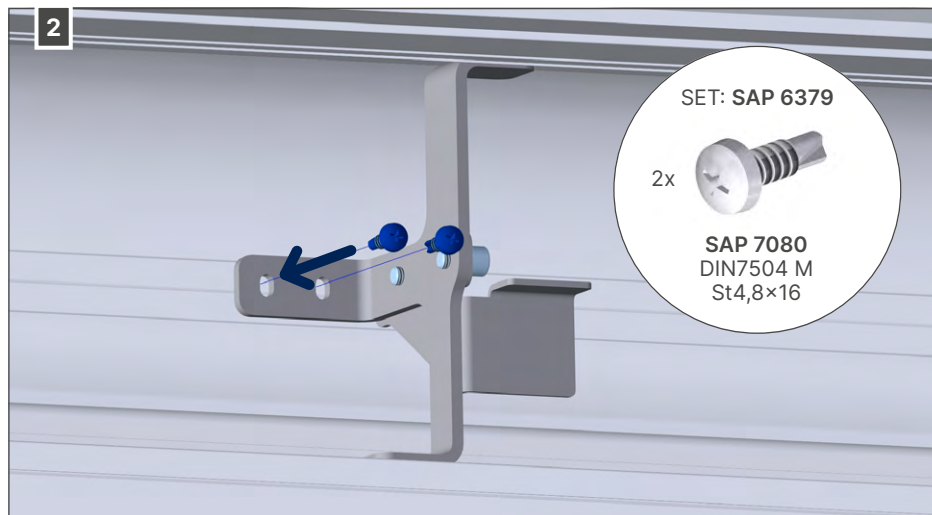
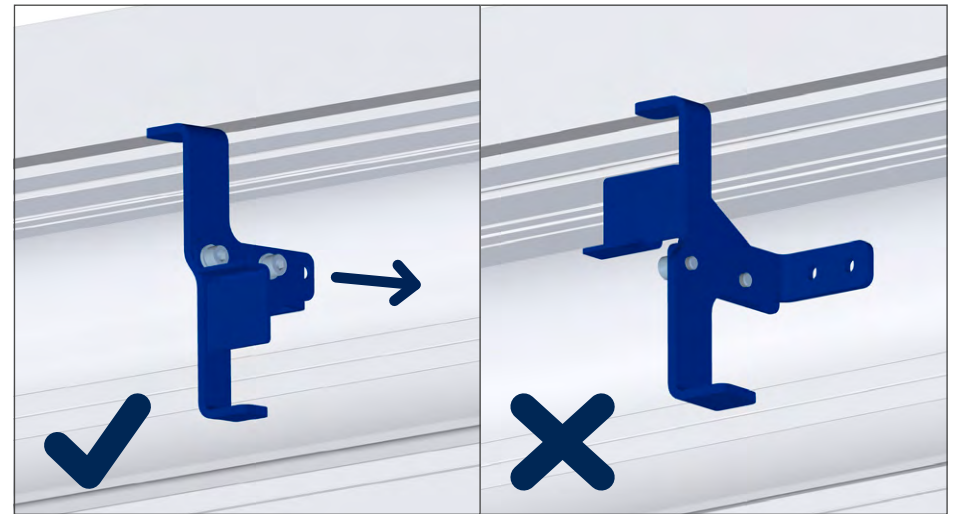
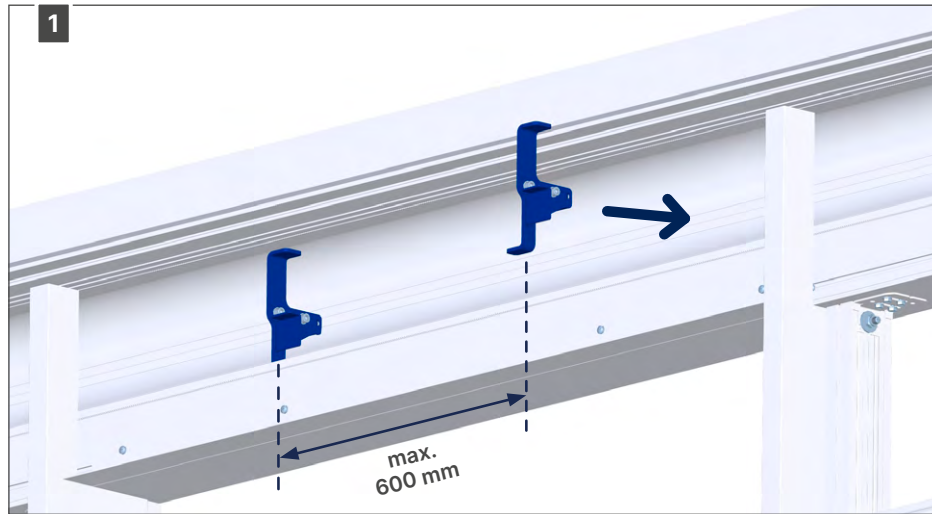
9.10 • Installation of the Linarte support profile



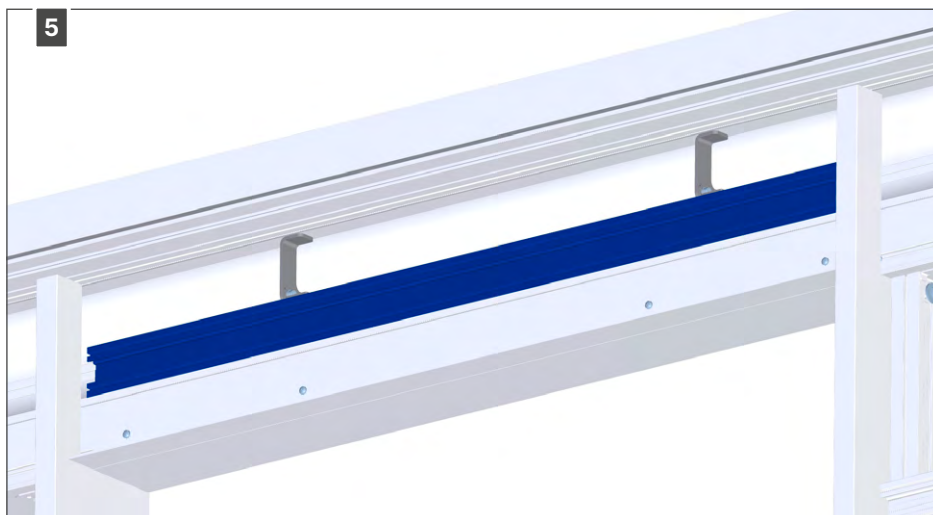
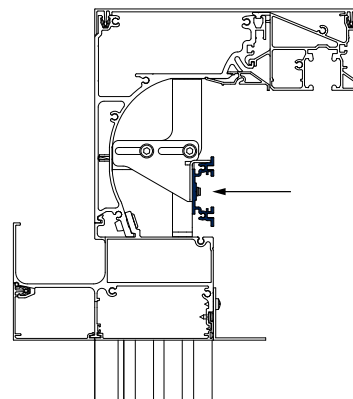
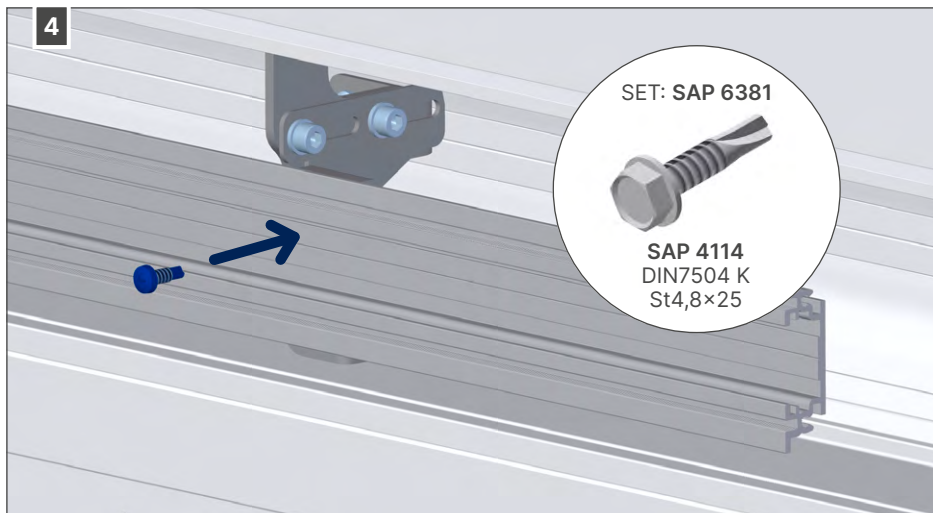
The support profile must be level. If the slope is slanted, the support profile must hang at least 30 mm from the floor.

FIXED WALL WITH DOOR - LINARTE

9.11 • Installation of the brackets above the Linarte door opening

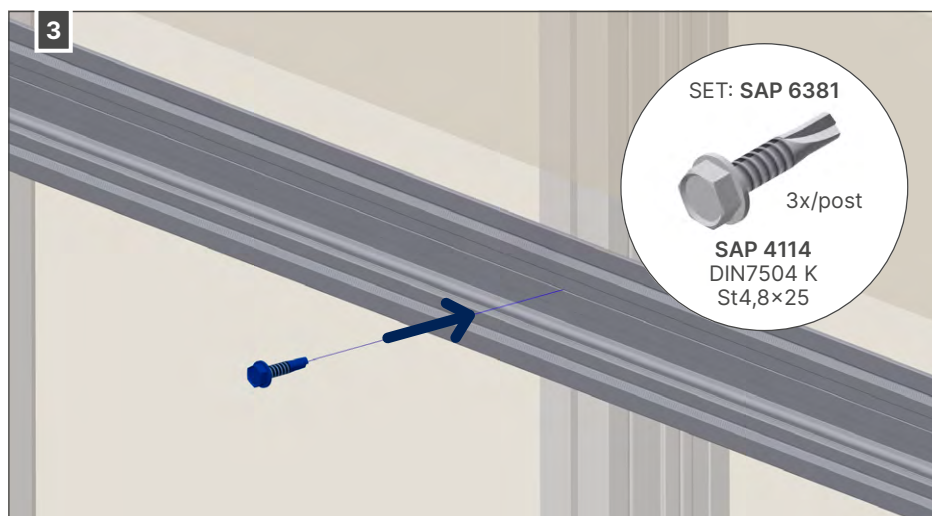
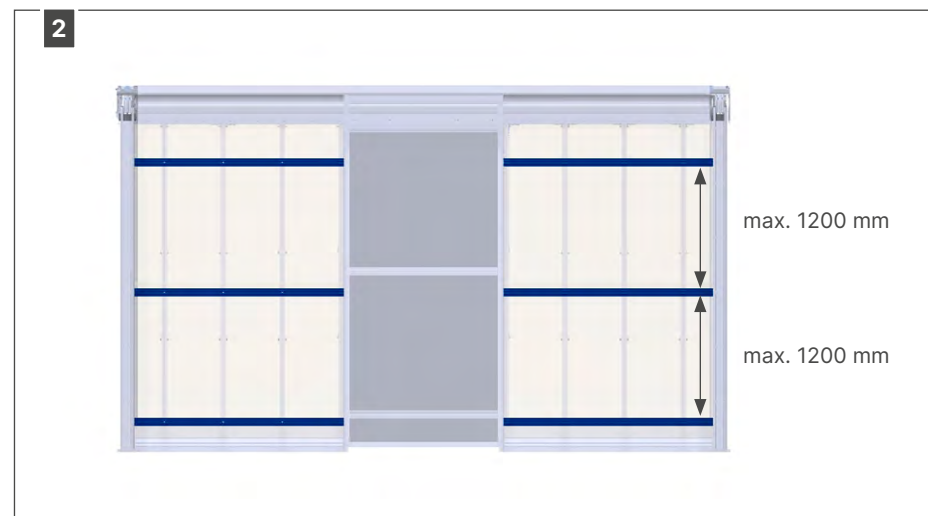
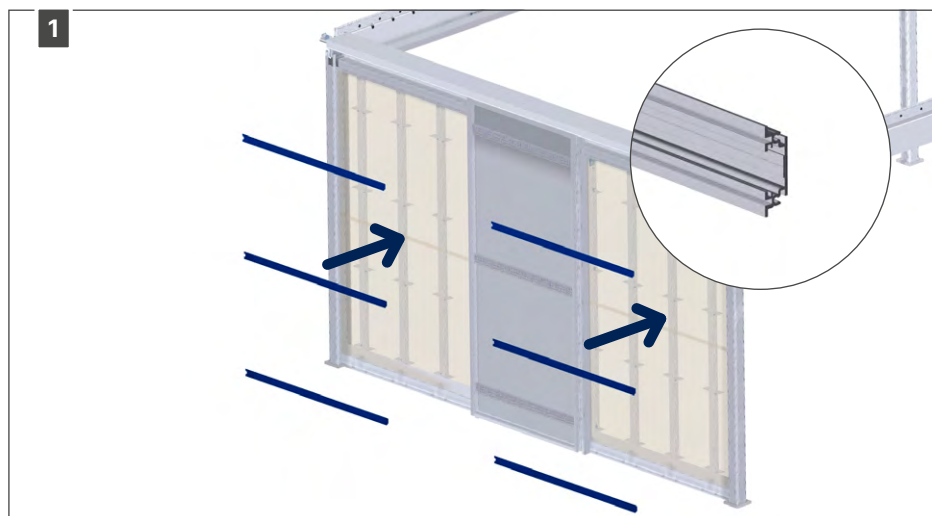


FIXED WALL WITH
DOOR - LINARTE



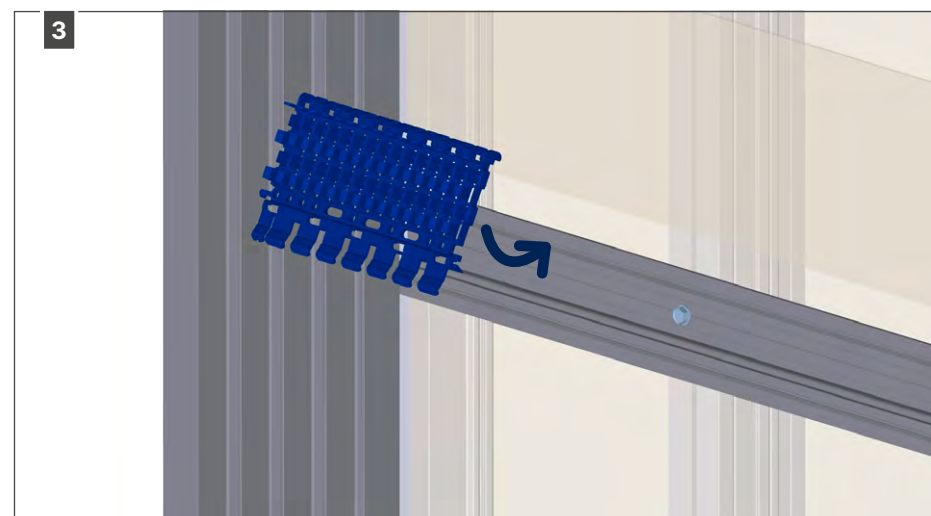
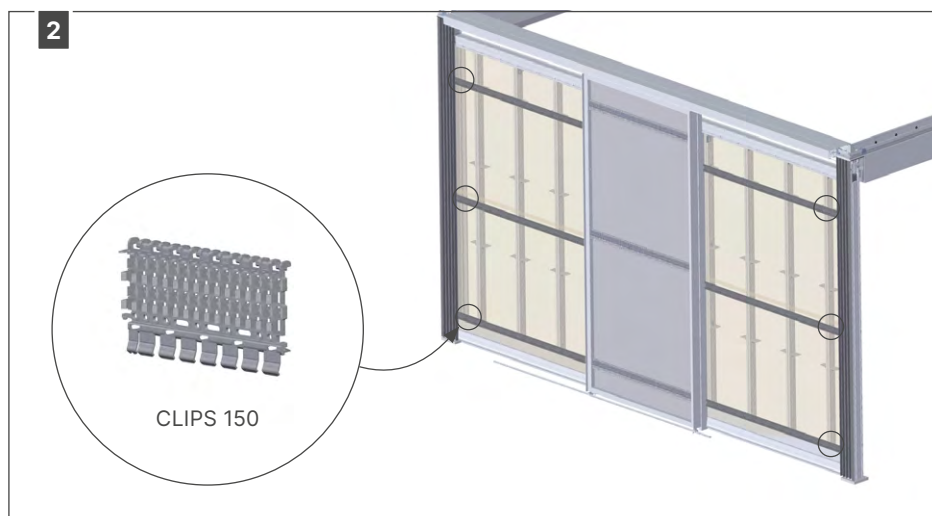
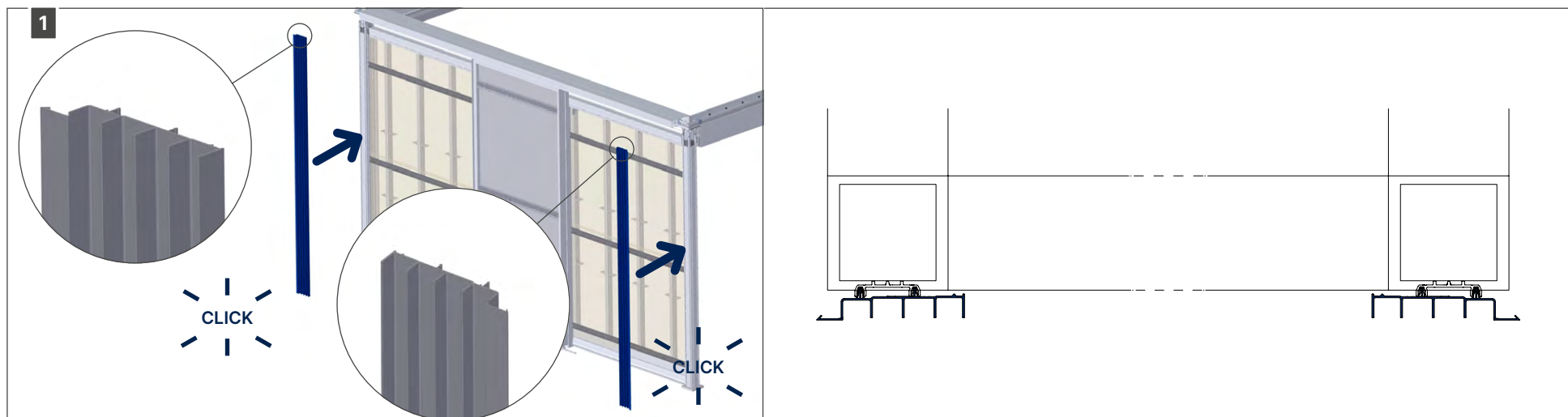
FIXED WALL WITH
DOOR - LINARTE

9.12 • Installation of the Linarte supporting profiles



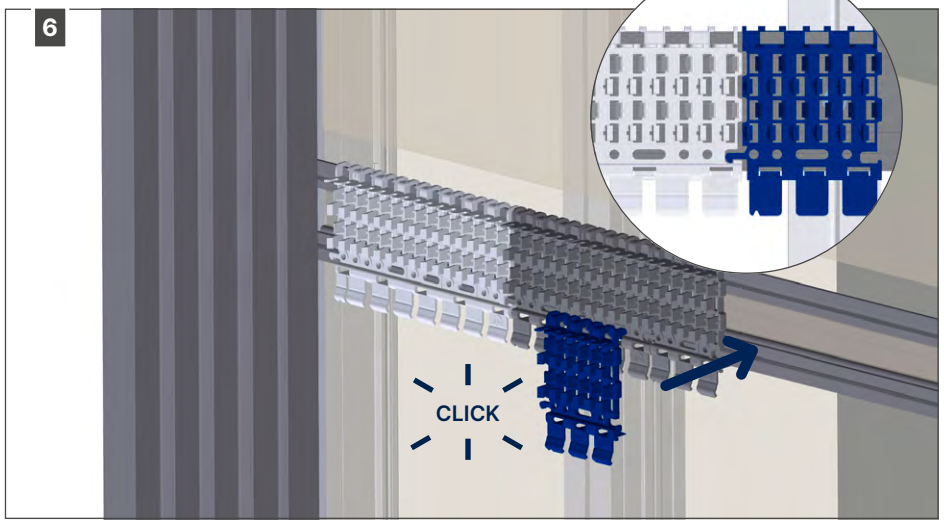
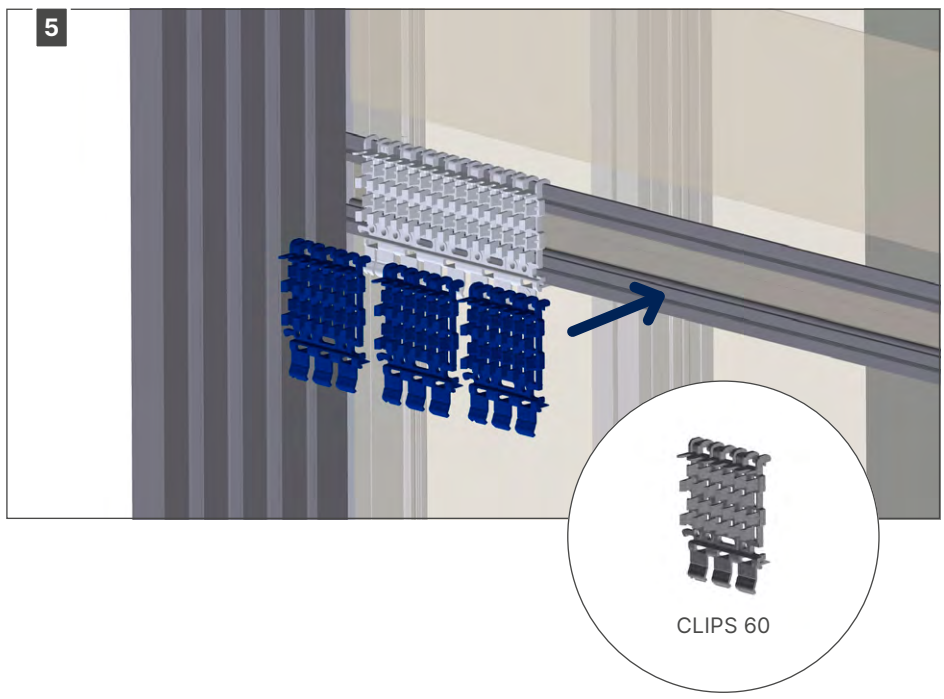
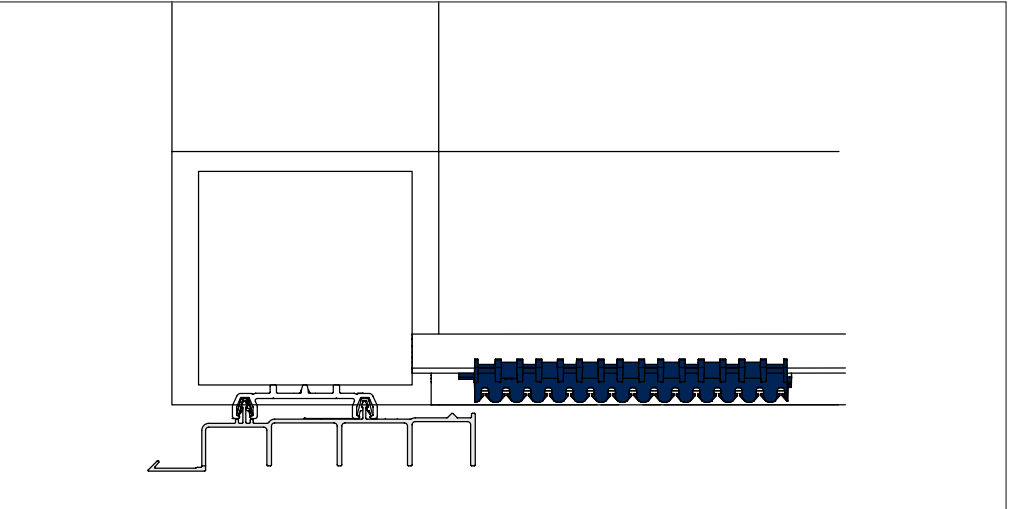
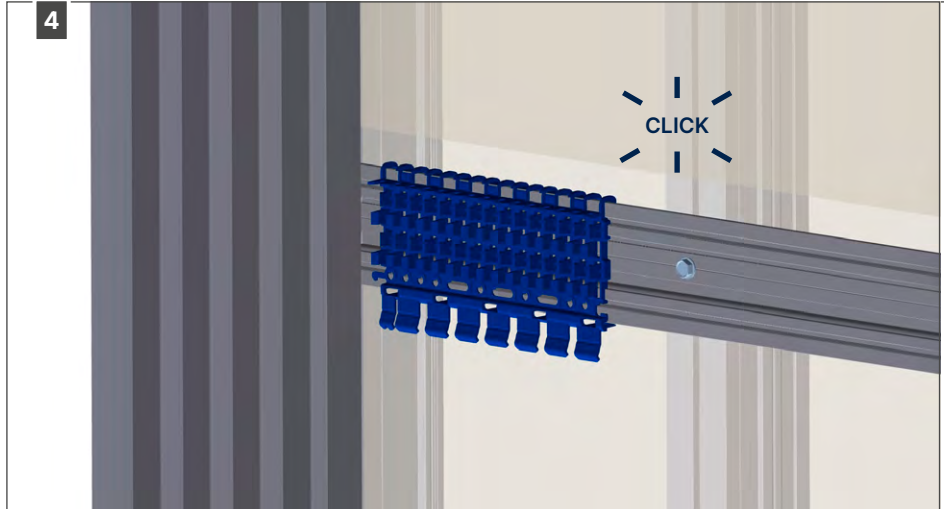
FIXED WALL WITH
DOOR - LINARTE

9.13 • Installation of the Linarte profiles

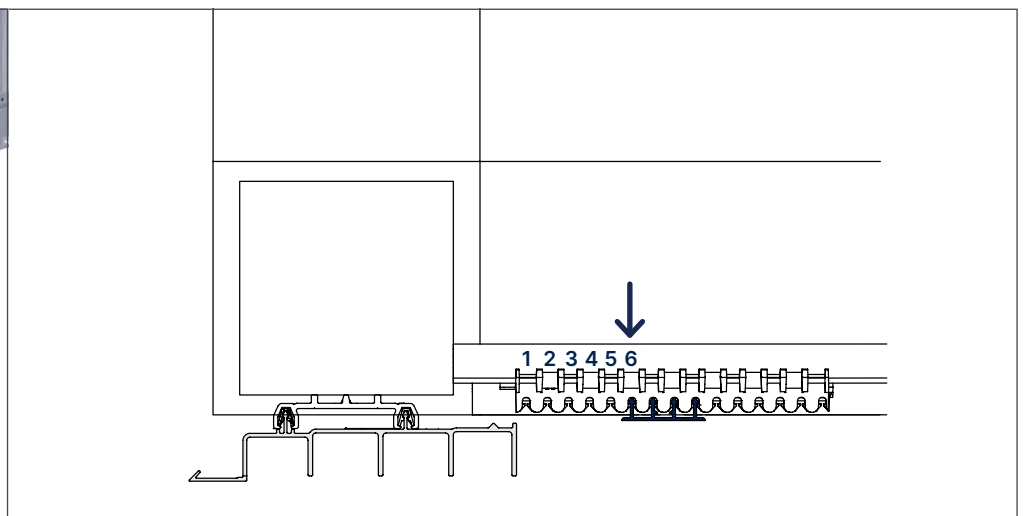
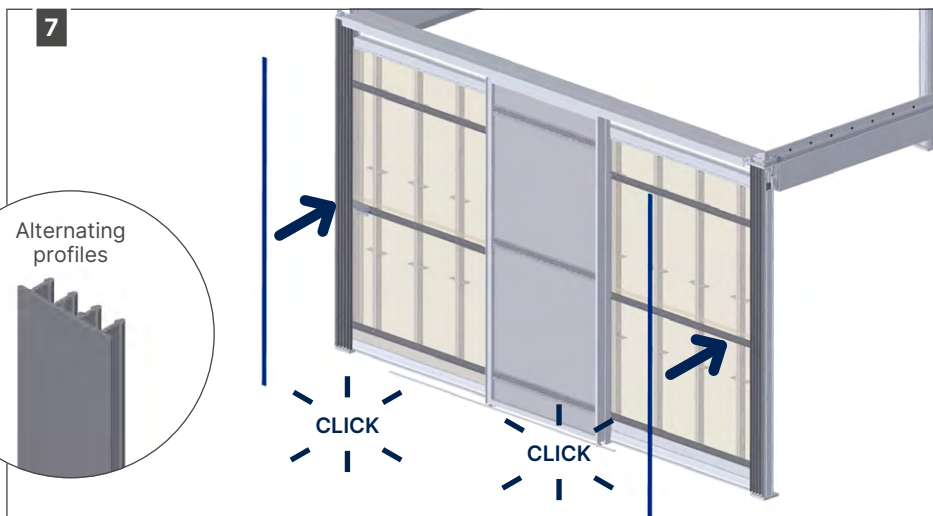
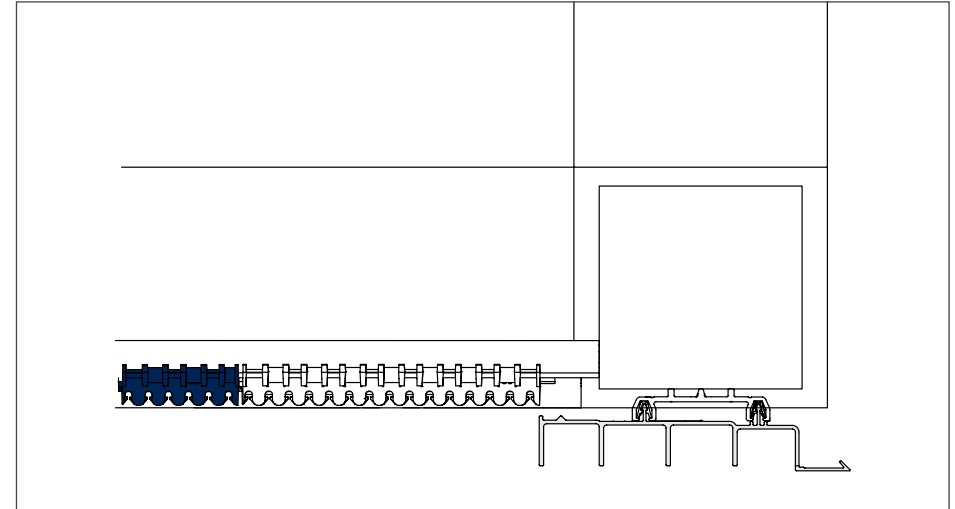
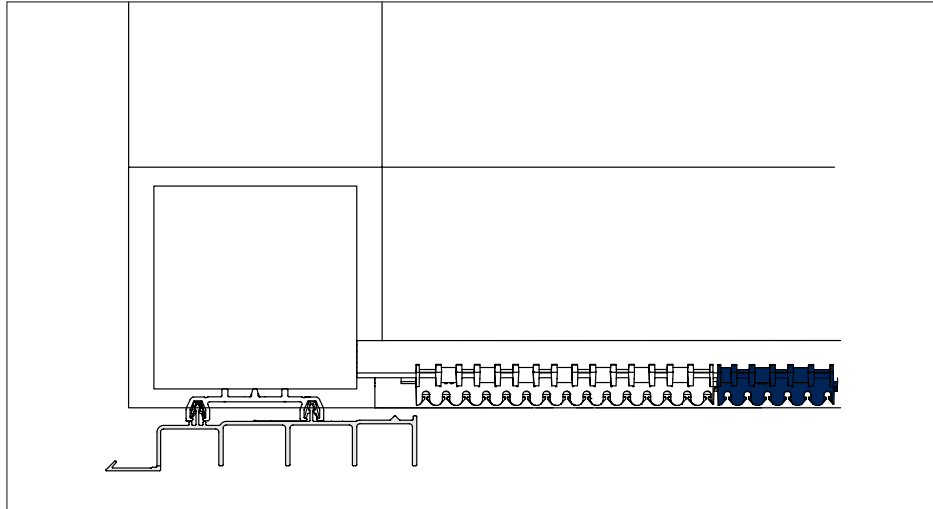


Use up all 150 clips first and divide them equally among the number of Linarte support profiles.

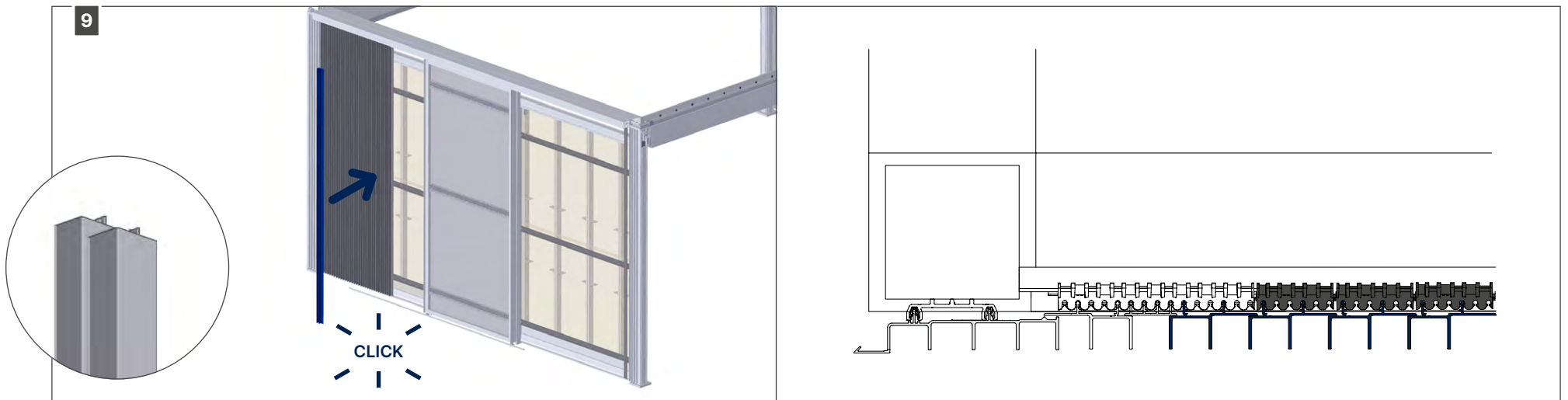
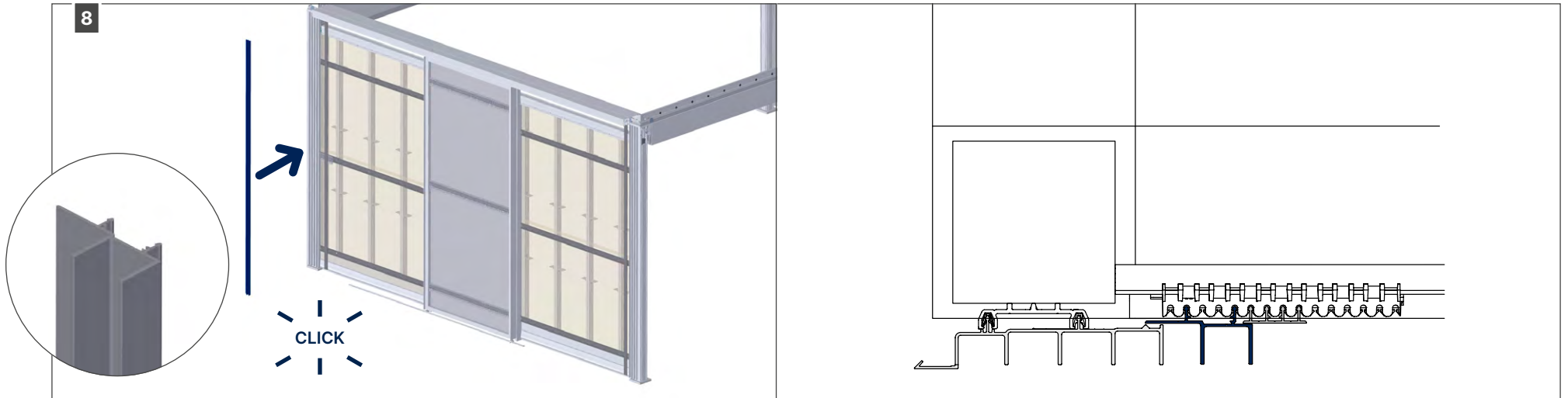
FIXED WALL WITH DOOR - LINARTE



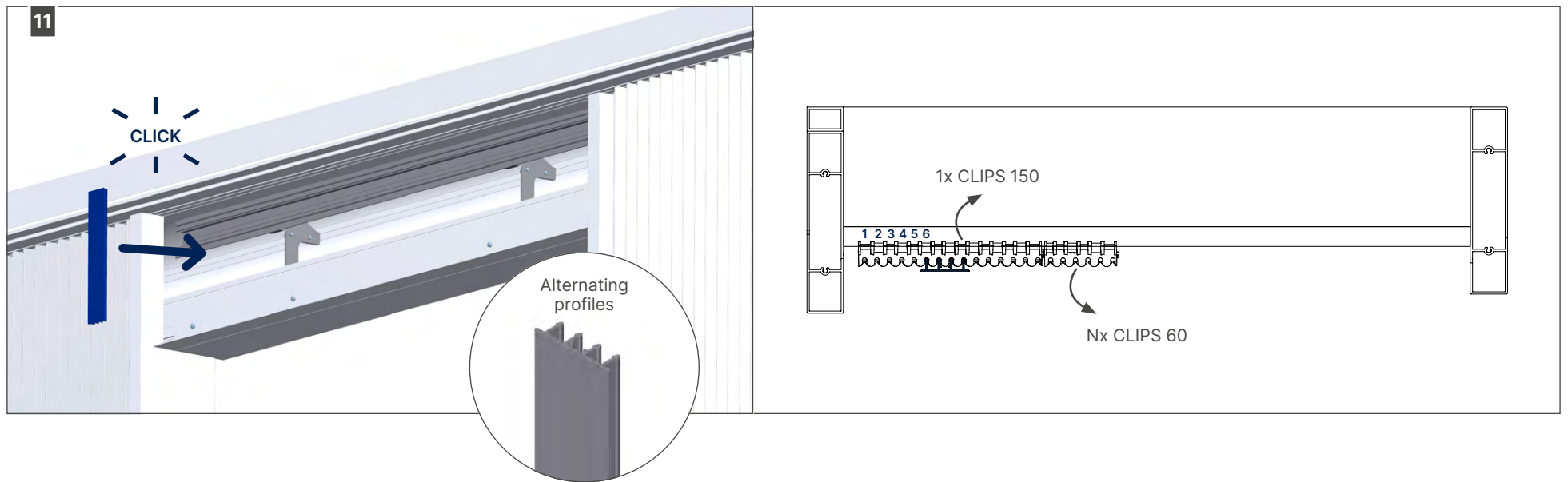
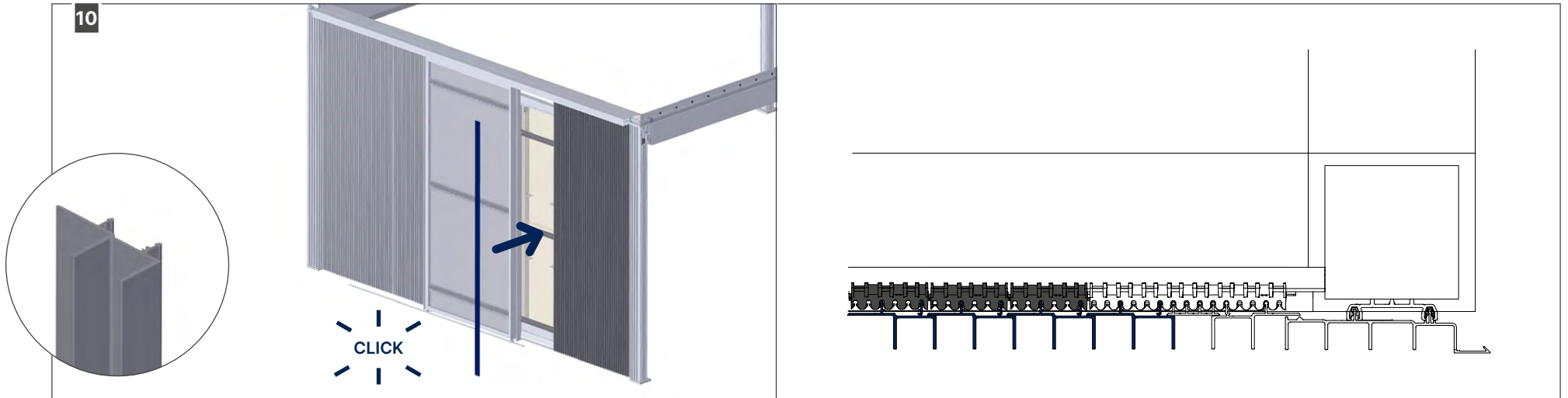
FIXED WALL WITH
DOOR - LINARTE



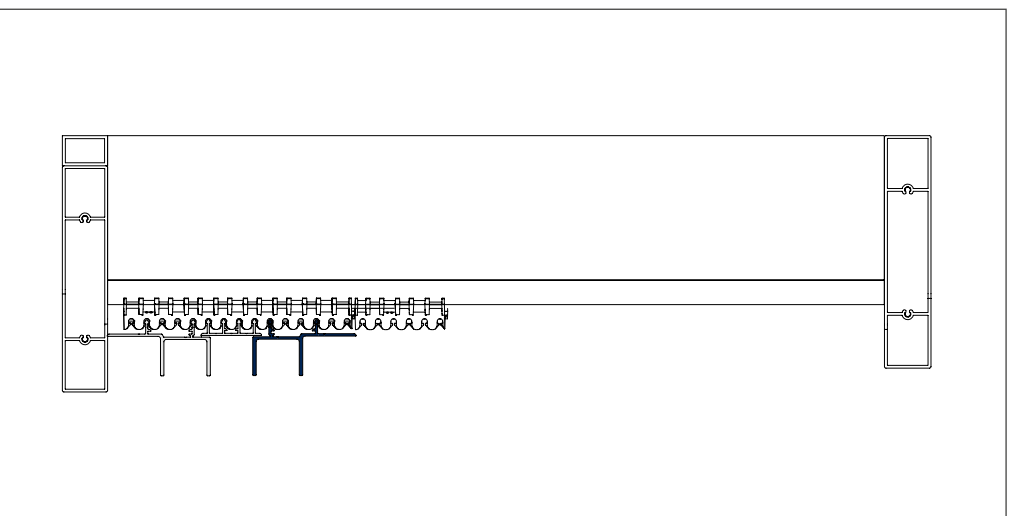
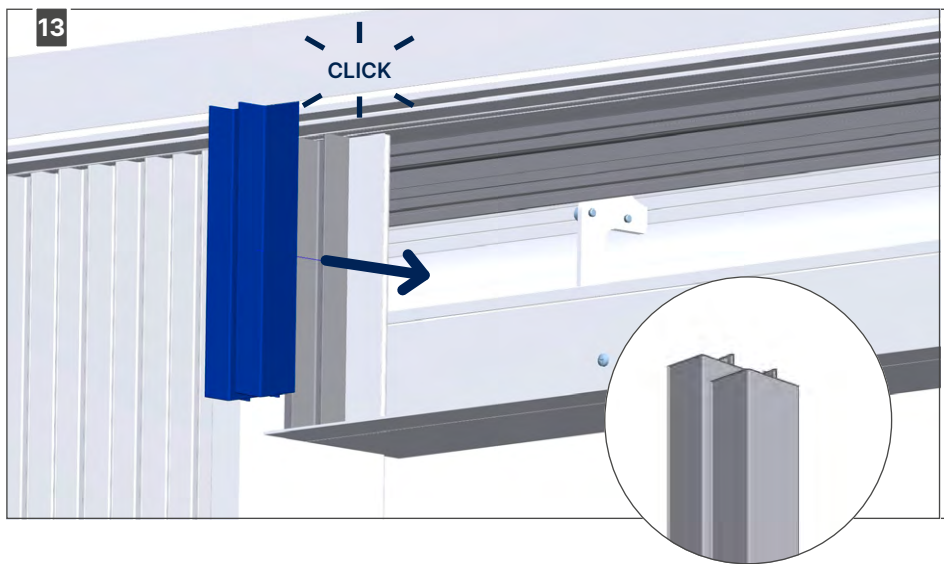
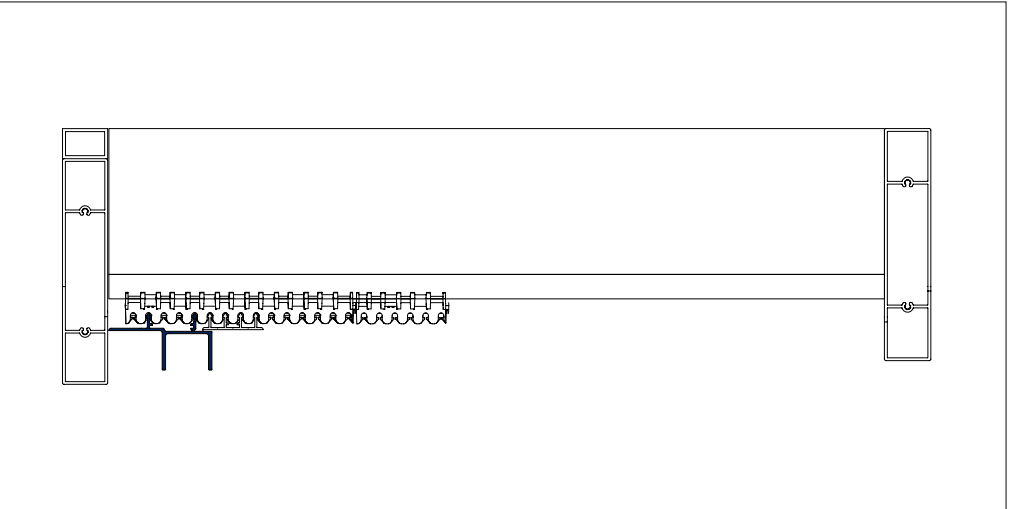
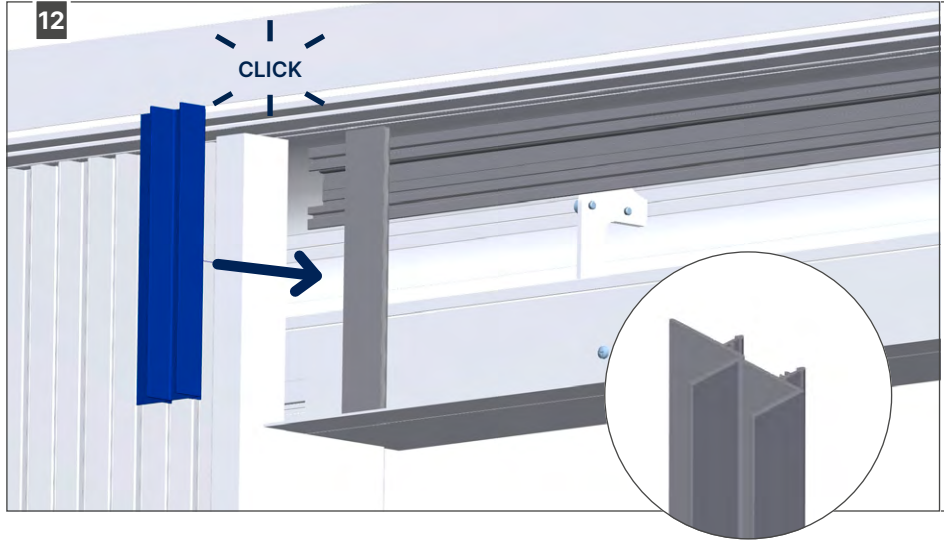
FIXED WALL WITH DOOR - LINARTE



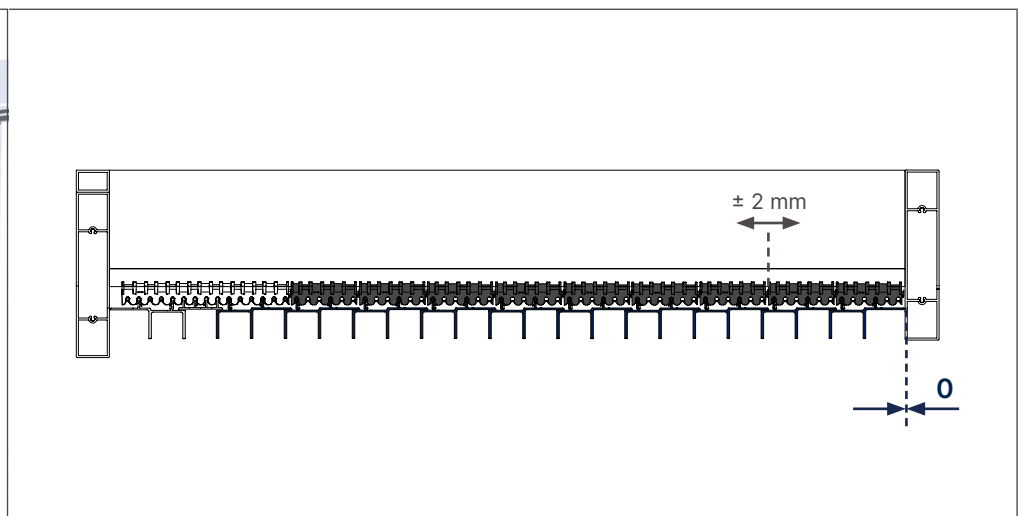
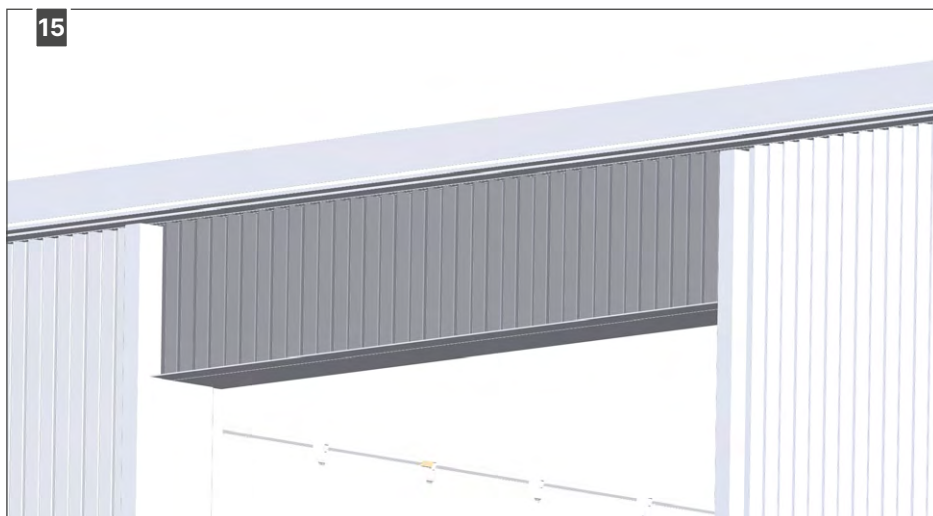
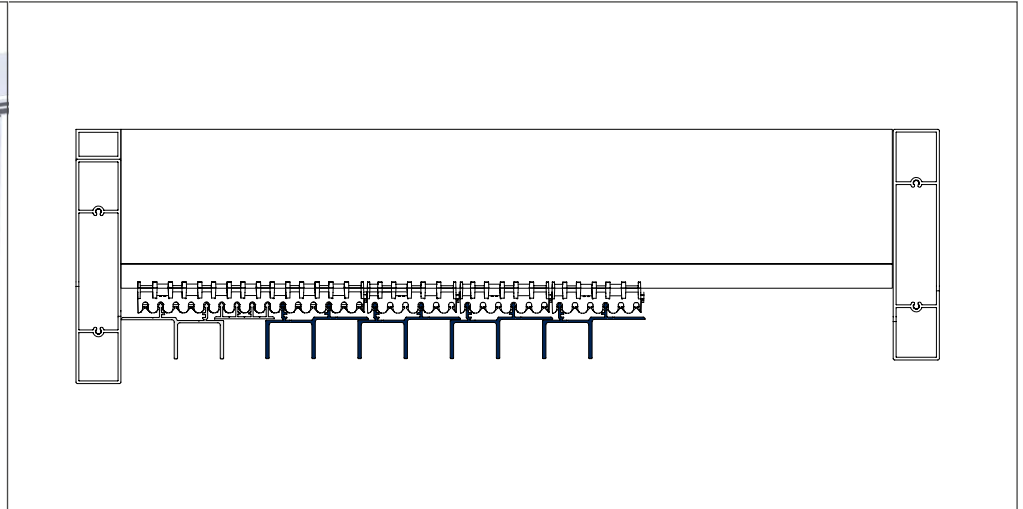
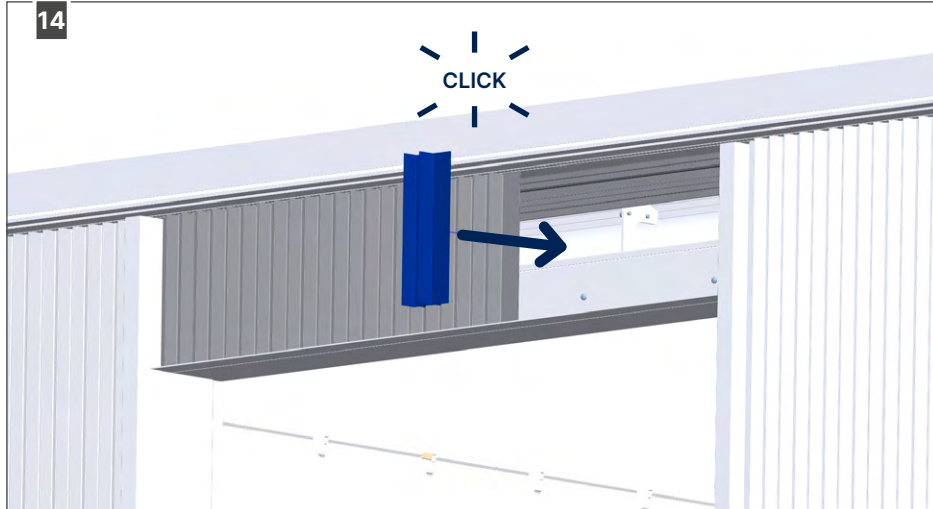
FIXED WALL WITH
DOOR - LINARTE



FIXED WALL WITH
DOOR - LINARTE

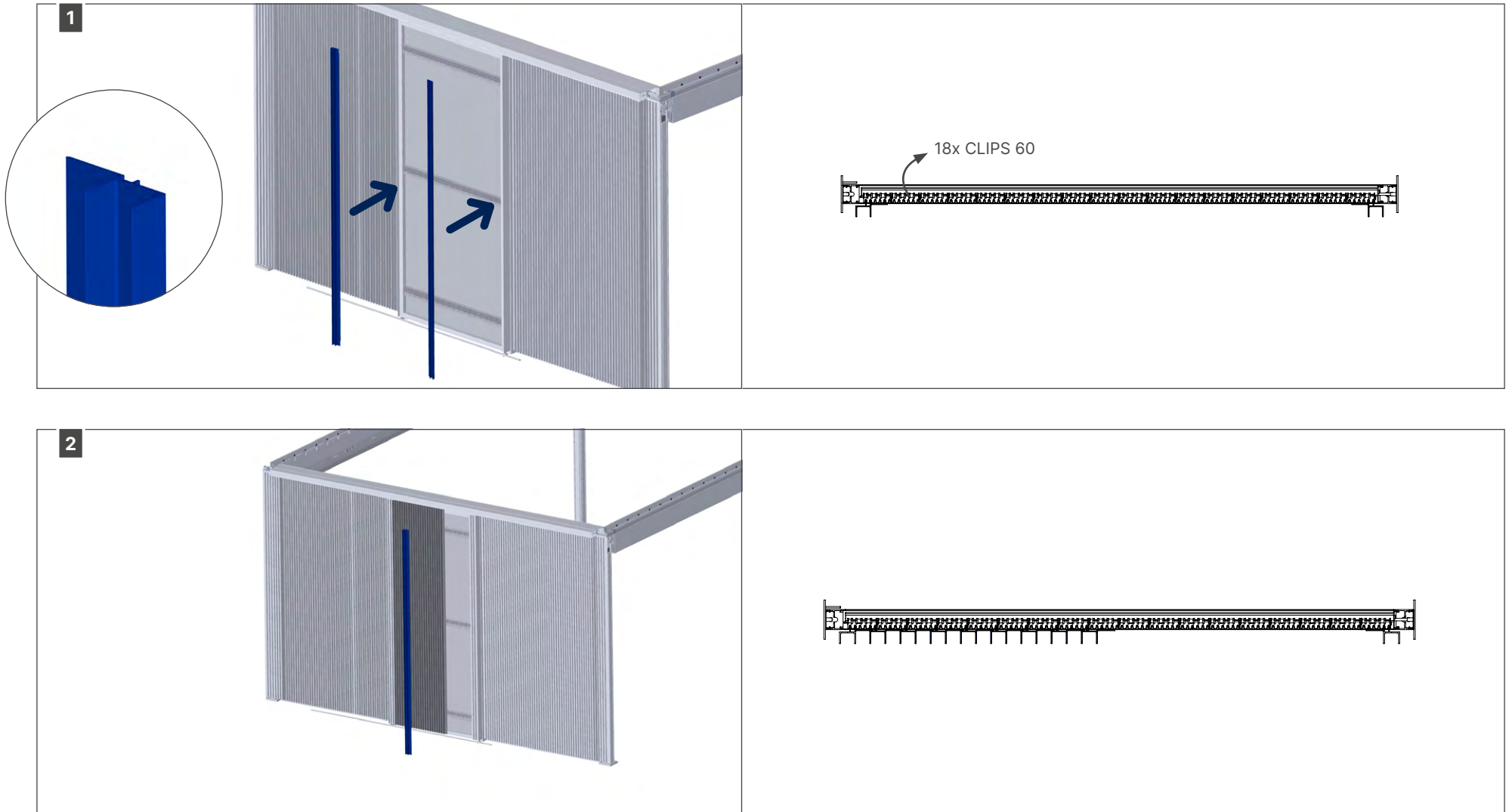


FIXED WALL WITH
DOOR - LINARTE

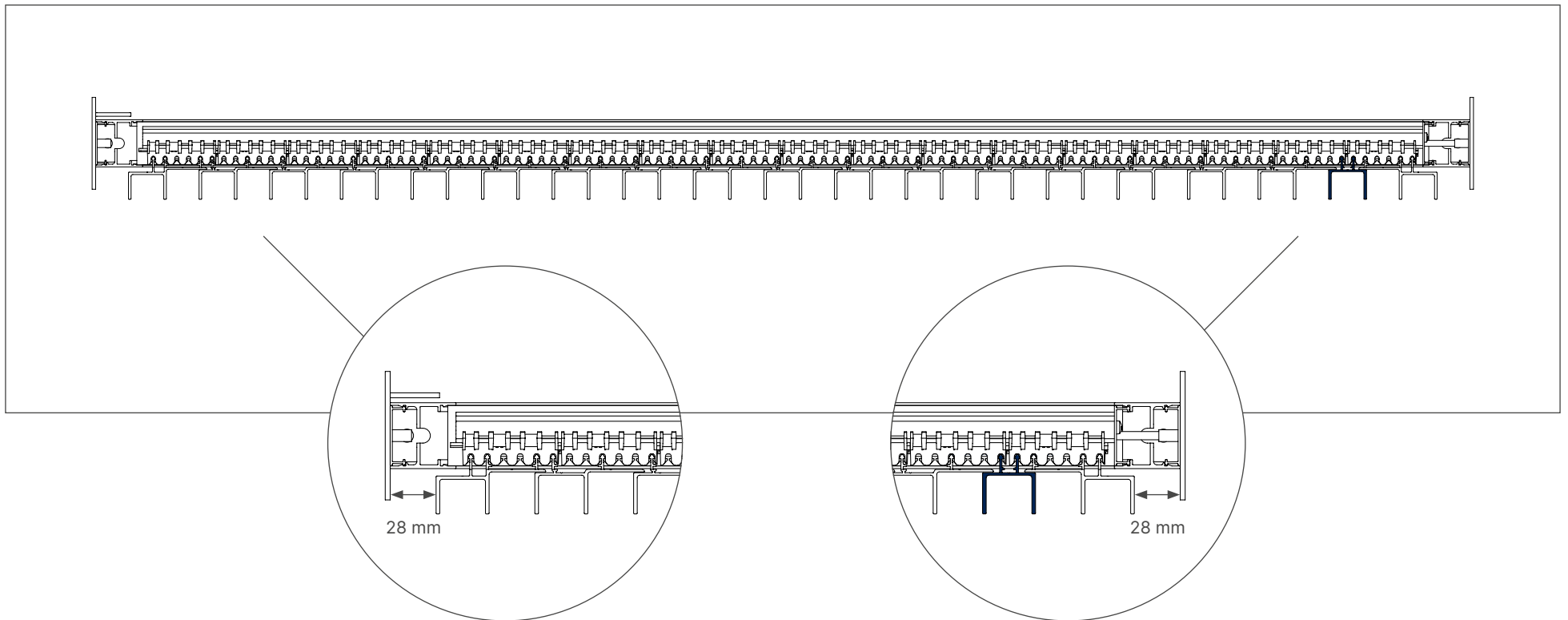
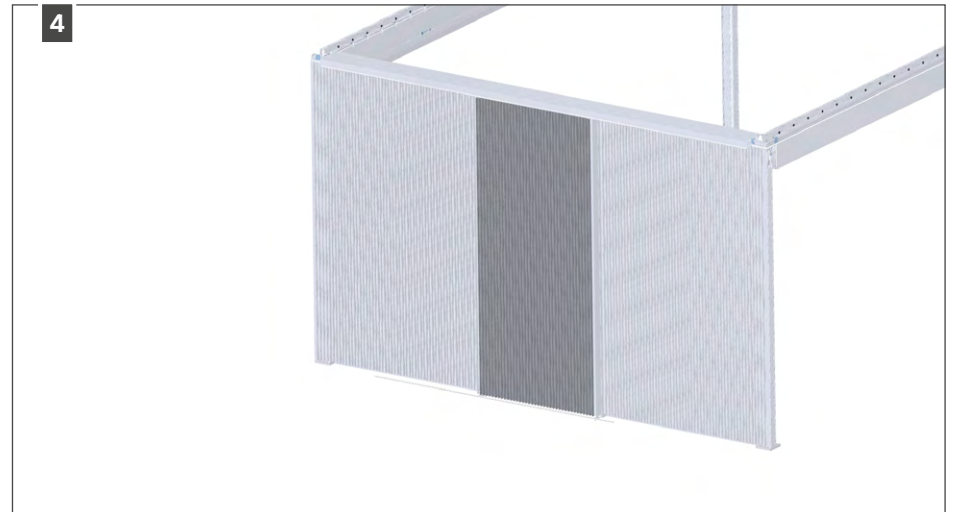
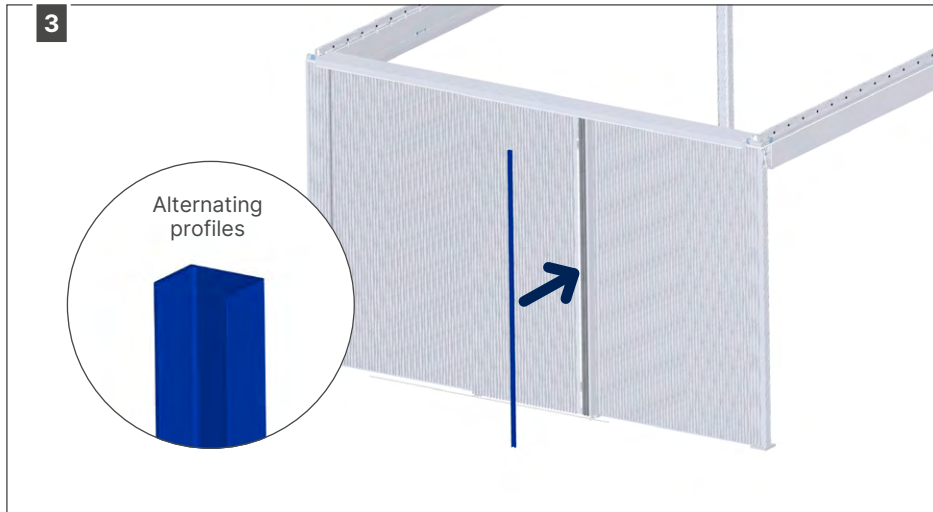


FIXED WALL WITH
DOOR - LINARTE

9.14 • Finishing the Linarte door



FIXED WALL WITH
DOOR - LINARTE

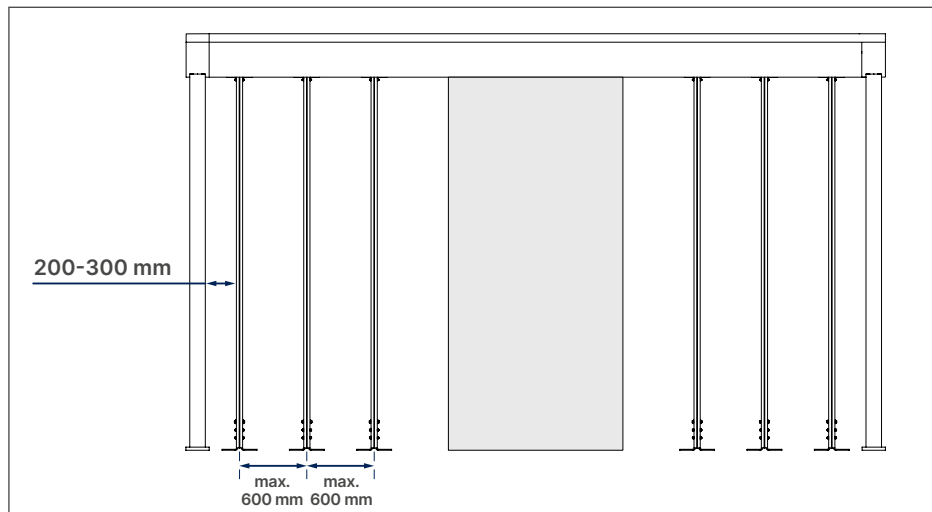


FIXED WALL WITH
DOOR - LINARTE

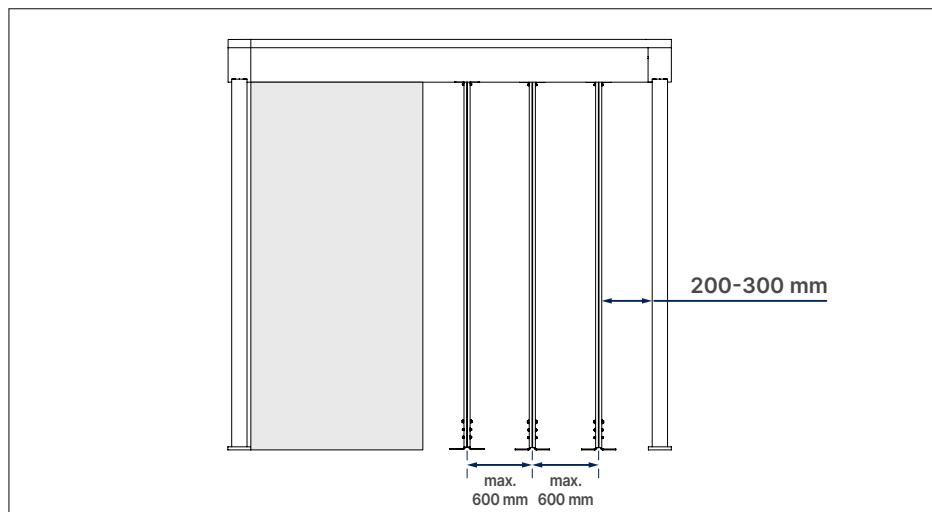
10 • Fixed wall with door - unfinished (view from the outside)

Install the support posts as in the chapter 8.1 "Fixed wall - unfinished"

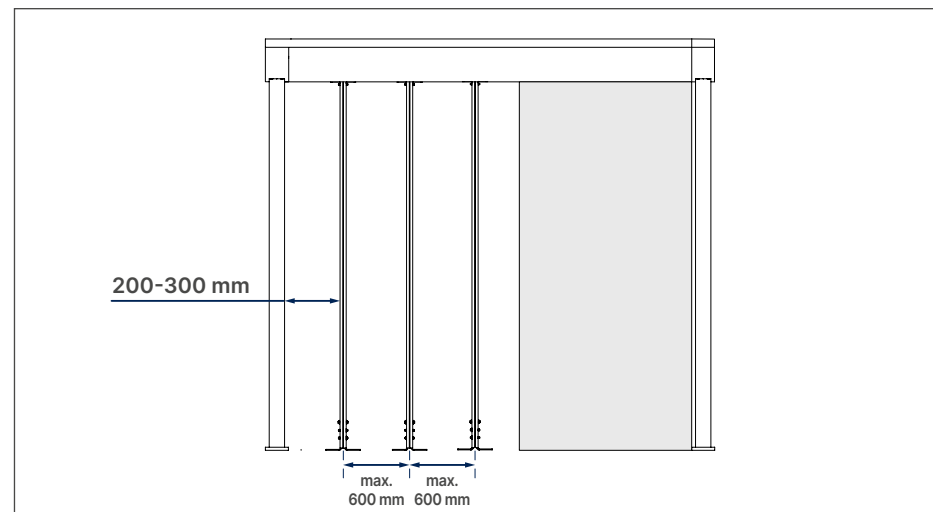
Option 1: door in the middle



Option 2: door on the left

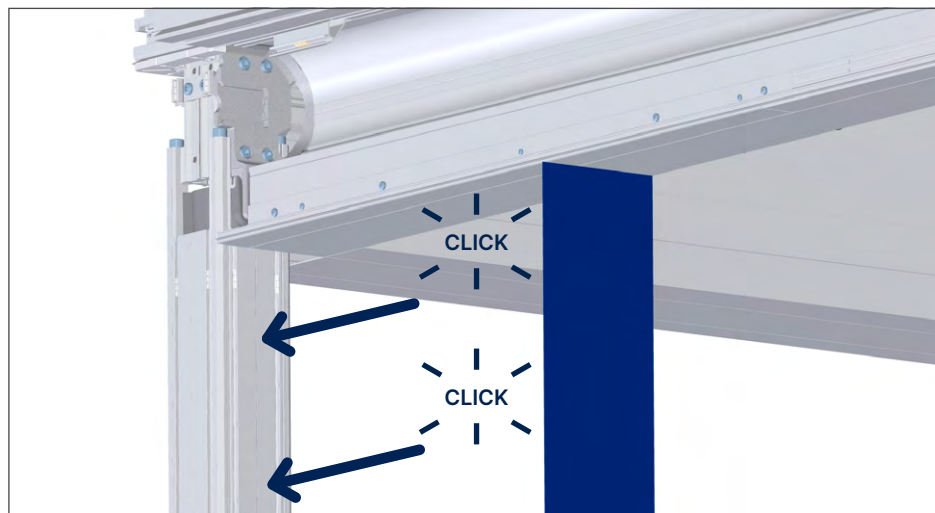


Option 3: door on the right

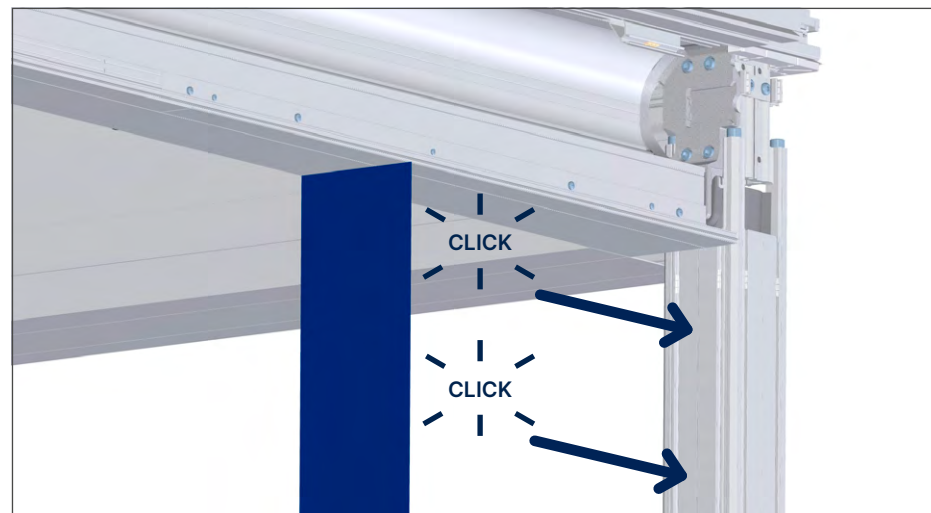


10.1 • Installation of the column cover plates

Door left



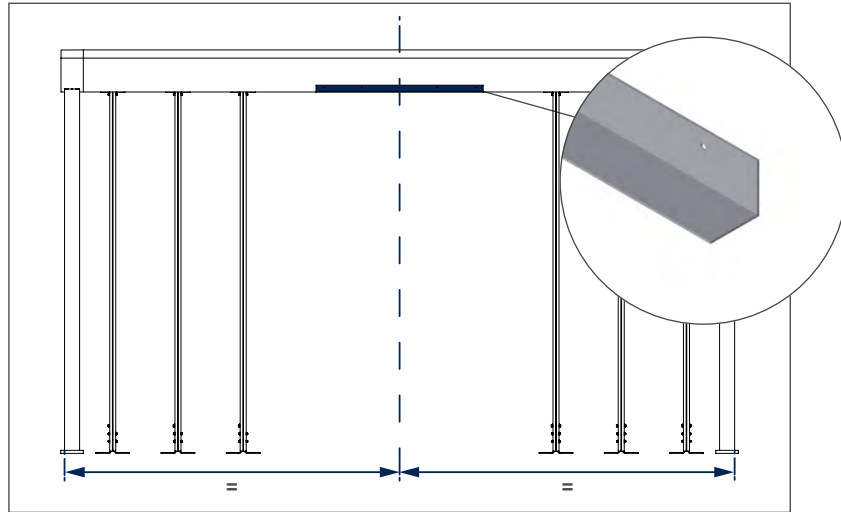
Door right



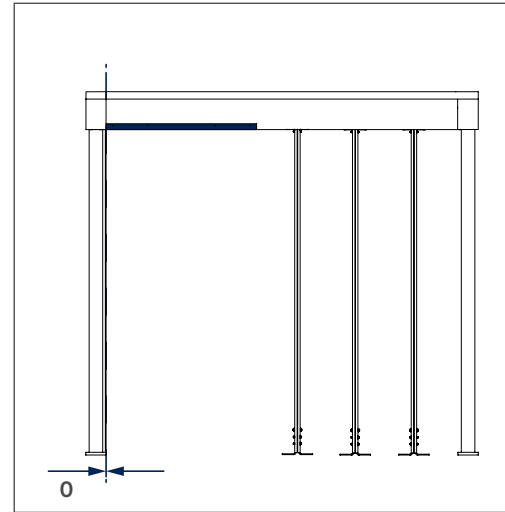
FIXED WALL WITH
DOOR - CASCO

10.2 • Determining the position of the door

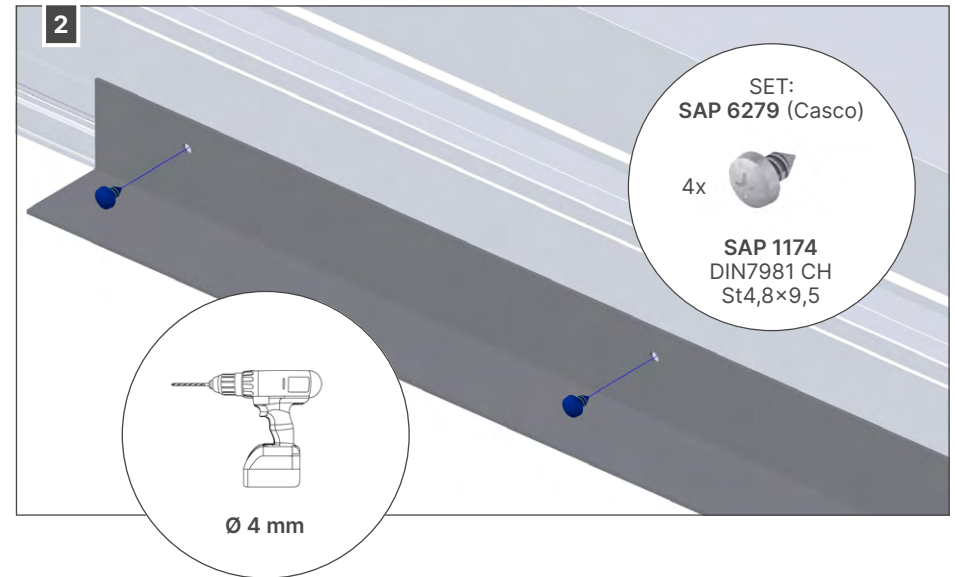
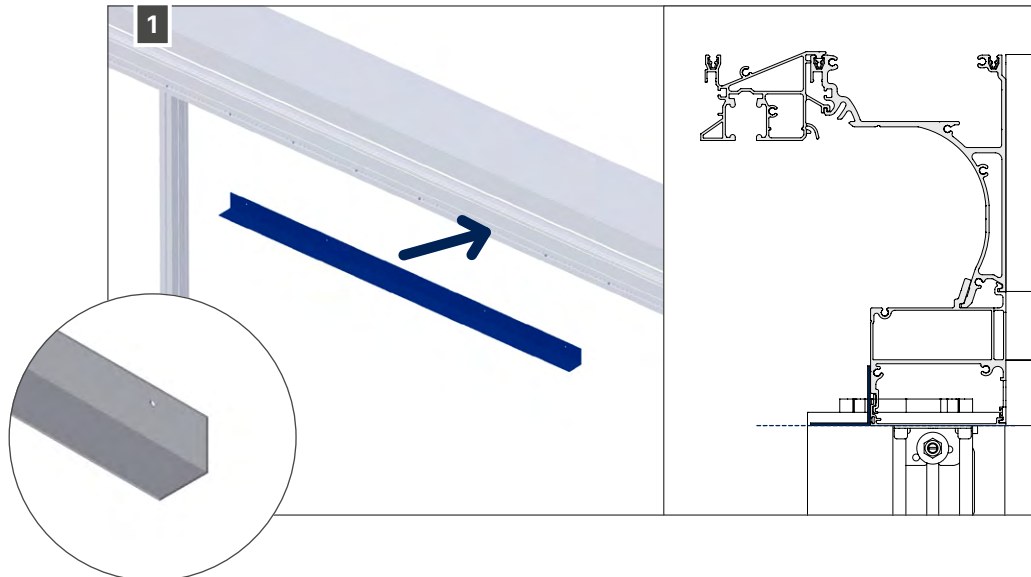
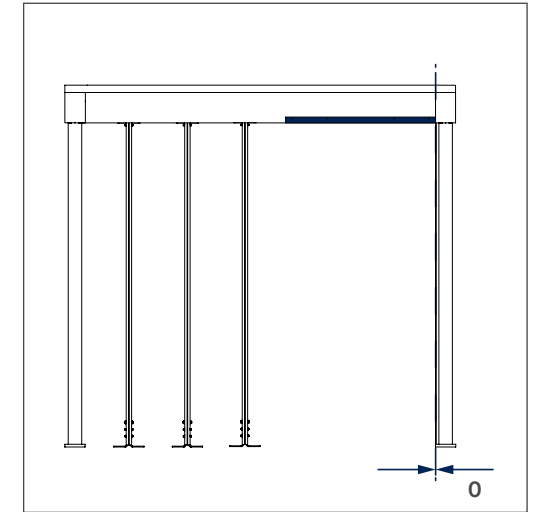
Door in the middle



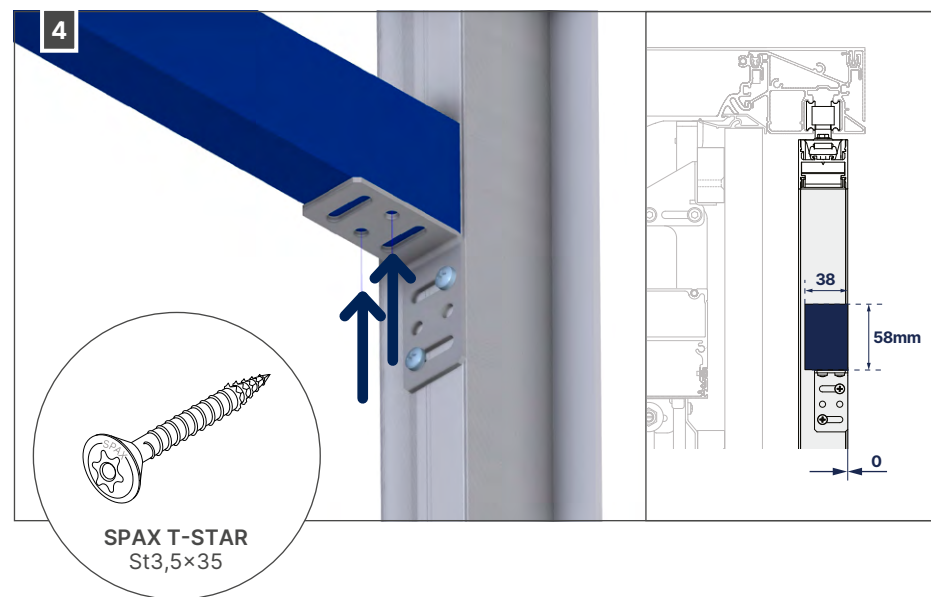
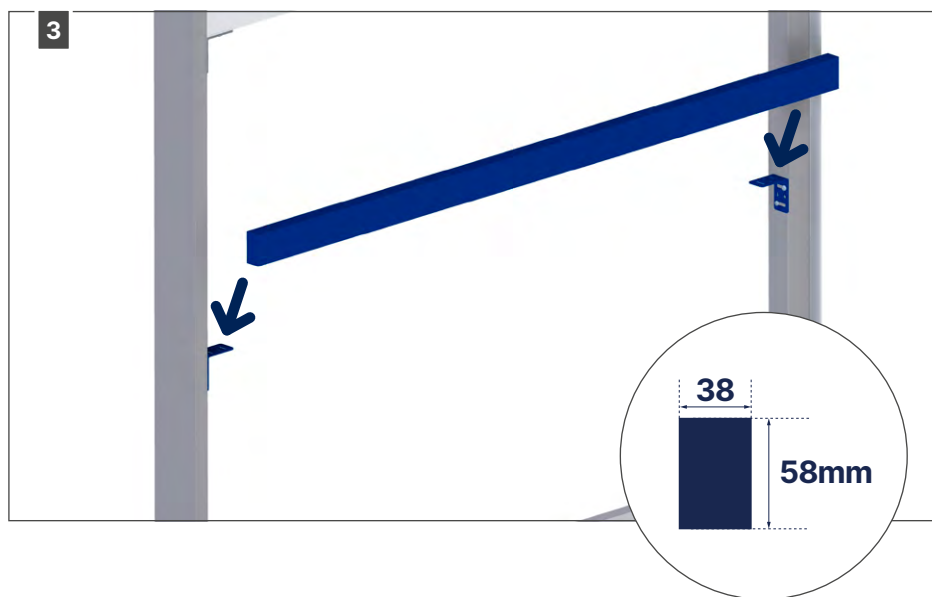
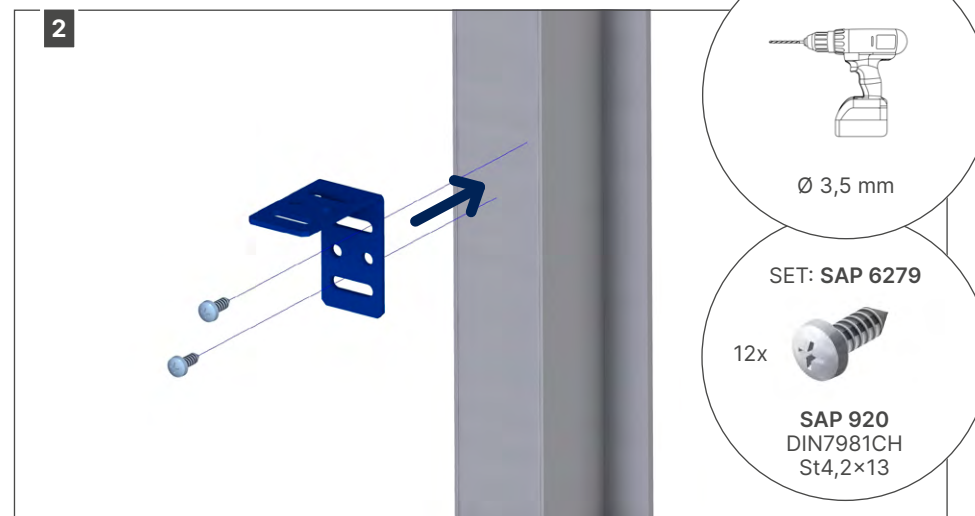
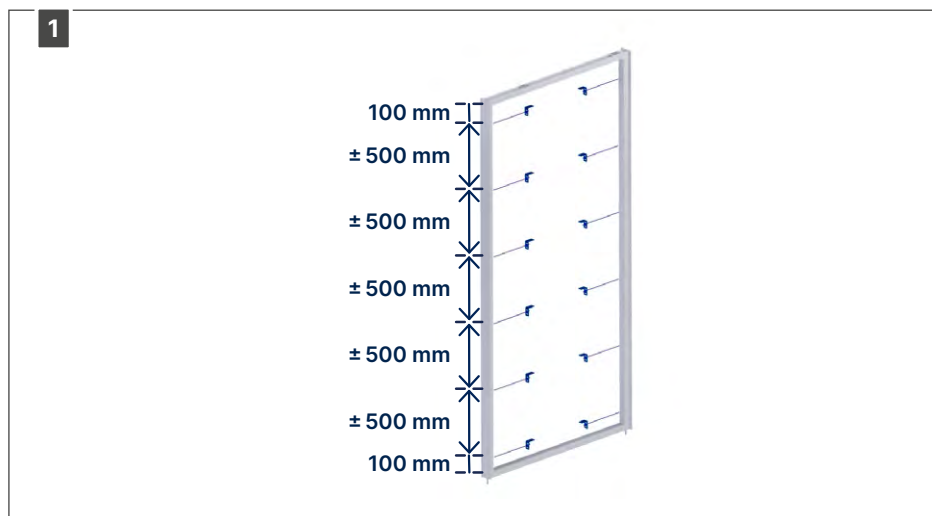
Door left



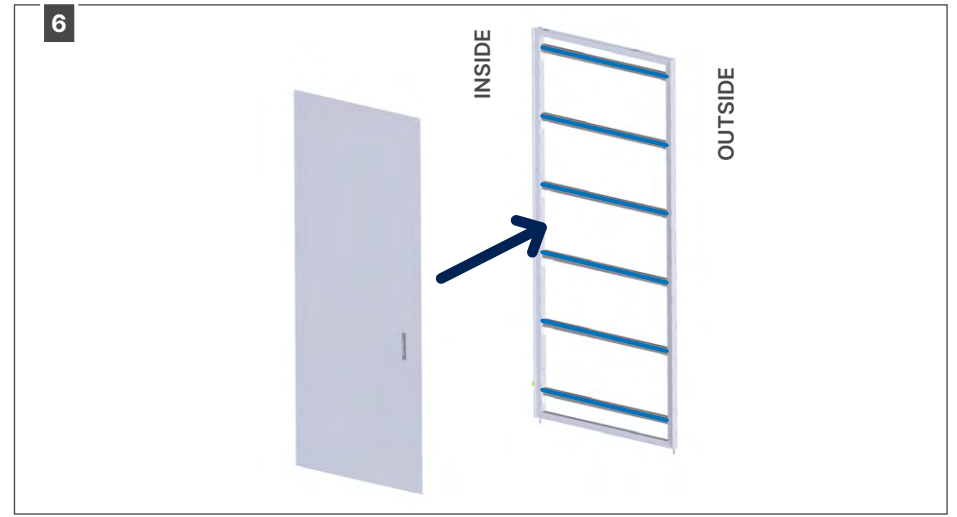
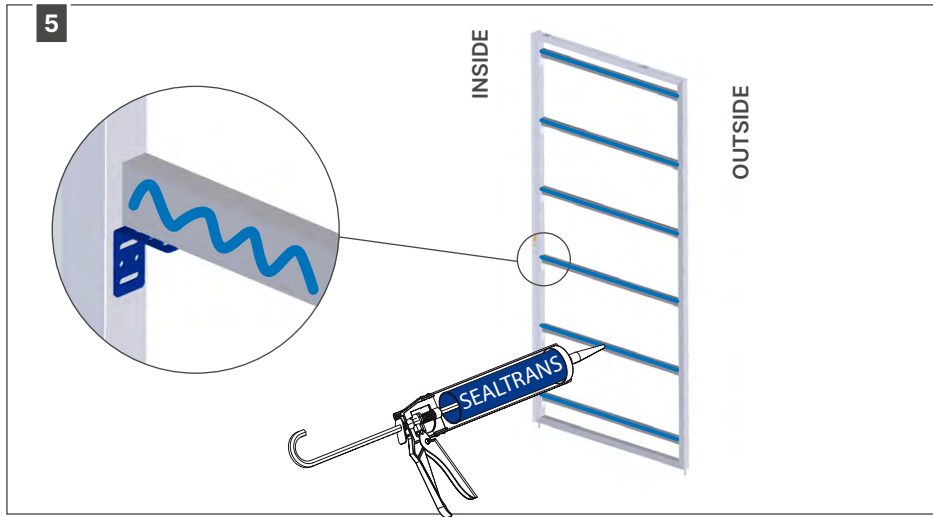
Door right



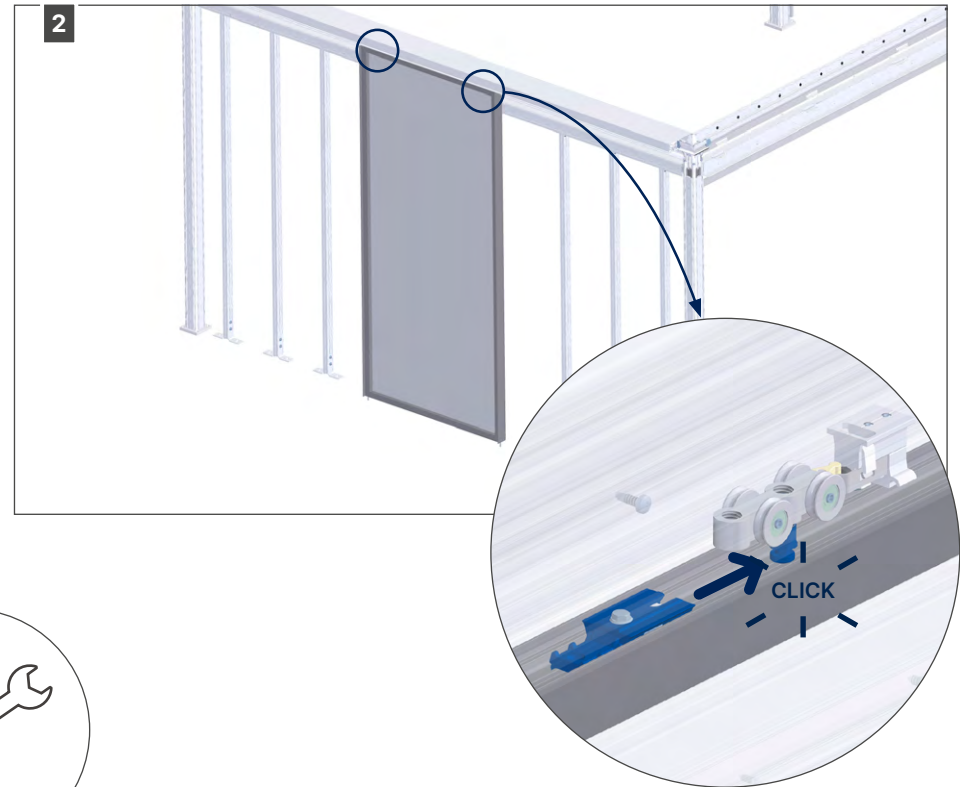
10.3 • Installation of the inner finish of the door



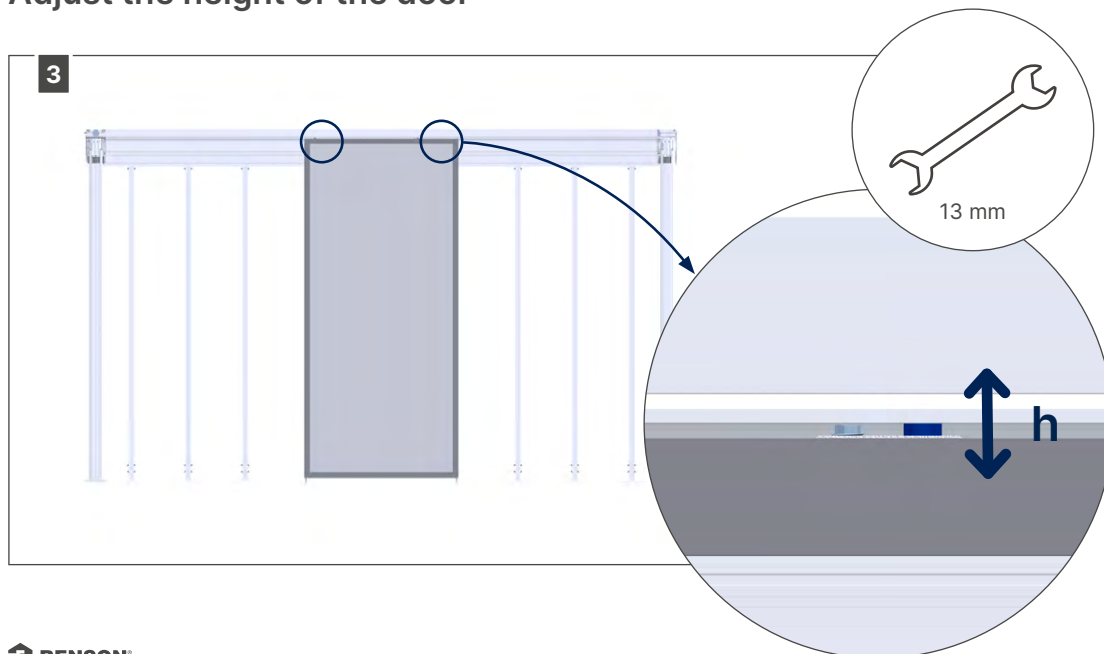
FIXED WALL WITH
DOOR - CASCO



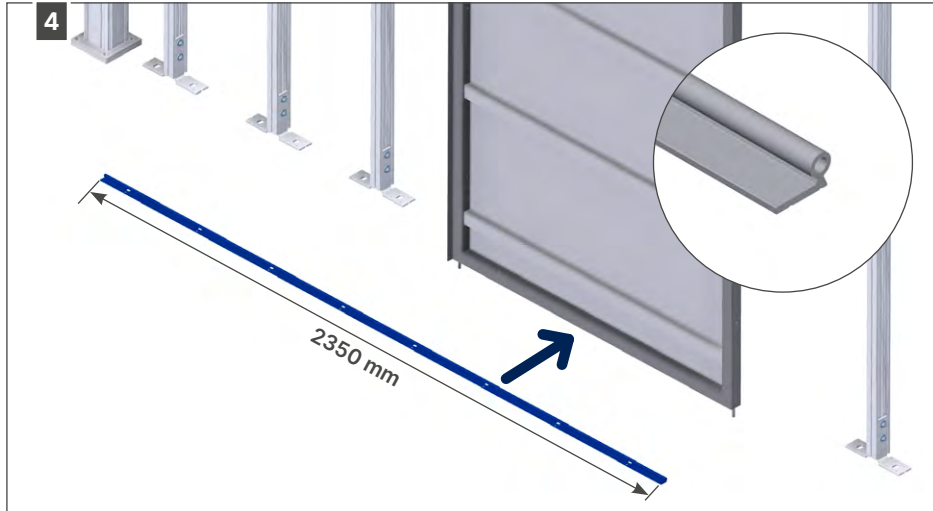
10.4 • Installation of the door frame



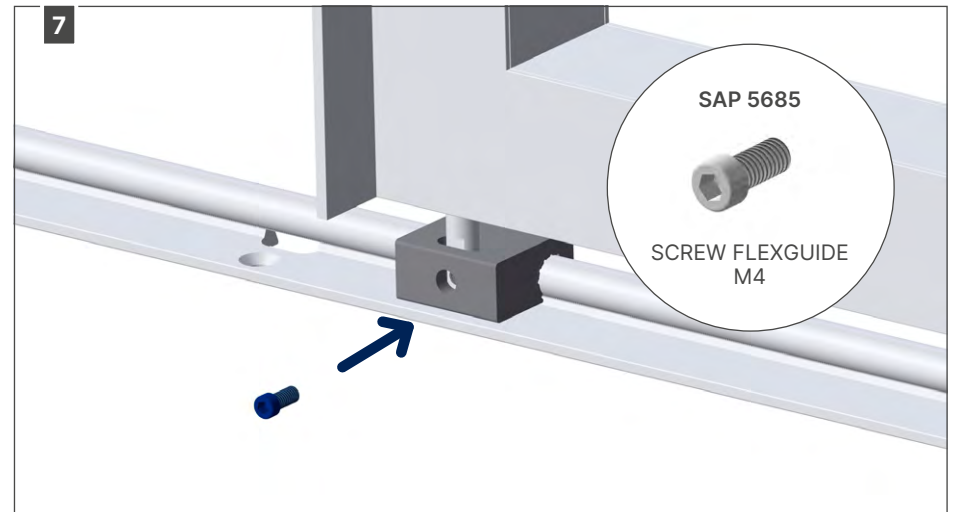
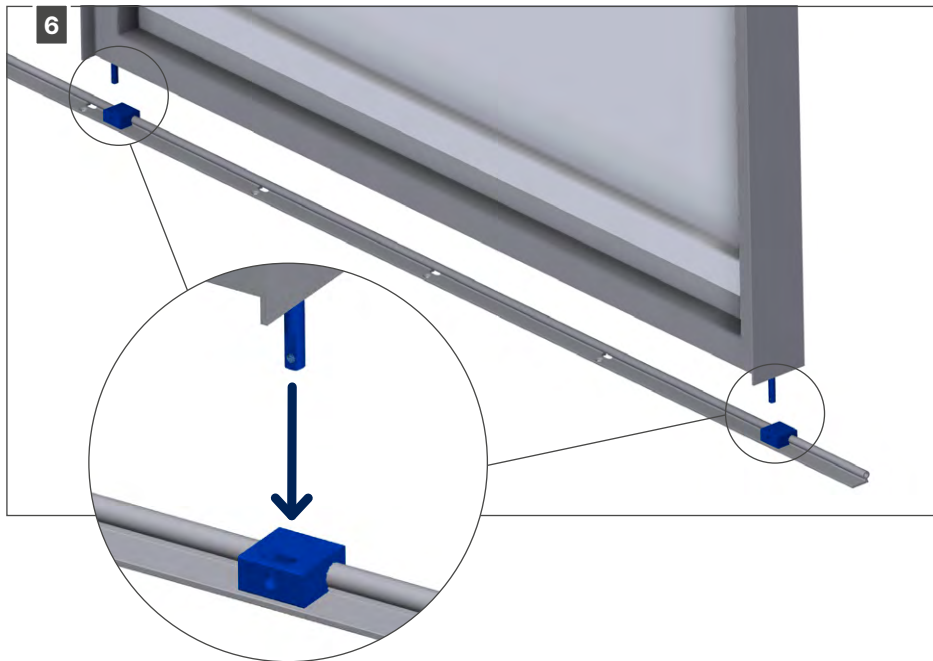
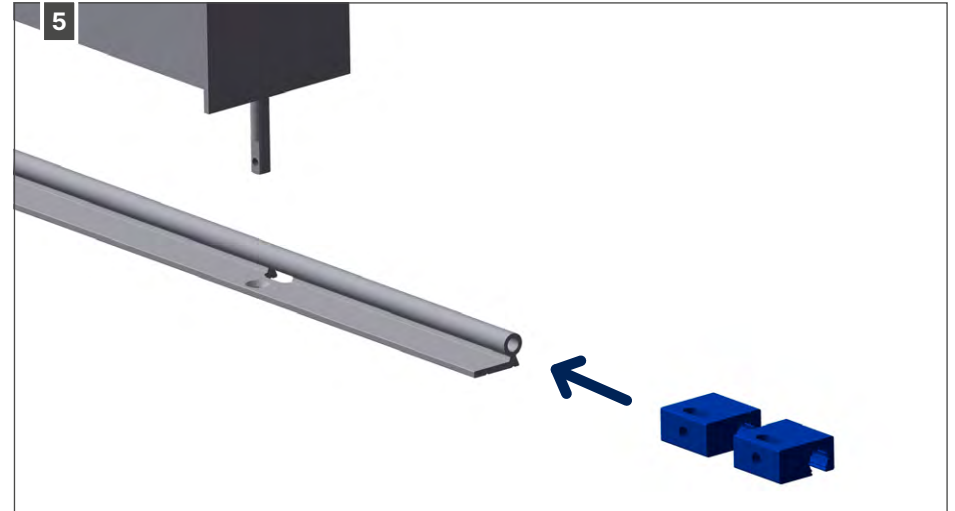
Adjust the height of the door



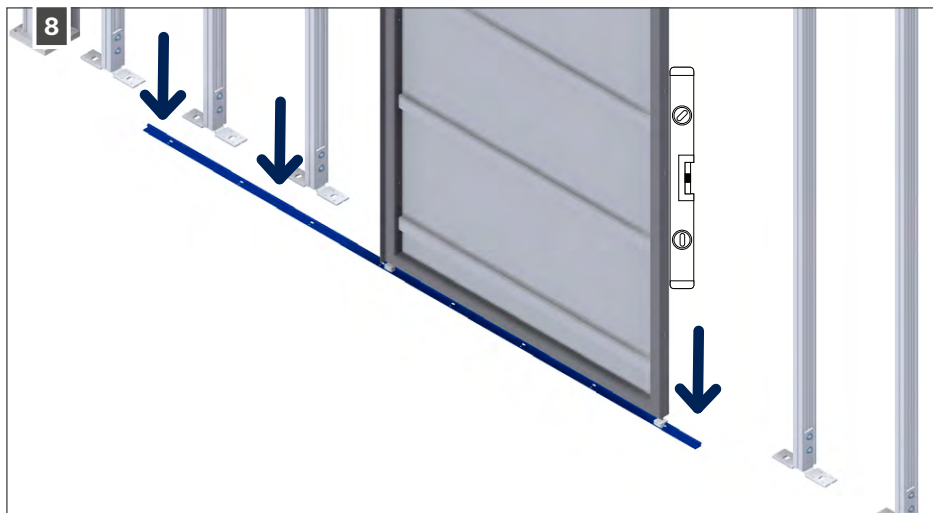
FIXED WALL WITH DOOR - CASCO



Only positioning; not screwing



FIXED WALL WITH
DOOR - CASCO

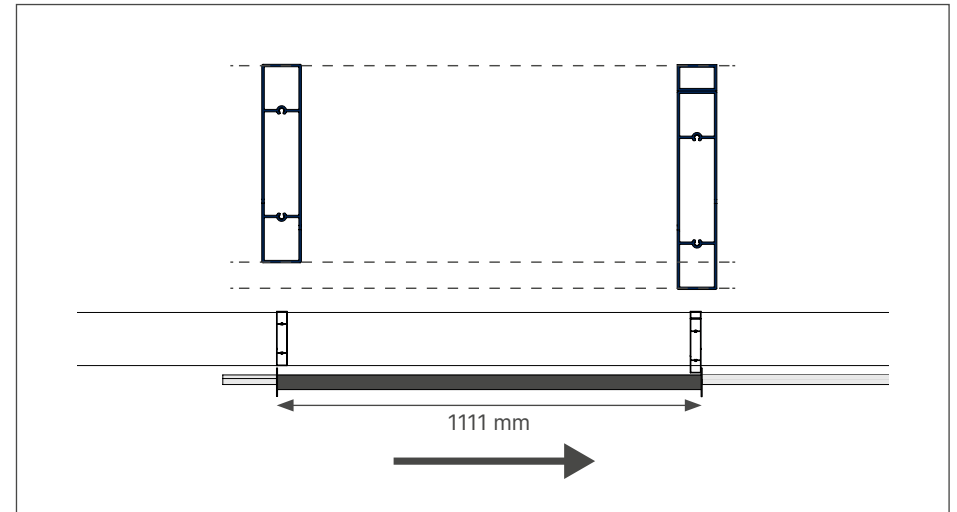
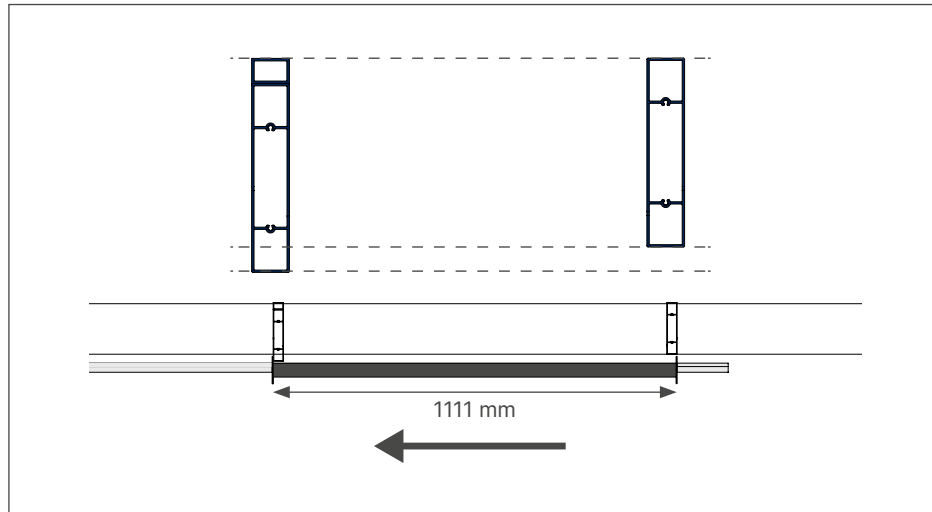


Secure the bottom rail. Use screws that are suitable for the surface, e.g. DIN 7982 CH - ST4.2×13 (not supplied).

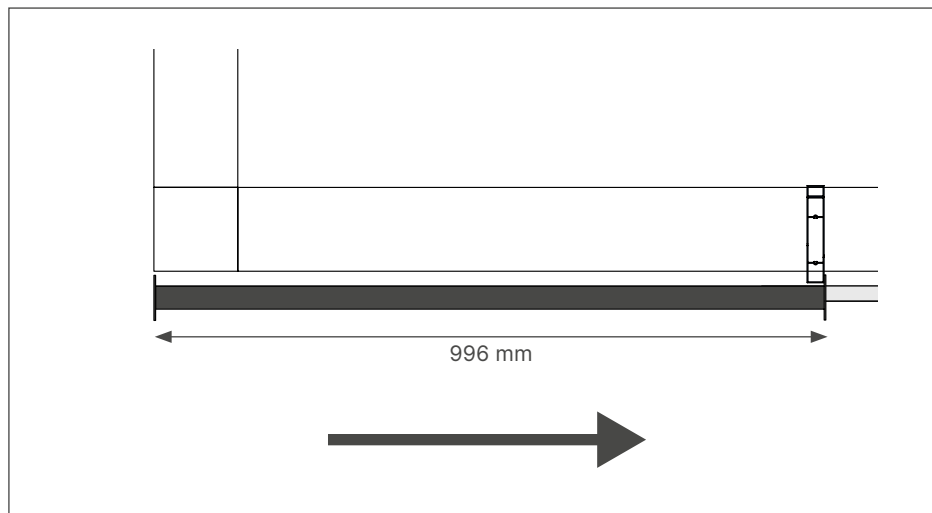
10.5 • Installation of the door frames



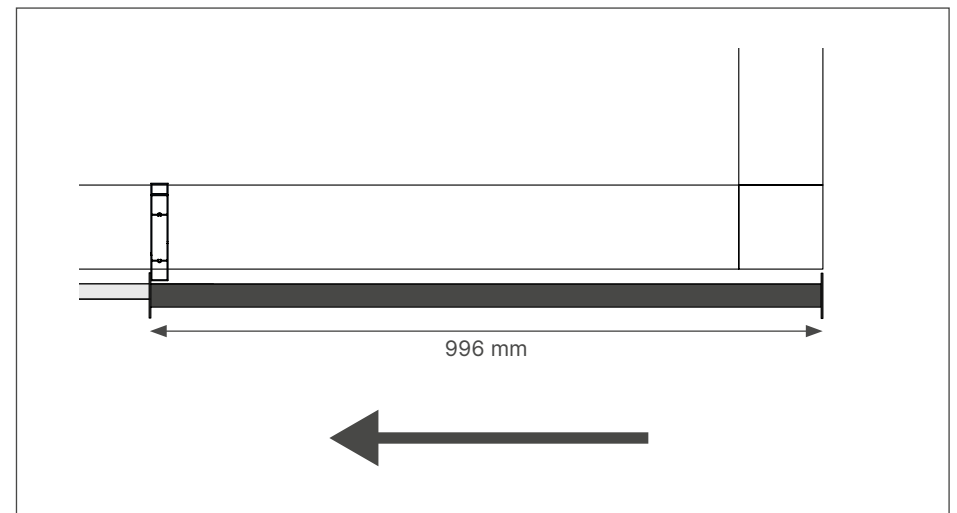
Door in the middle



Door left

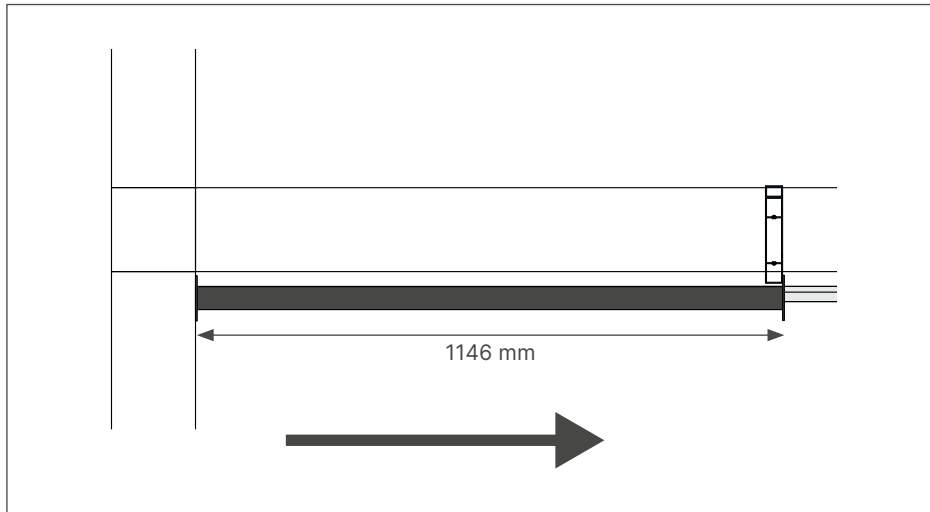


Door right



FIXED WALL WITH
DOOR - CASCO

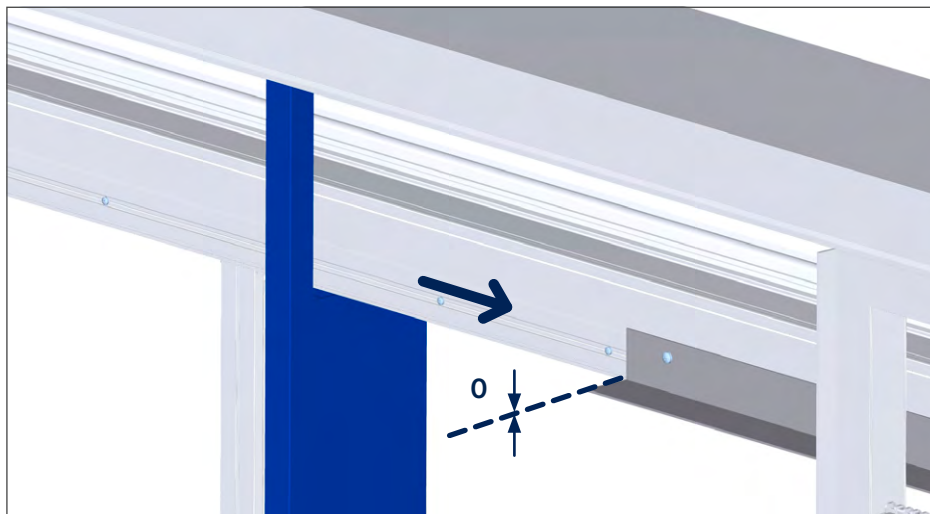
Door below the joining beam left



Door below the joining beam right

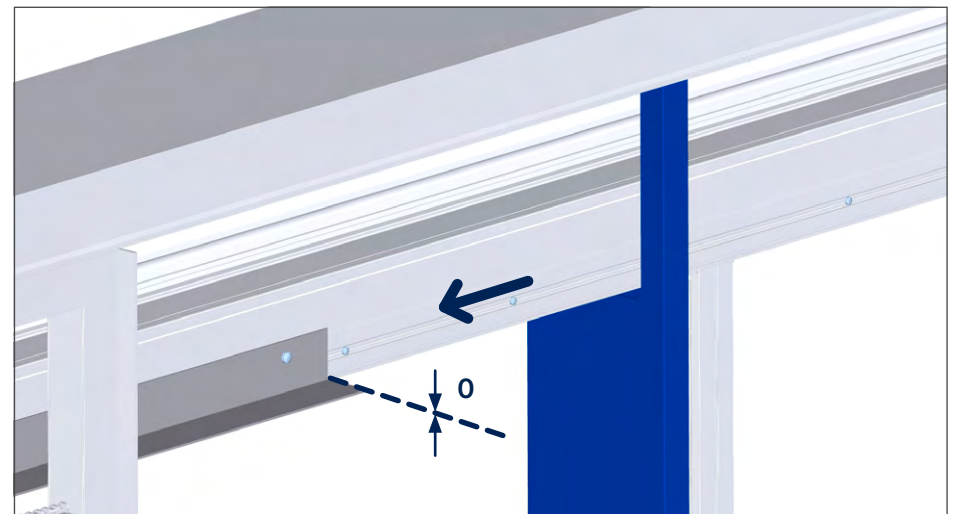


Left side of the door



Only positioning; not screwing

Right side of the door



Only positioning; not screwing

FIXED WALL WITH DOOR - CASCO

10.6 • Installation of the support posts on the door frames

Follow the same instructions as in the chapter 9.5 "Fixed wall with door - Linarte"

10.7 • Installation of the door lock

Follow the same instructions as in the chapter 9.6 "Fixed wall with door - Linarte"

10.8 • Installation of unfinished brackets between the support posts

Follow the same instructions as in the chapter 9.7 "Fixed wall with door - Linarte"

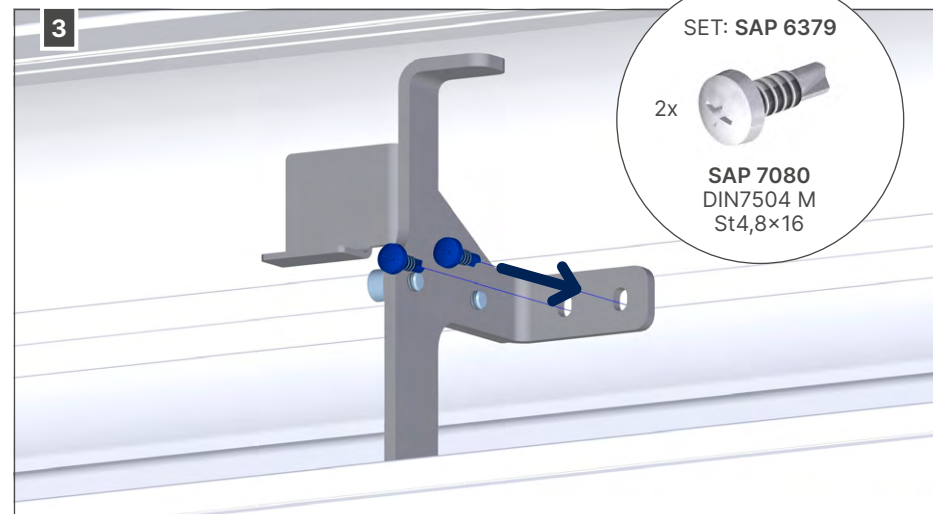
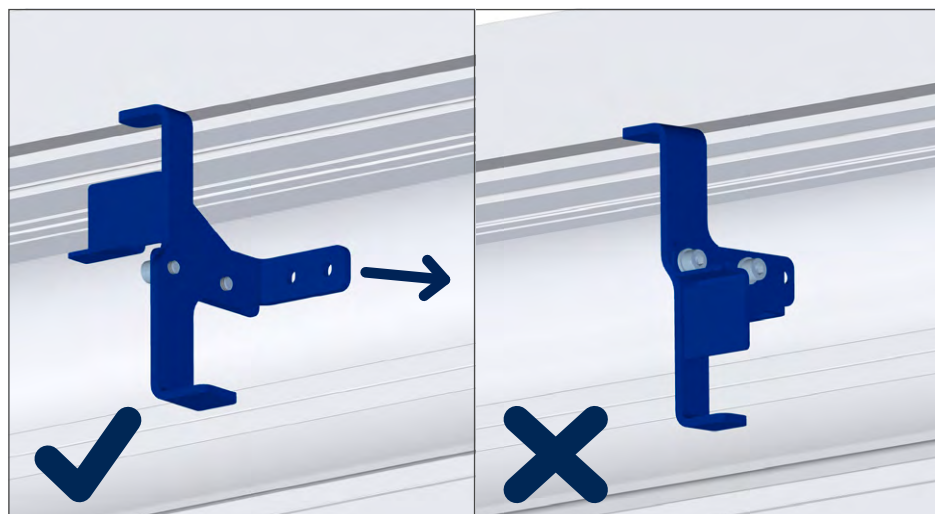
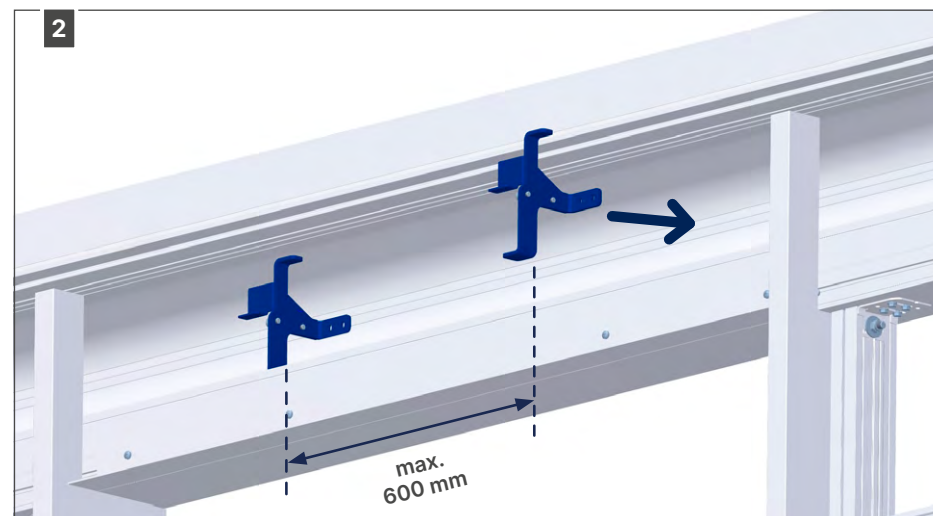
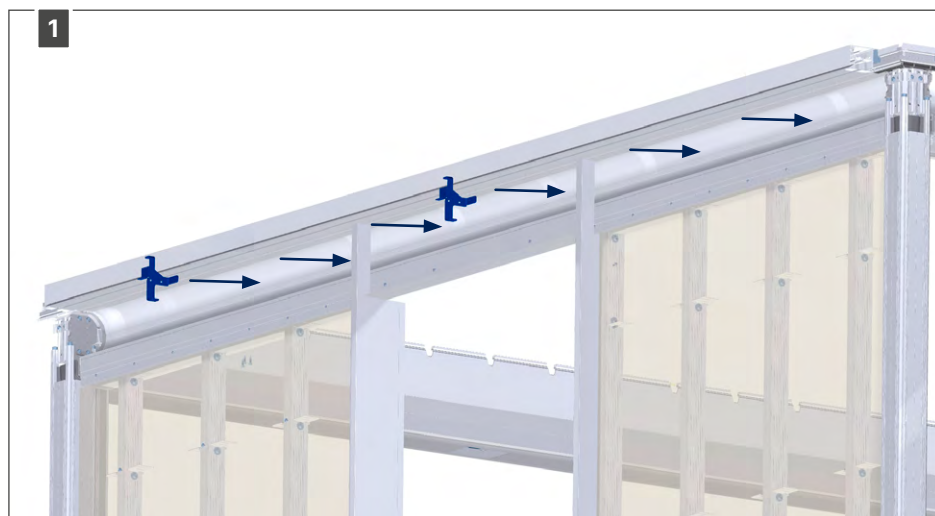
10.9 • Installation of the plinth(s)

Follow the same instructions as in the chapter 9.8 "Fixed wall with door - Linarte"

10.10 • Installation of the vapor barrier

Follow the same instructions as in the chapter 9.9 "Fixed wall with door - Linarte"

10.11 • Installation of the brackets in the upper beam - unfinished



FIXED WALL WITH DOOR - CASCO

10.12 • Installation of the front brackets to the aluminium supports

Follow the same instructions from the chapter "Fixed wall - Unfinished" - 8.6

10.13 • Installation of the aluminium support profile at the bottom of the wall

Follow the same instructions from the chapter "Fixed wall - Unfinished" - 8.7

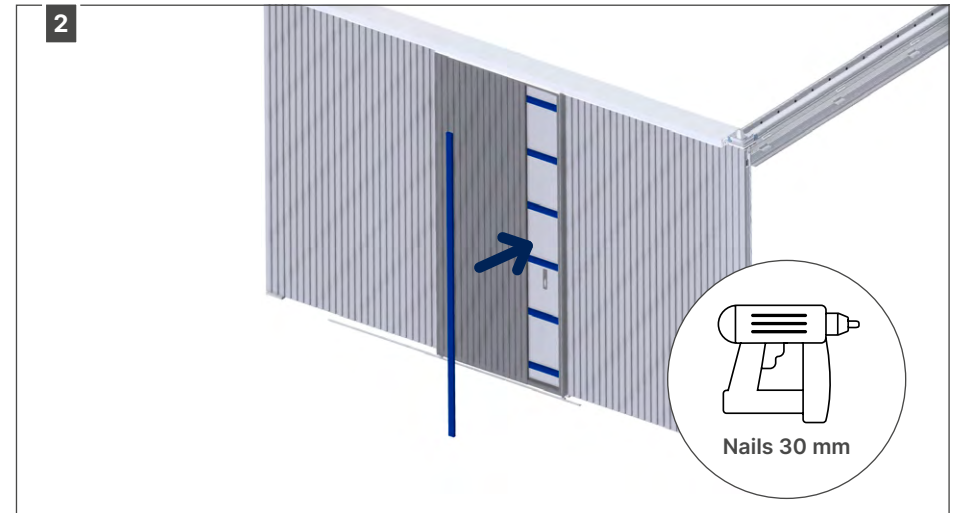
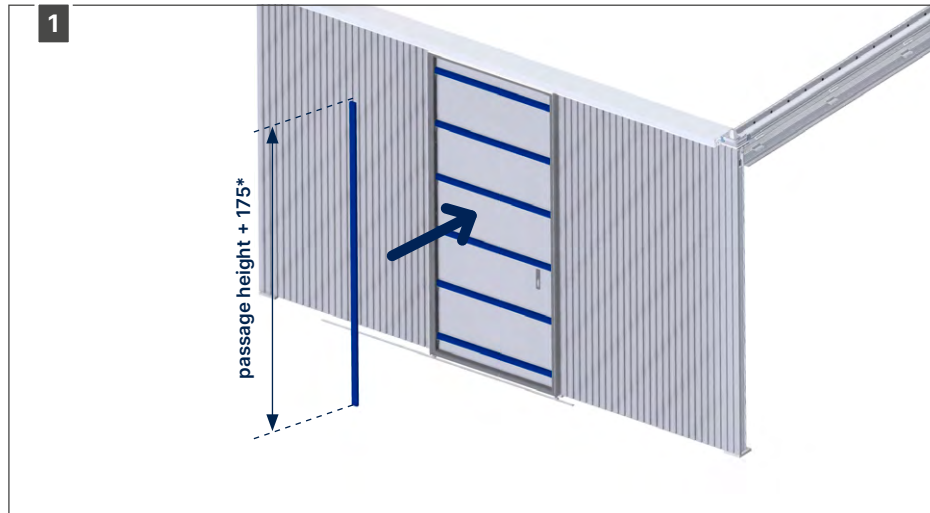
10.14 • Installation of the Casco supporting profiles

Follow the same instructions from the chapter "Fixed wall - Unfinished" - 8.8

10.15 • Installation of the ventilation profile

Follow the same instructions from the chapter "Fixed wall - Unfinished" - 8.9

10.16 • Installation of the wooden cladding

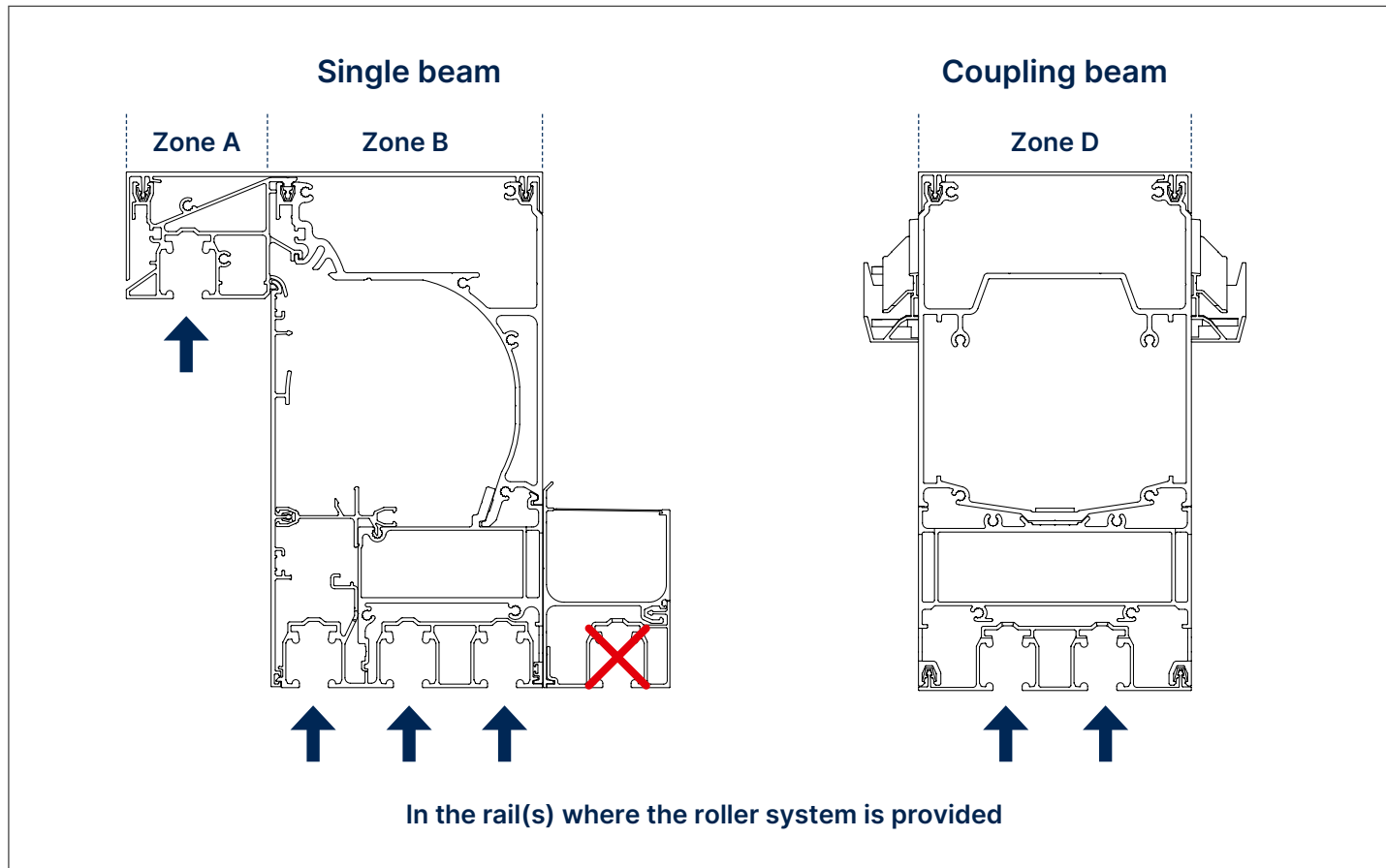


* In case the fixed wall with door is positioned under the couple beam, the length of the wood is equal to the passage height - 40 mm (length wood = PH - 40 mm).

11 • Loggia

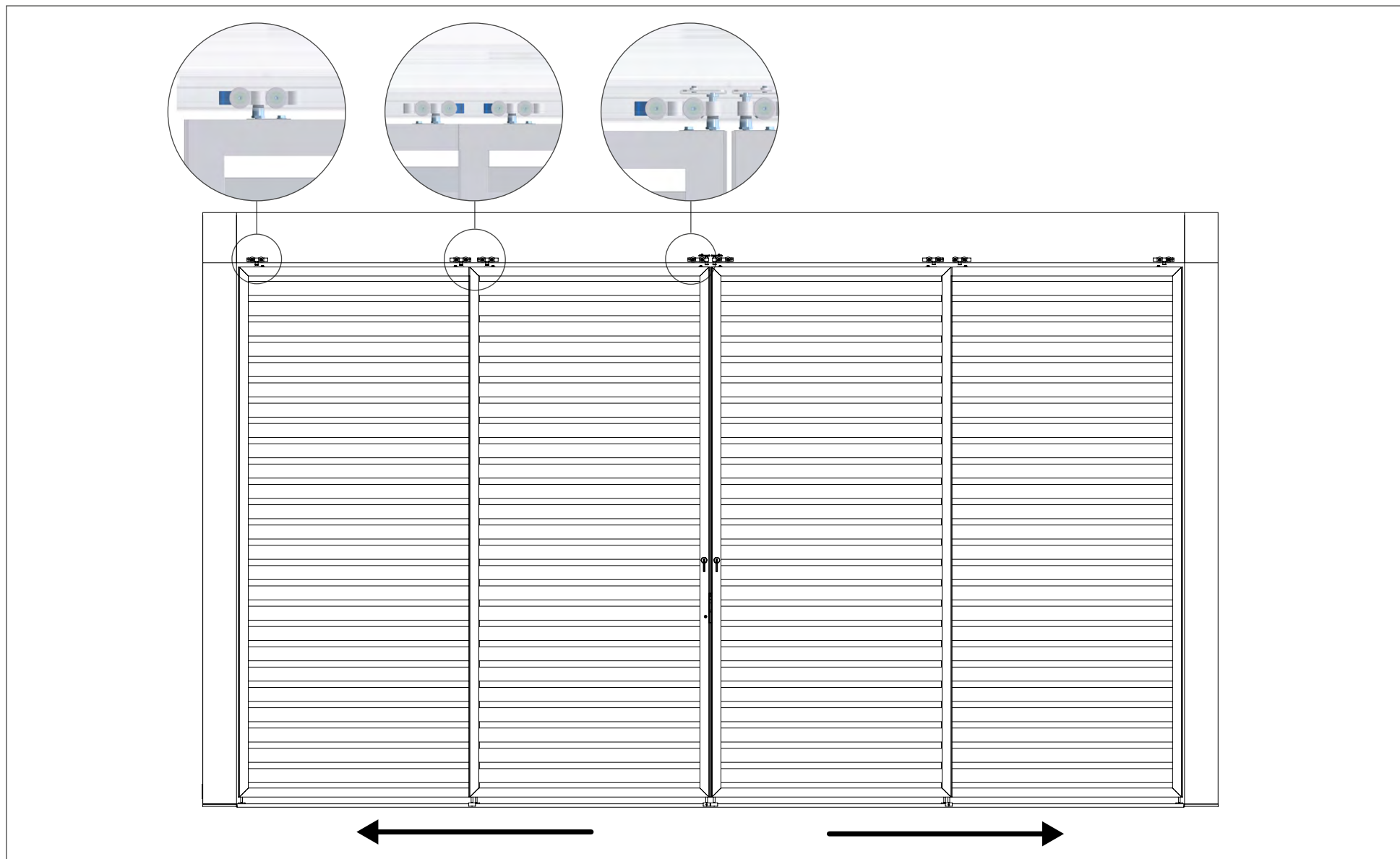
11.1 • Loggia sliding panels

Possible positions

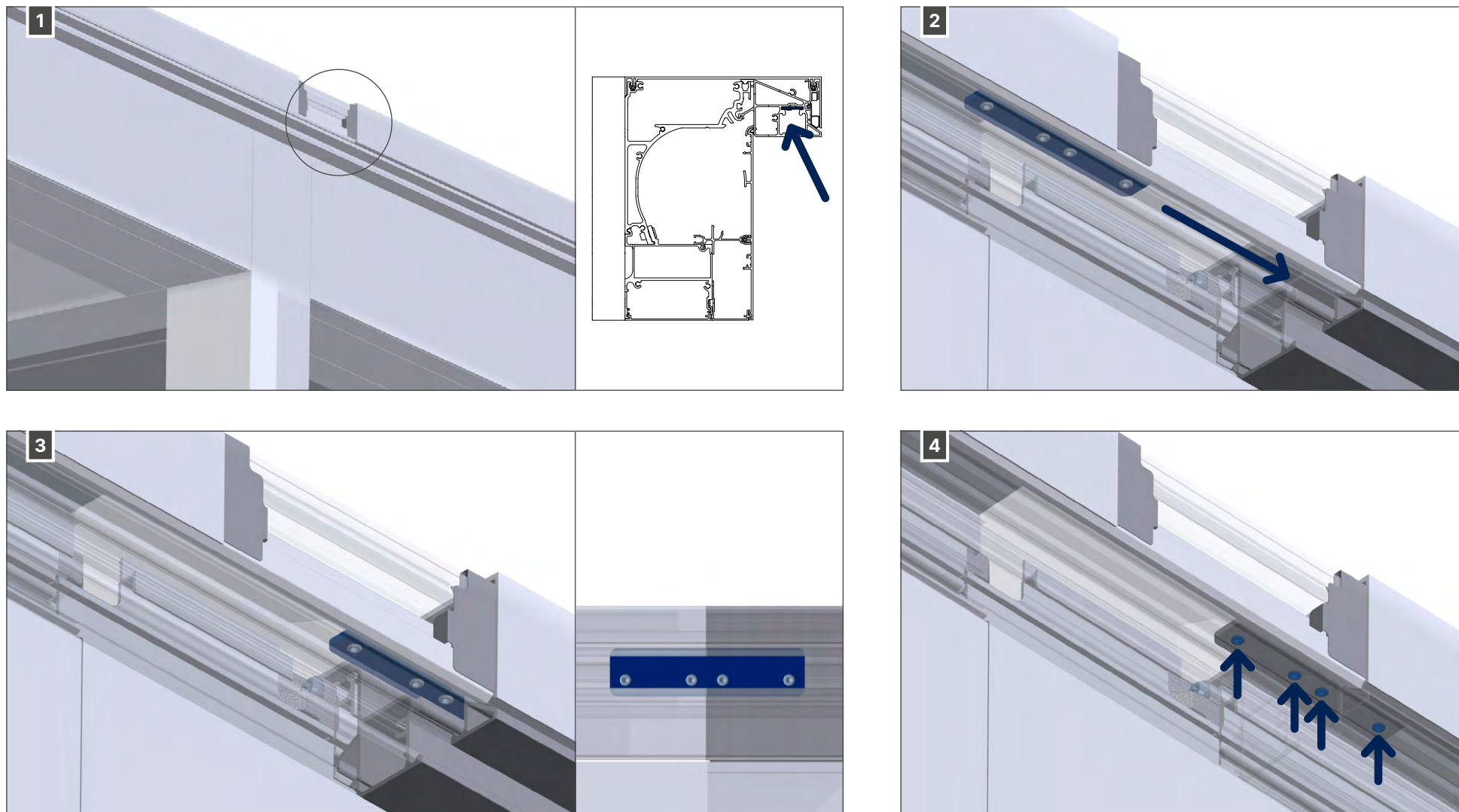


LOGGIA

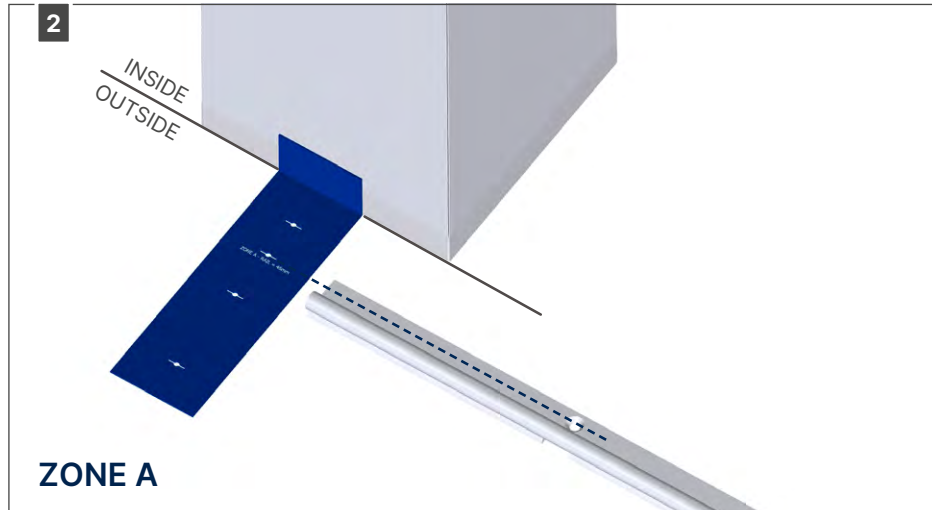
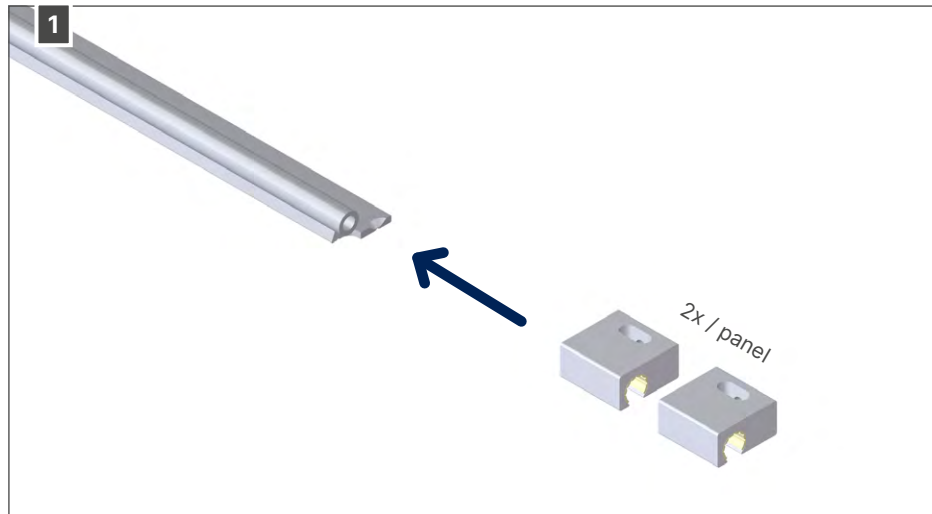
Roller assembly positions



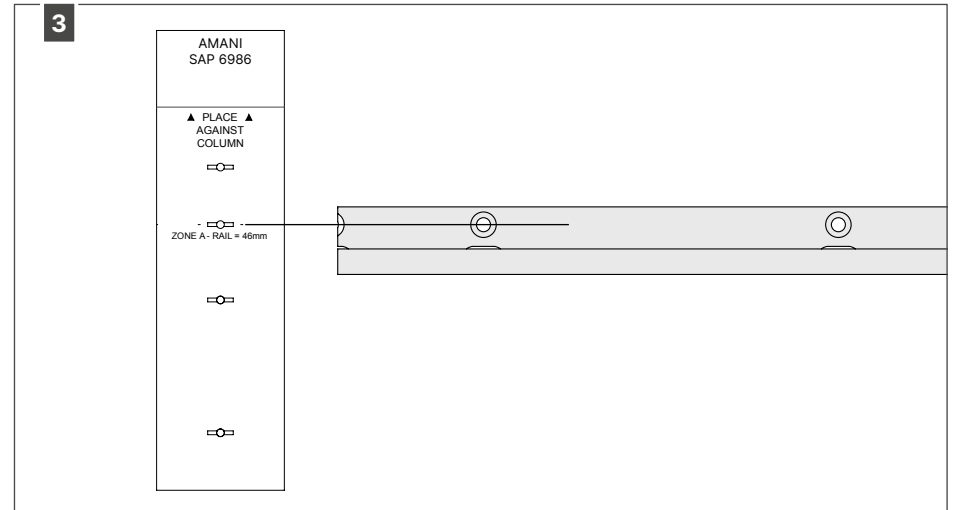
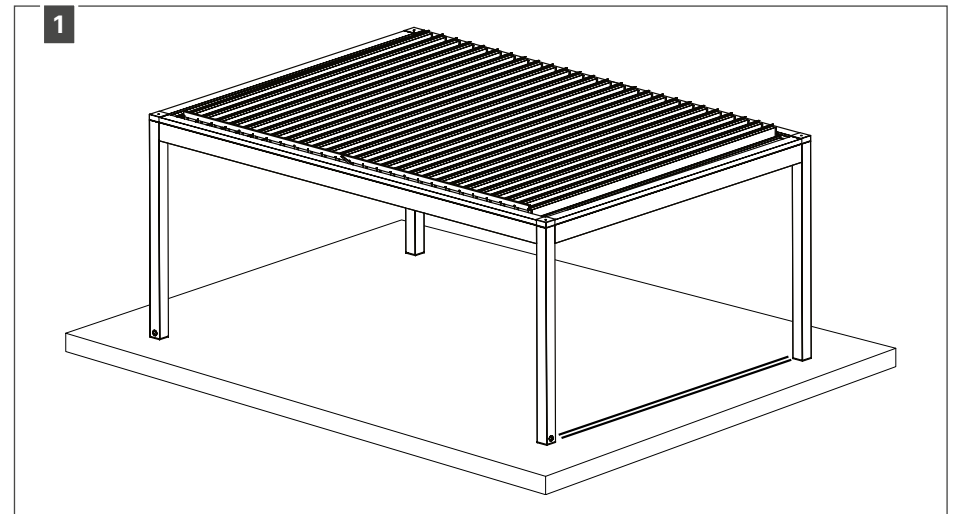
In case the Amani has a coupled roof with a rail in zone A, the following installation step is required:

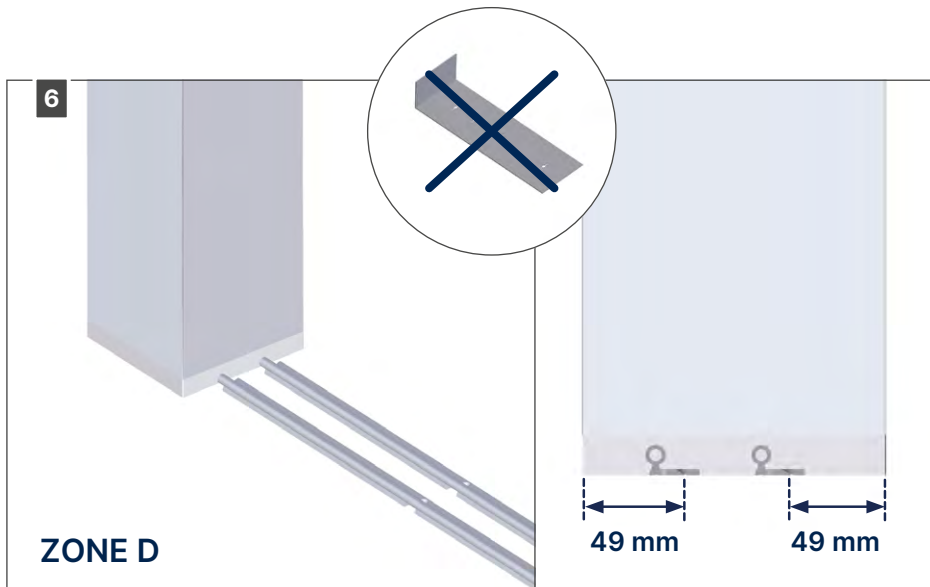
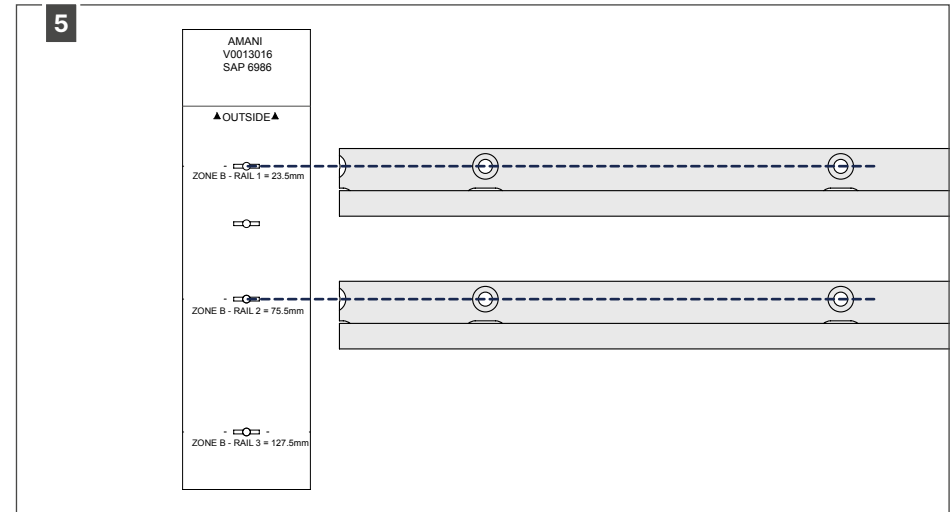
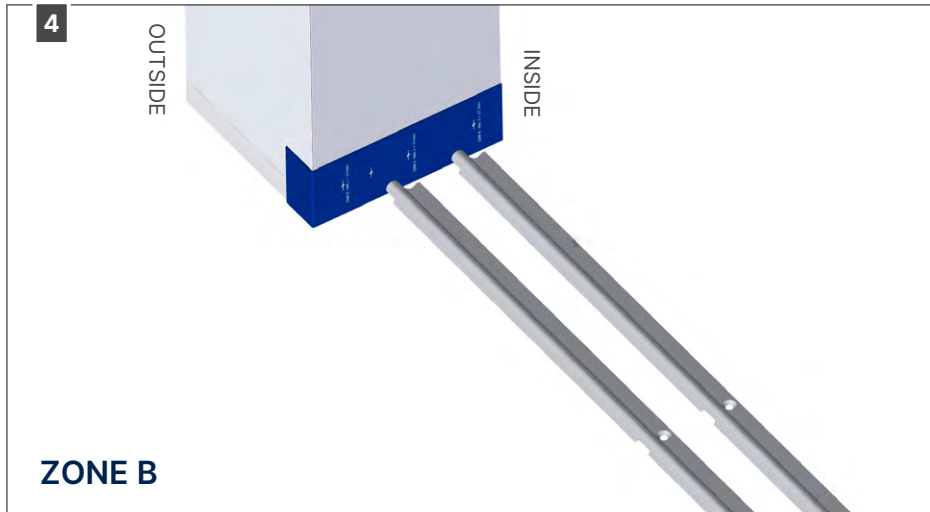


Installing Flexguide channels on bottom rail

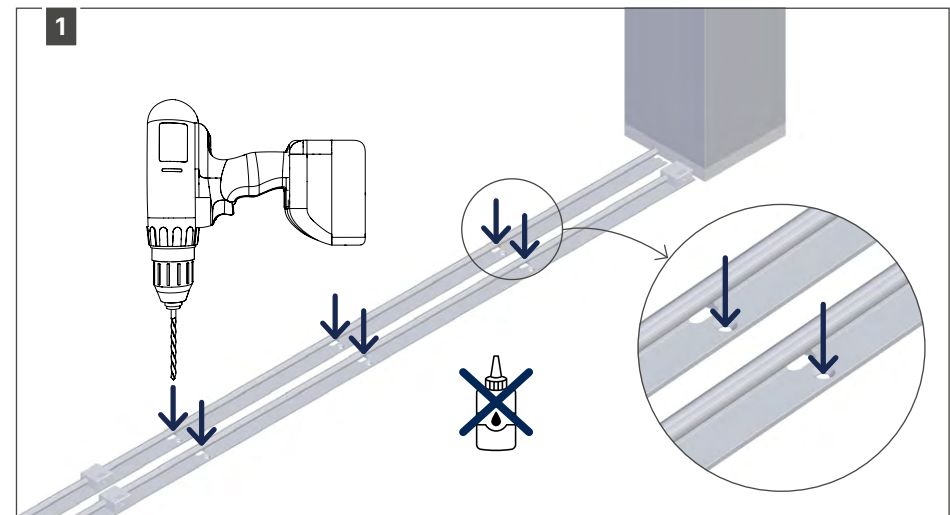


Position of the bottom rail



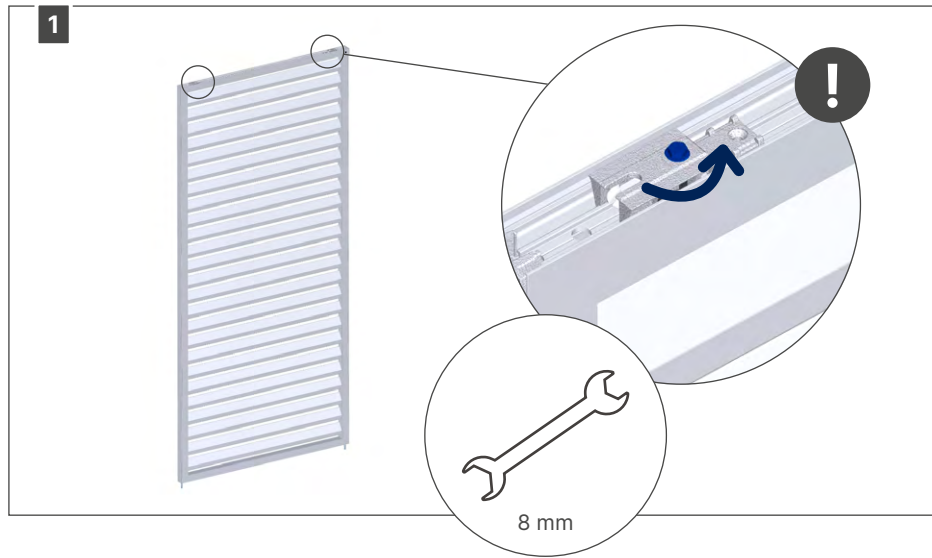


Fixing bottom rails to the substructure



Use screws that are suitable for the surface, e.g. DIN 7982 CH - ST4.2×13 (not supplied).

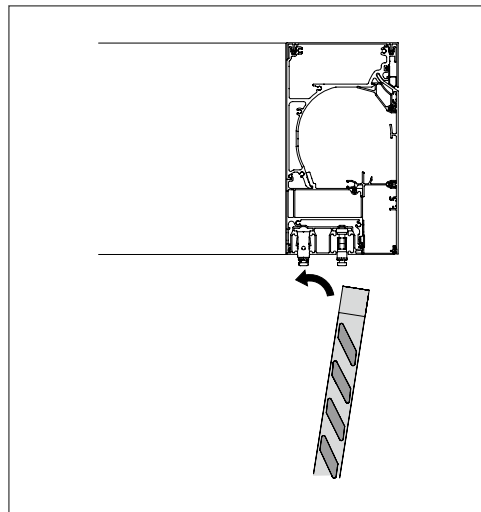
Releasing Autofix



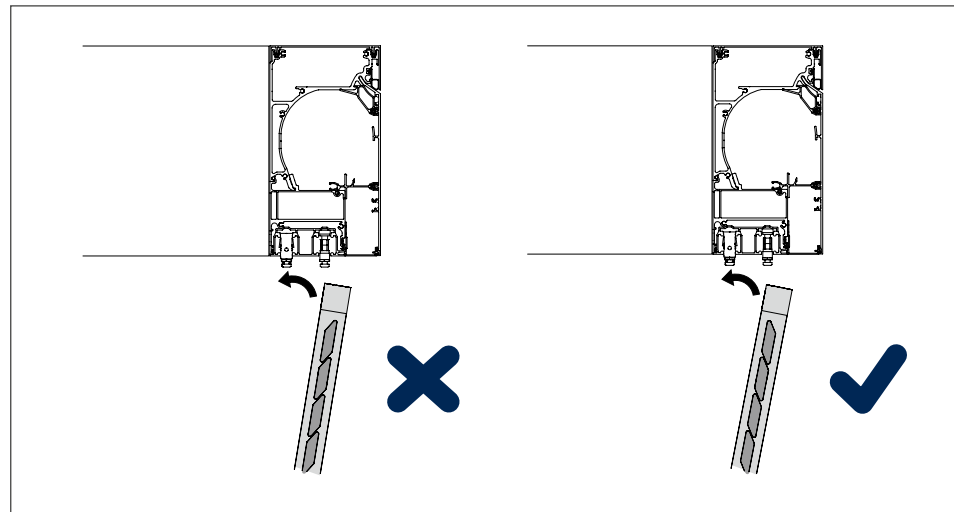
Installing Loggia panel

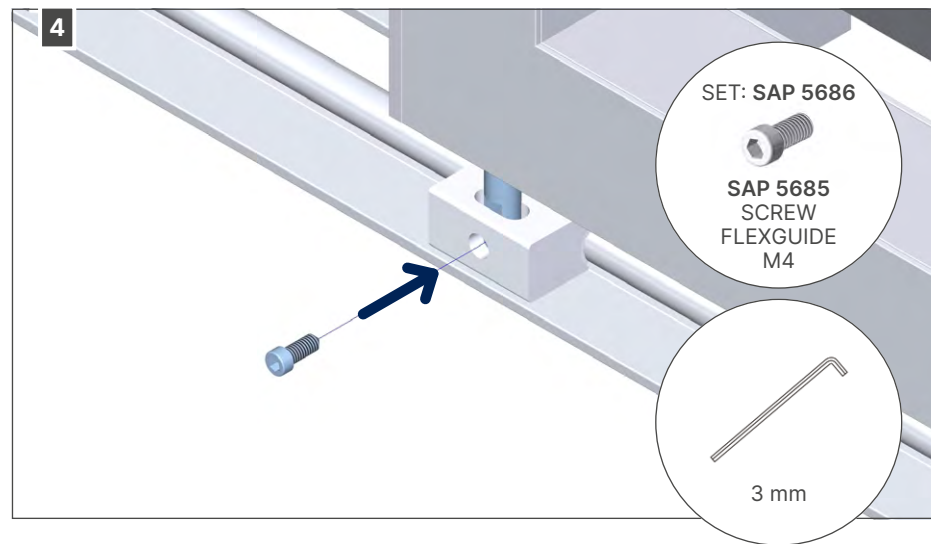
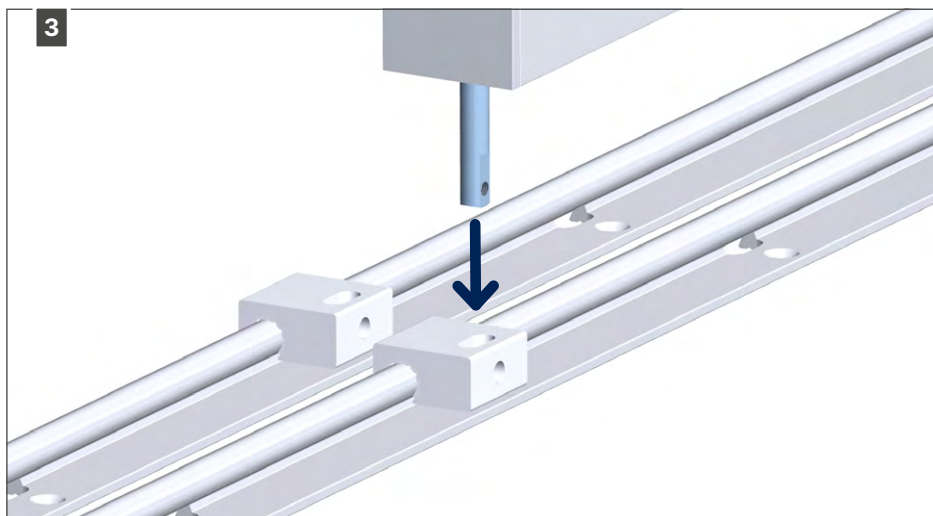
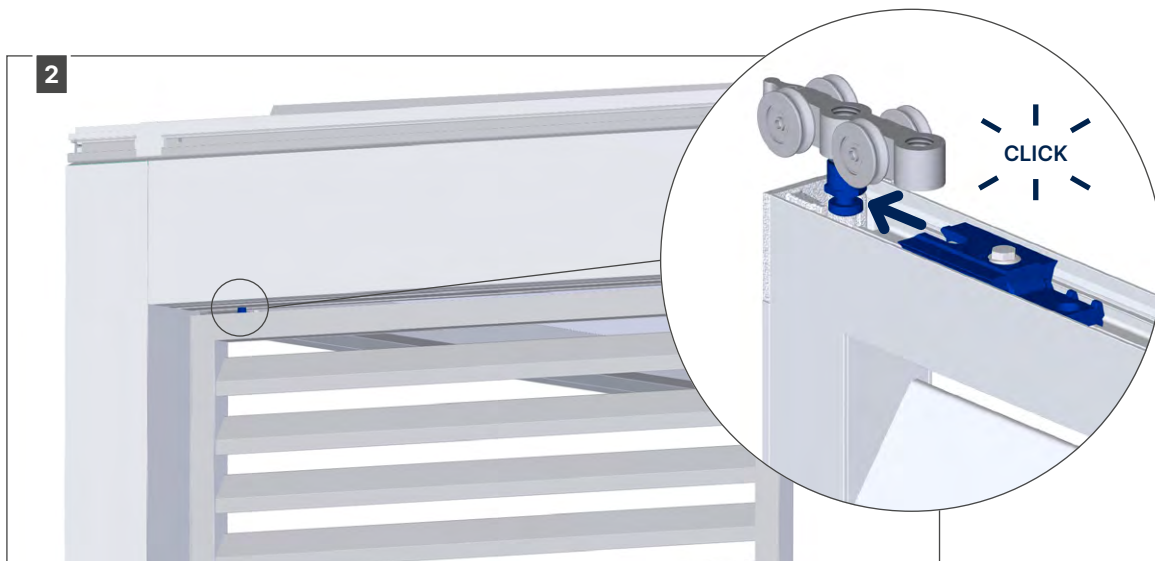


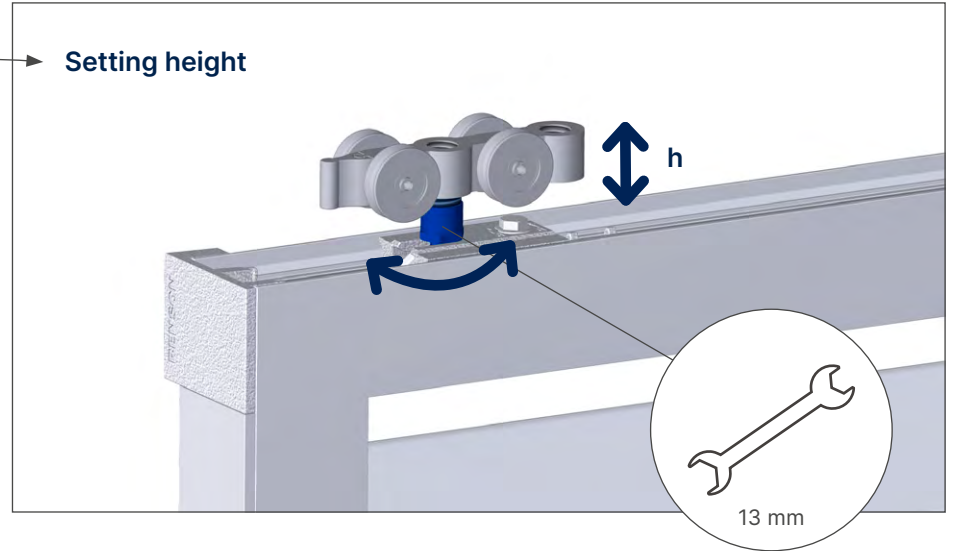
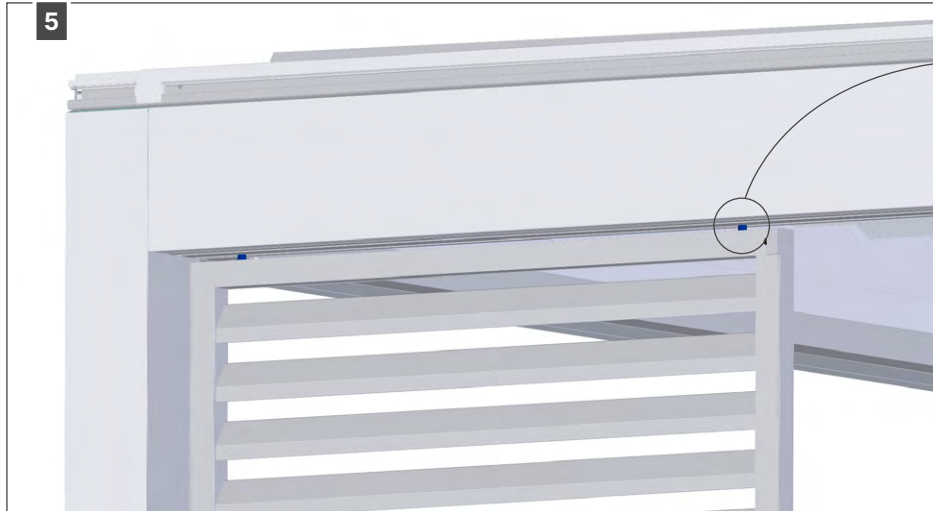
Loggia



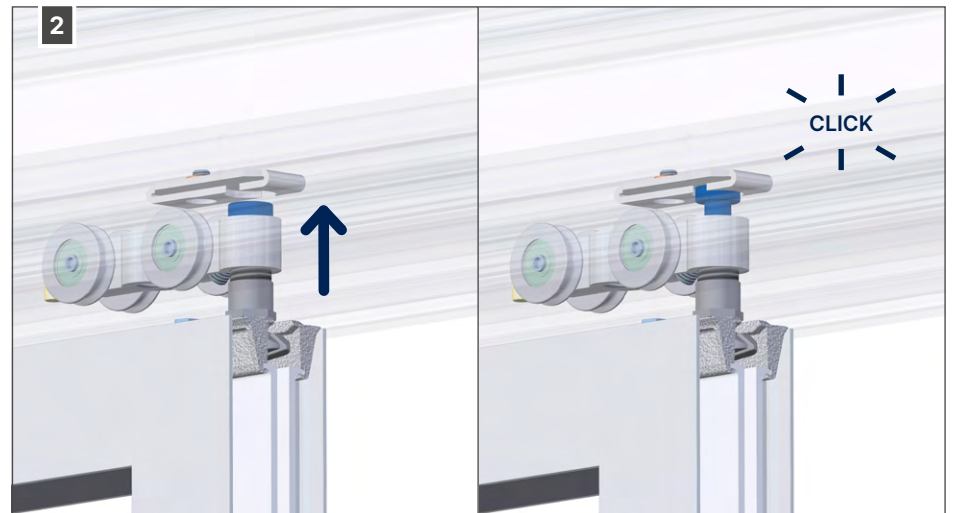
Loggia Privacy

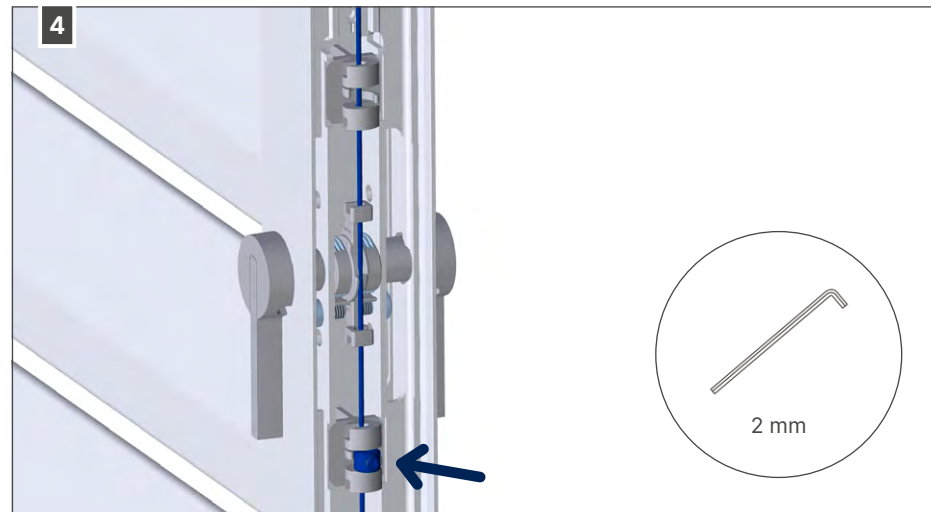






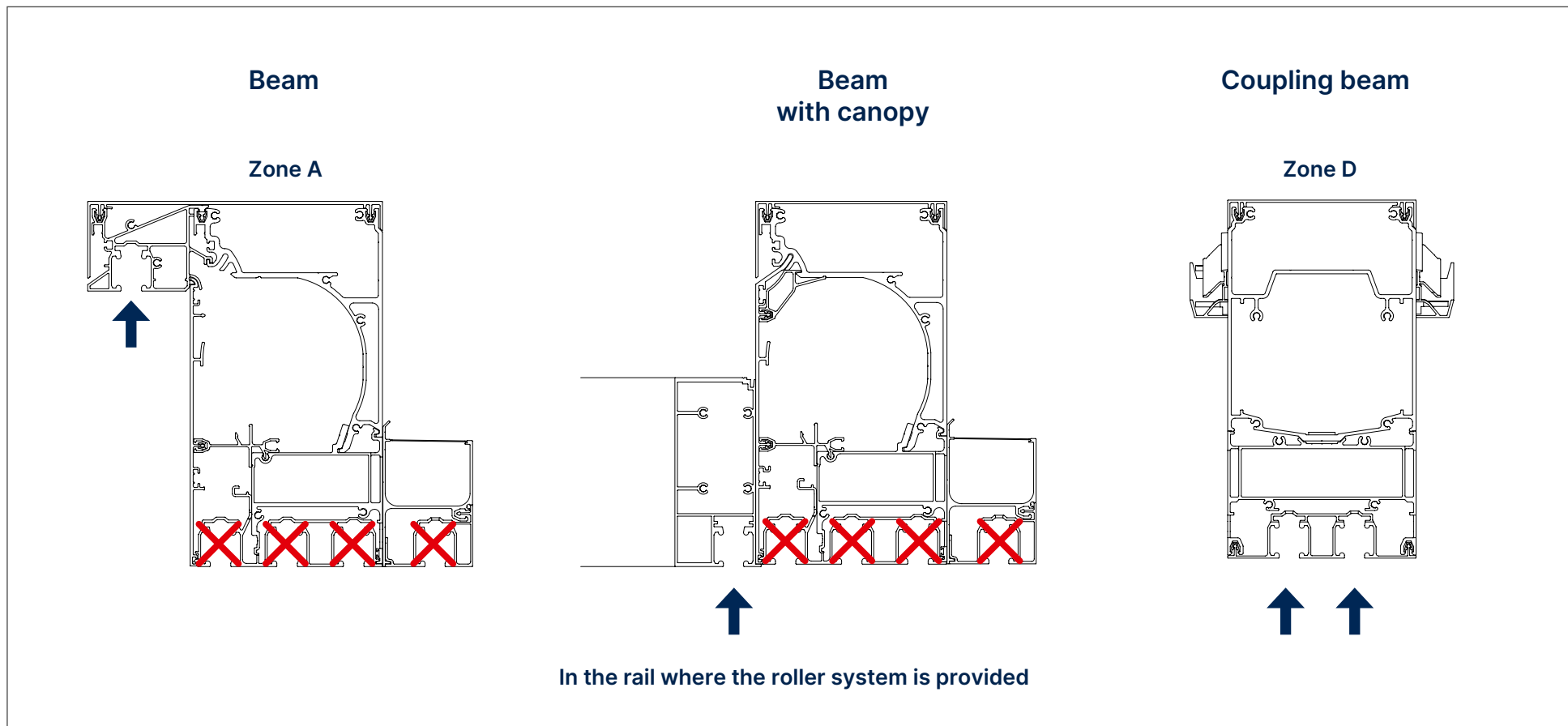
Installing position lock



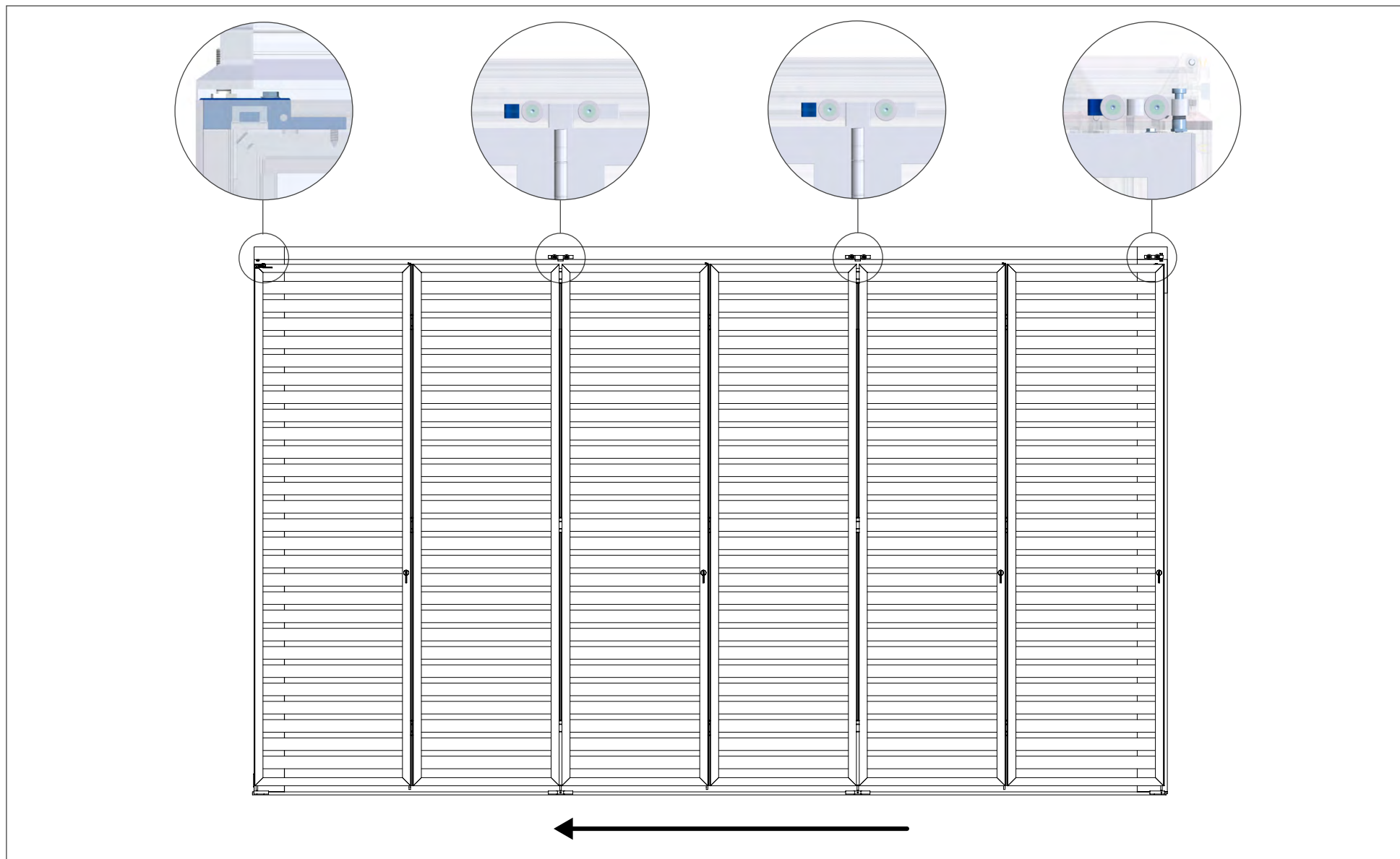


11.2 • Loggia folding panels

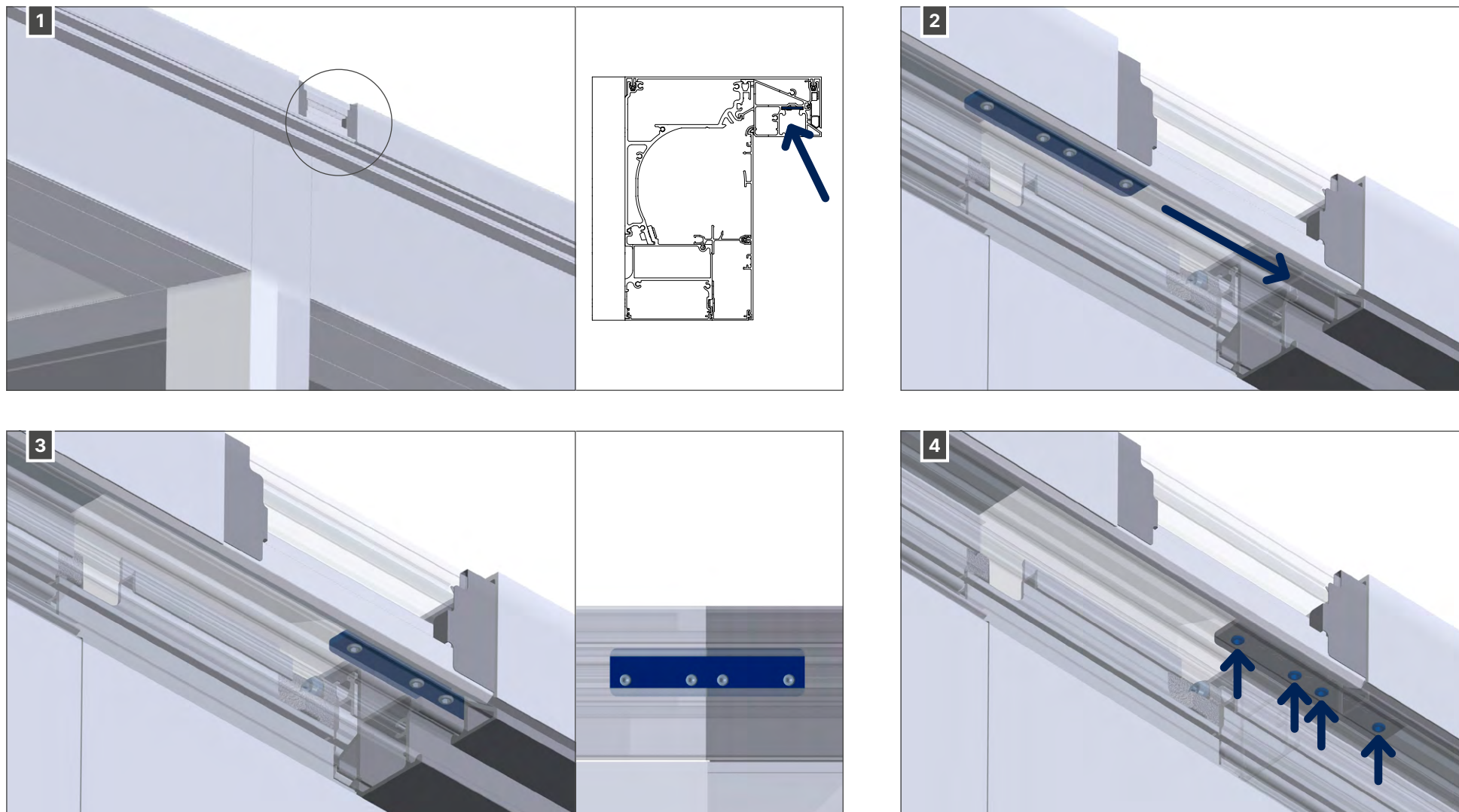
Possible positions



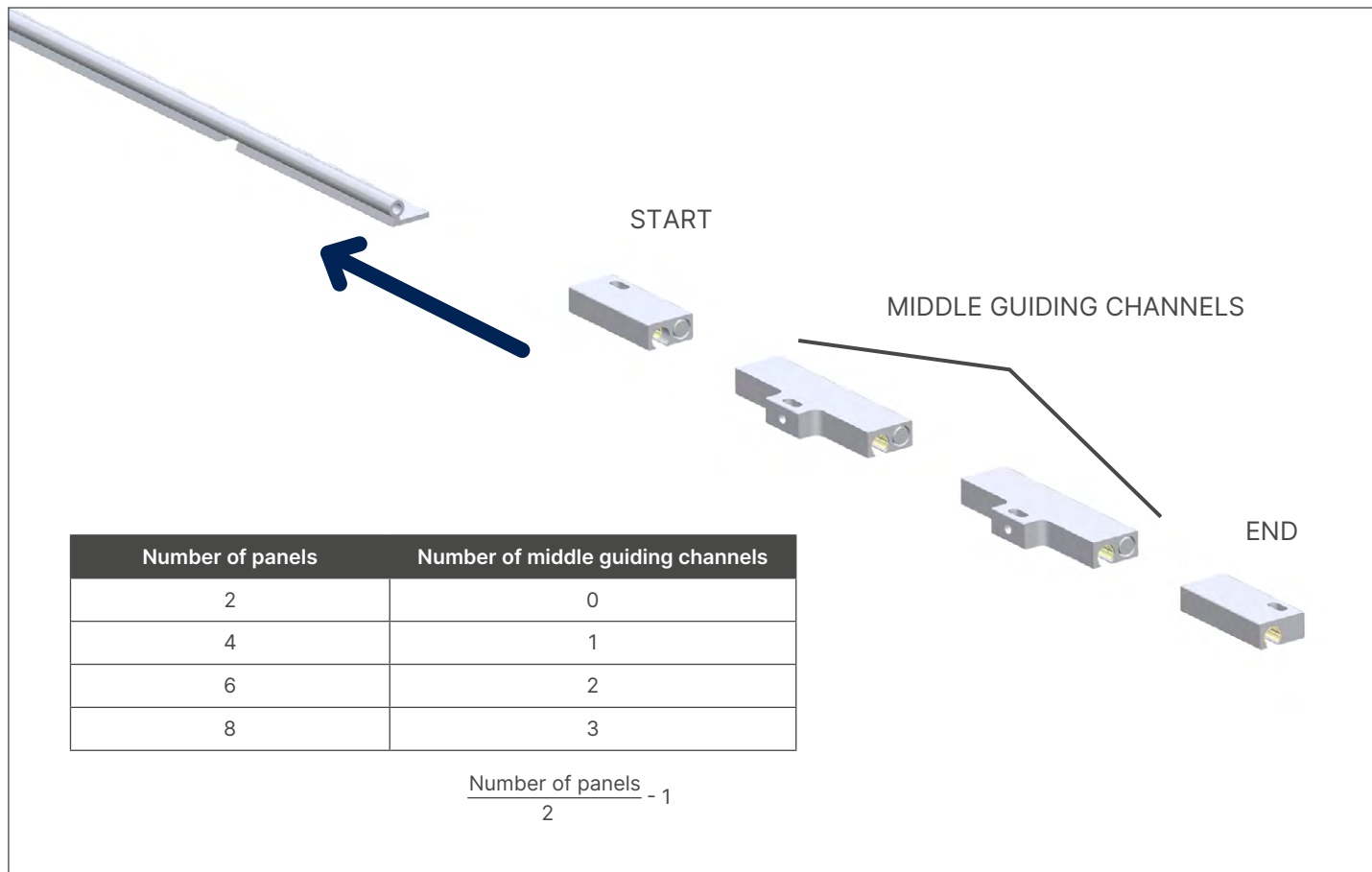
Roller assembly positions



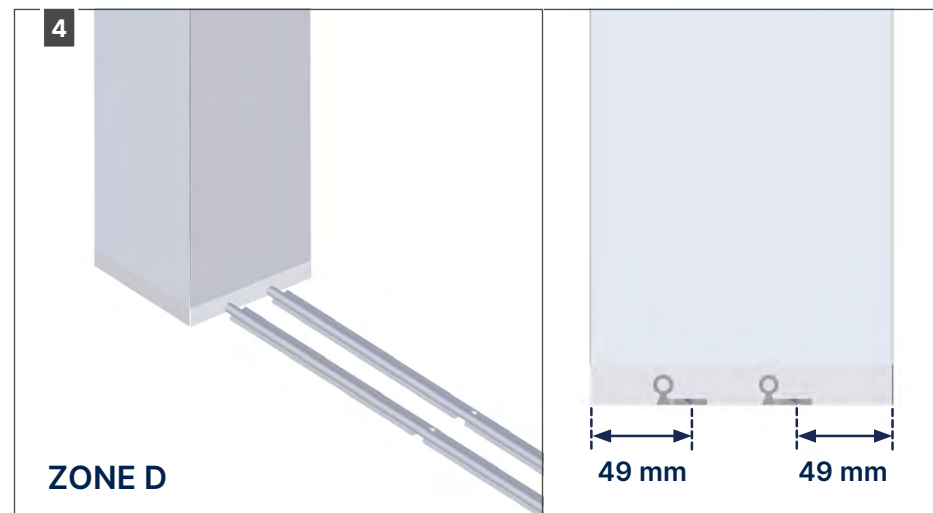
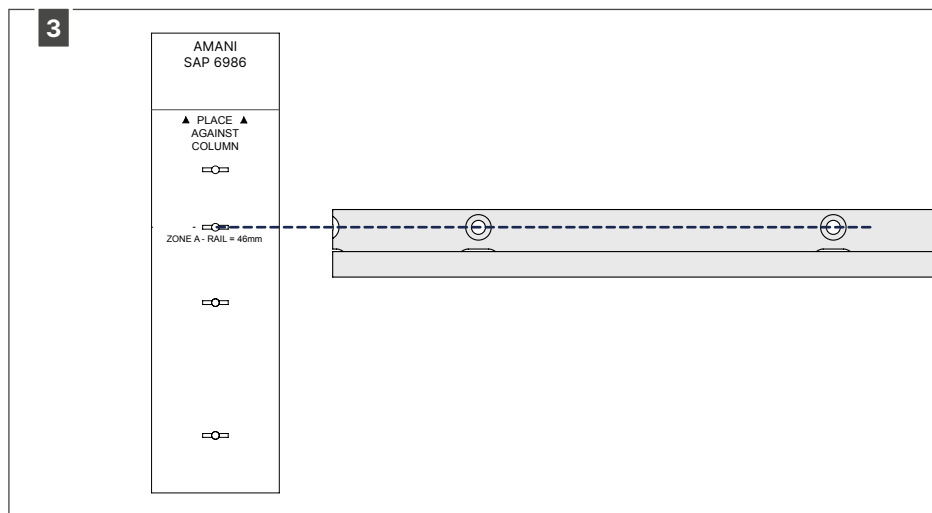
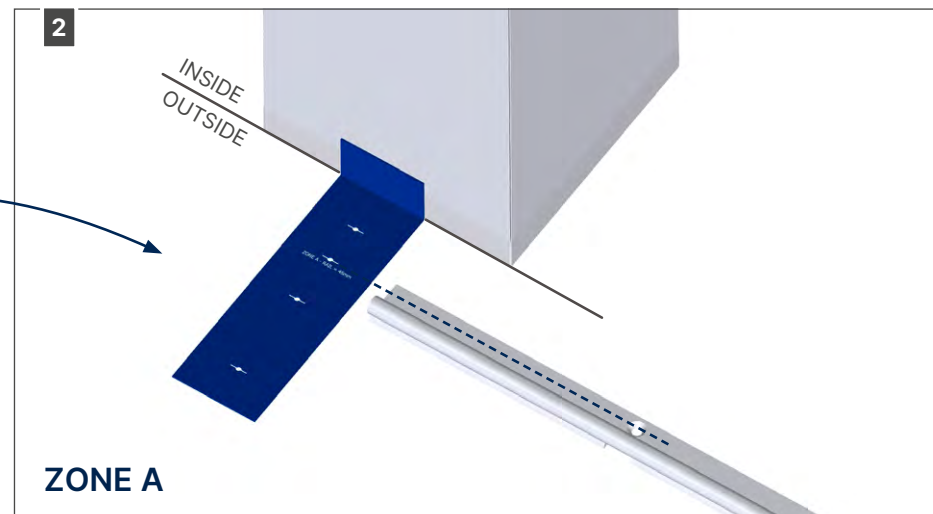
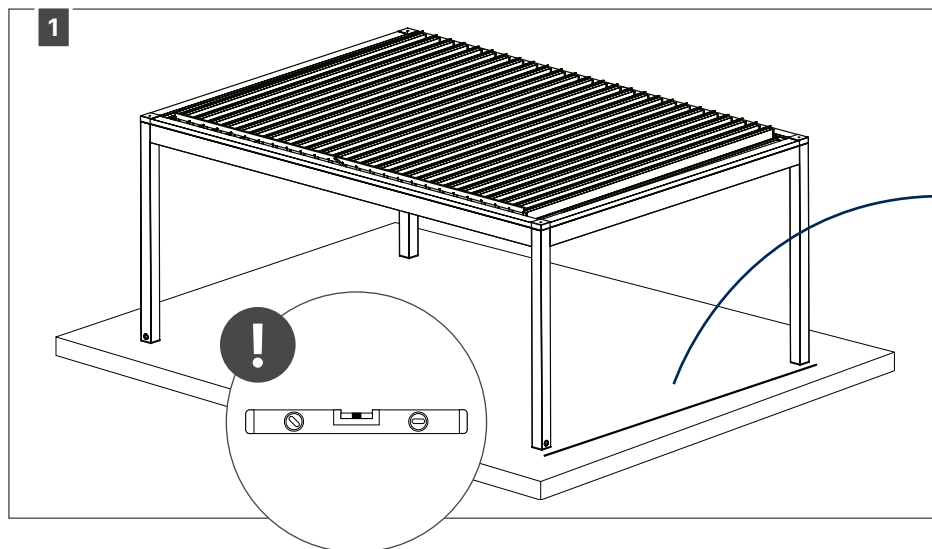
In case the Amani has a coupled roof with a rail in zone A, the following installation step is required:



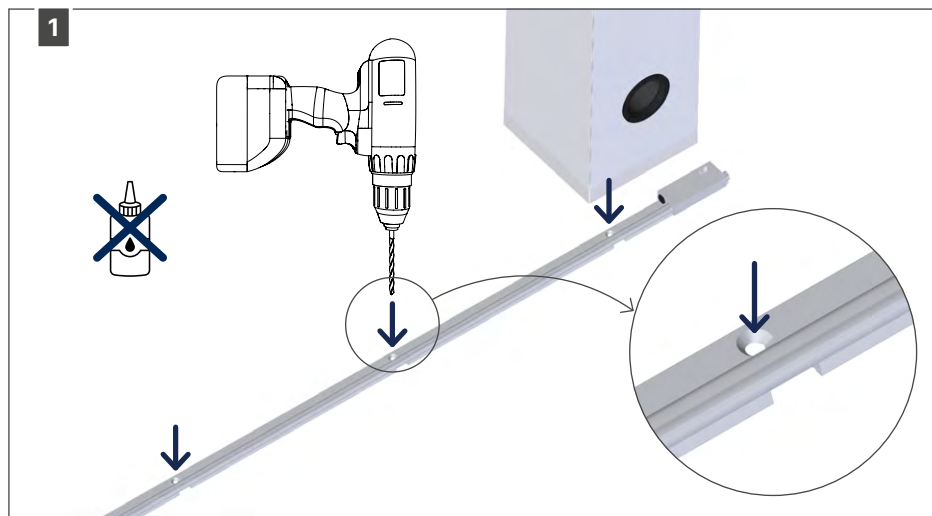
Installing Flexguide channels on bottom rail



Position of the bottom rails

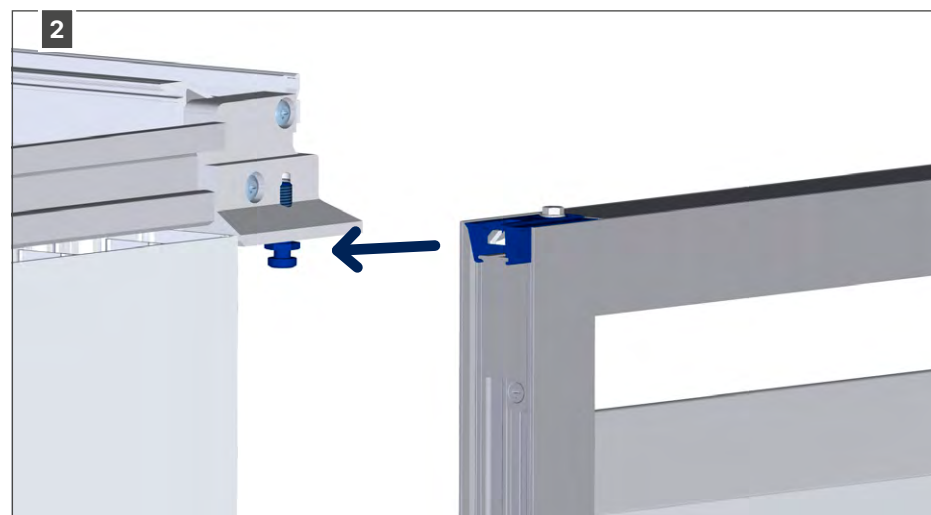
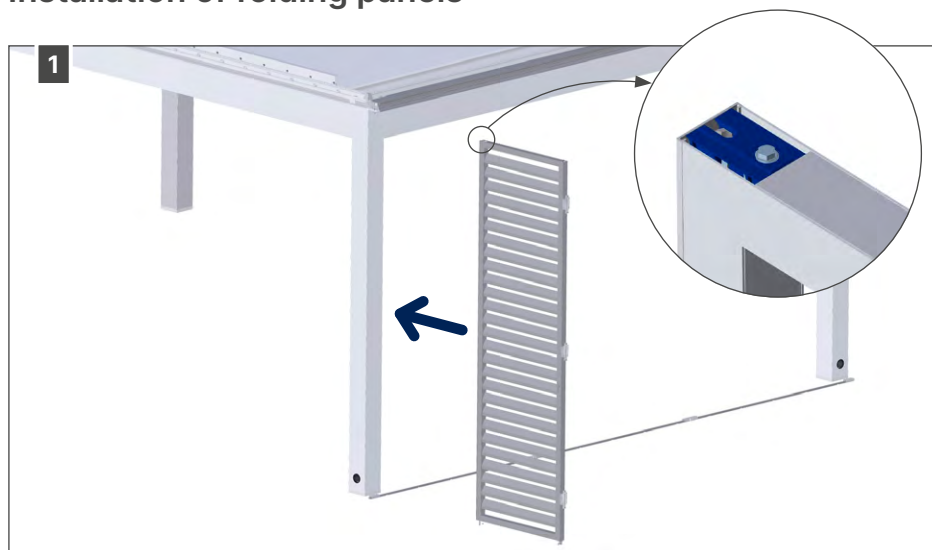


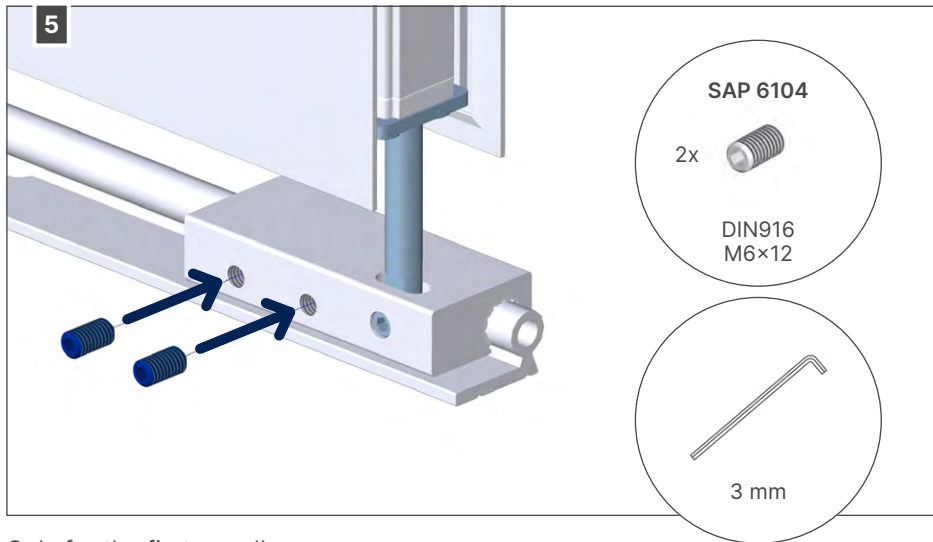
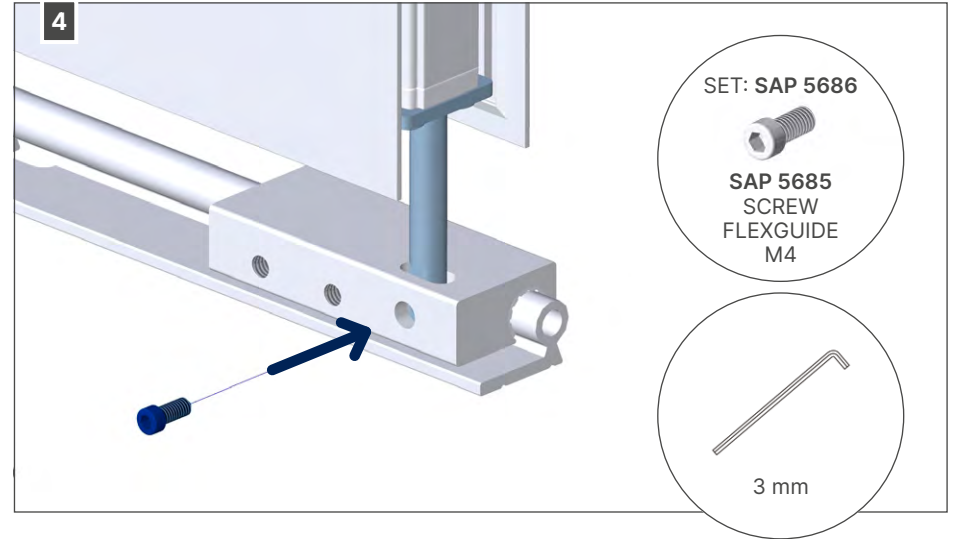
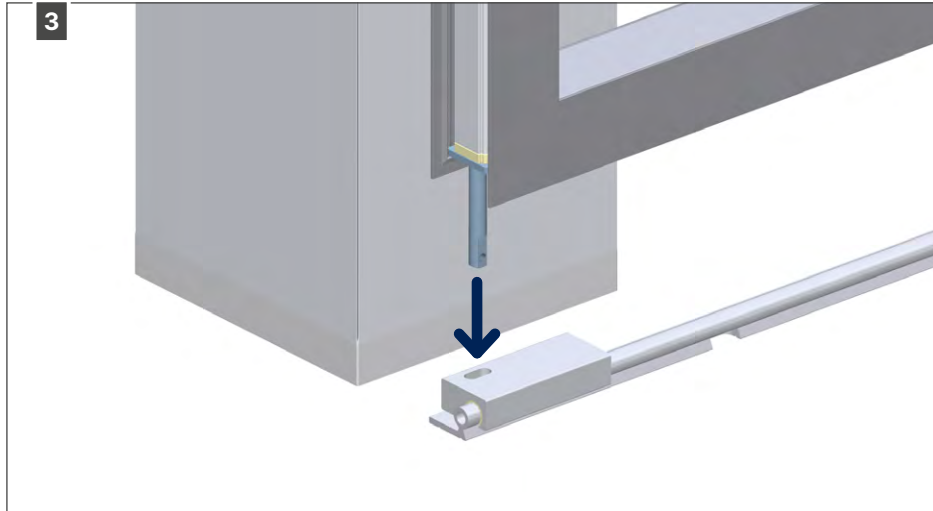
Fixing bottom rails to the substructure



Use screws that are suitable for the surface, e.g. DIN 7982 CH - ST4.2×13 (not supplied).

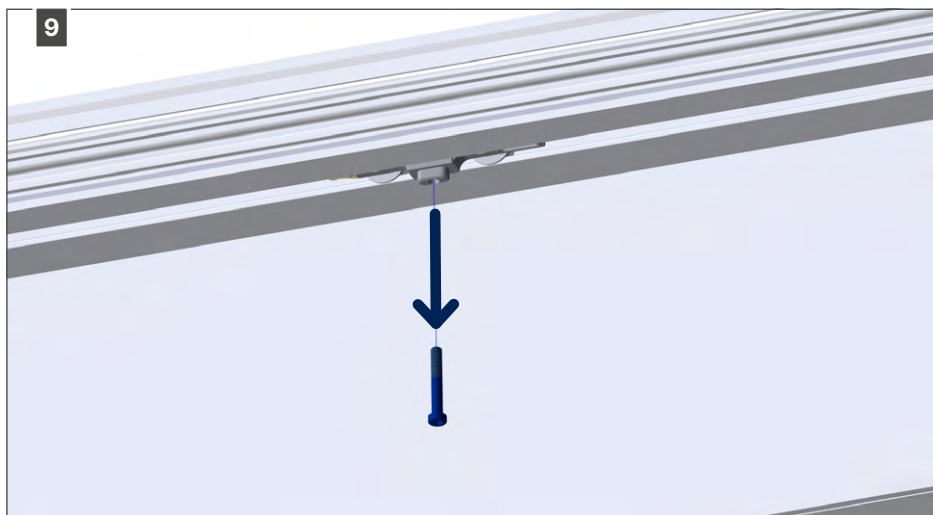
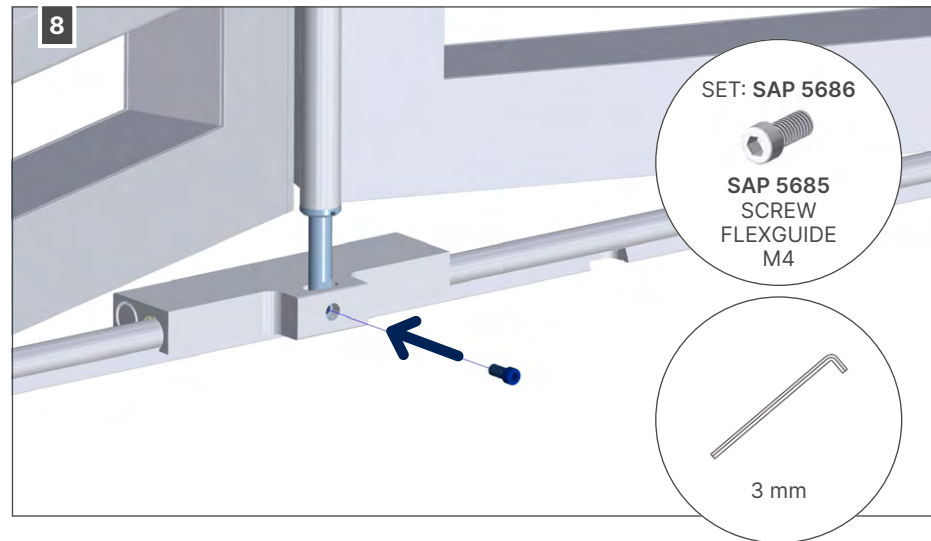
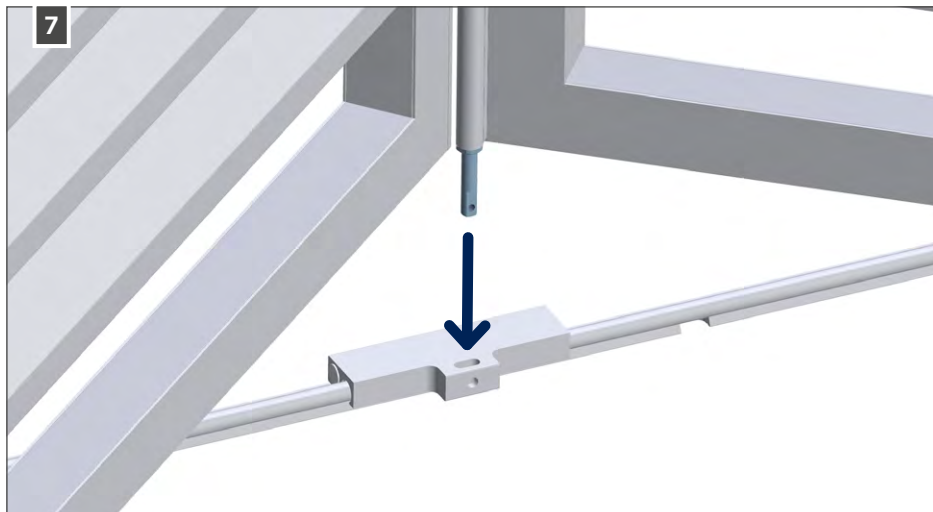
Installation of folding panels



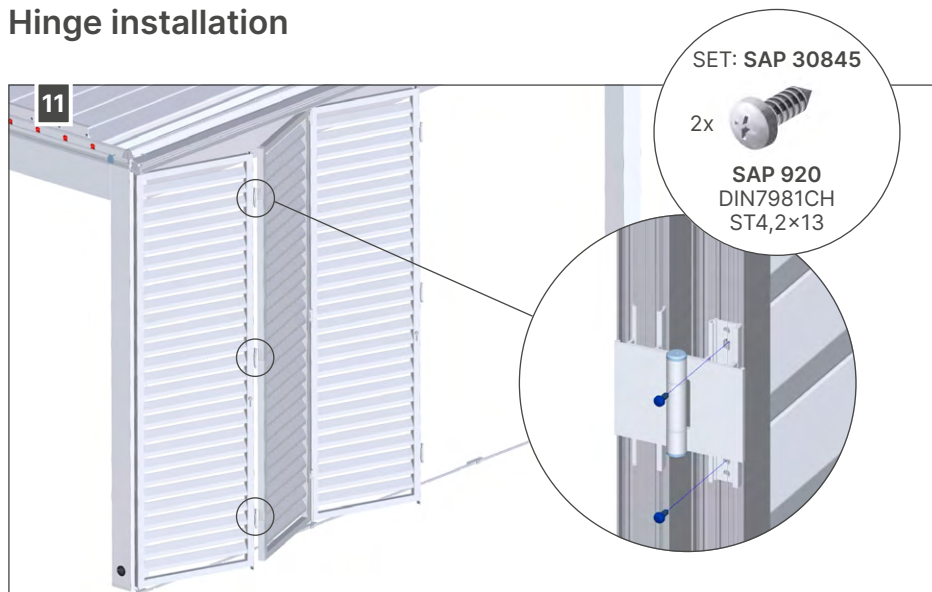


Only for the first panel!

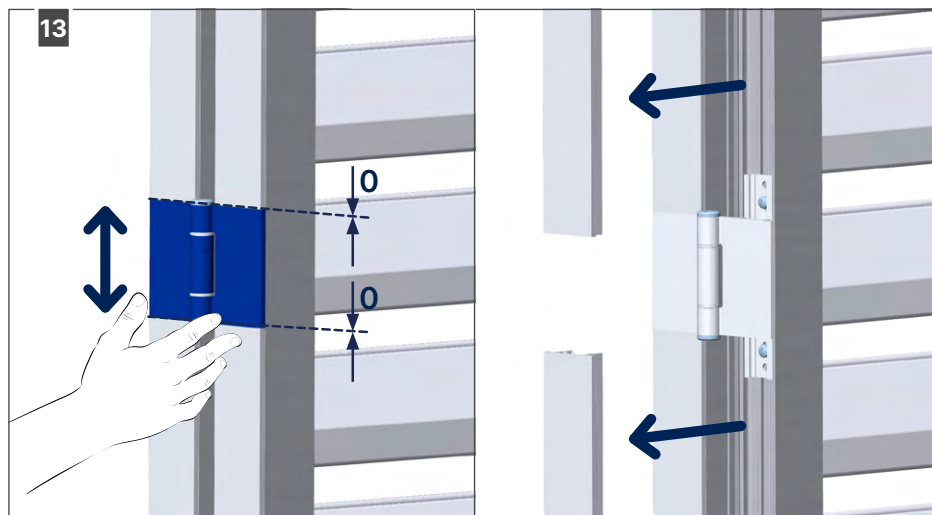
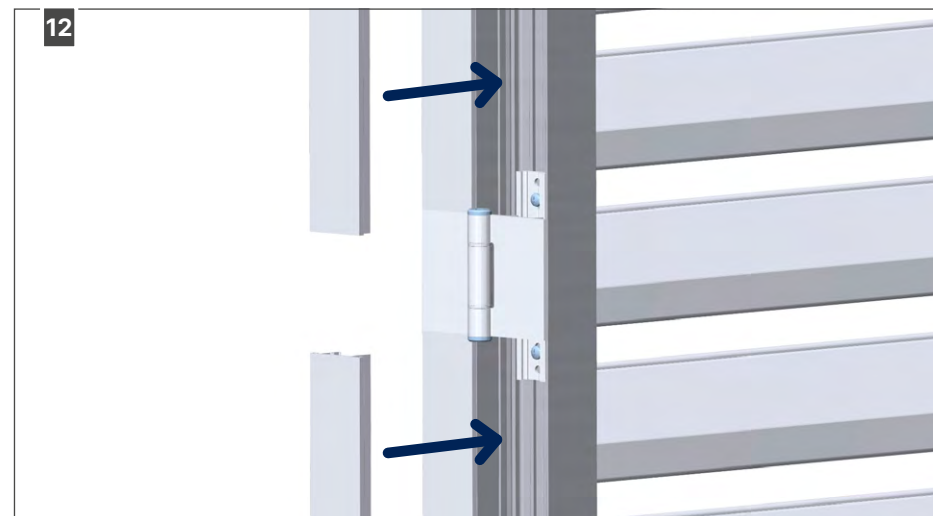




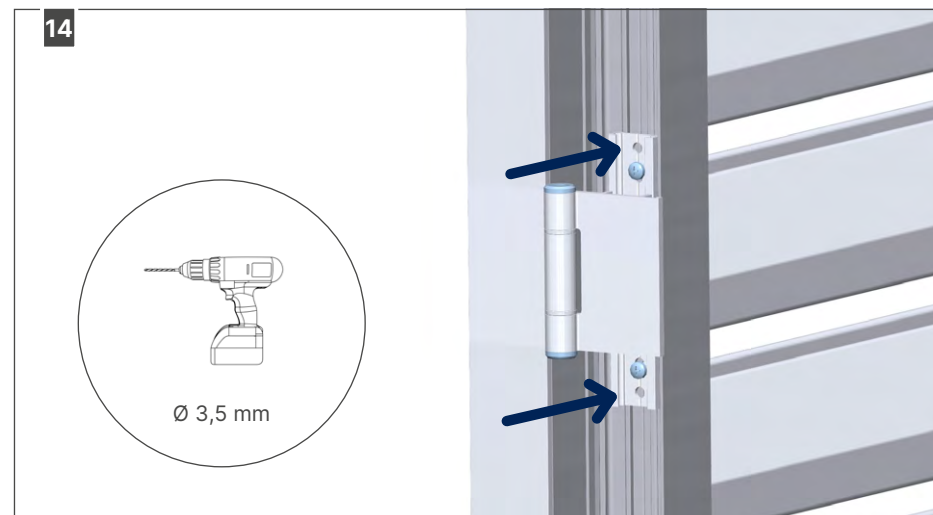
Hinge installation



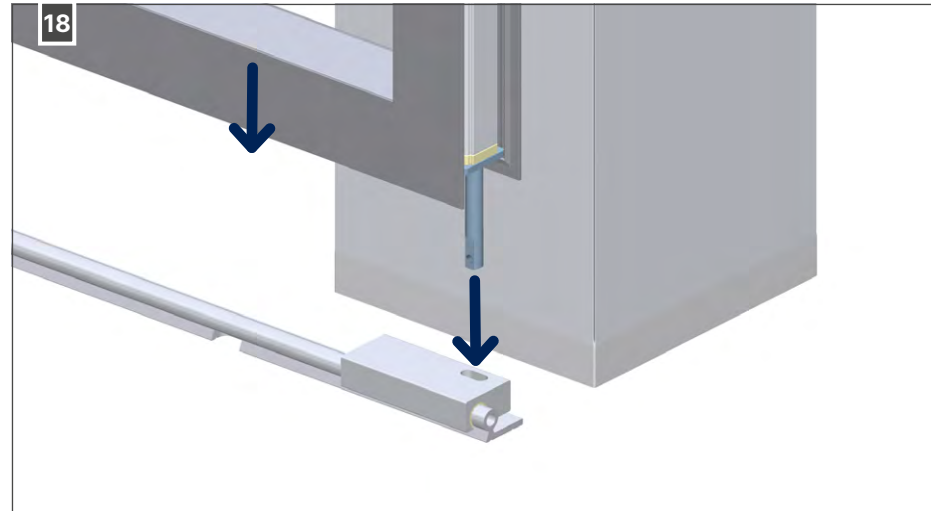
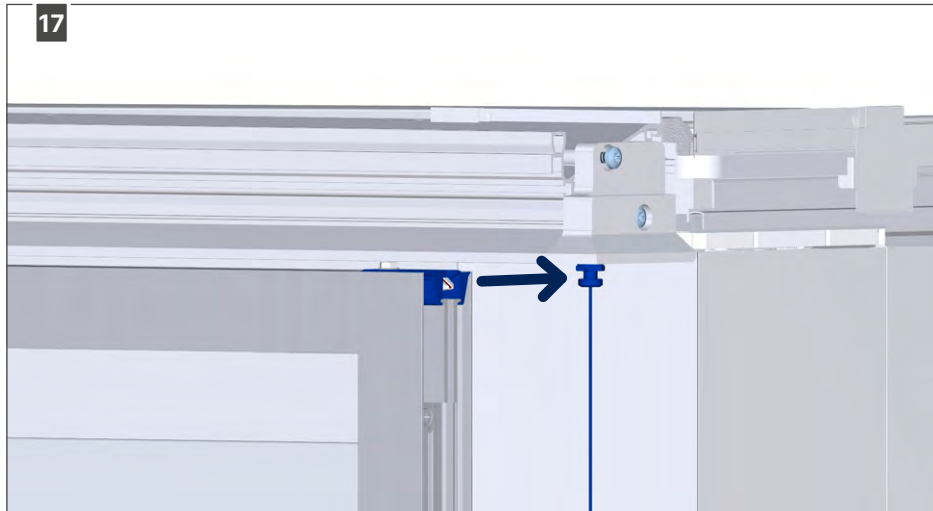
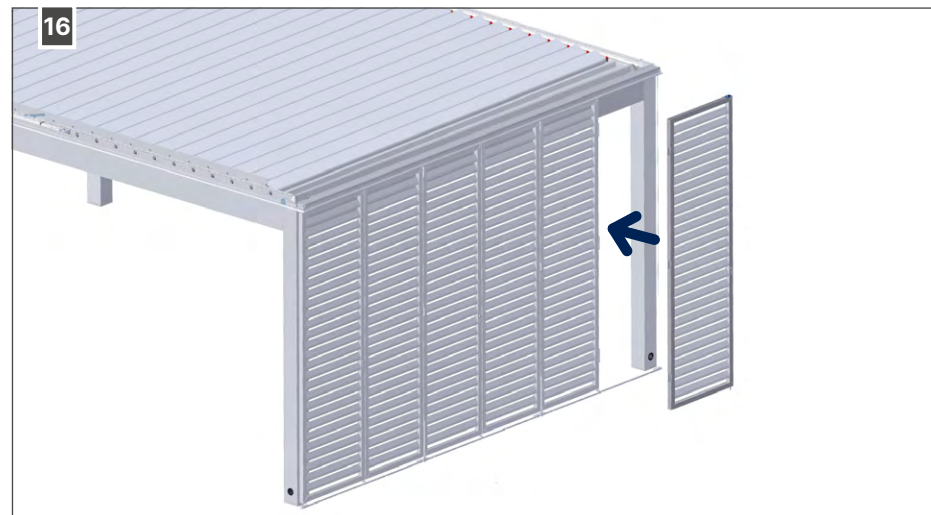
Installing cover plates

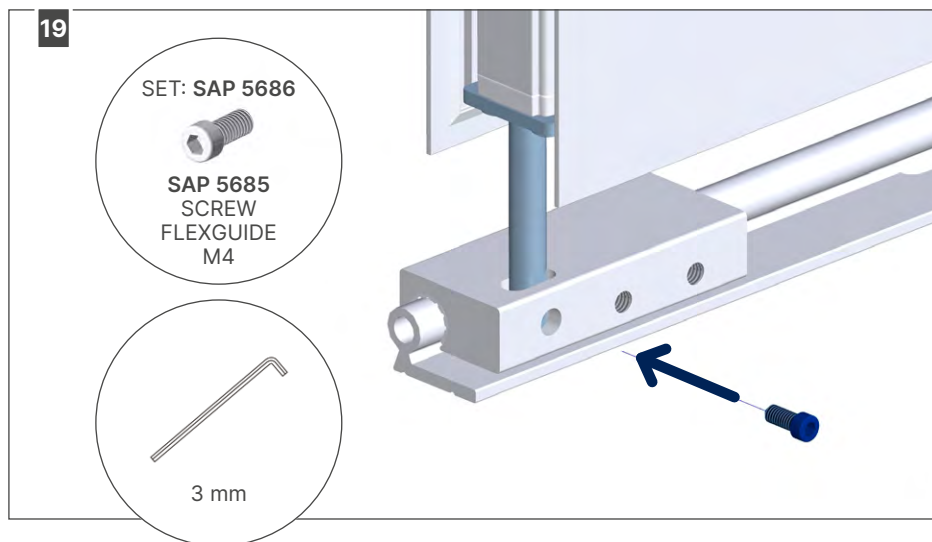


Make sure the cover plates reach up to the hinge.

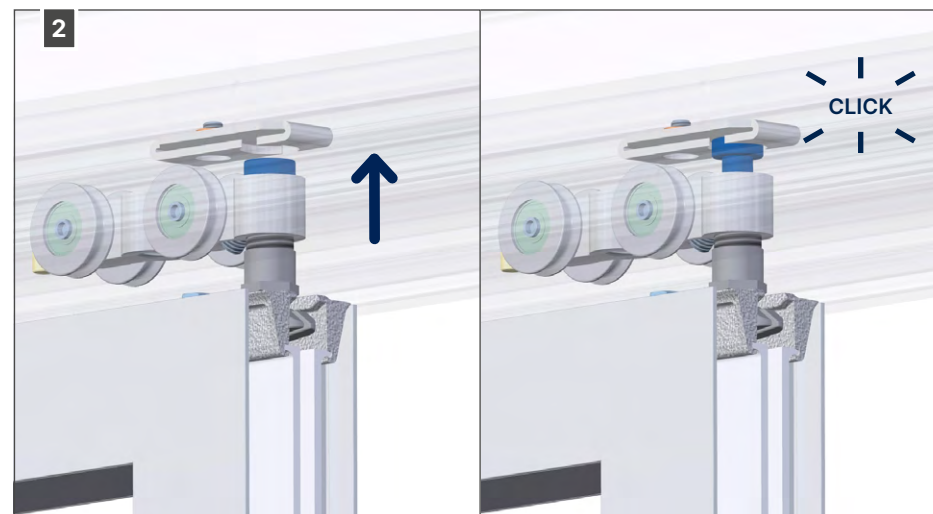


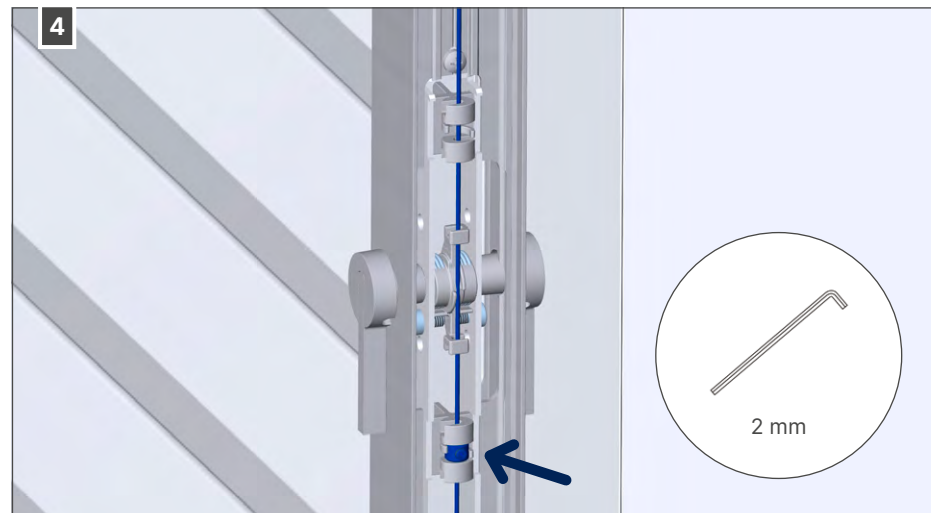
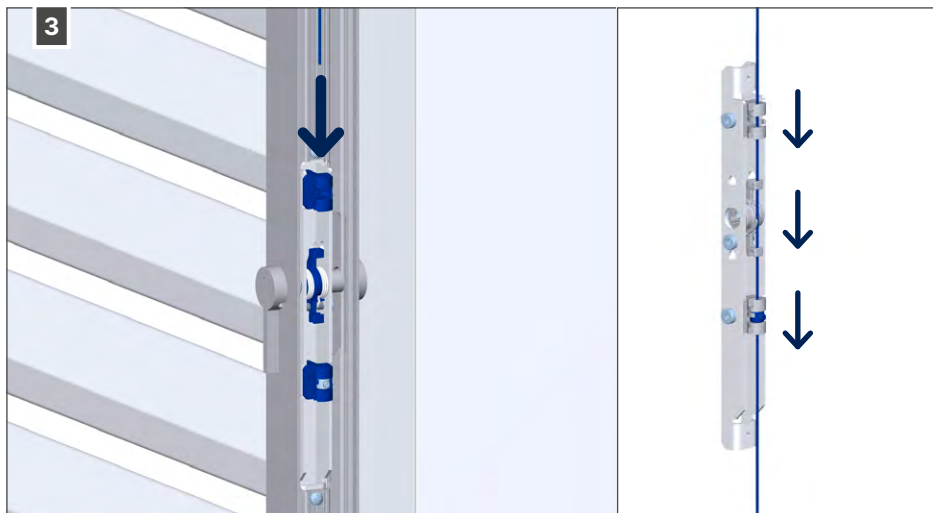
Installation of last folding panel



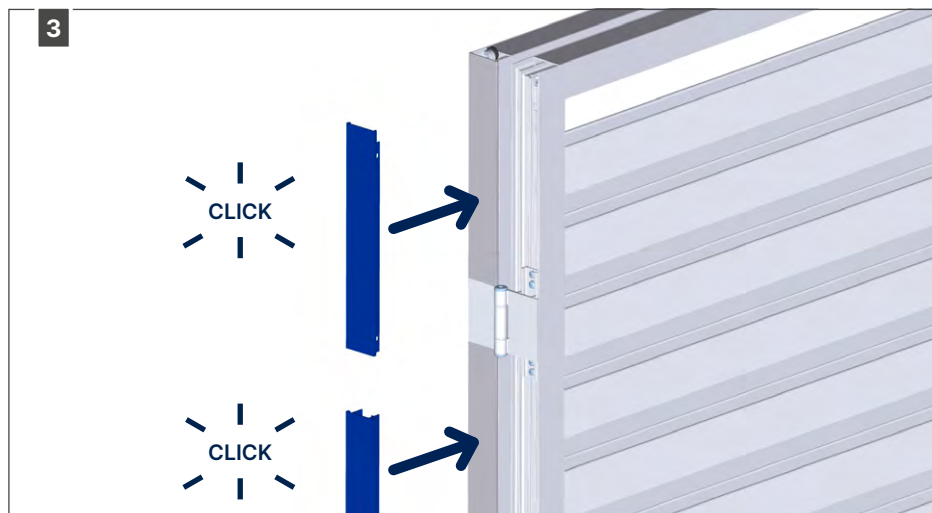
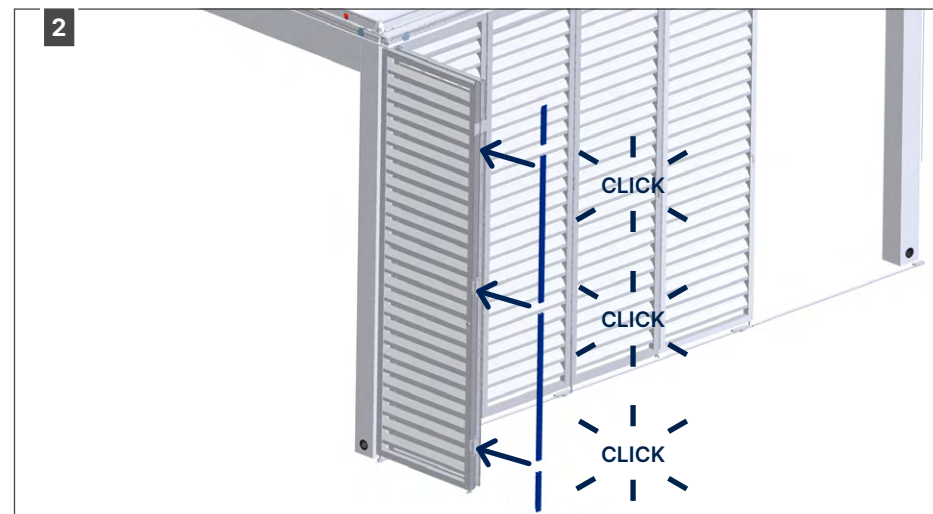
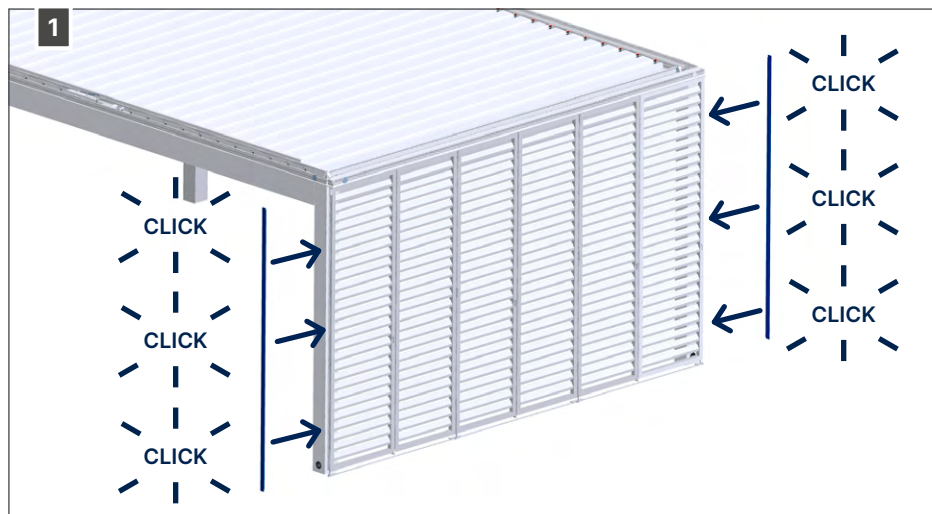


Installing position lock to place folding panels in stacking position



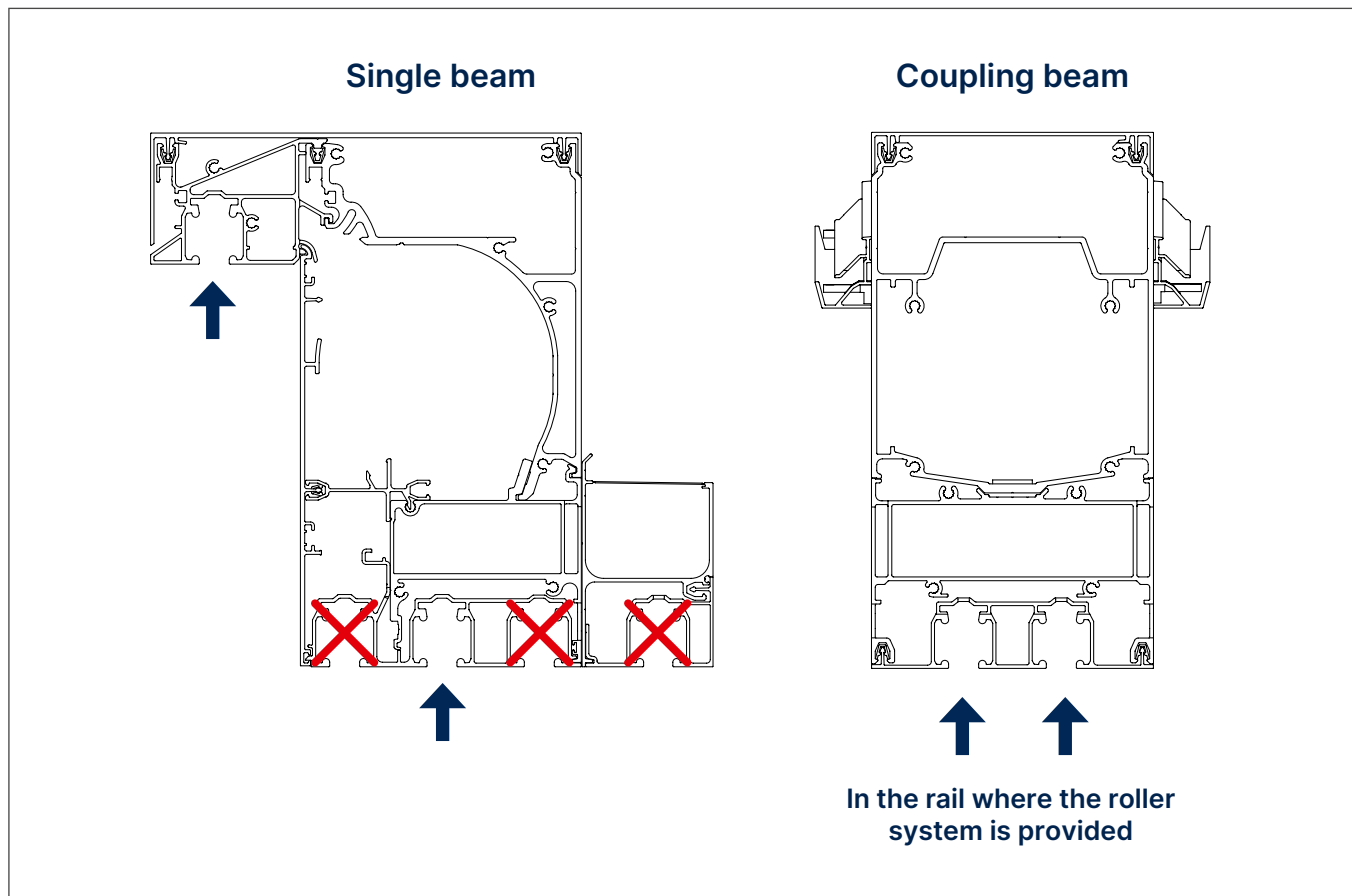


Installing cover plates

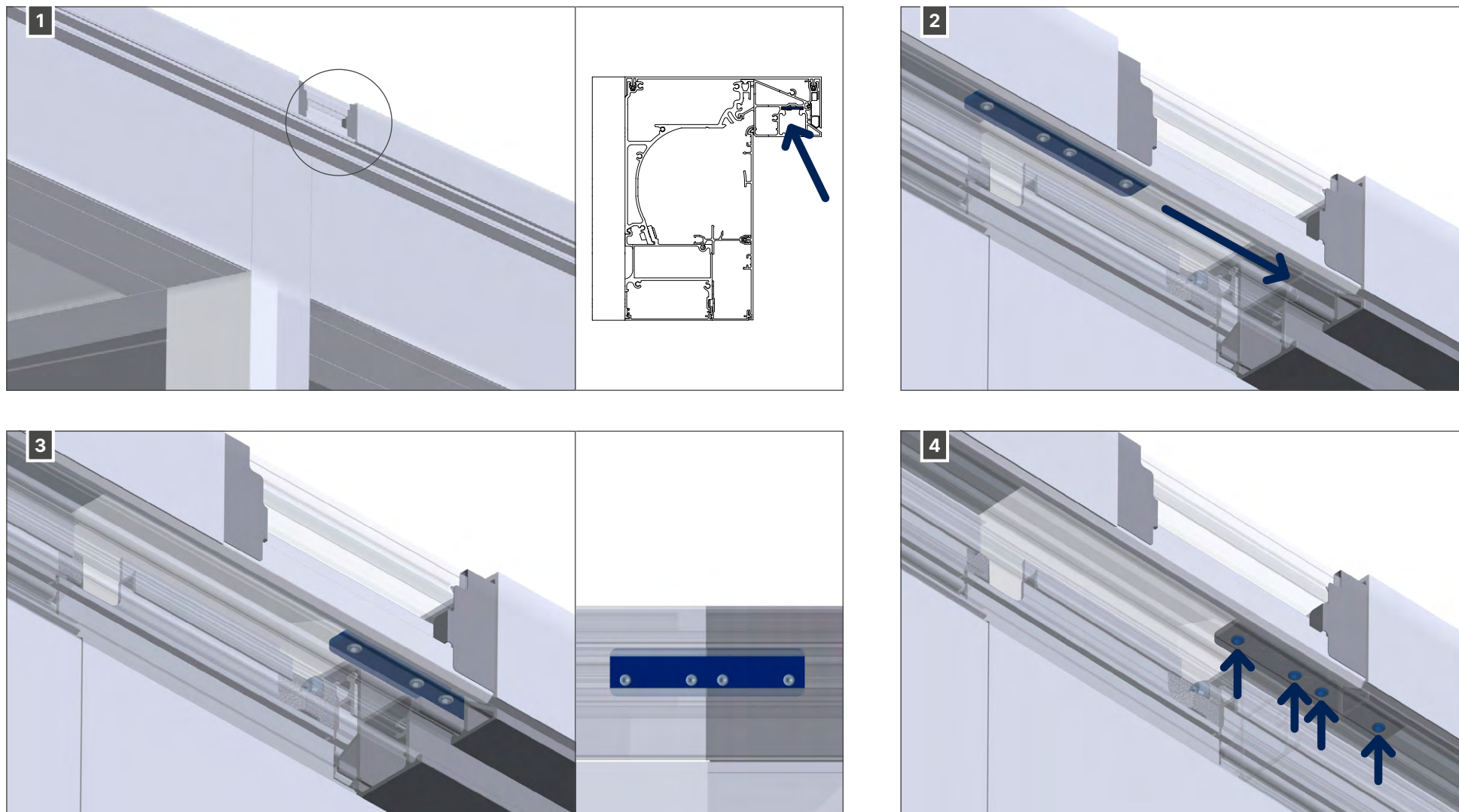


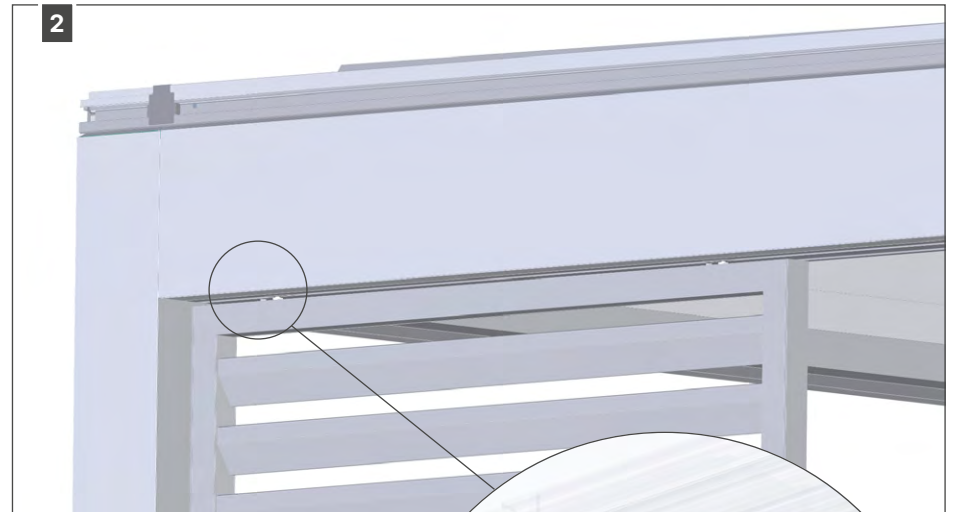
11.3 • Loggia fixed panels

Possible positions

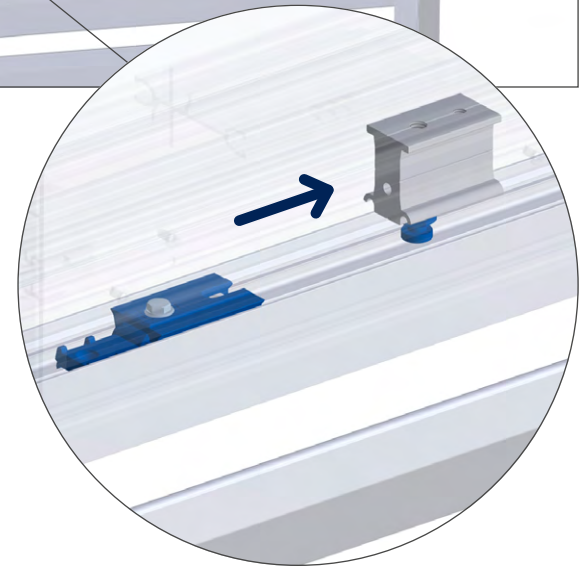
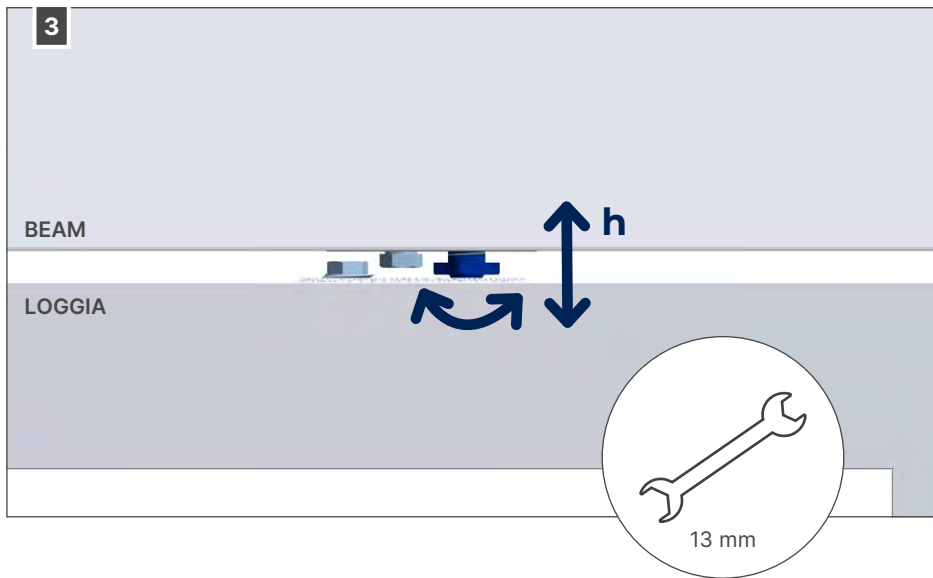


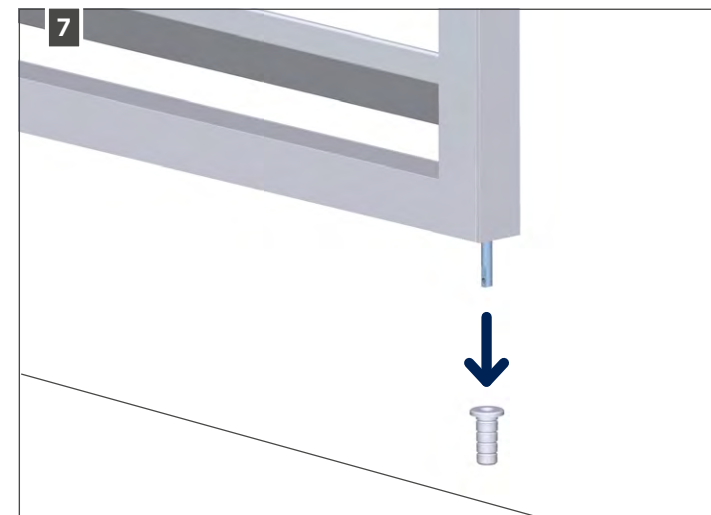
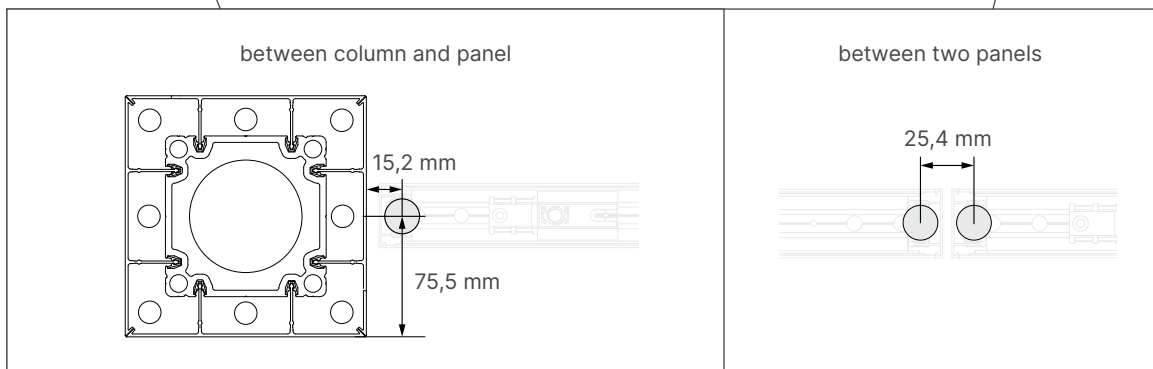
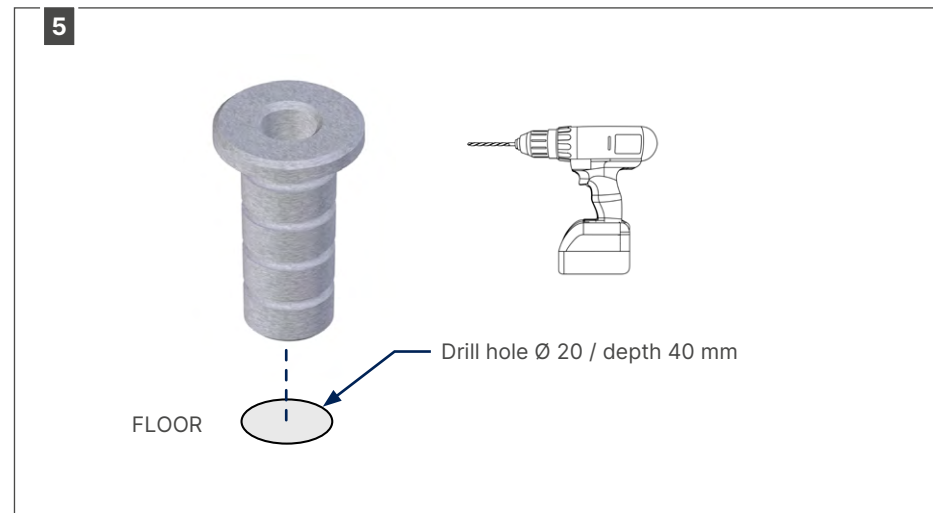
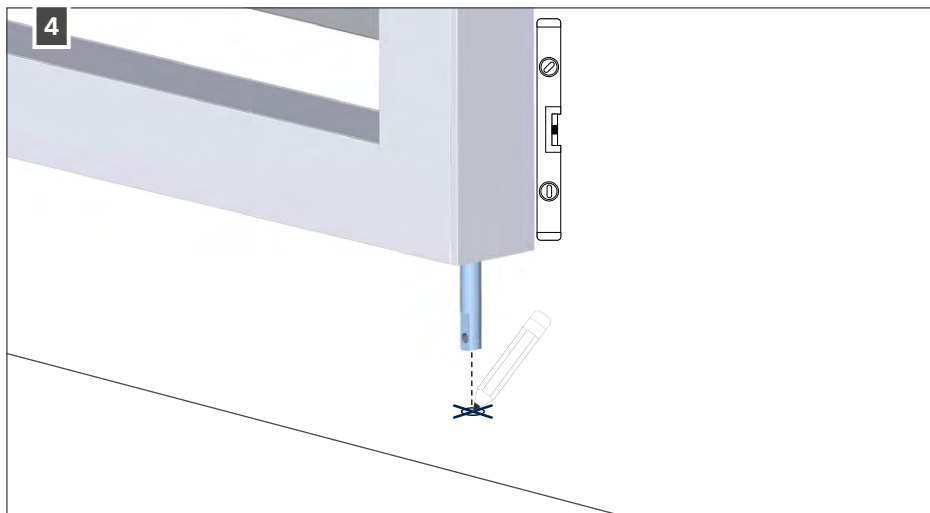
In case the Amani has a coupled roof with a rail in zone A, the following installation step is required:





Adjusting panel height

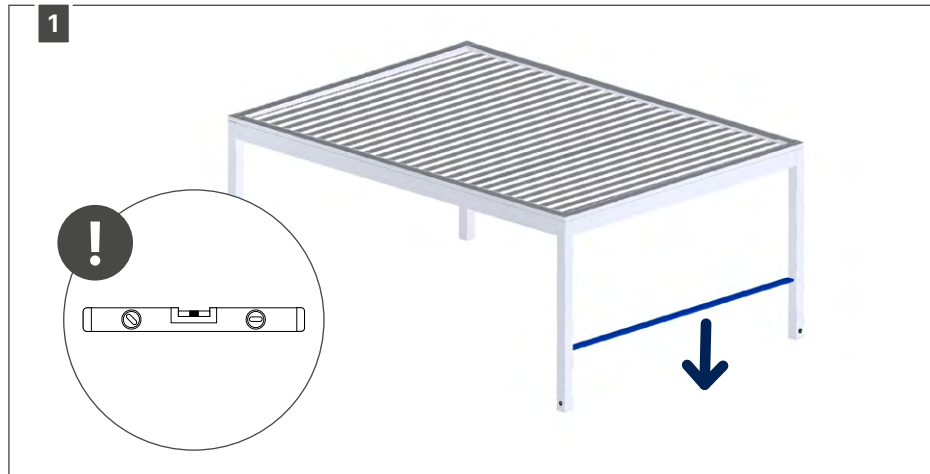




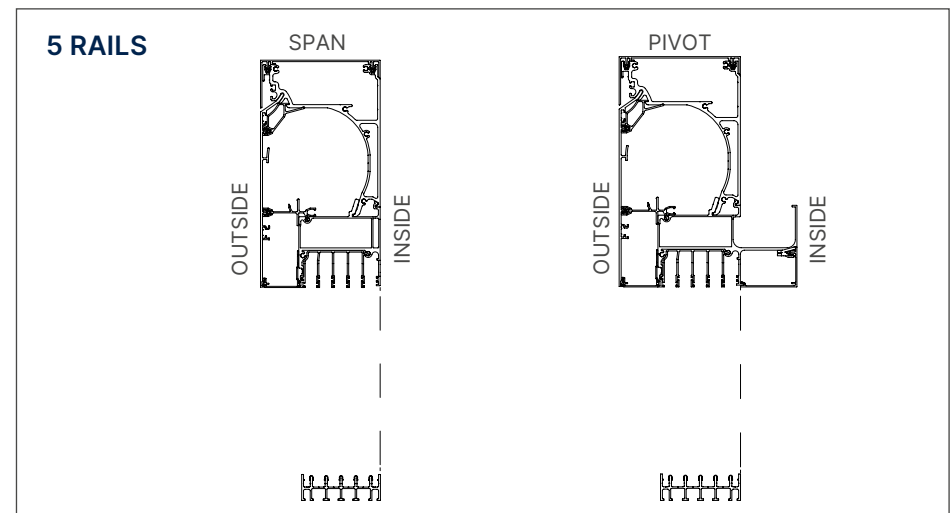
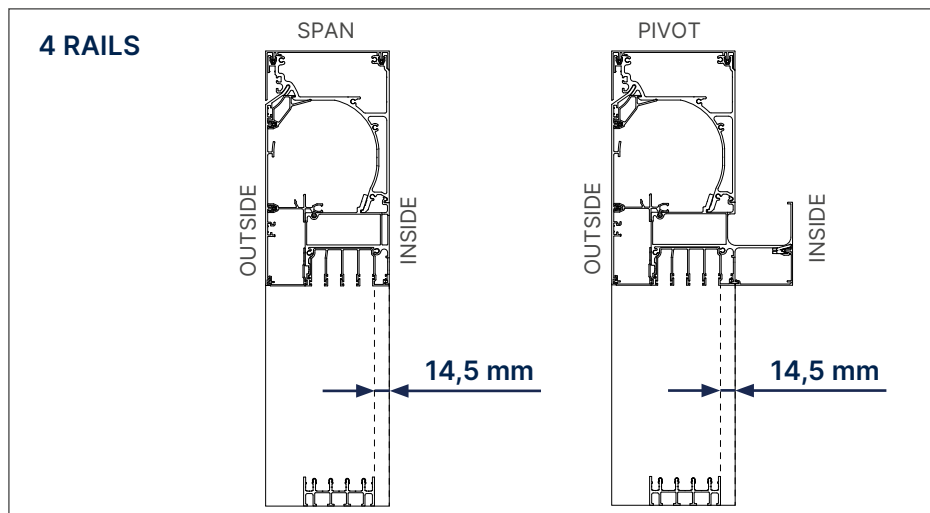
To make it easier to drill the hole, the cover plate can be removed from the column.
Do not forget to replace the cover plate after drilling.

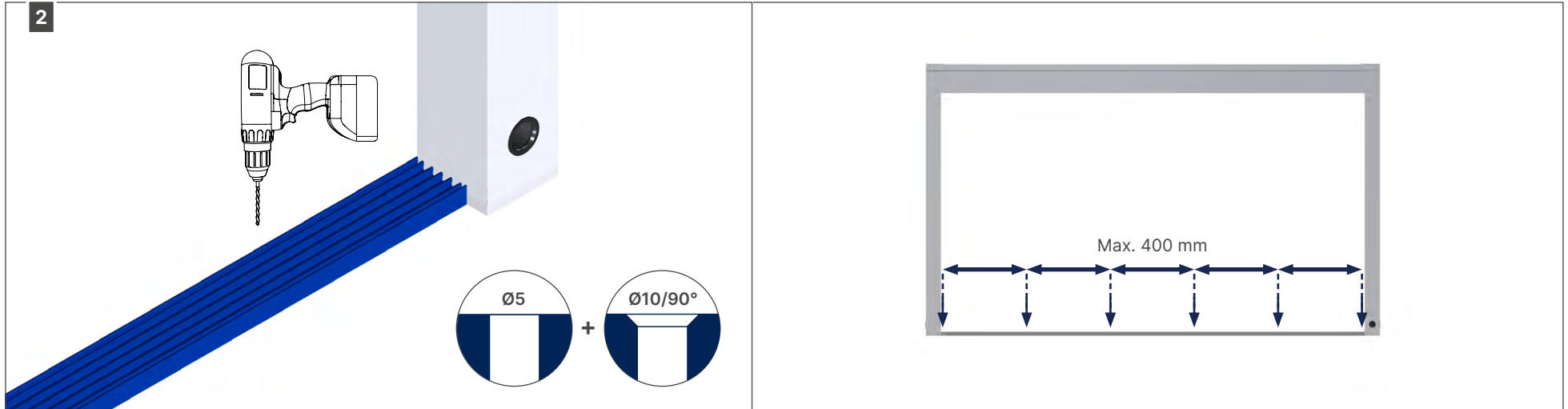
12 • Glass sliding panels

12.1 • Installation of bottom rail



Always install the bottom rail horizontally!

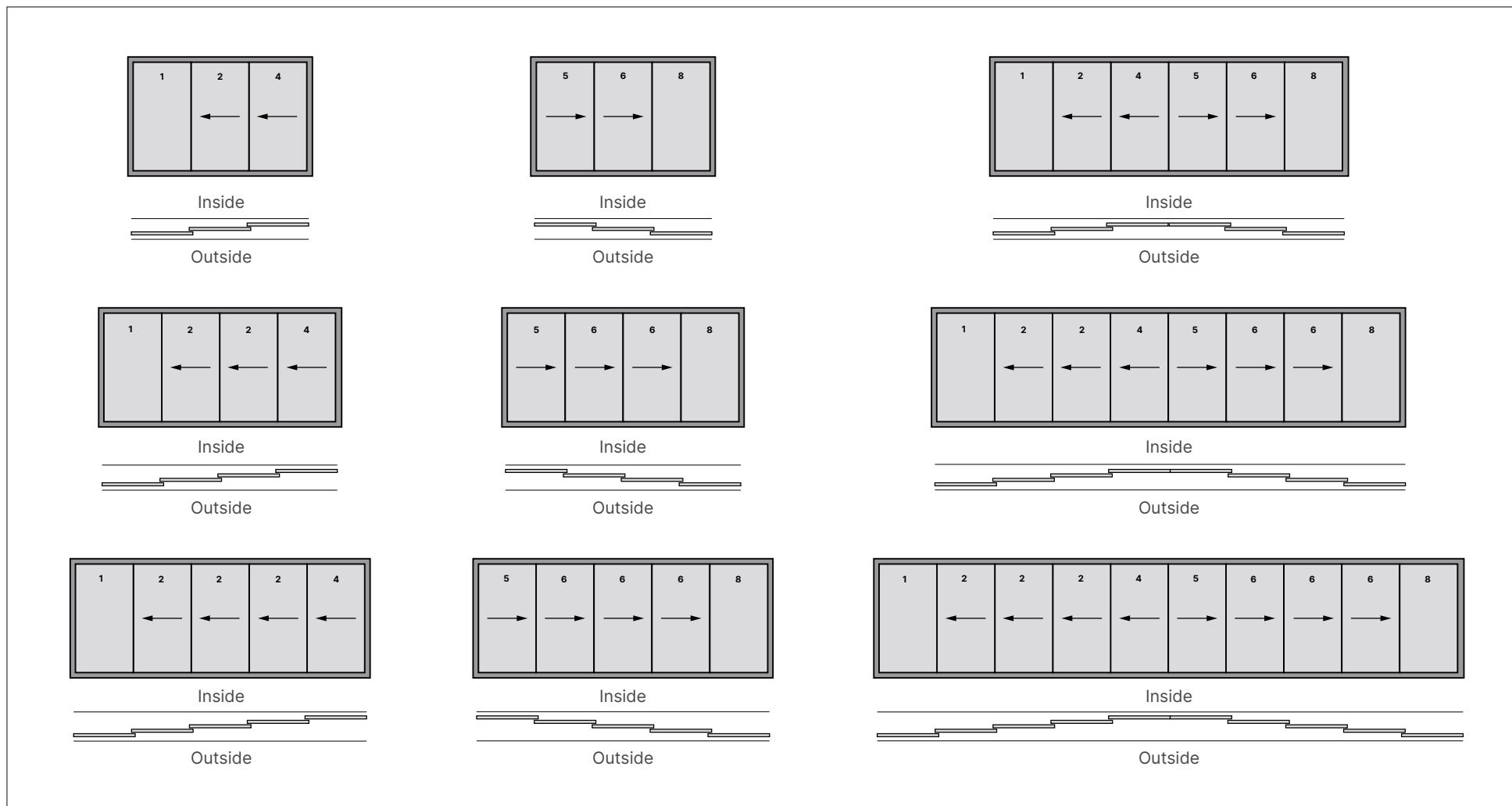




12.2 • Installation of glass panels

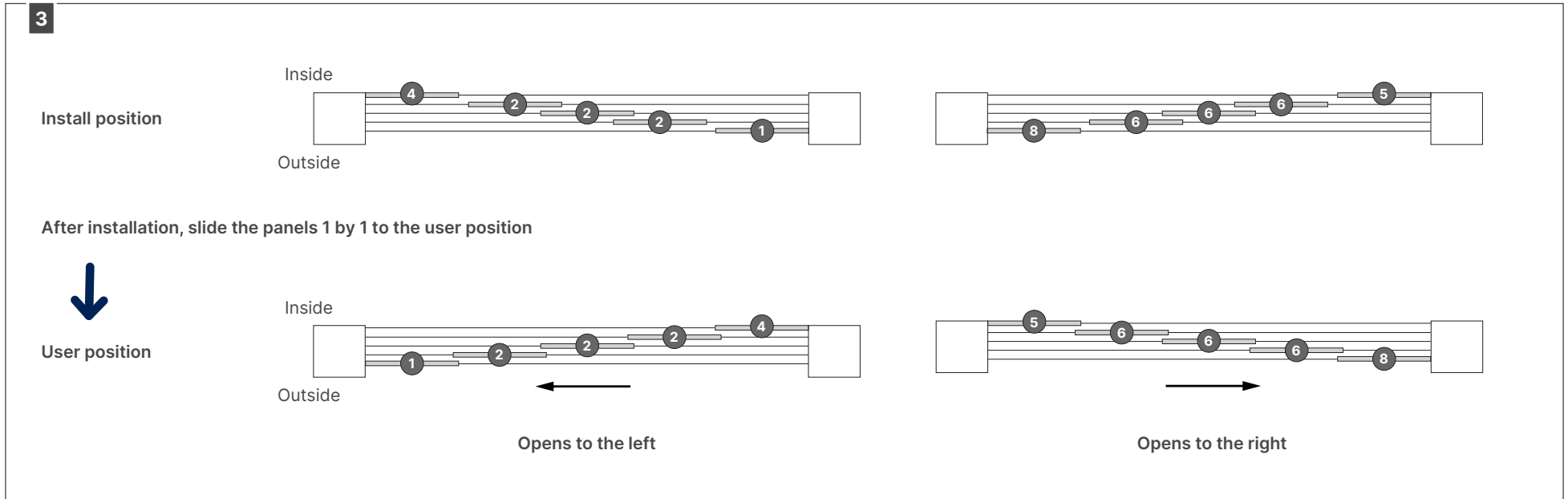
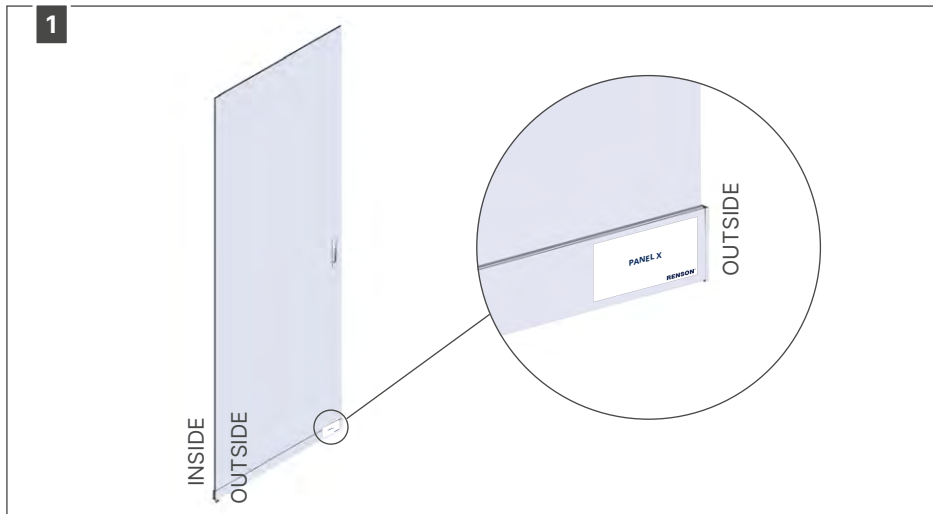
Overview of possible configurations

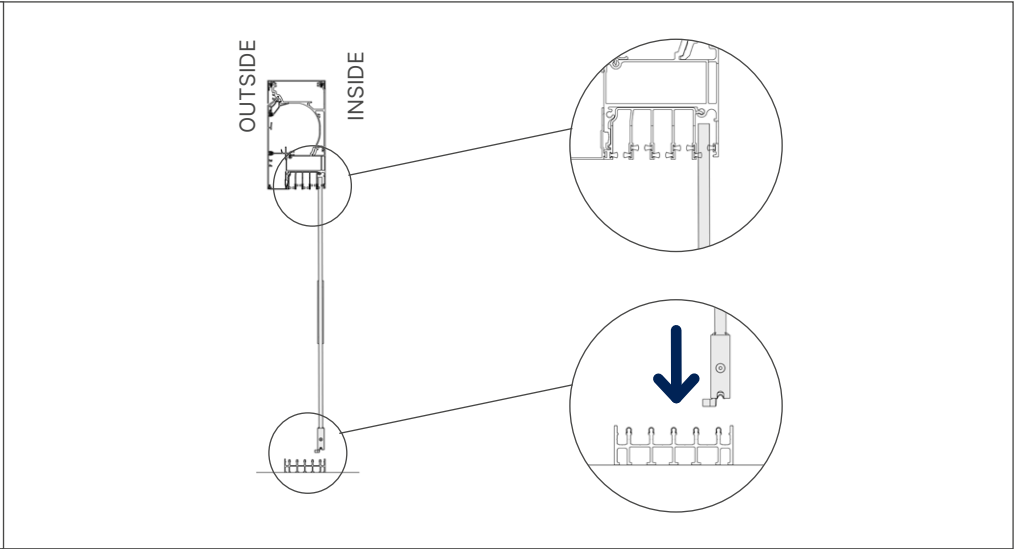
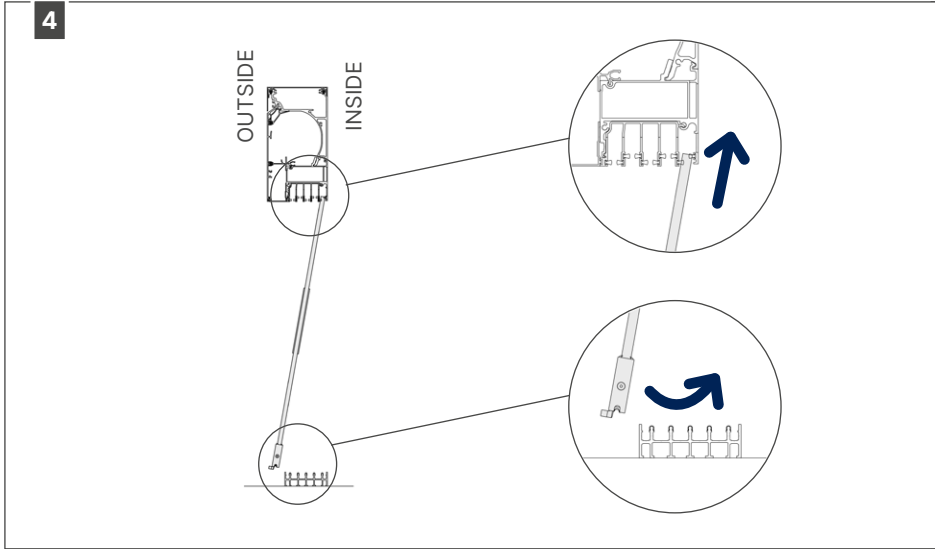
- sliding panel = INSIDE
- fixed panel = OUTSIDE



GLASS SLIDING PANELS

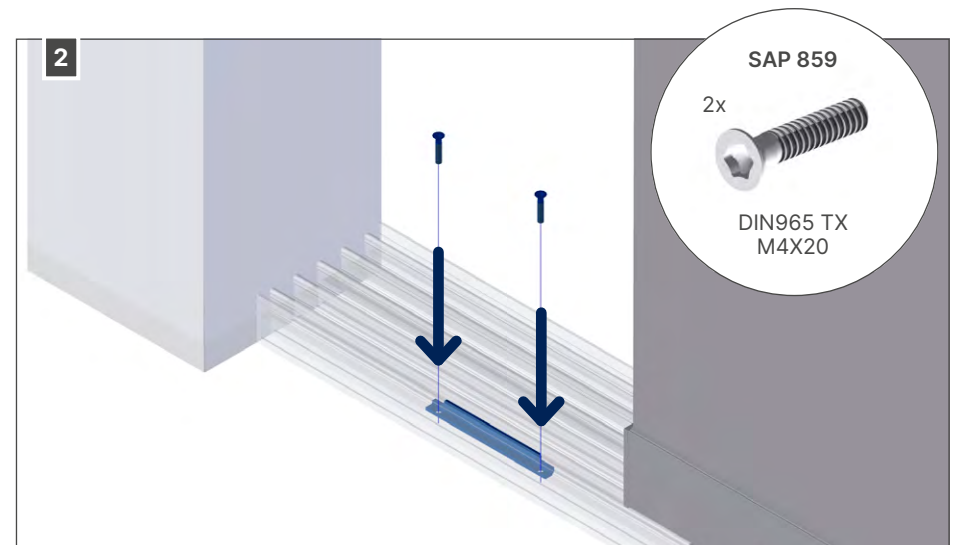
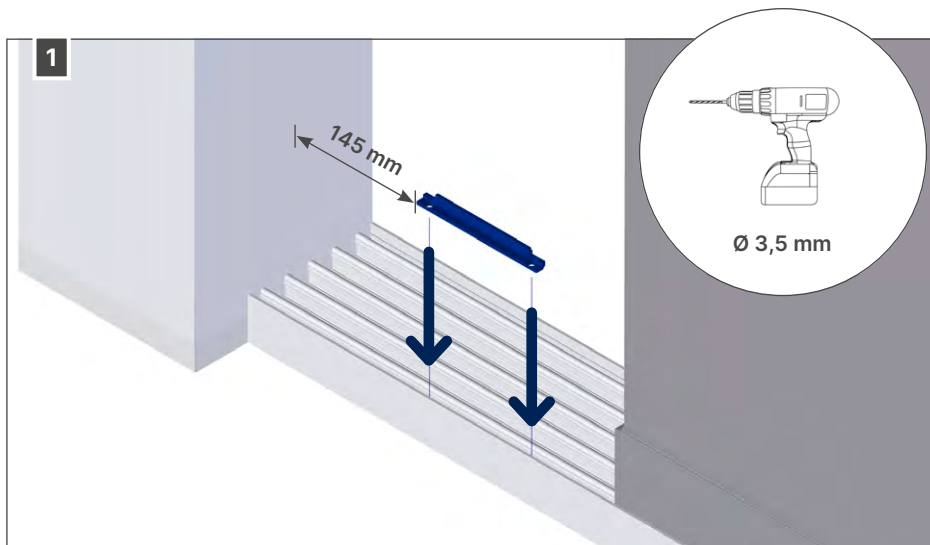
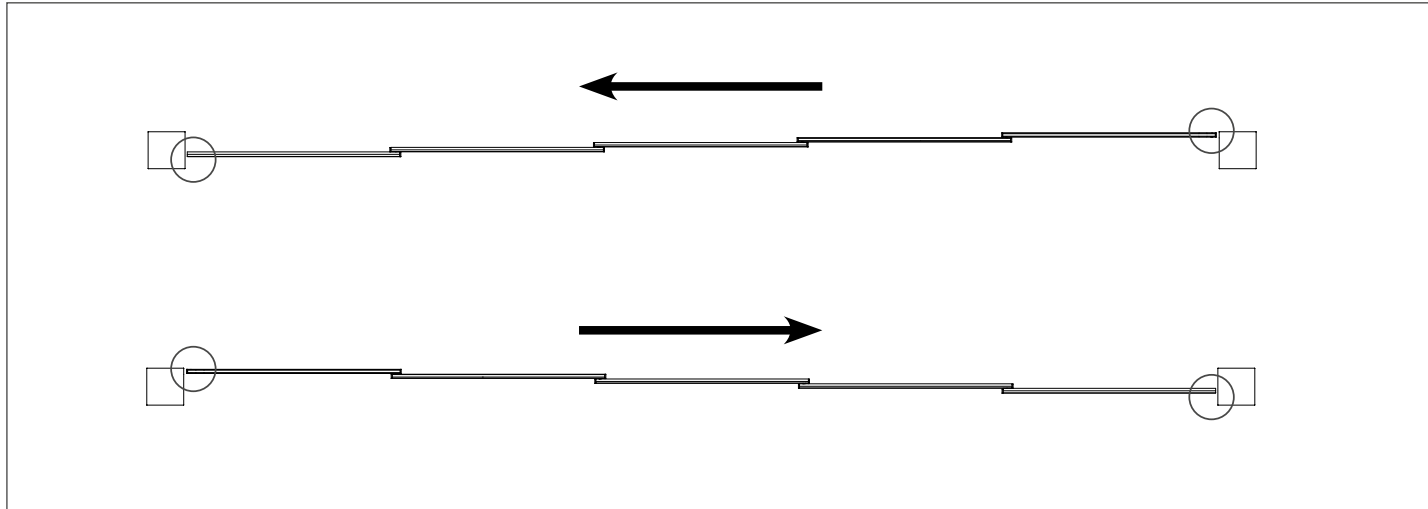
Install the glass panels

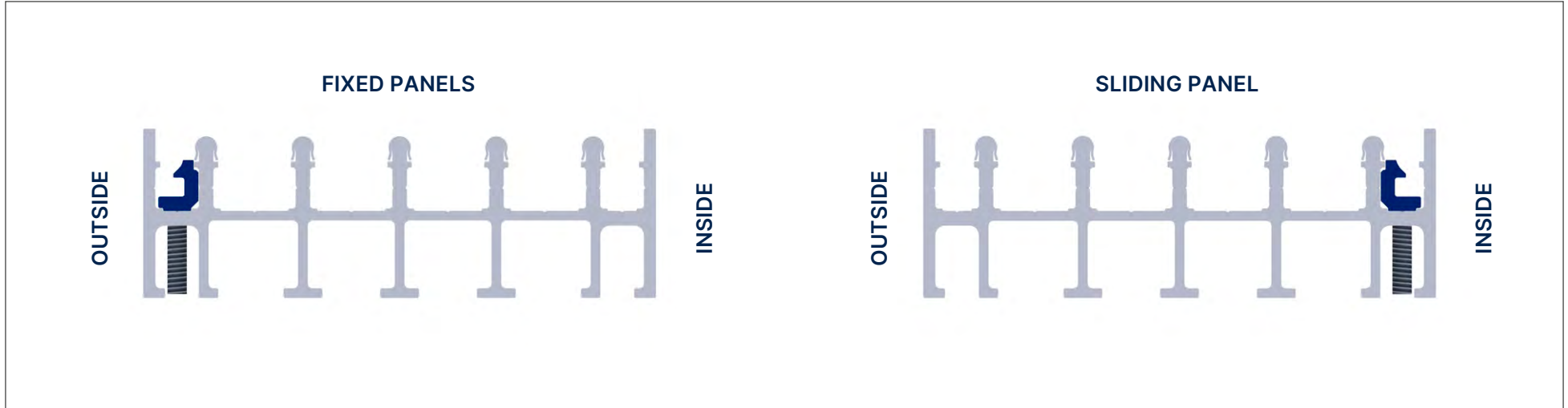




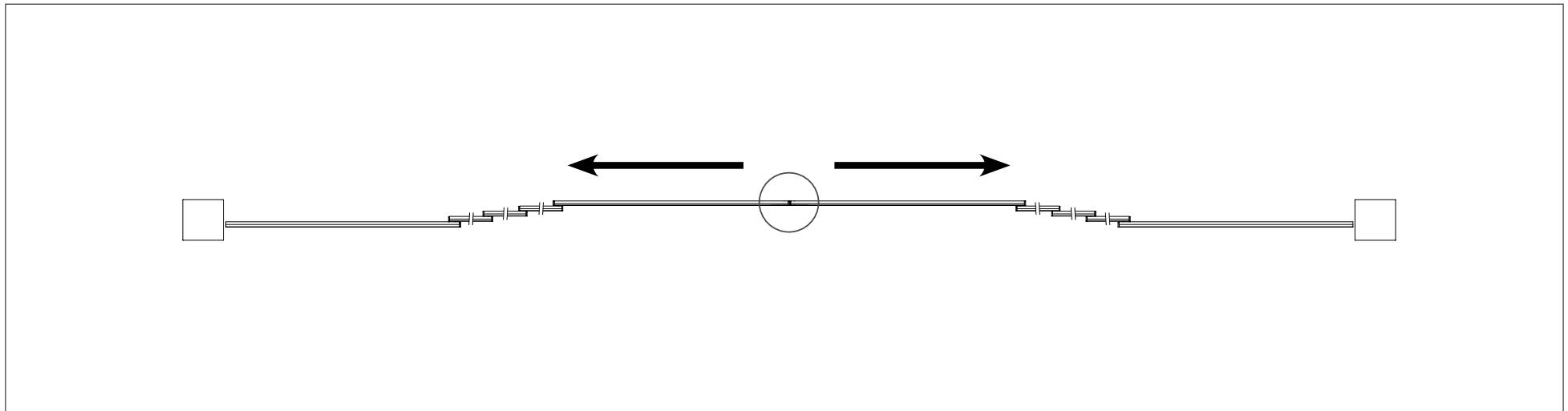
12.3 • Fitting the lift out protection (with optional lock)

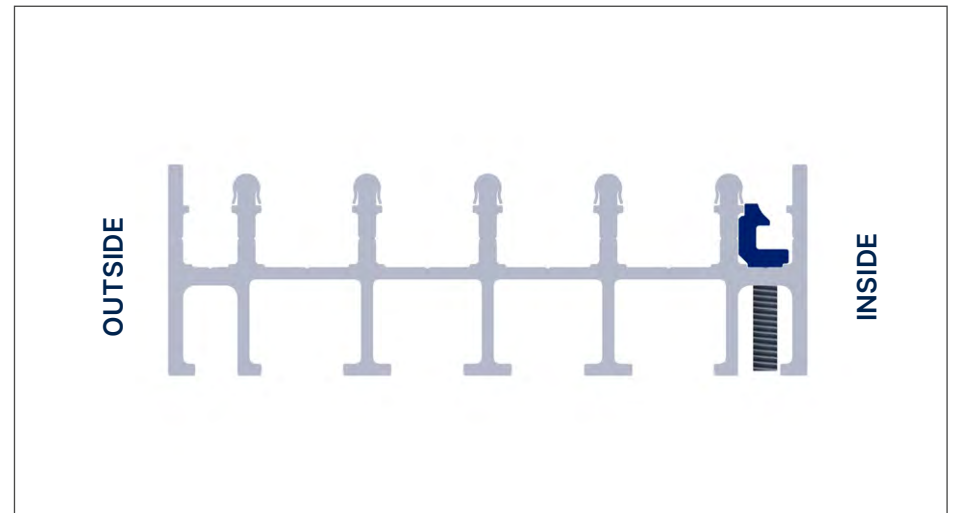
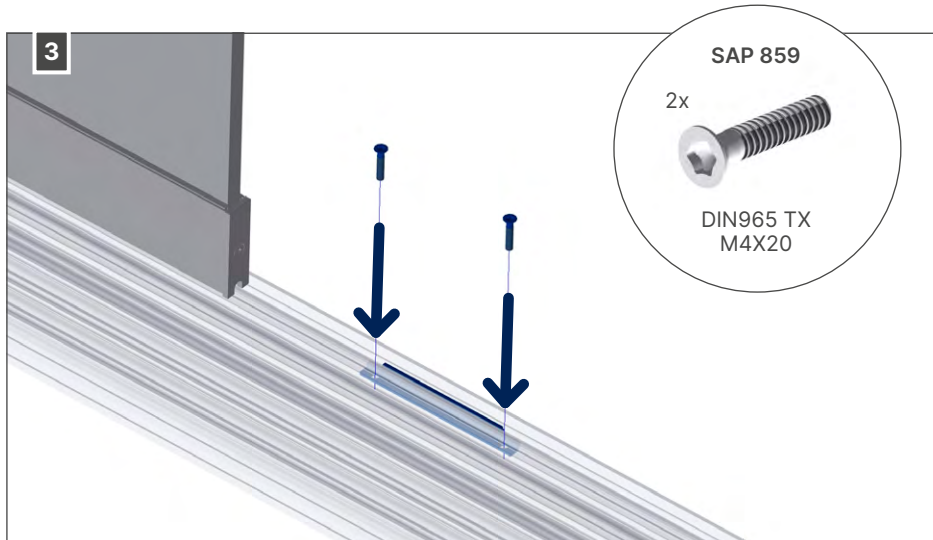
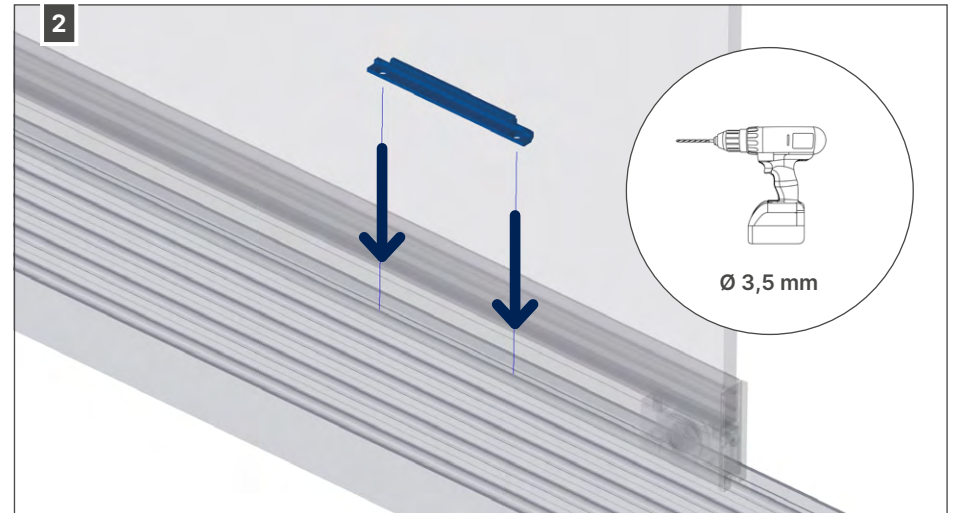
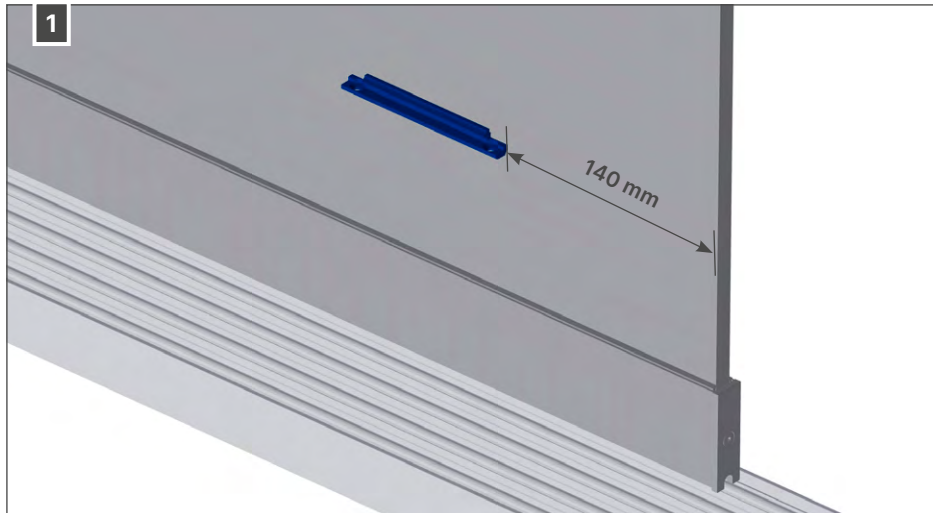
Option 1: outer panels



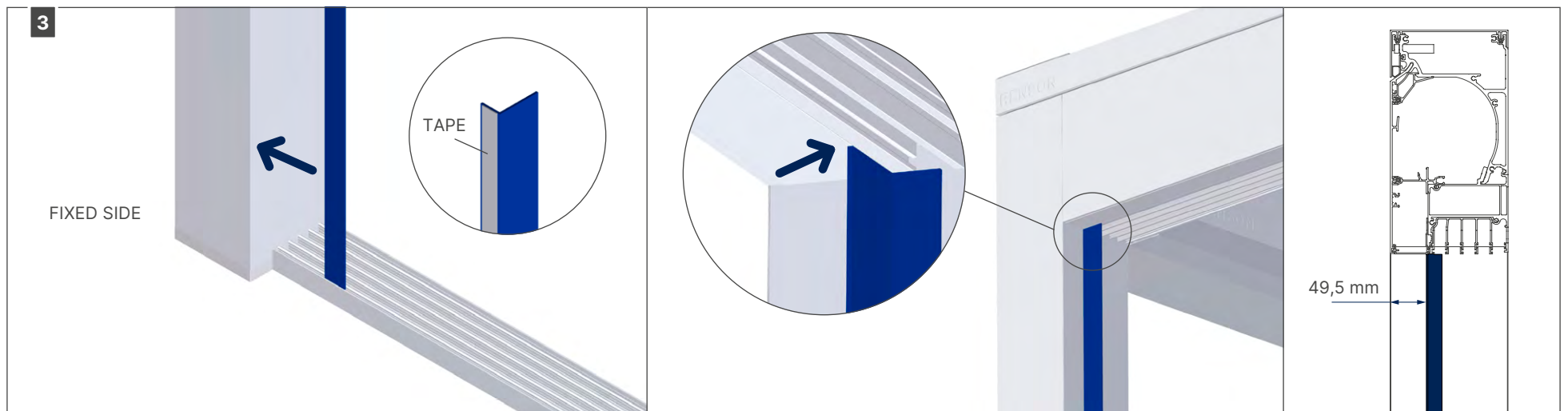
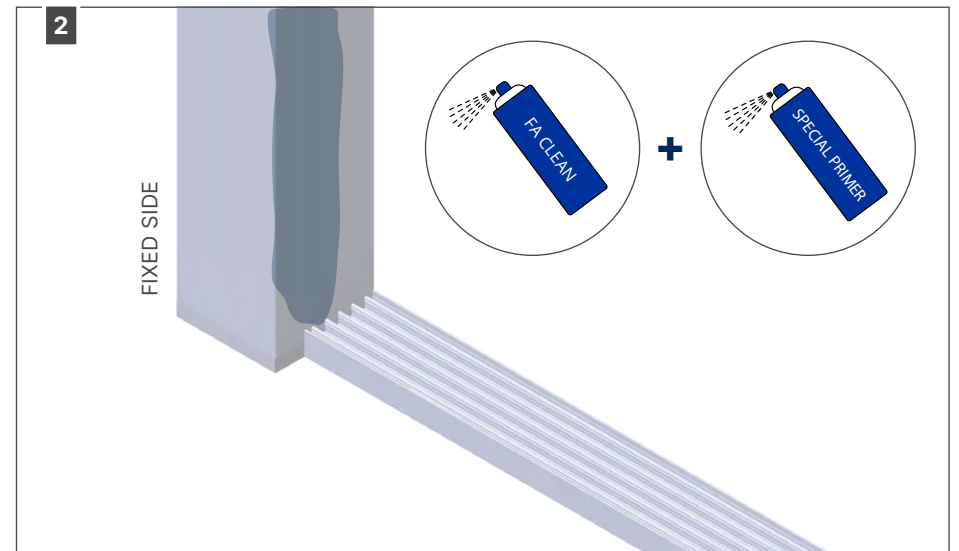
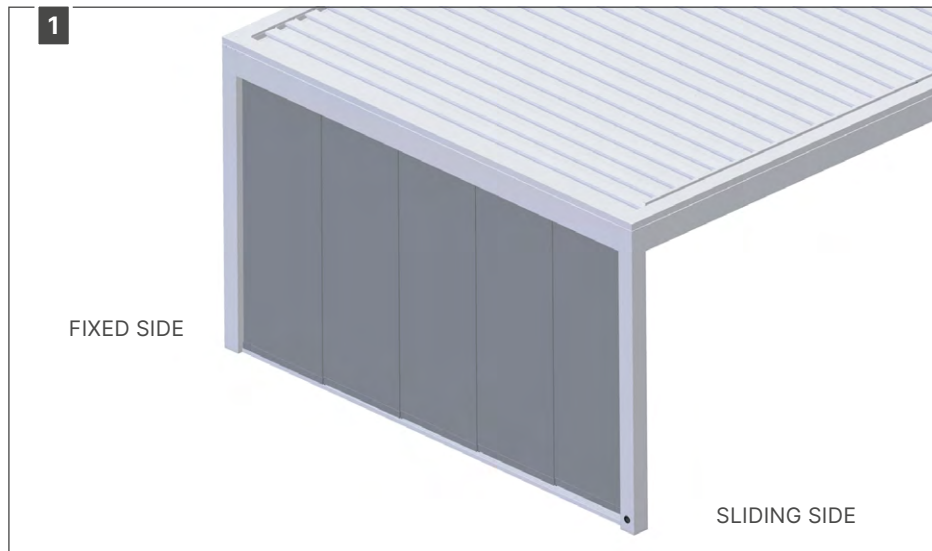


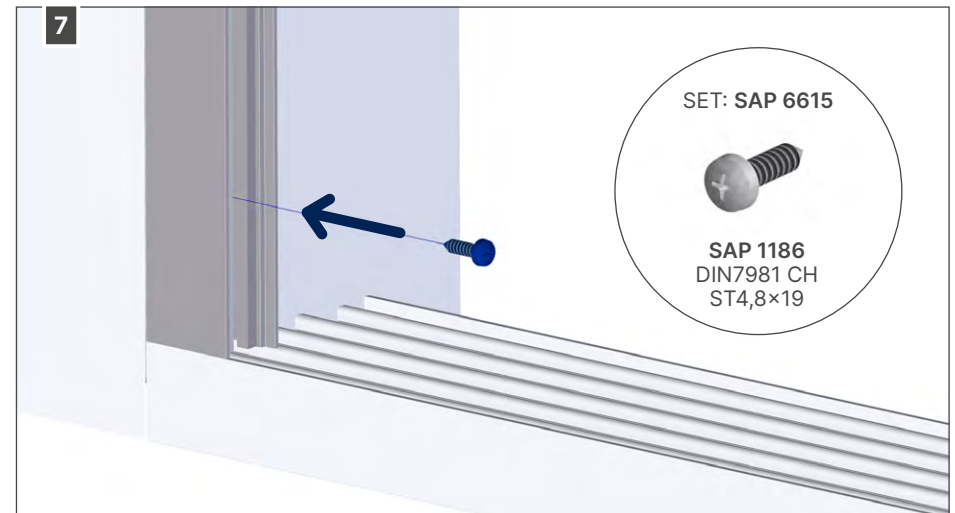
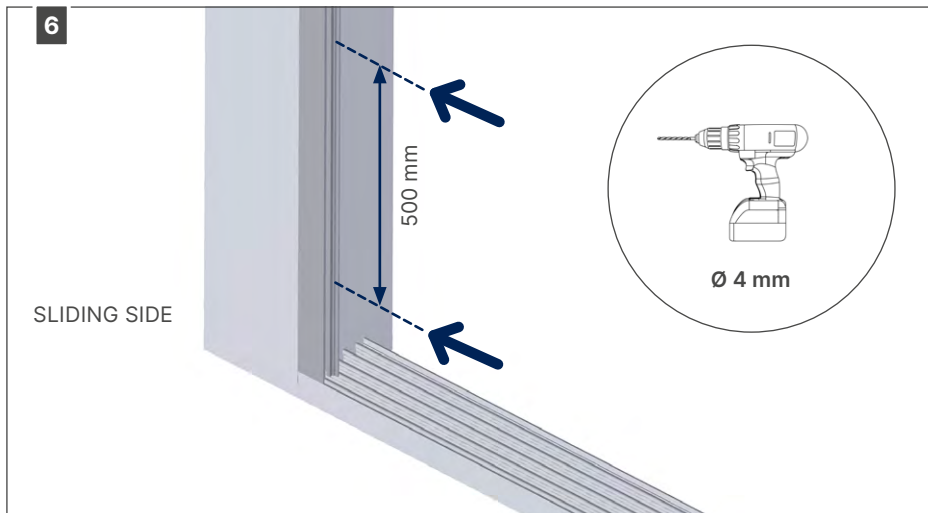
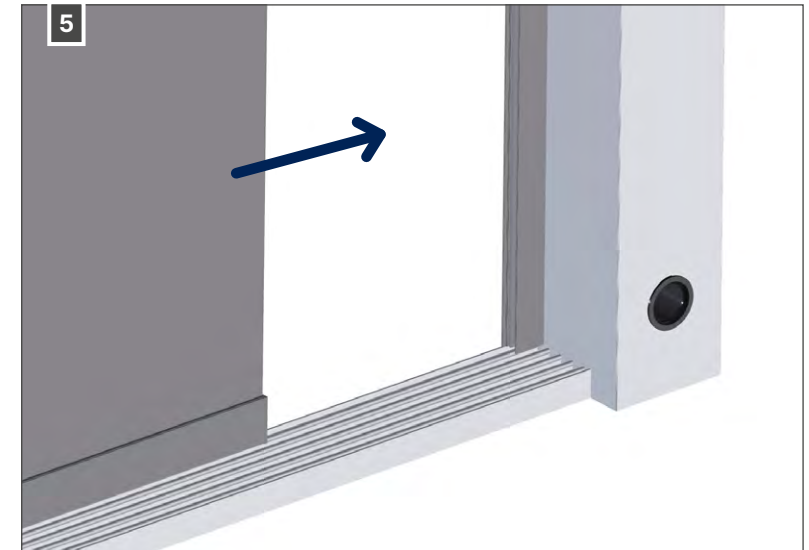
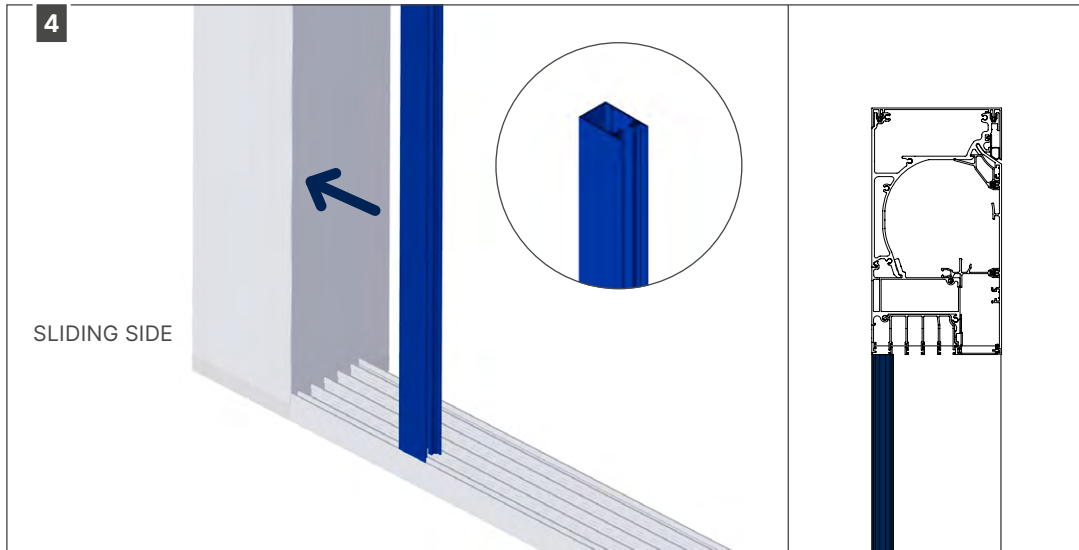
Option 2: panels which slide open from the middle



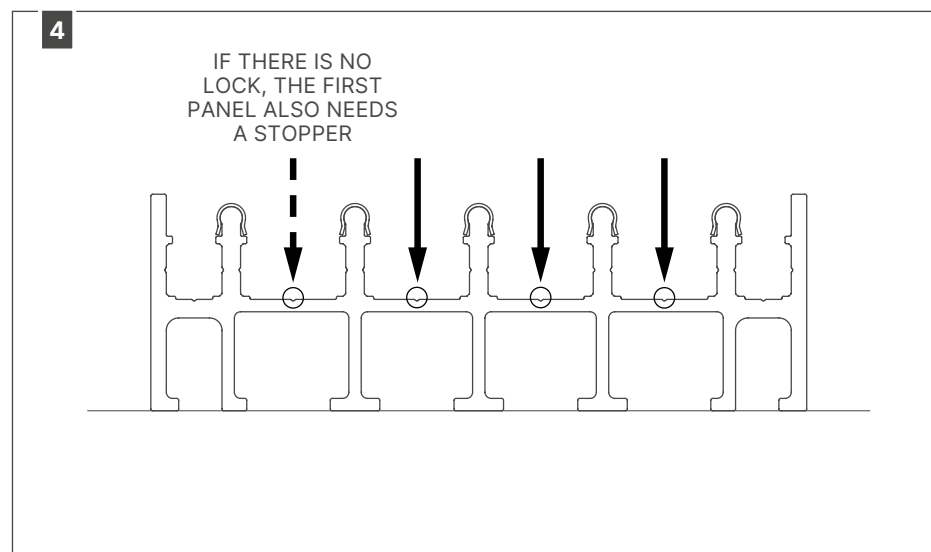
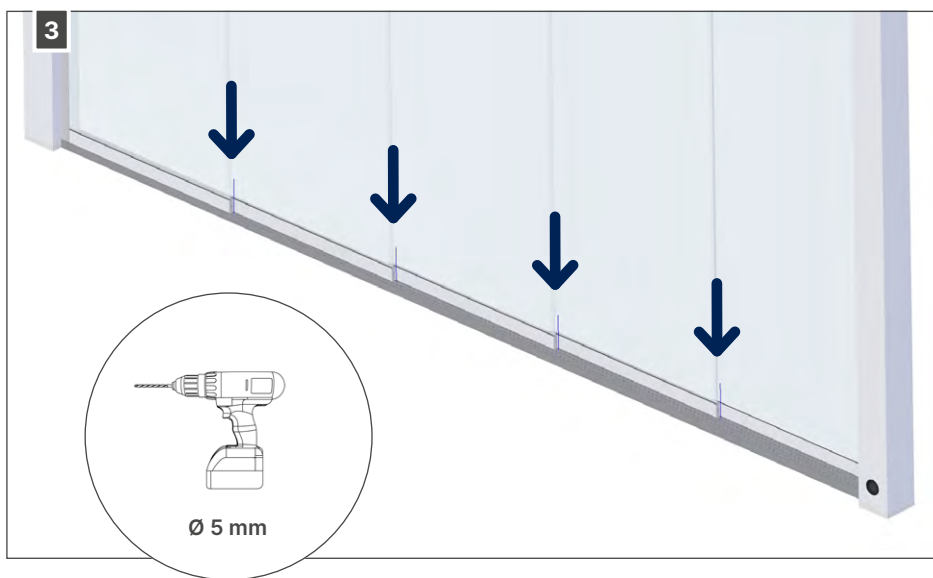
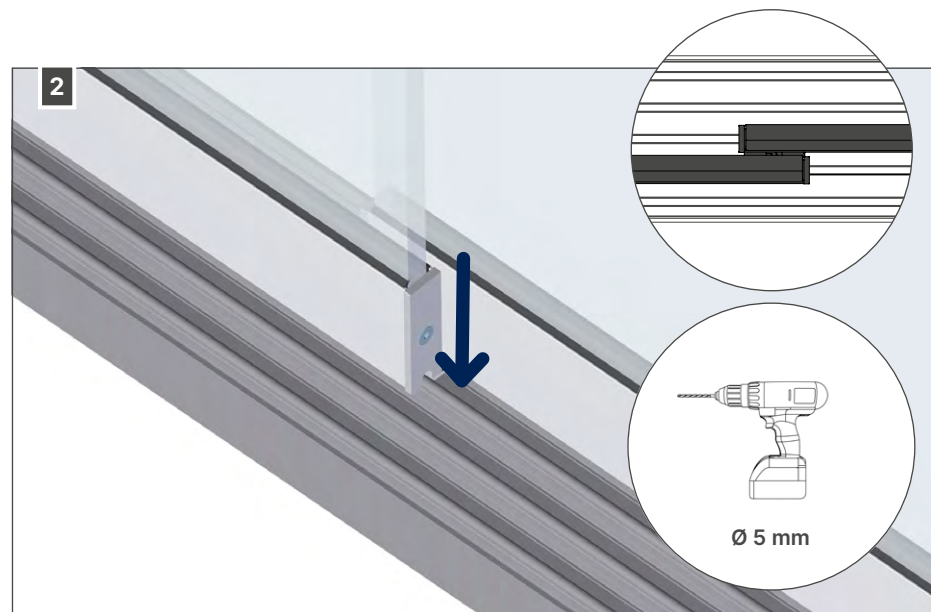
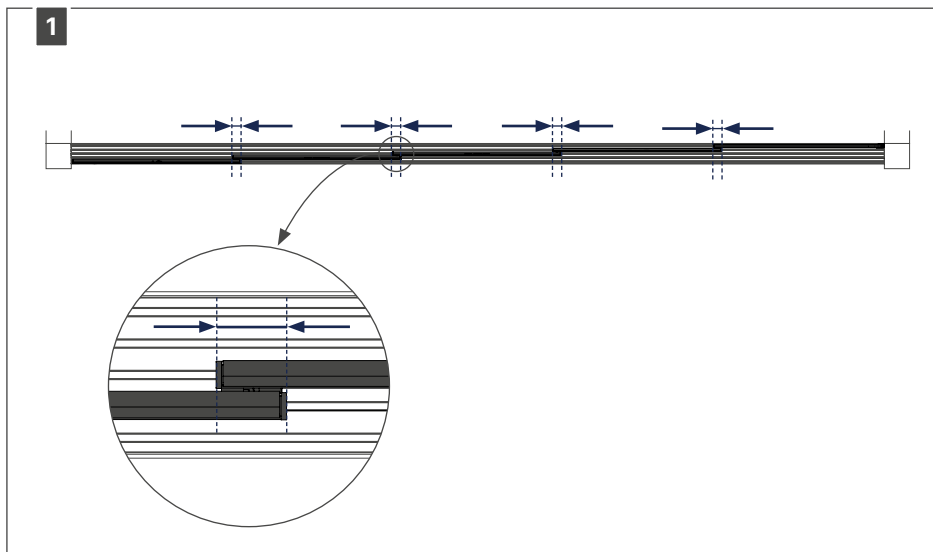


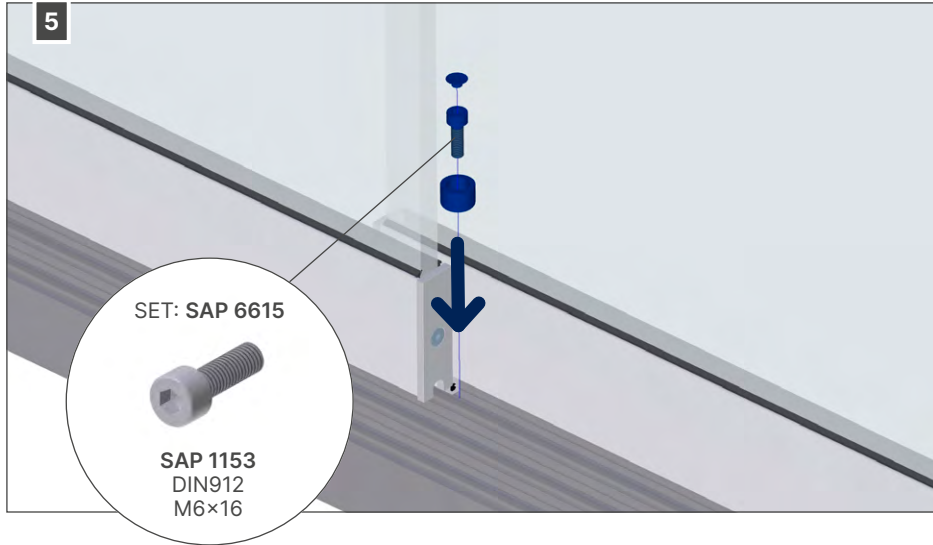
12.4 • Fitting the vertical profiles





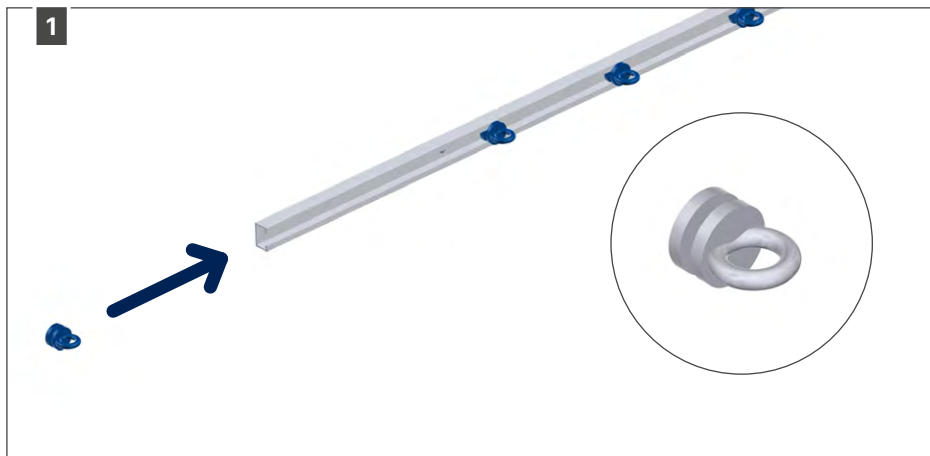
12.5 • Fitting the stoppers



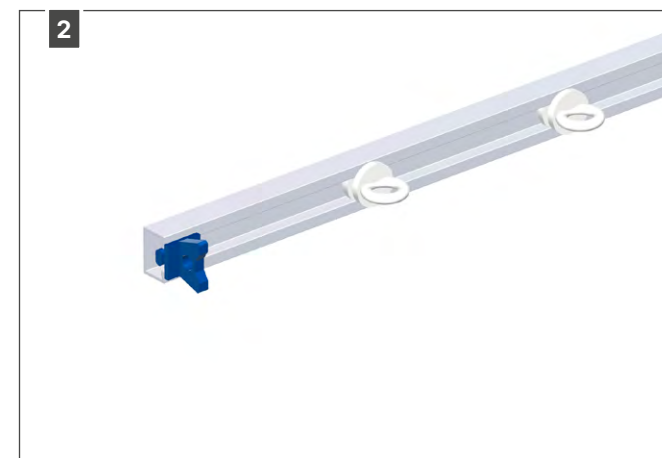
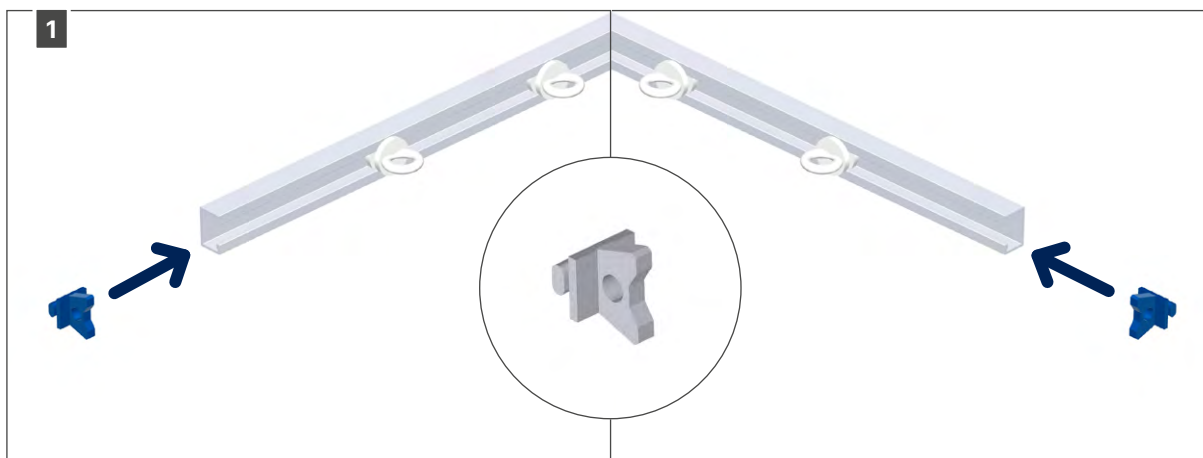


13 • Curtains

13.1 • Fitting the guiding channels in the rail

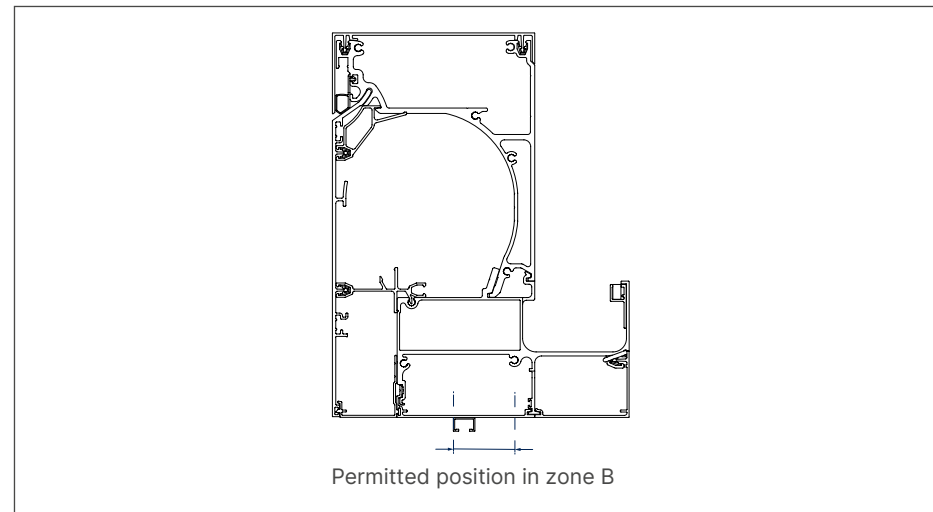
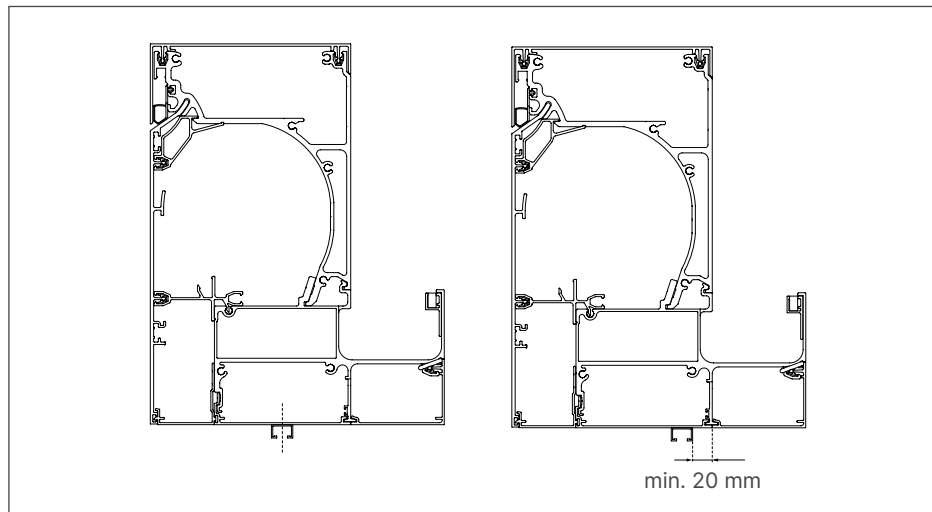


13.2 • Fitting the stoppers at both ends of the rail

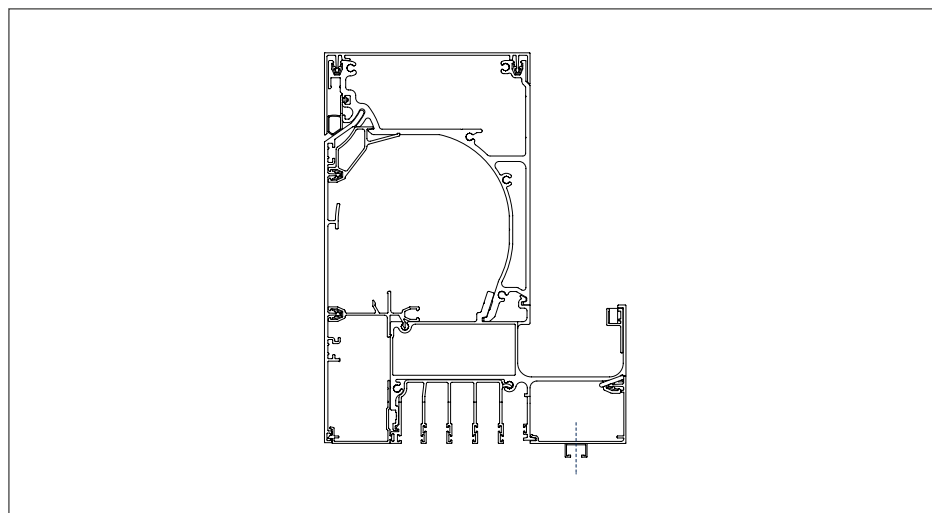


13.3 • Position of the rail on the beam

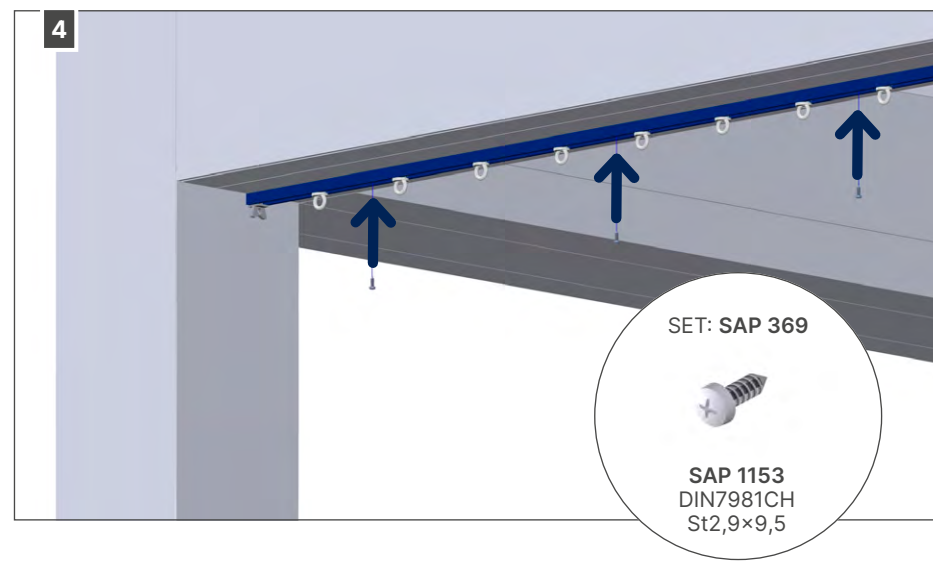
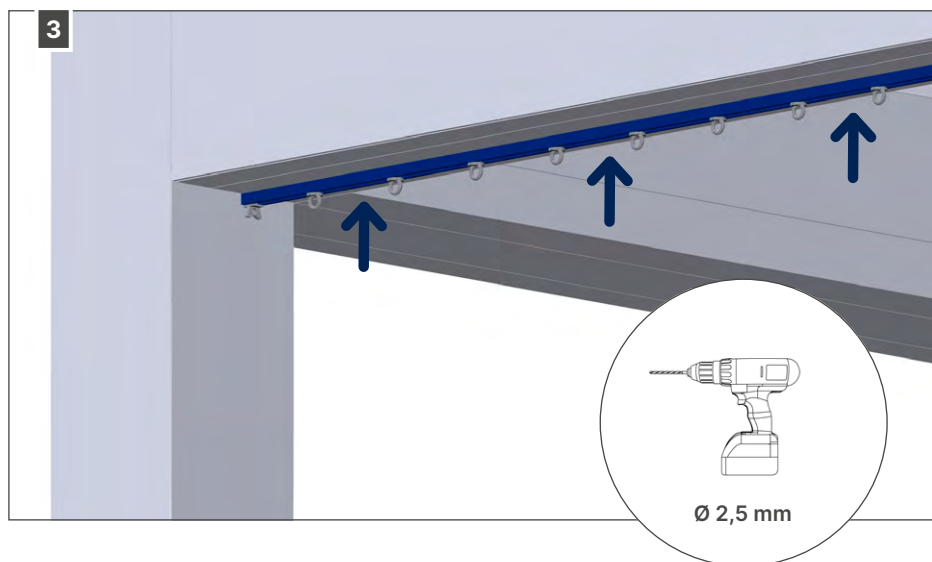
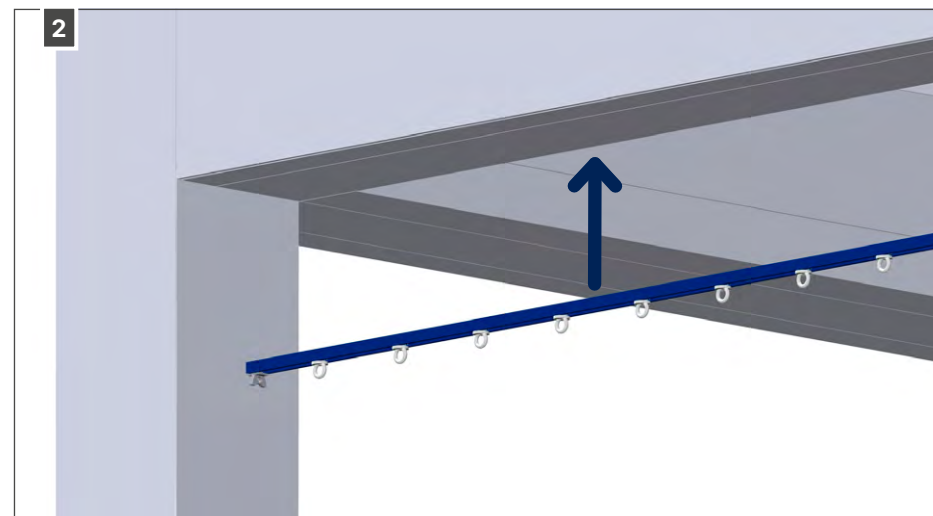
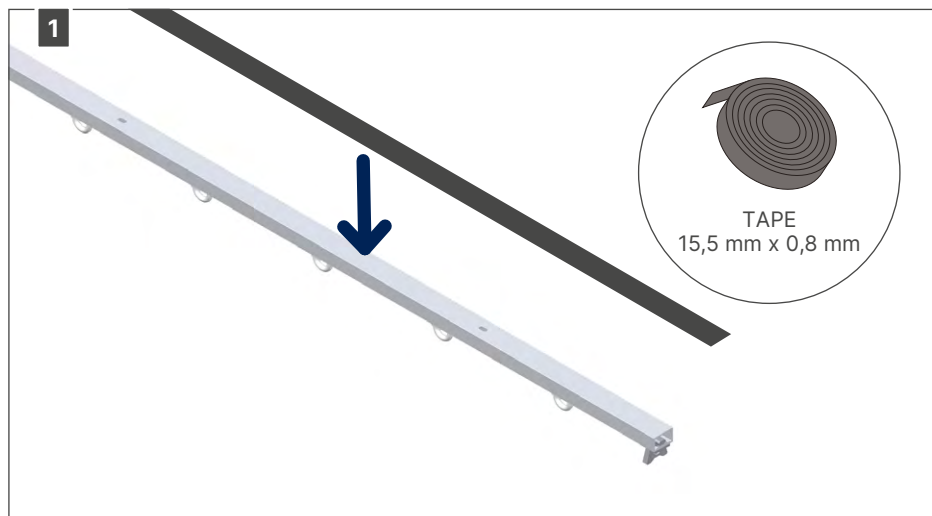
Zone B



Zone C

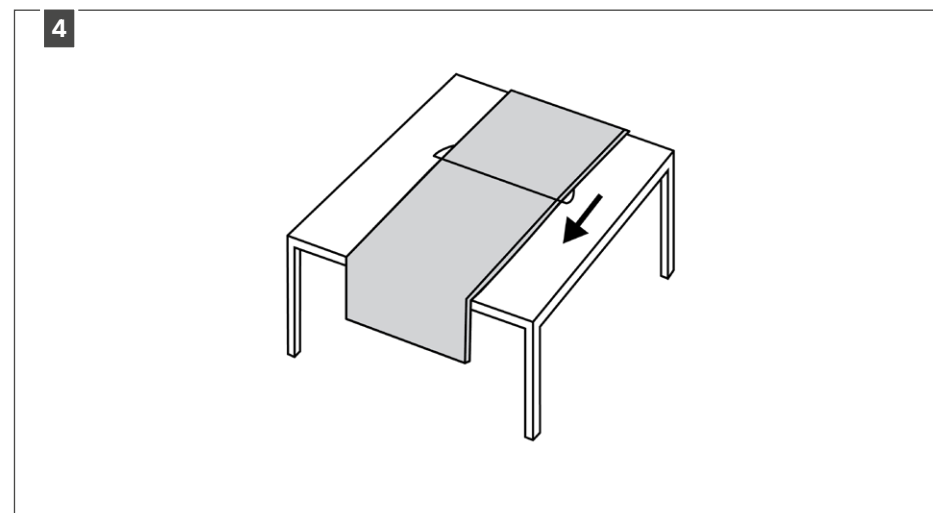
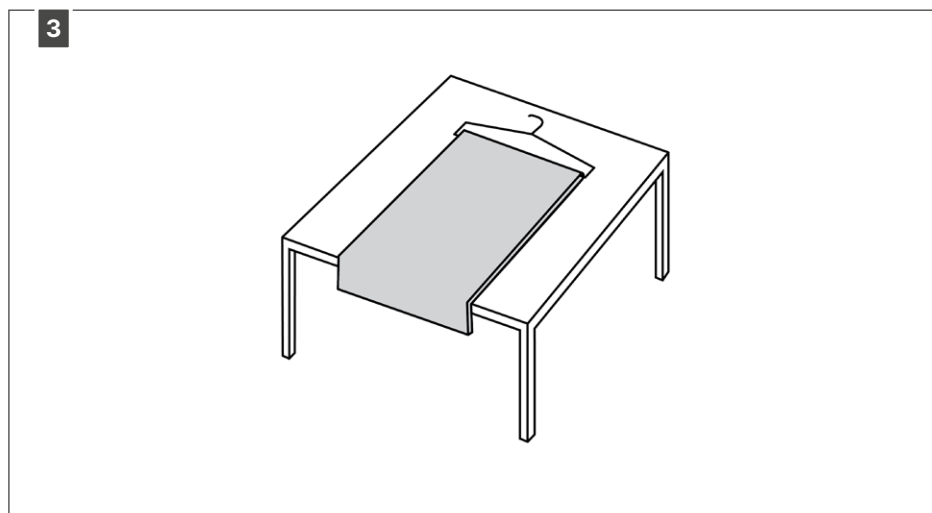
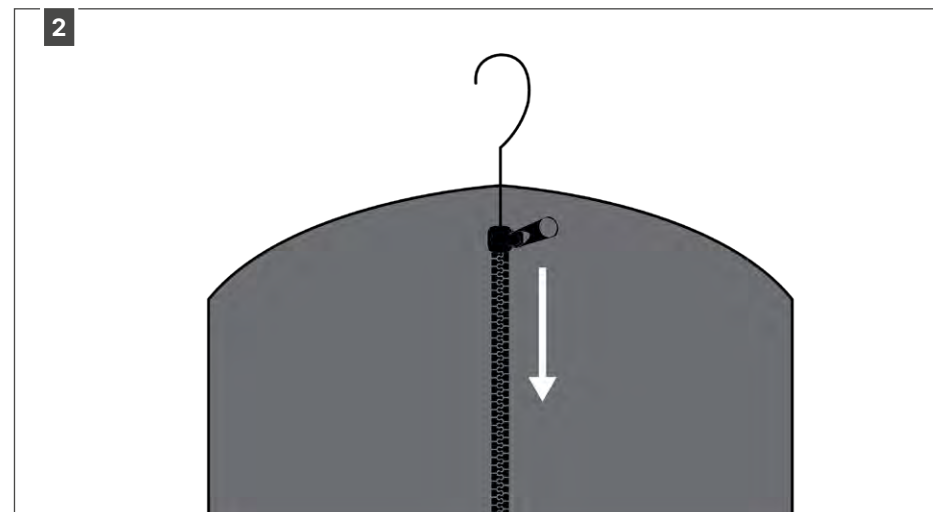
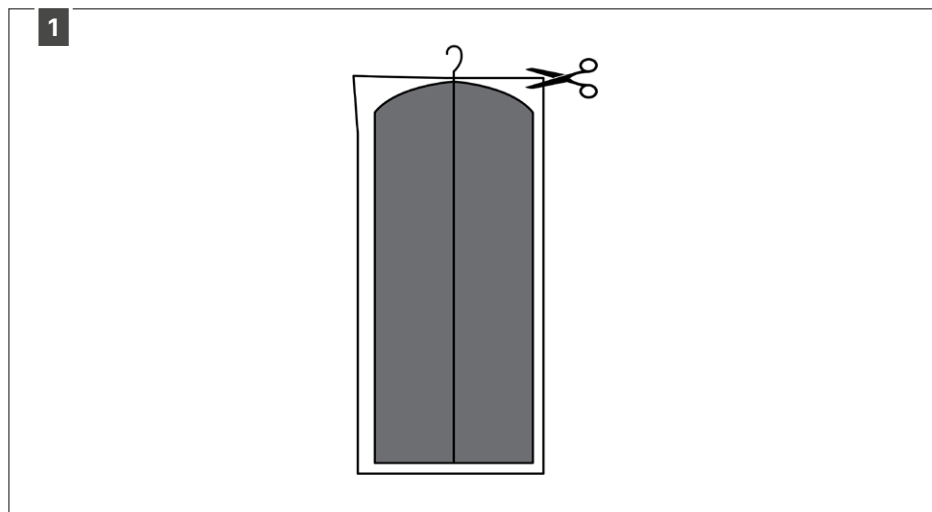


13.4 • Fitting the rail

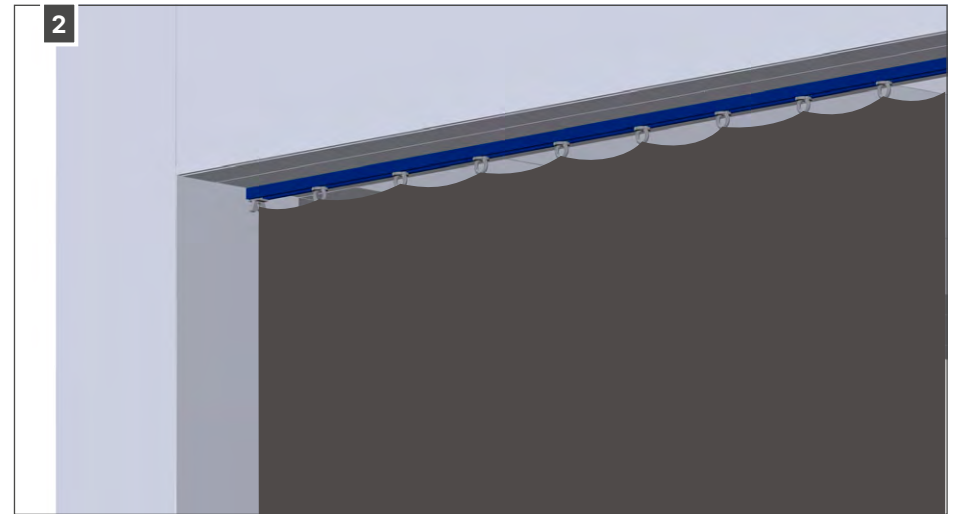
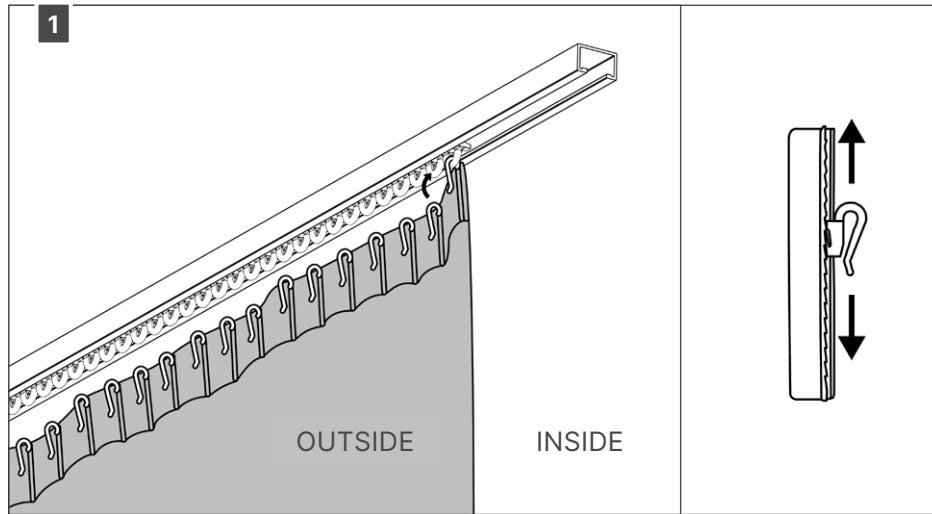


13.5 • Fixing the curtain to the rail

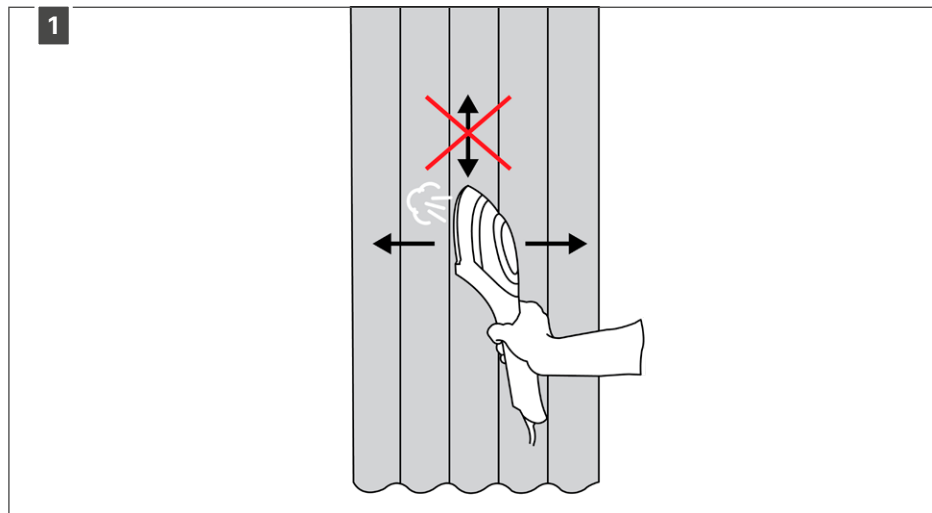
13.5.1 • Preparation



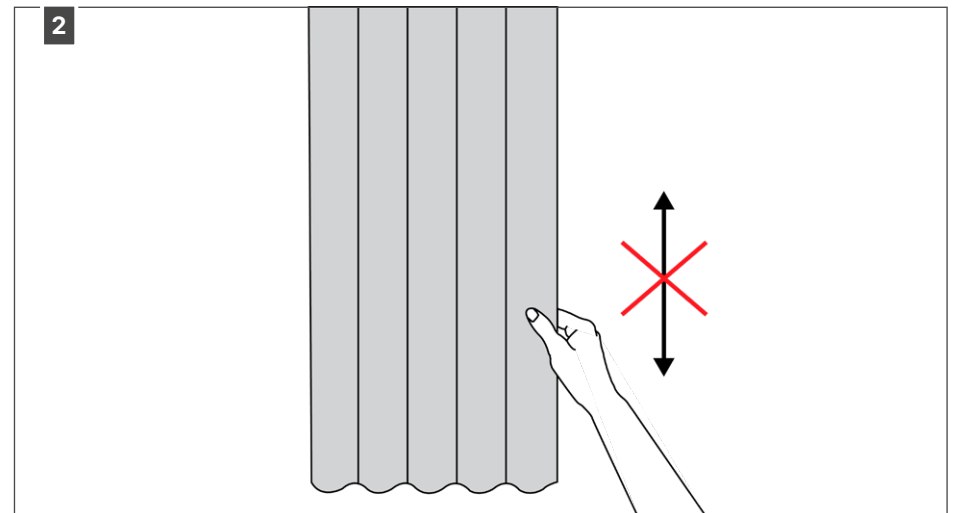
13.5.2 • Fixing the curtain



13.5.3 • Maintenance instructions



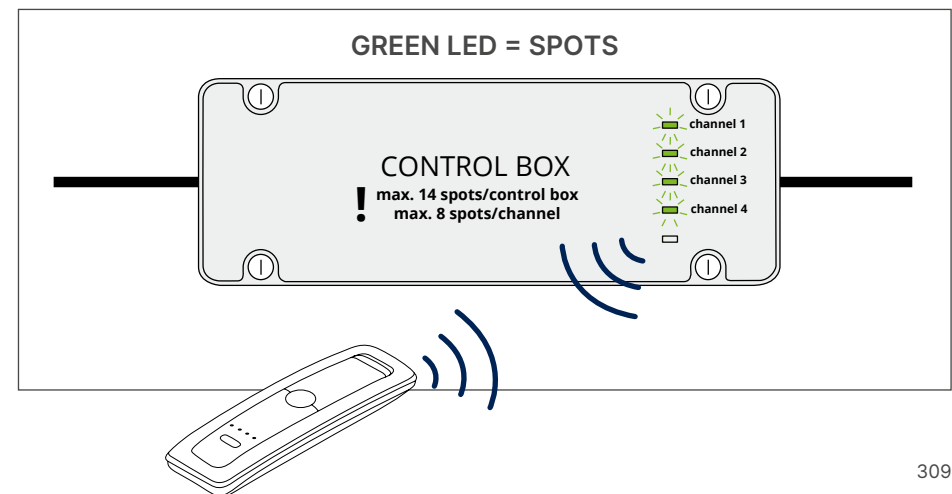
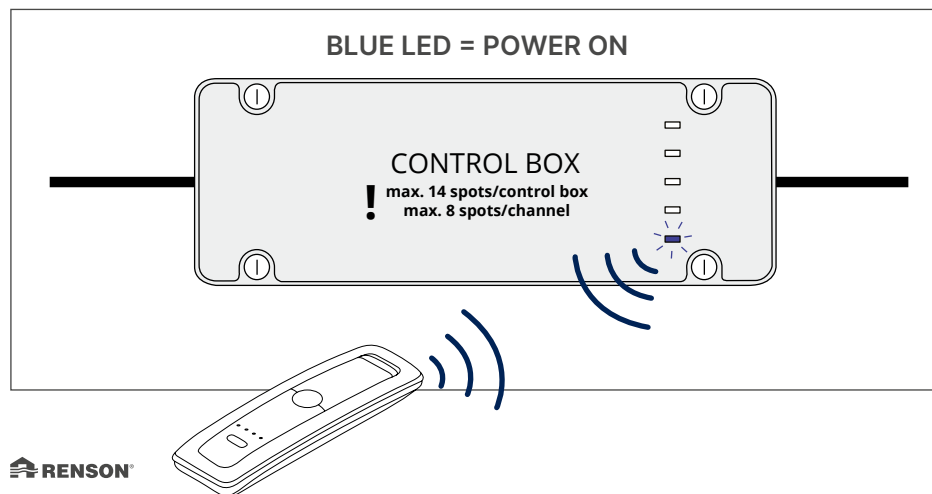
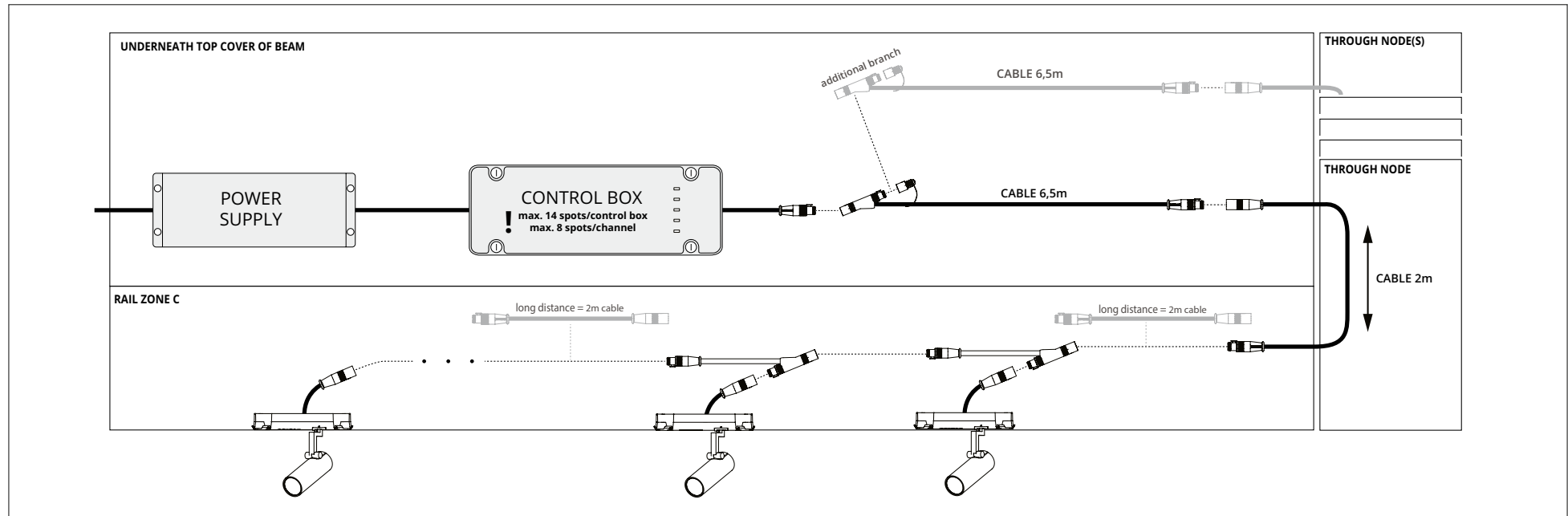
Steam in horizontal direction only.



COMFORT LIGHTING

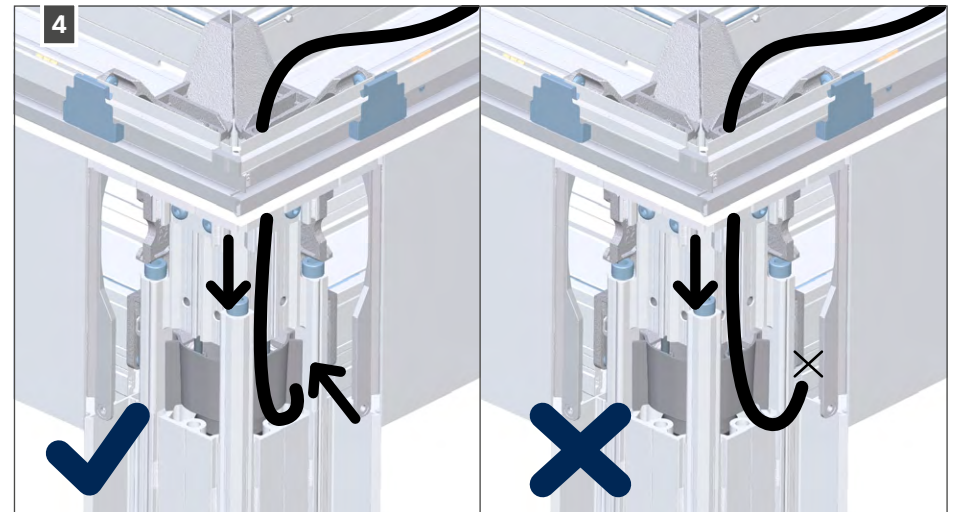
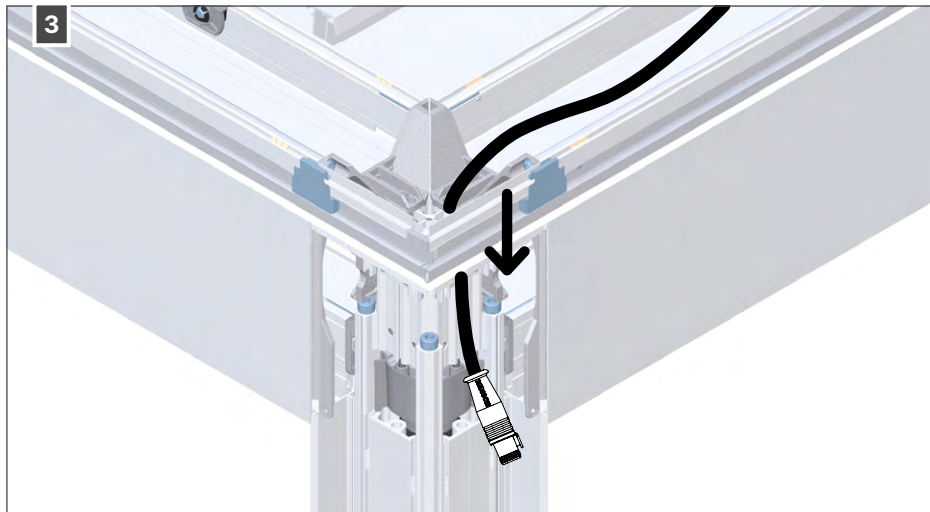
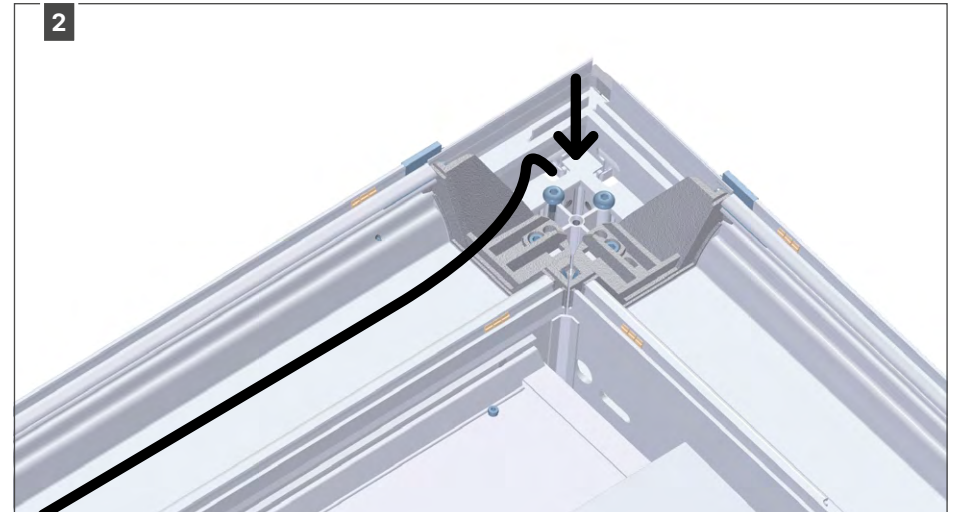
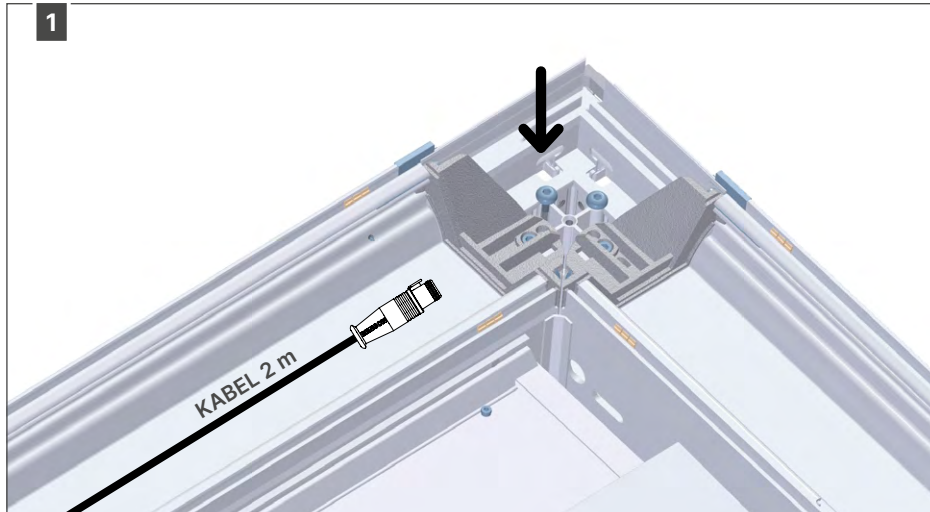
14 • Spot lighting

Test the spotlights before installing them in the canopy cover



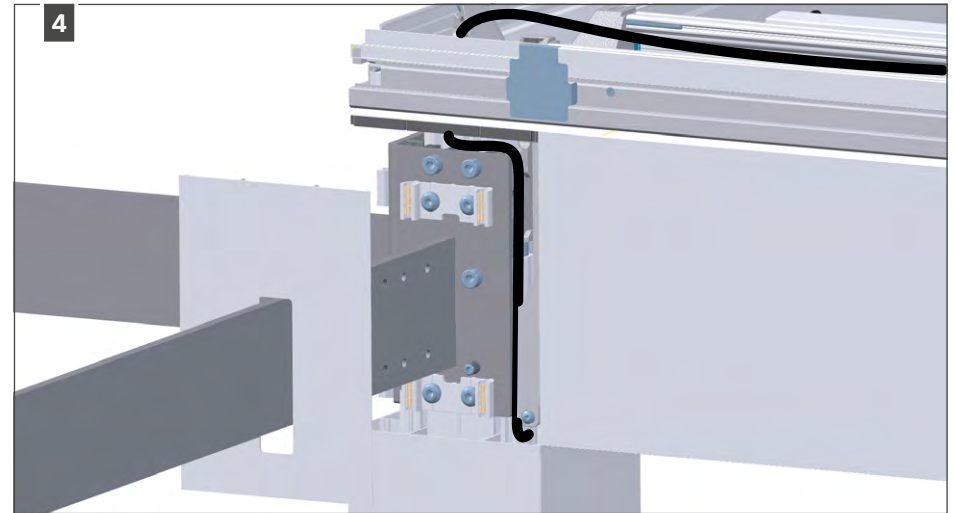
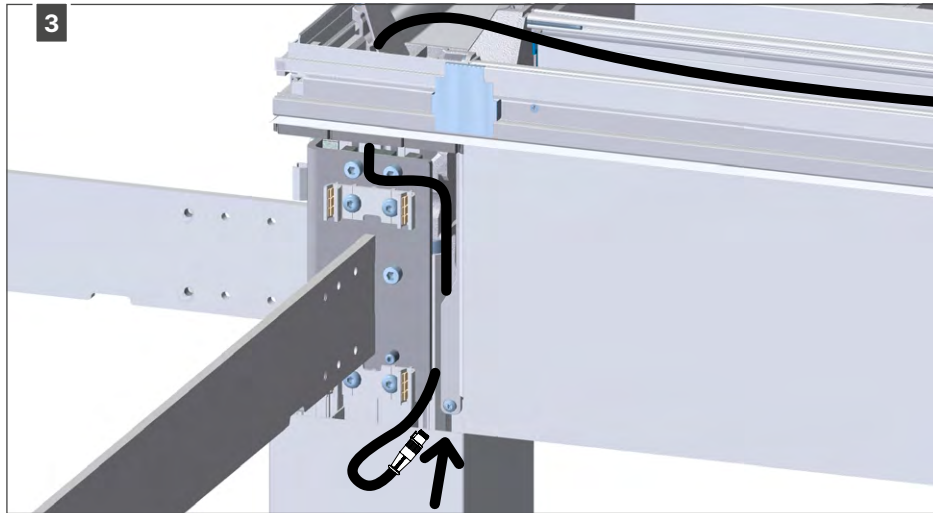
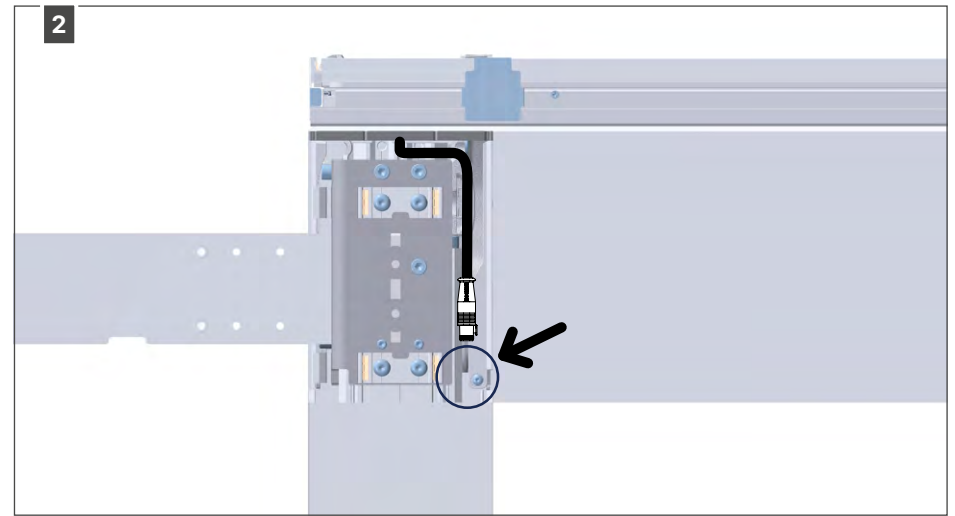
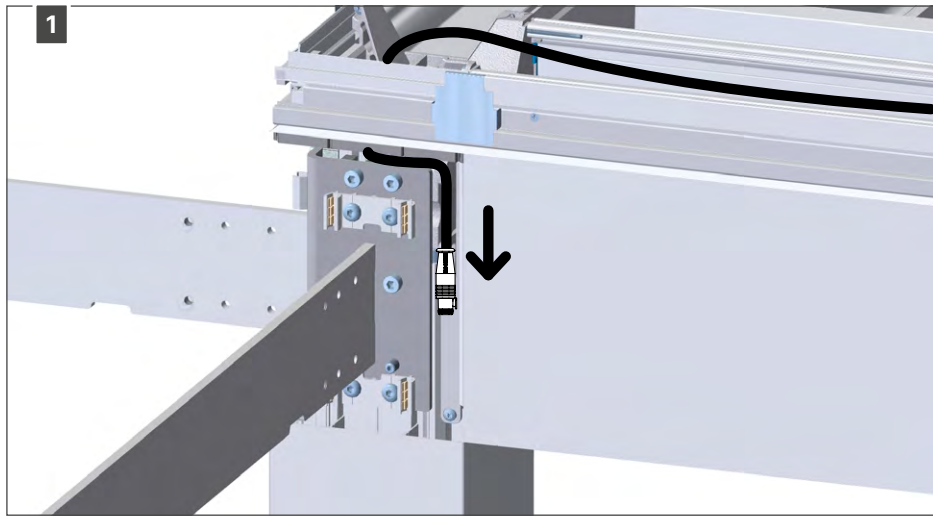
14.1 • Wiring in the rail

Insert 2 m of cable through the junction



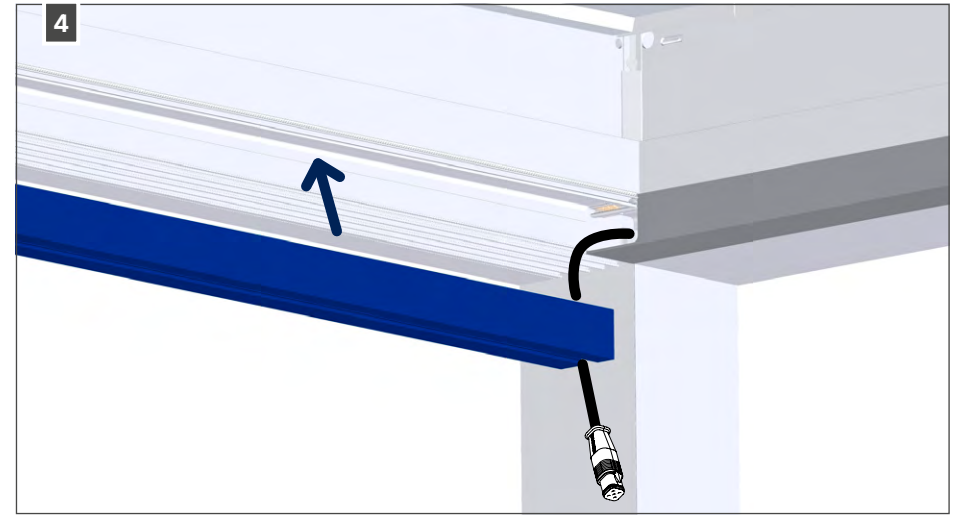
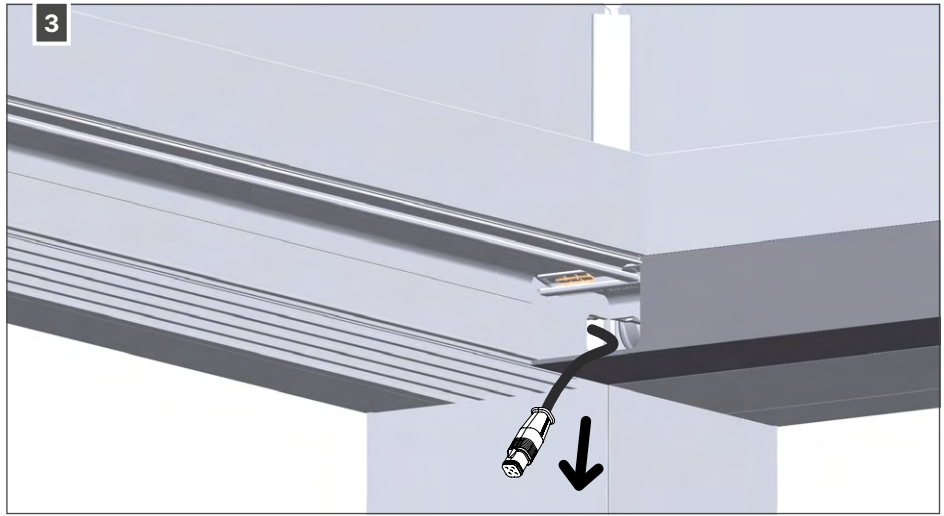
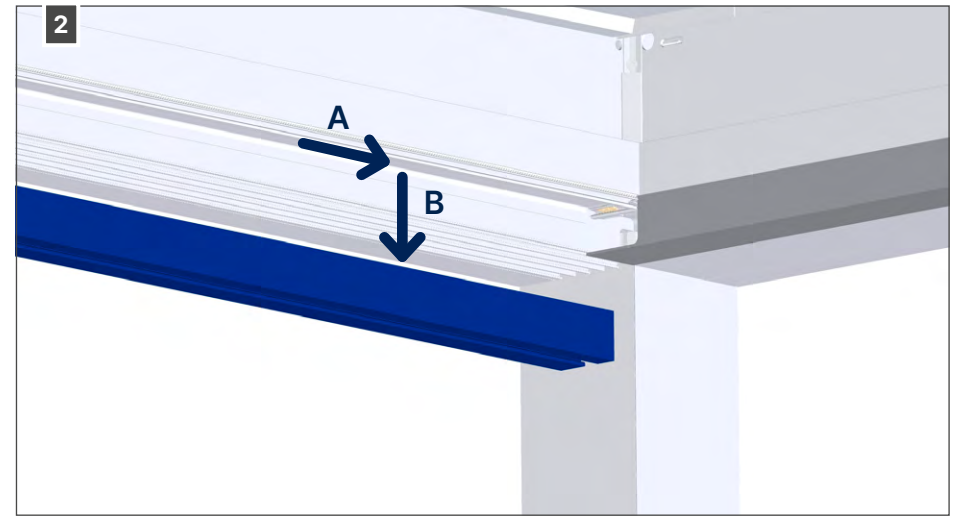
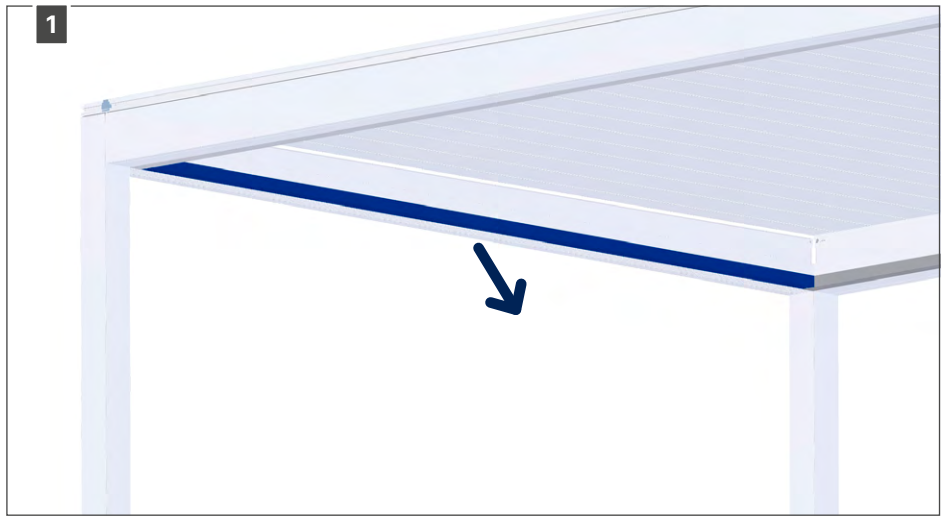
SPOT LIGHTING

In combination with louvred canopy

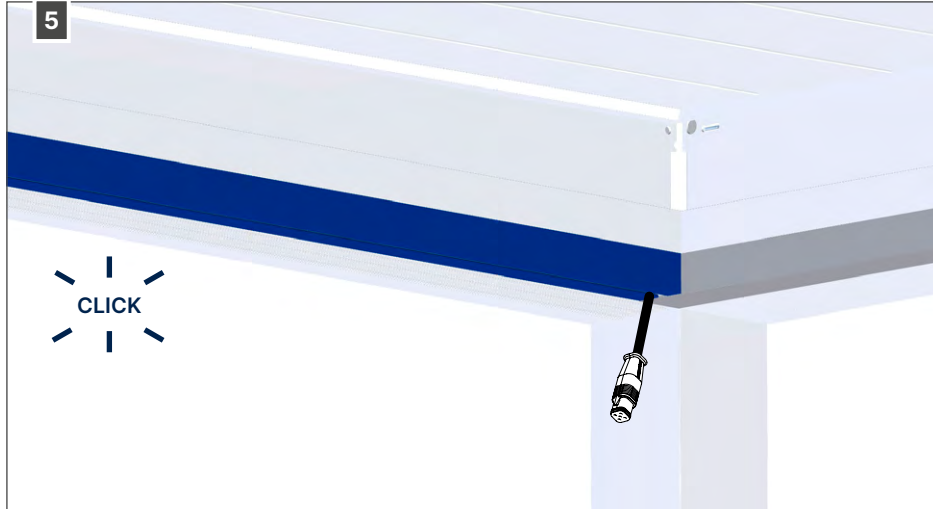


Slide the cable under the water funnel.

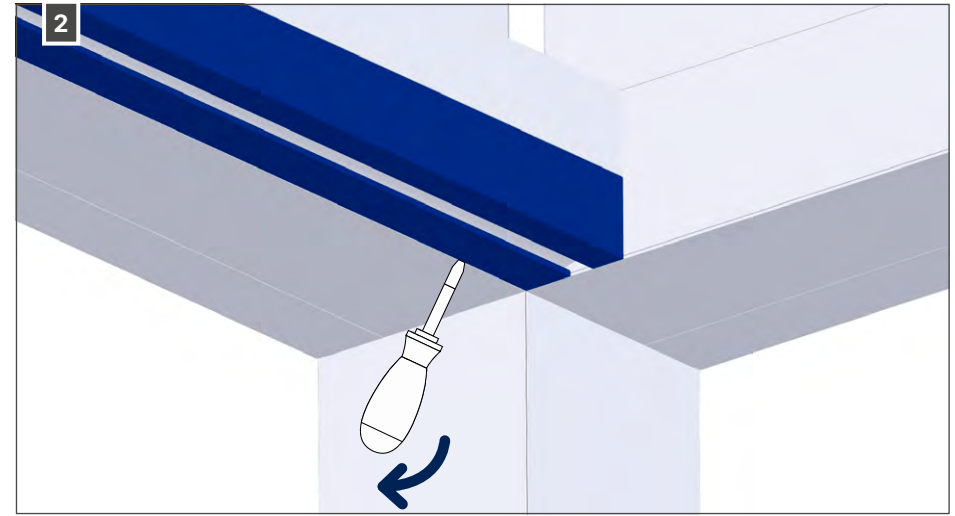
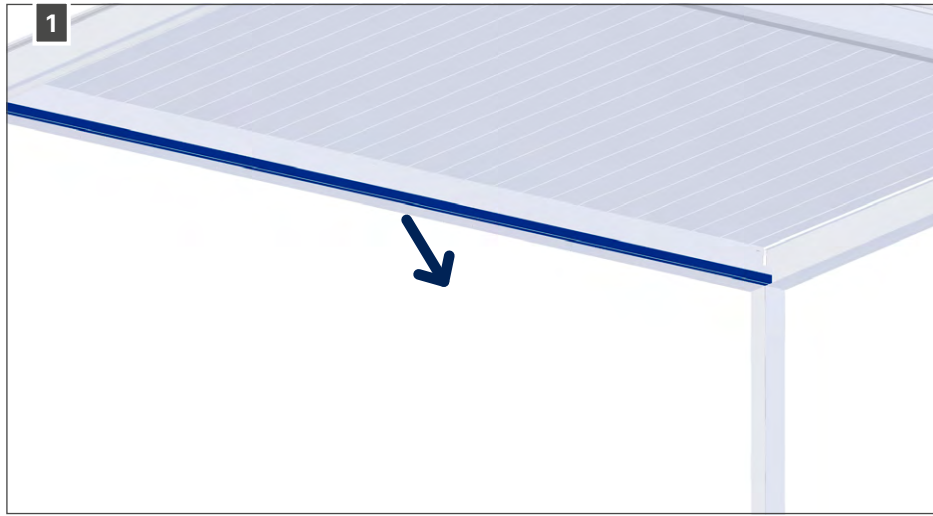
Span



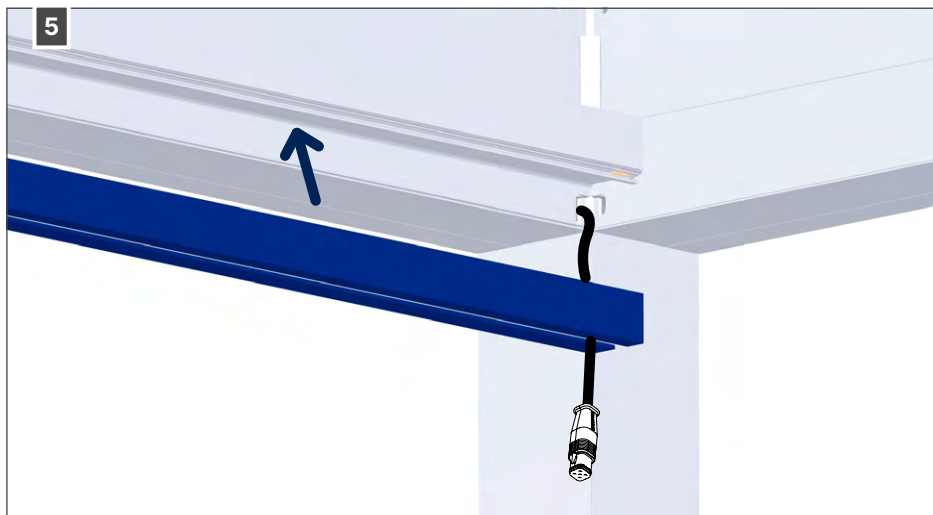
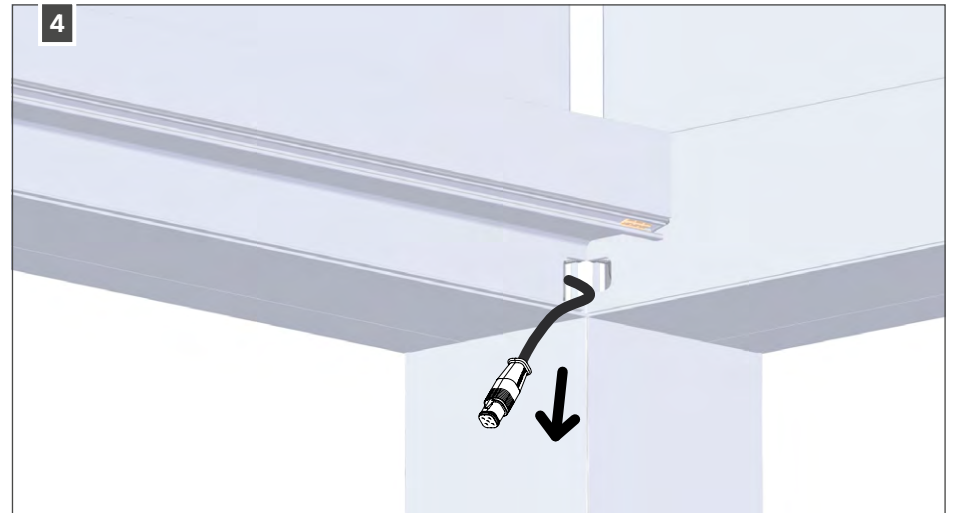
SPOT LIGHTING



Pivot

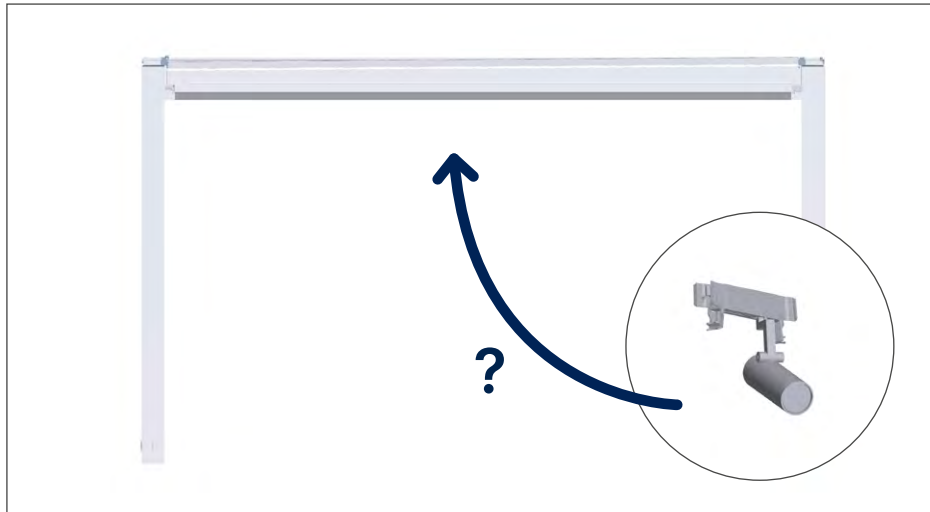


SPOT LIGHTING

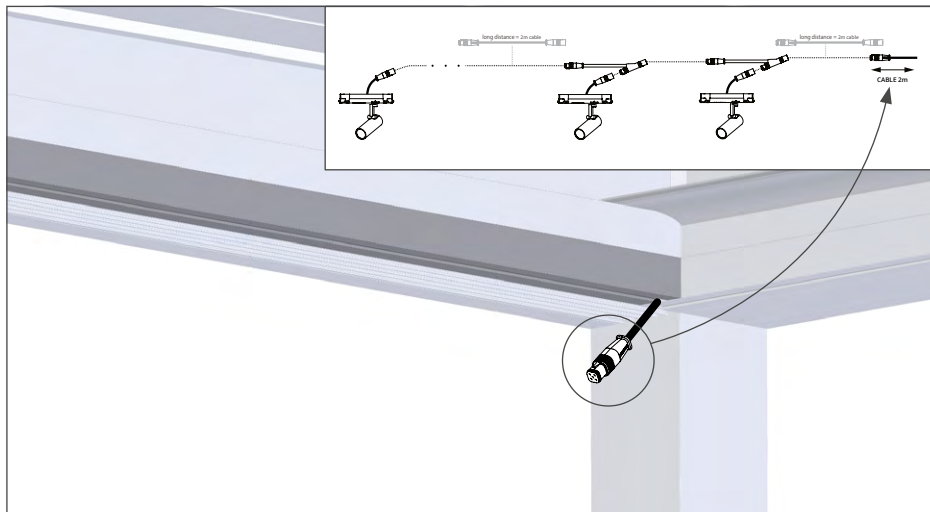


SPOT LIGHTING

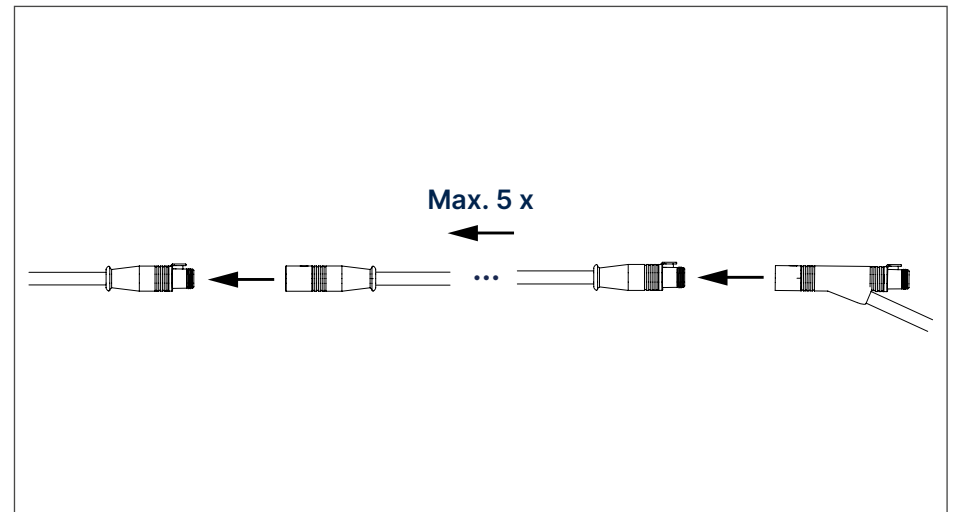
Determine the position of the spotlights



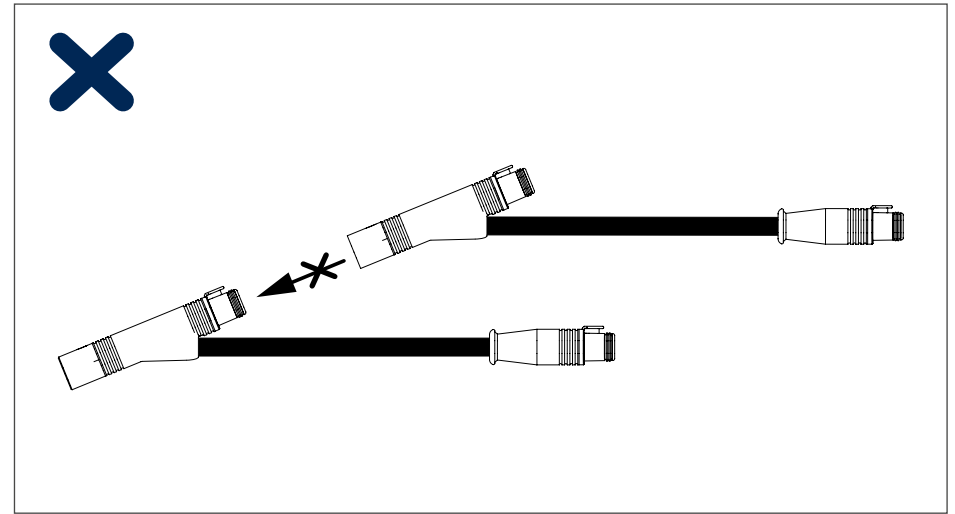
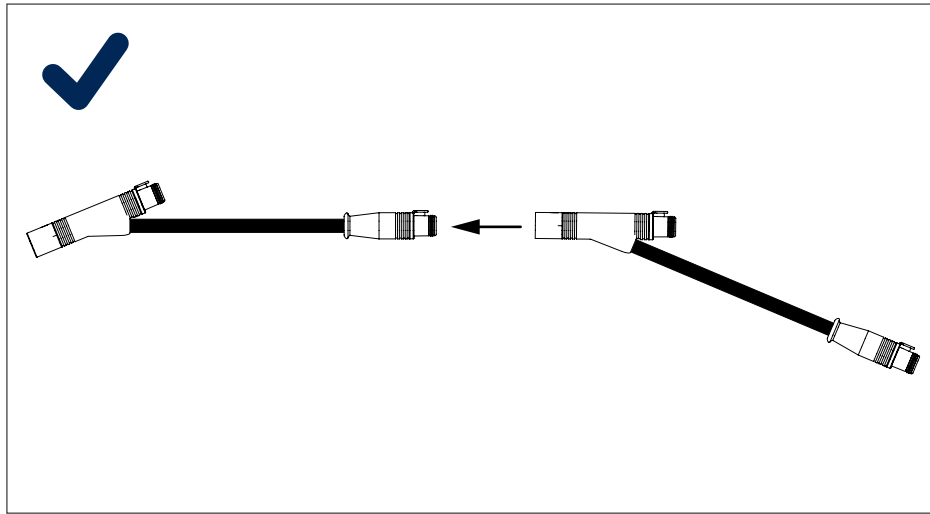
Wiring up to the spotlights



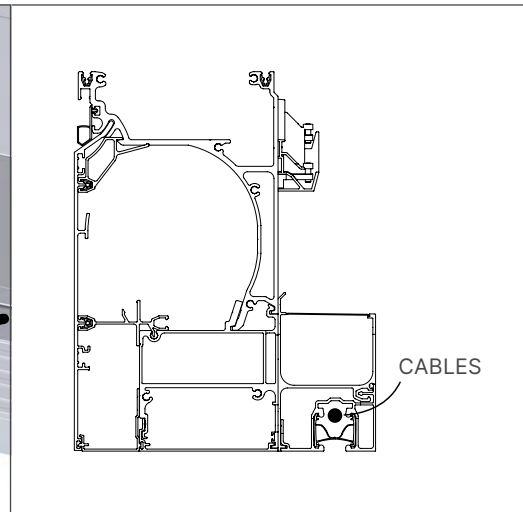
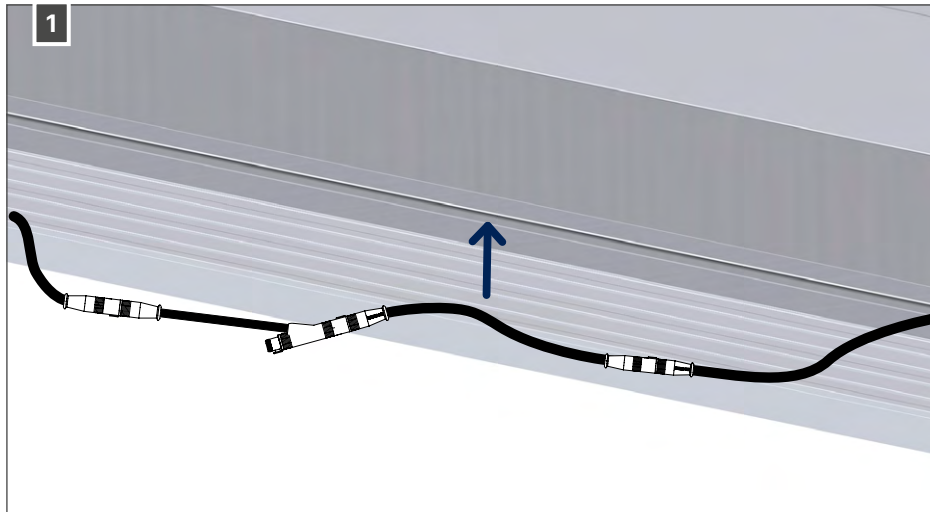
Compatibility/restrictions:



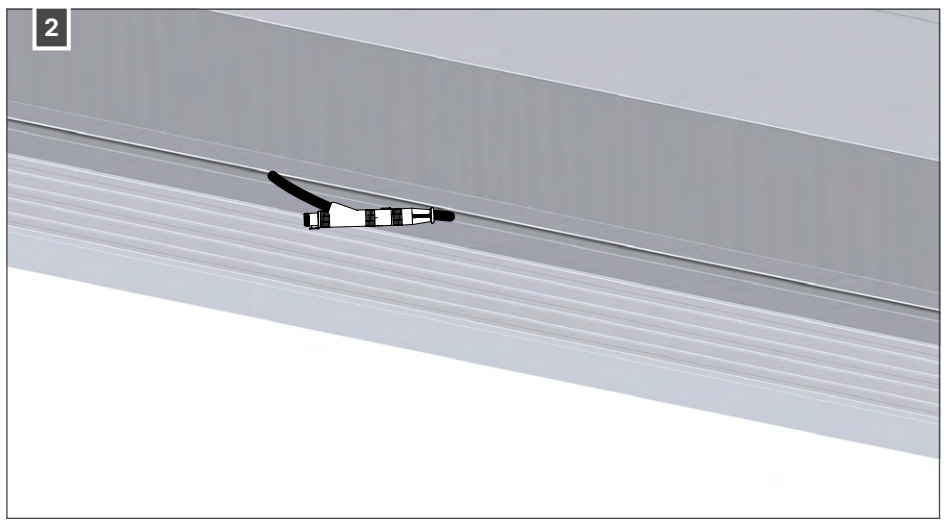
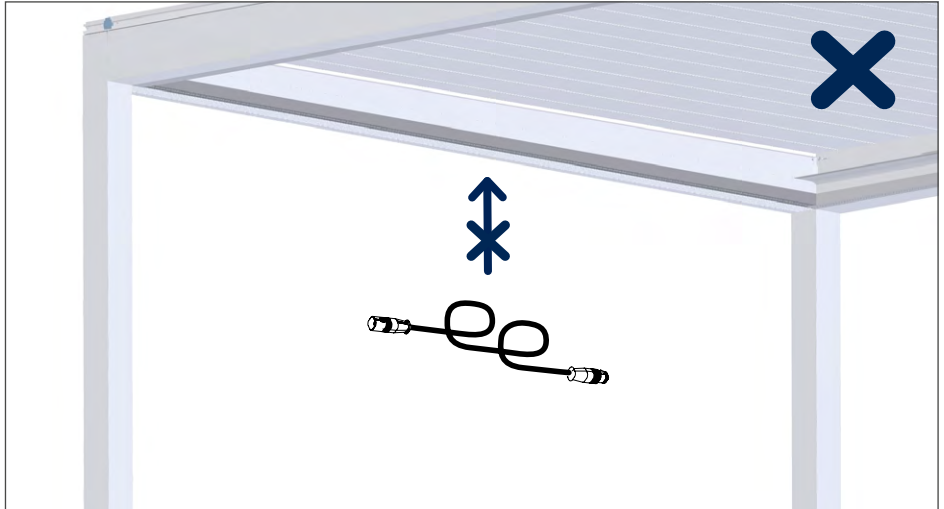
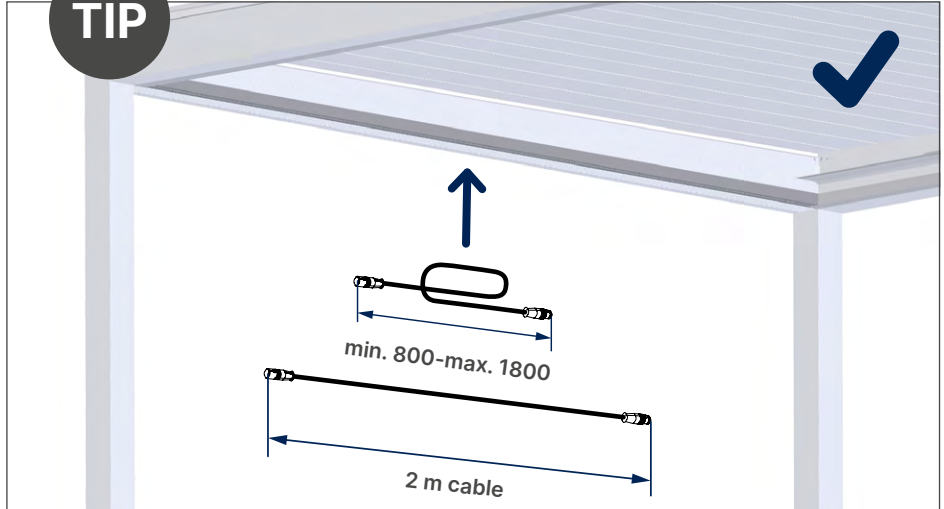
T-cable interconnection



Fitting the cables in the rail

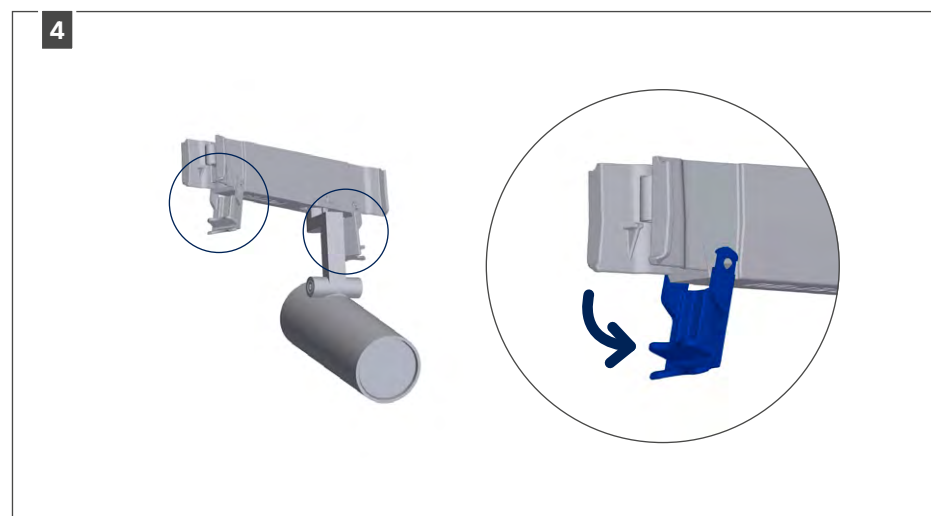
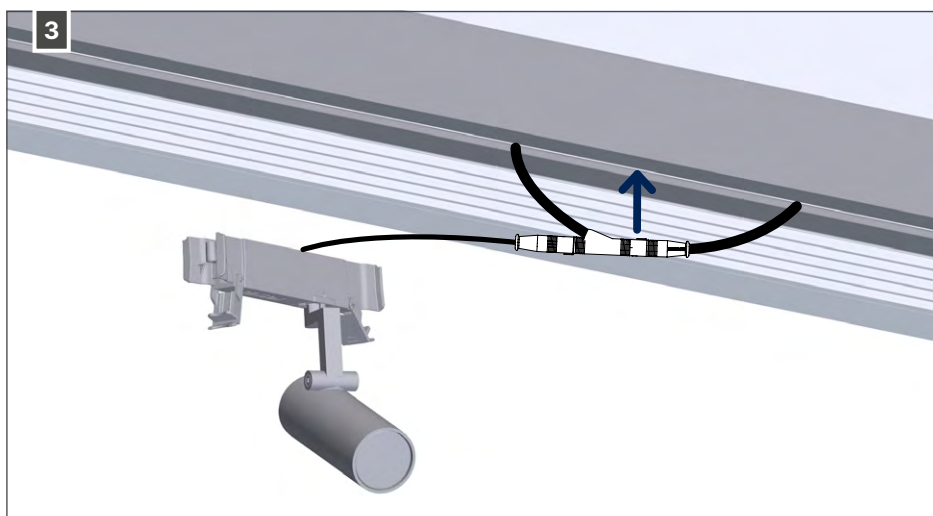
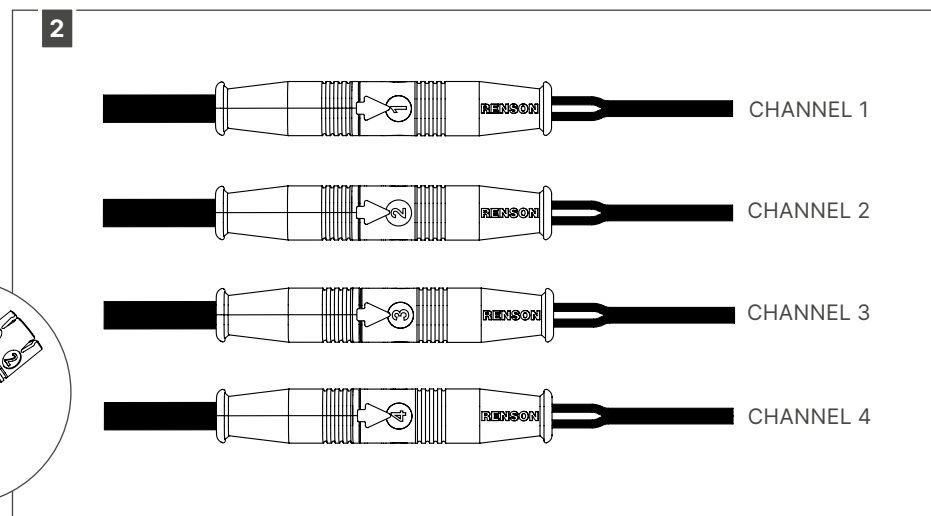
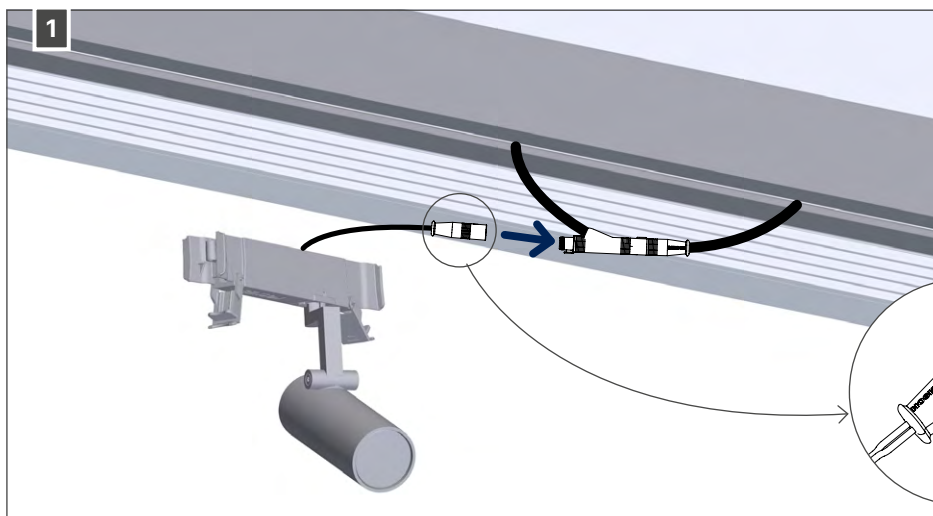


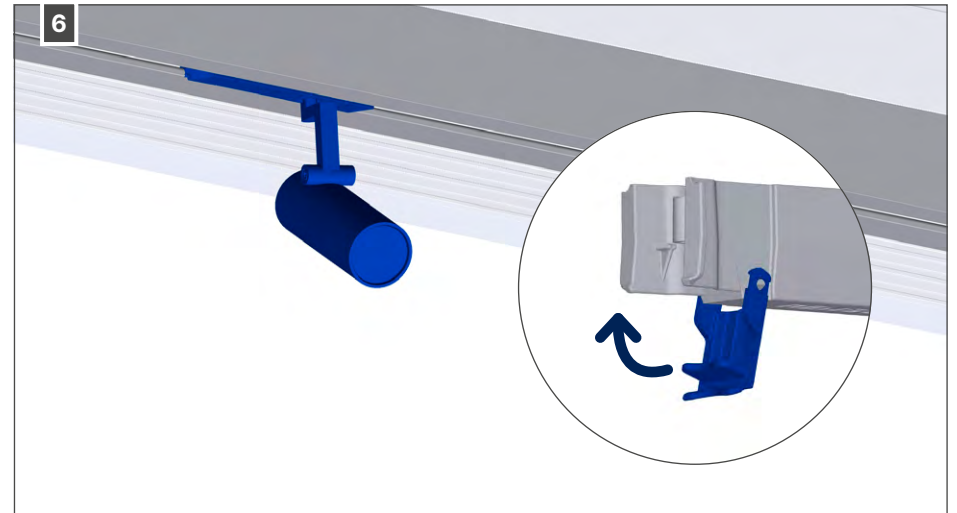
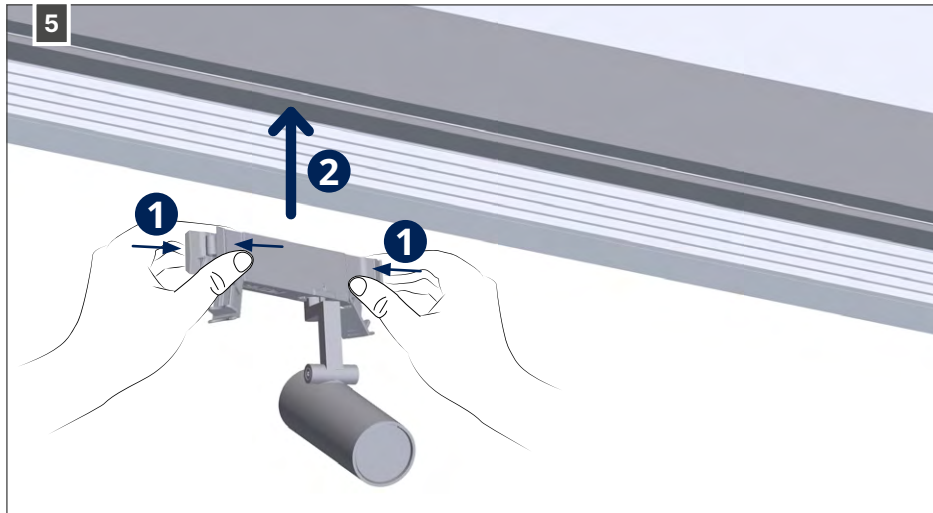
TIP



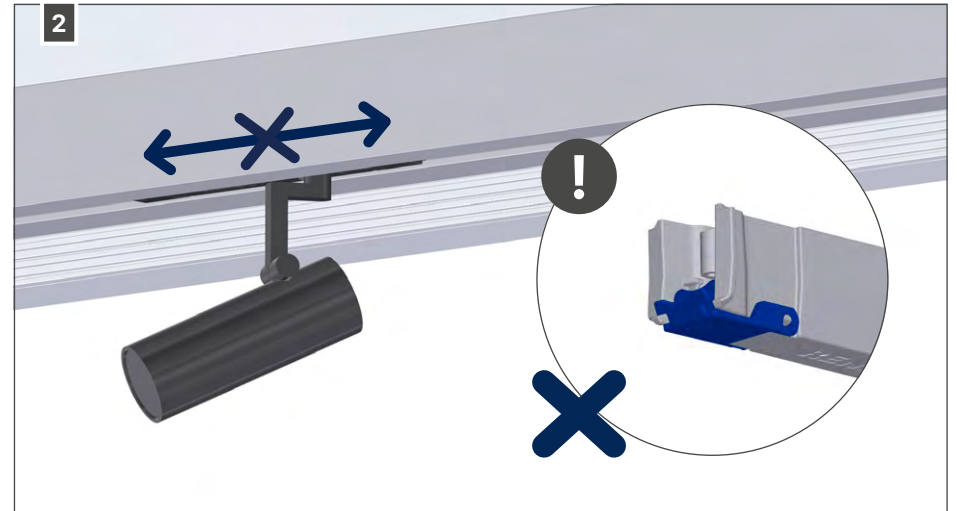
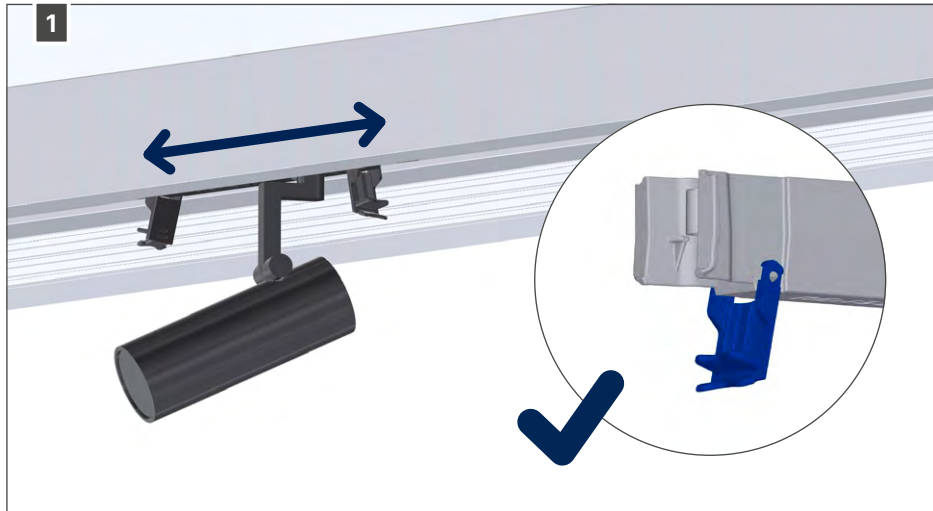
SPOT LIGHTING

14.2 • Connecting wiring to the spotlights



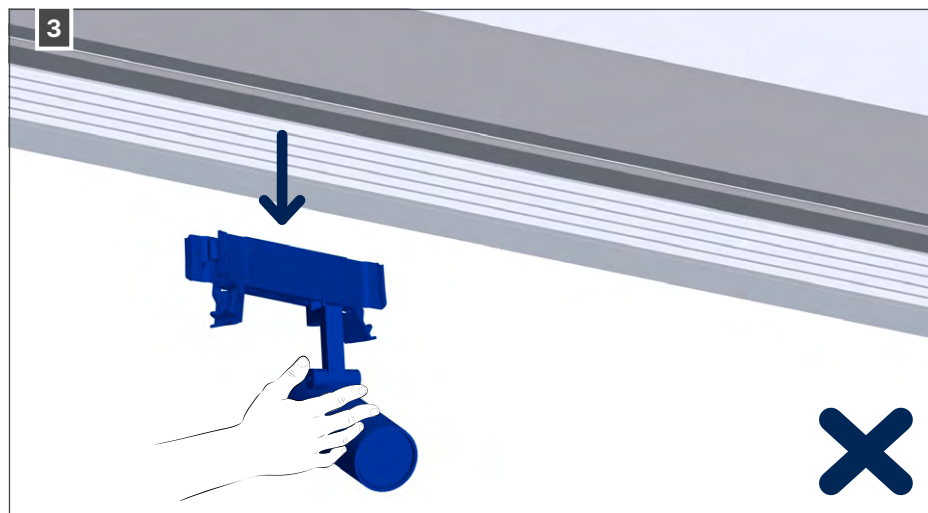
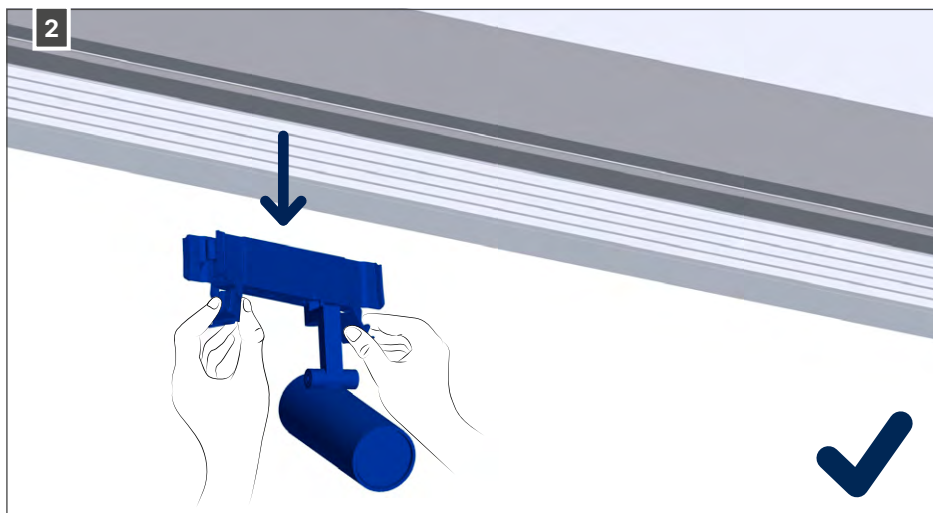
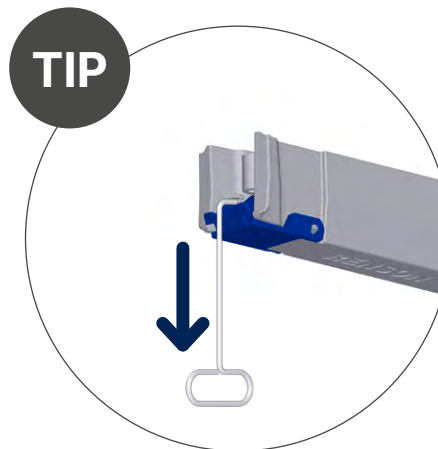
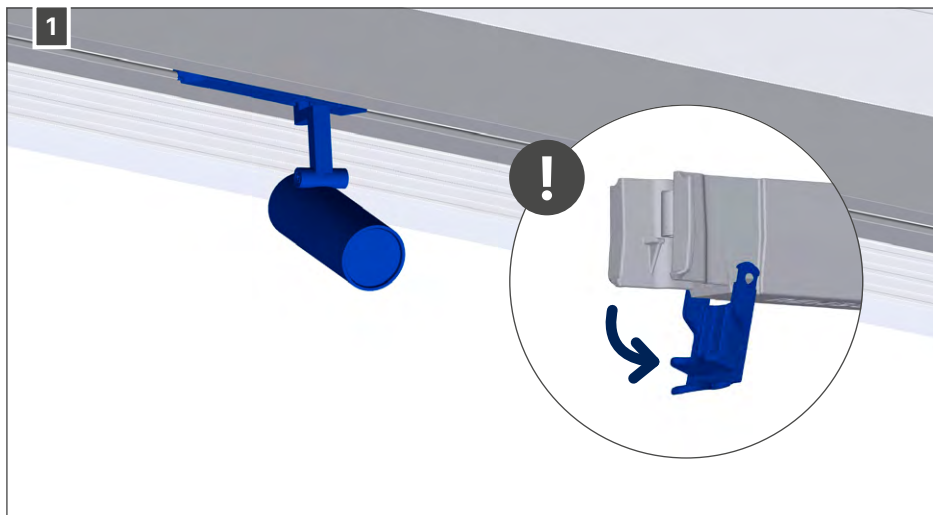


Adjusting the position of the spotlight



SPOT LIGHTING

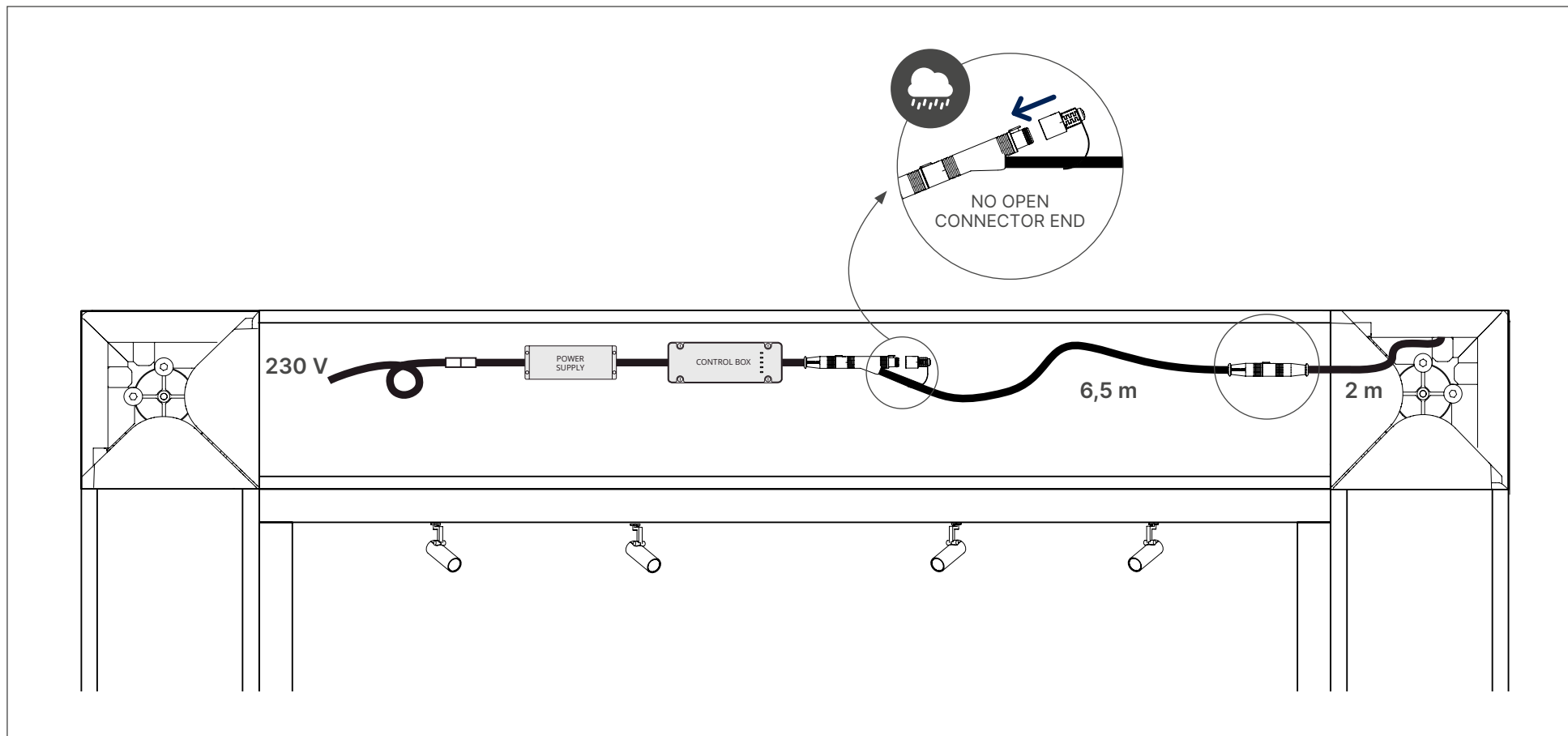
Removing the spotlight from the rail



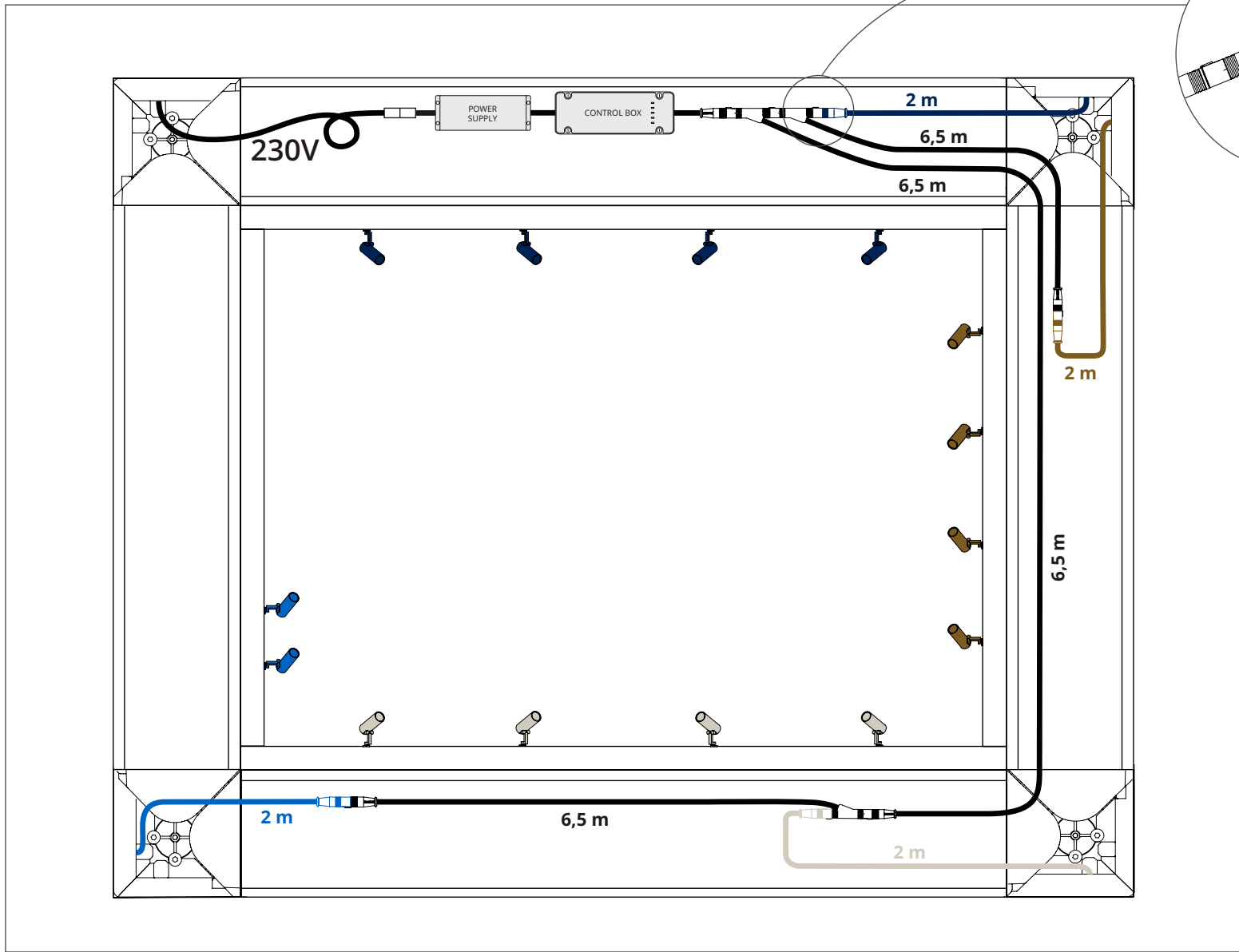
SPOT LIGHTING

14.3 • Connecting spotlights to control unit

Through a junction

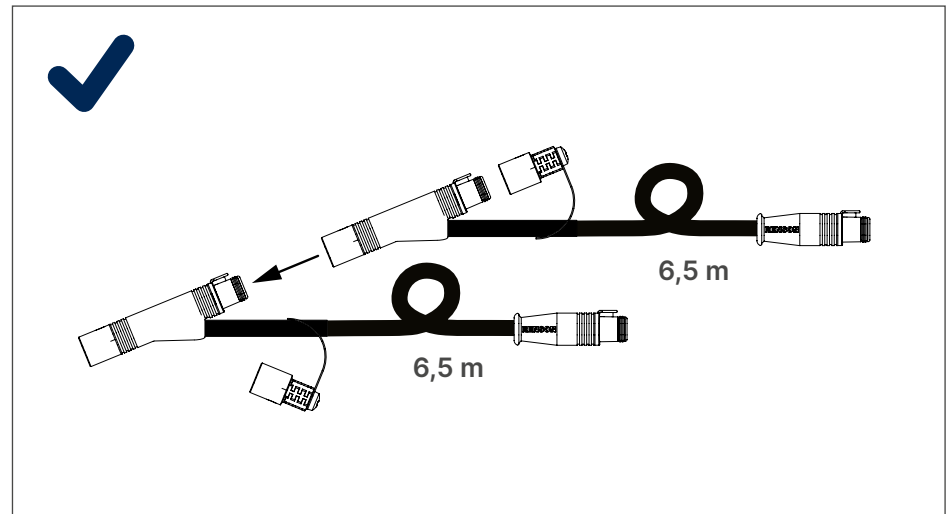
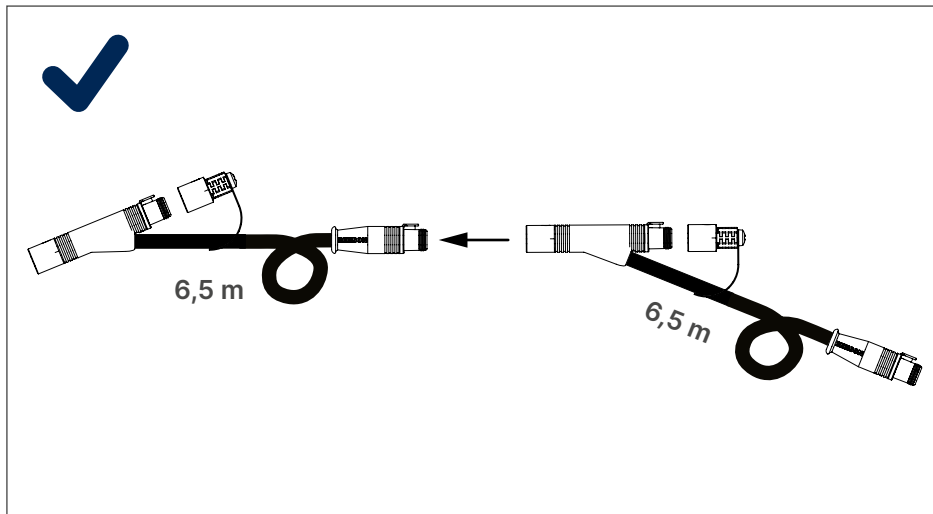


Through multiple junctions

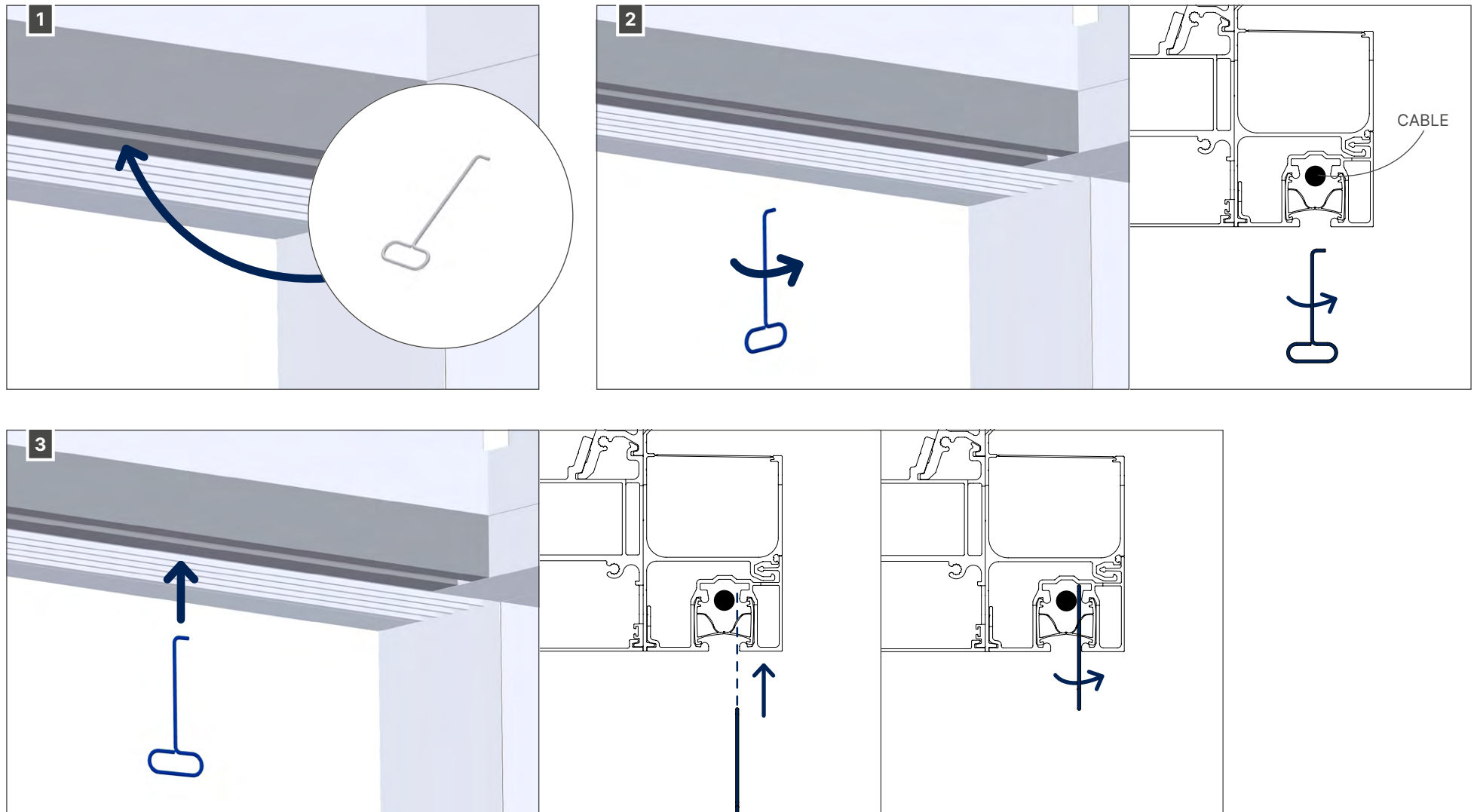


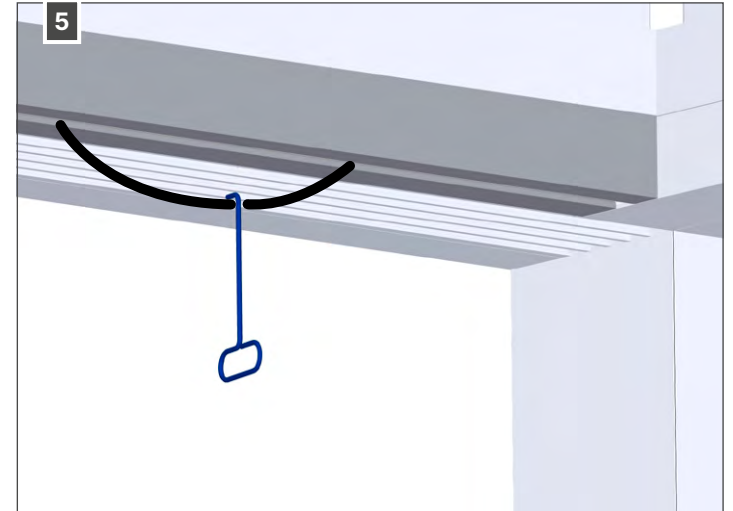
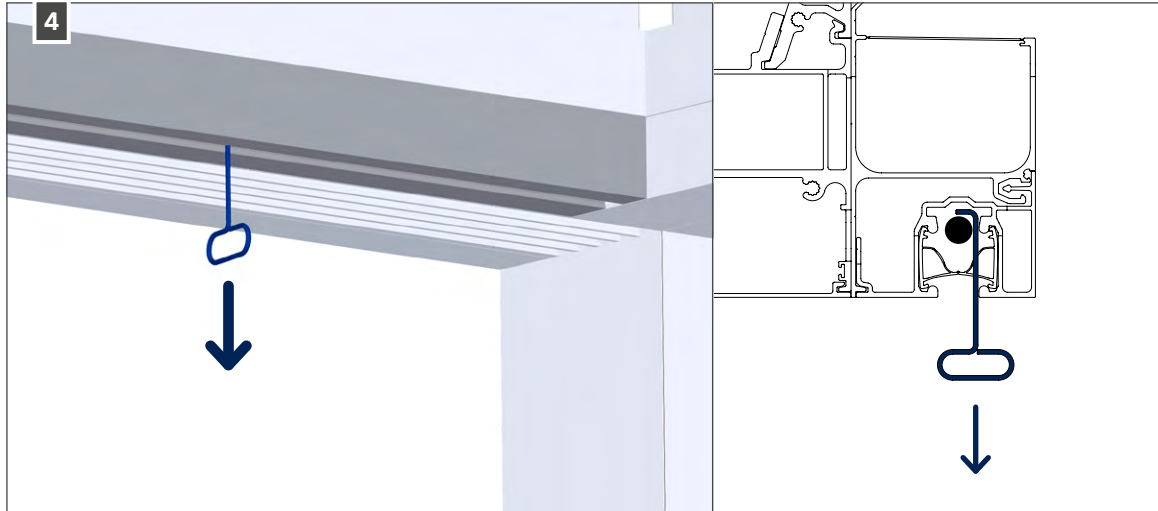
SPOT LIGHTING

Interconnect extension cables (6.5 m)



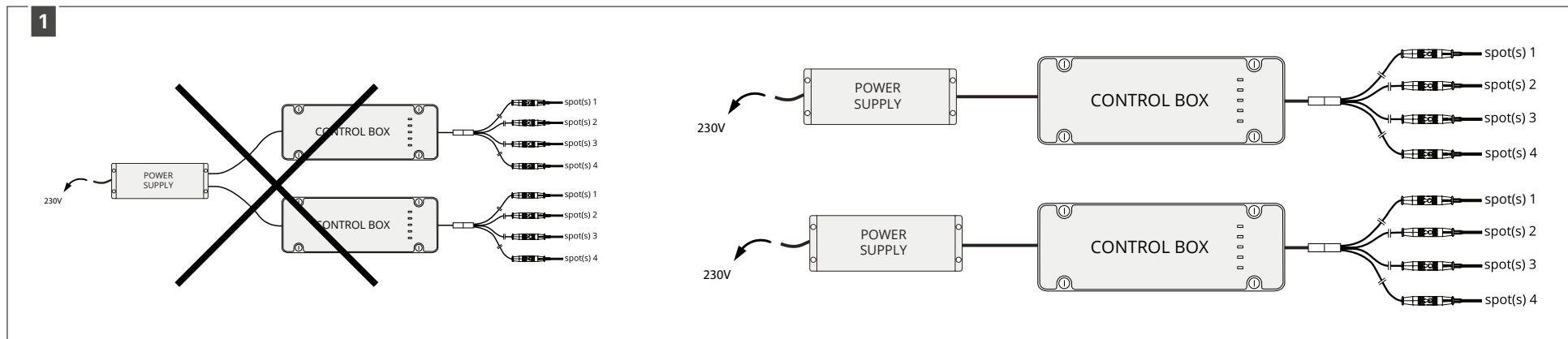
14.4 • Use the tool to remove the cable from the rail



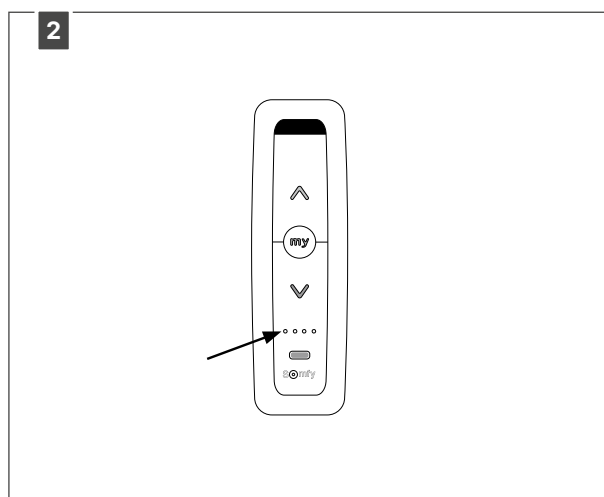


14.5 • Setting the spot lighting

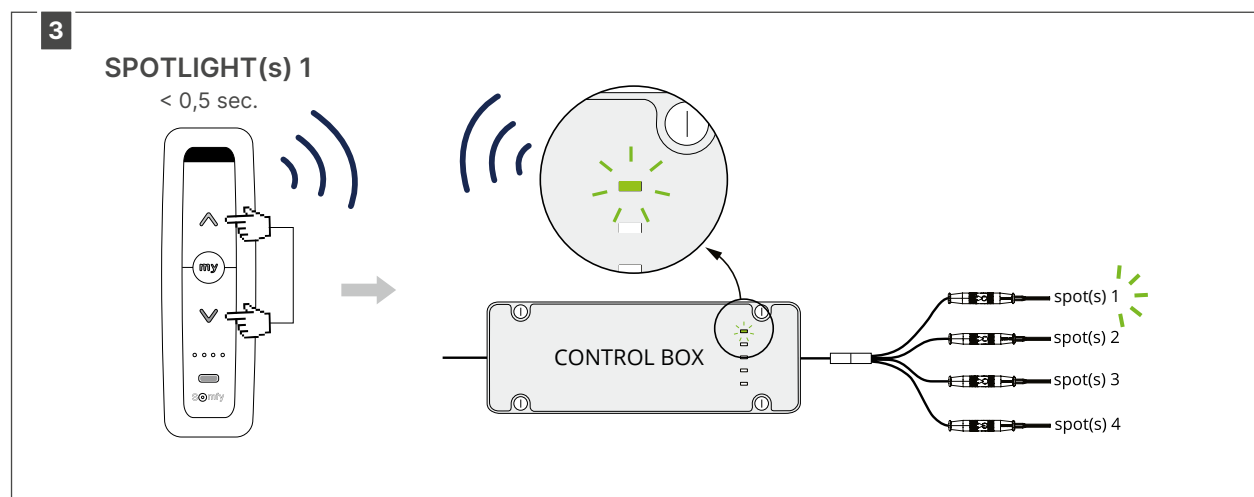
14.5.1 • Setting the spot lighting



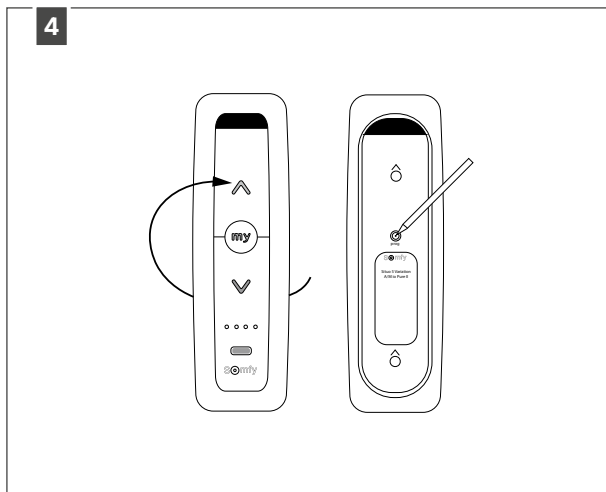
Note: If there are multiple controls, these must never be powered together.



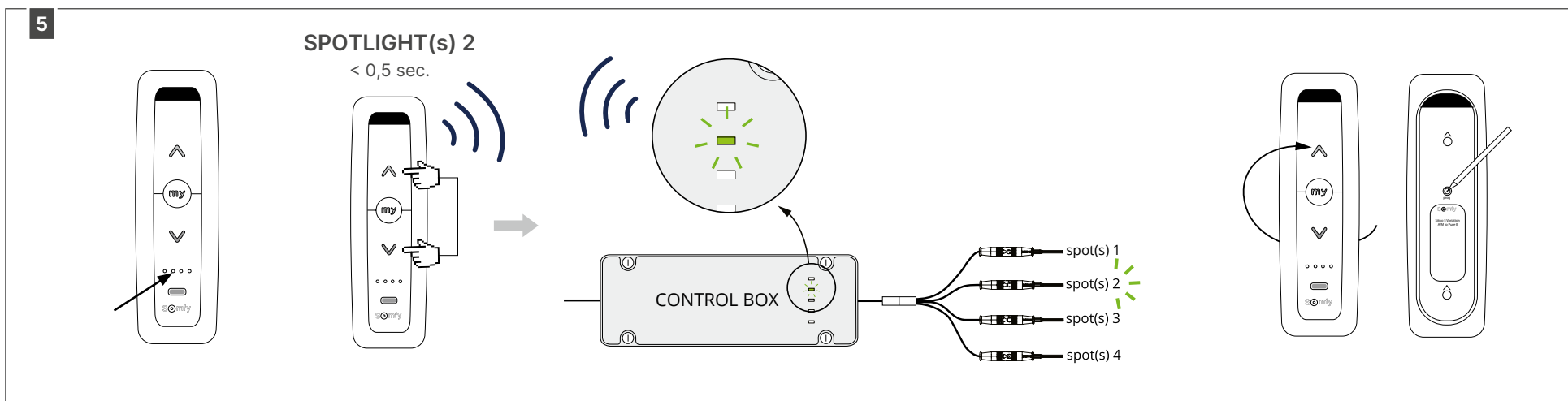
Select a free channel on the Somfy Situ io handheld remote control.



(Briefly) press the UP and DOWN button on the Situ IO remote control simultaneously. The spotlight connected to the first output will light up.



Press the PROG button briefly on the back of the Situo IO remote control. This confirms the setting.



Note: If multiple outputs are connected, repeat steps 2, 3, and 4.

Tip: Several spotlights can also be programmed together in 1 channel.

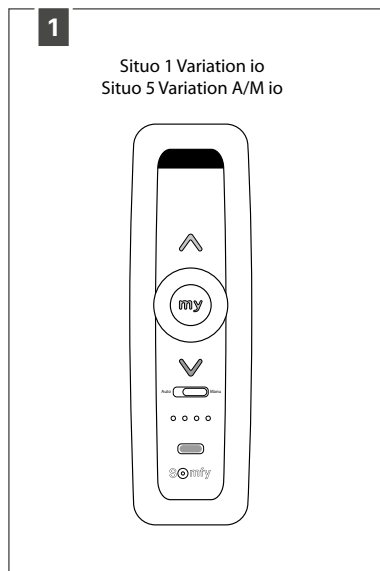
SPOT LIGHTING

14.5.2 • Setting the Situo Variation io remote control to user MODE 2

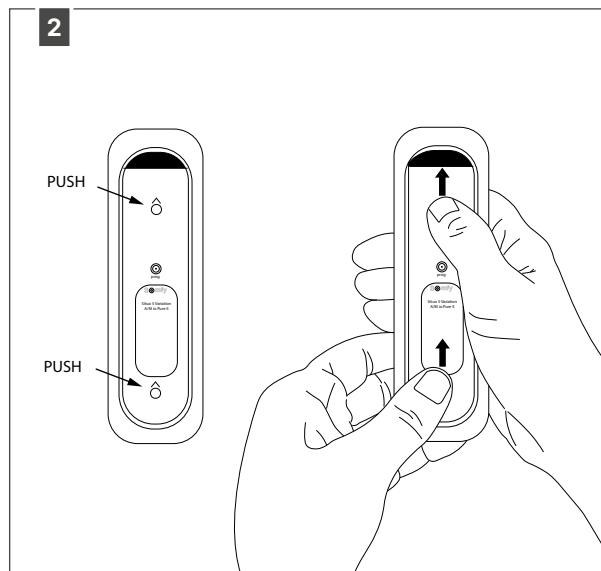
The Situo Variation io comes with 4 preprogrammed user modes.

This enables you to choose the right user mode depending on the system type of the group to be controlled.

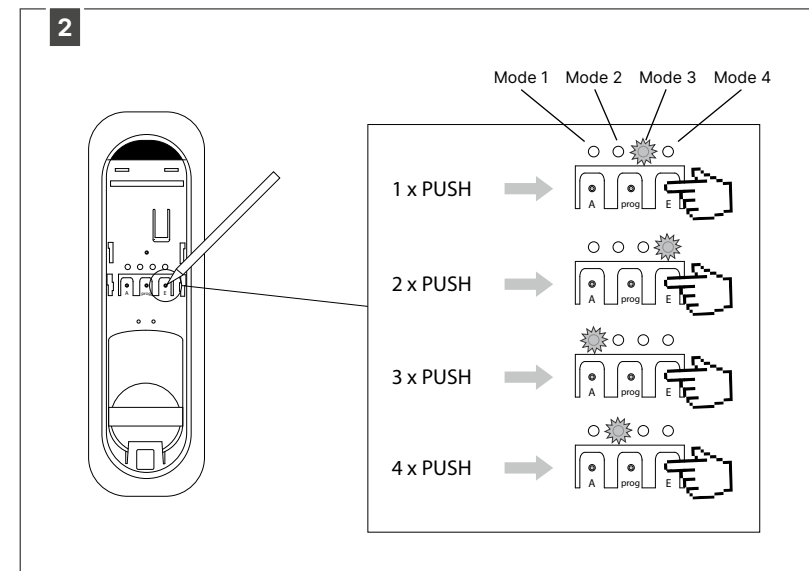
Mode 2: active dimmer to change lighting or heating.



The hand-held remote is in mode 3 as standard. First, select the channel to be adjusted in the Situo 5 Variation A/M io.



Remove the cover at the back of the remote control.



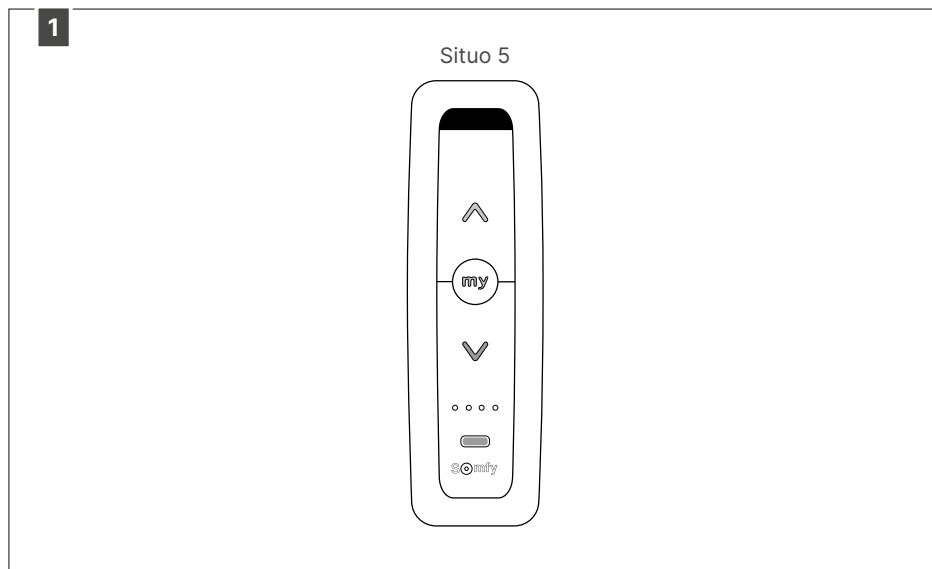
Press button E (the button furthest to the right).

- 1 brief press: requests the mode connected to the group.
- Multiple presses: changes the mode connected to the group.

Fasten the rear cover back in place.

Note: Every channel has its own mode. It is recommended to place the channel of the white LEDs and the roof also in MODE 2. Repeat the above steps for these channels as well. This way you can dim the white leds and tilt the blades with the scroll wheel.

14.5.3 • Returning the LED lighting to factory settings

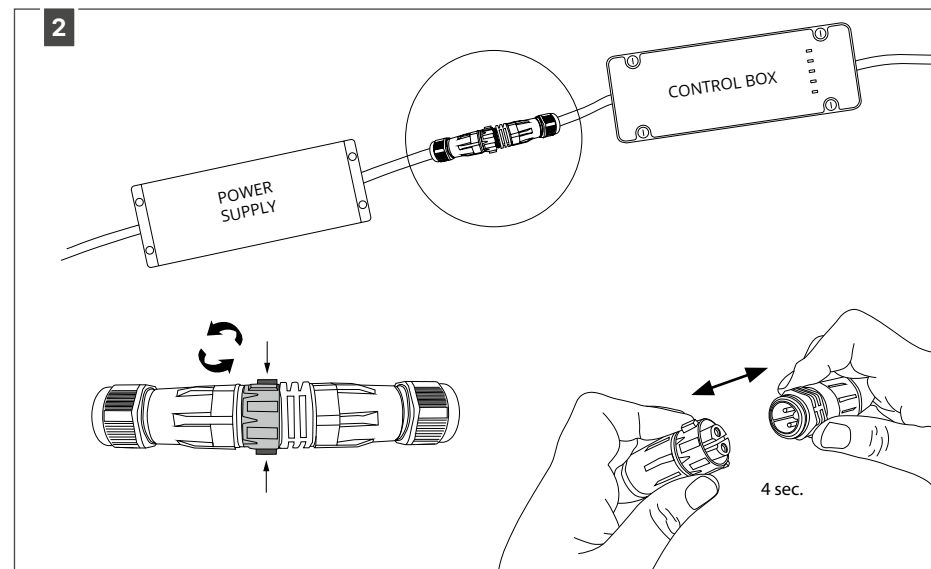


You can perform an LED lighting 'Memory Reset' (Colomno-, UpDown- or Lineo LED lighting).

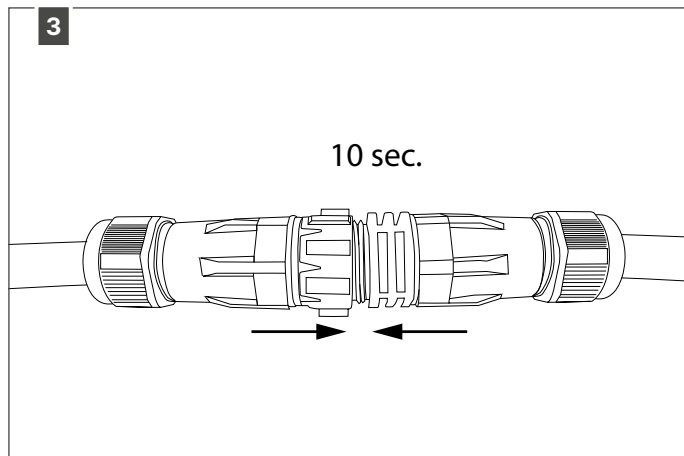
To do this, use a Somfy Situo io remote control.

Note: Disconnect all other connected io products from power if they are connected in parallel.

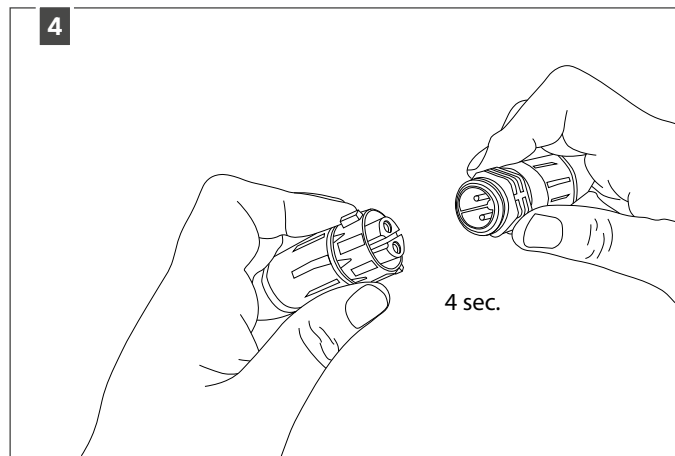
Please note! Do not use the general fuse to do so; instead, use the connector between the transformer and the receiver! Otherwise, you will reset all other io products as well.



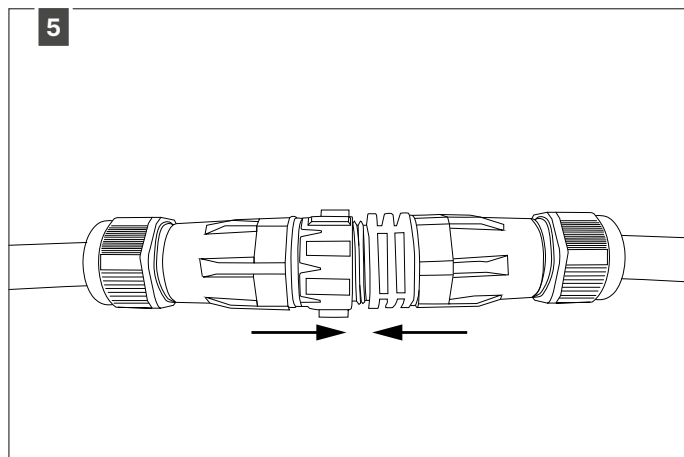
Disconnect the connector between the transformer and receiver for 4 seconds. Turn the screw with the 2 protruding wings.



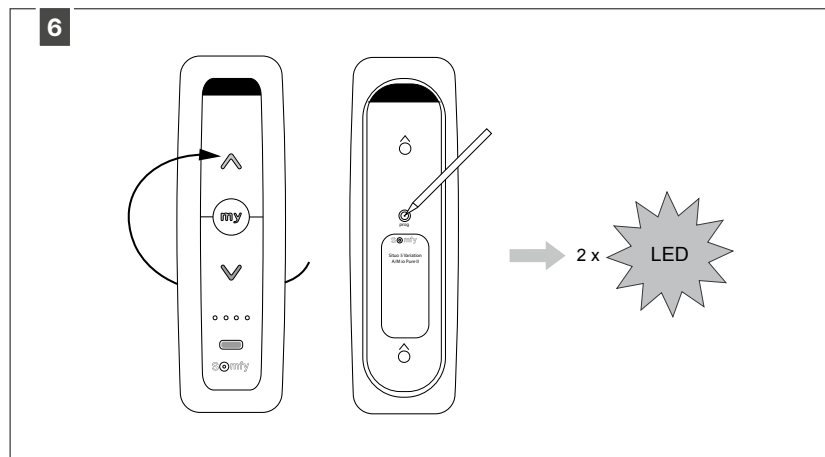
Reconnect the connector for approximately 10 seconds (min. 5 seconds and max. 15 seconds).



Disconnect the connector between the transformer and receiver again for 4 seconds.



Reconnect the connector. All LED lighting will switch on and off again. Tighten the connector again.



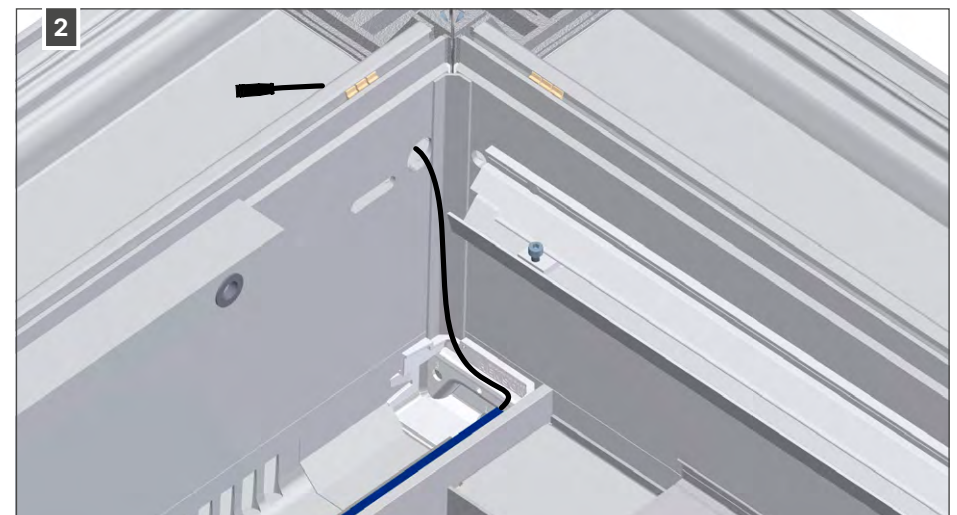
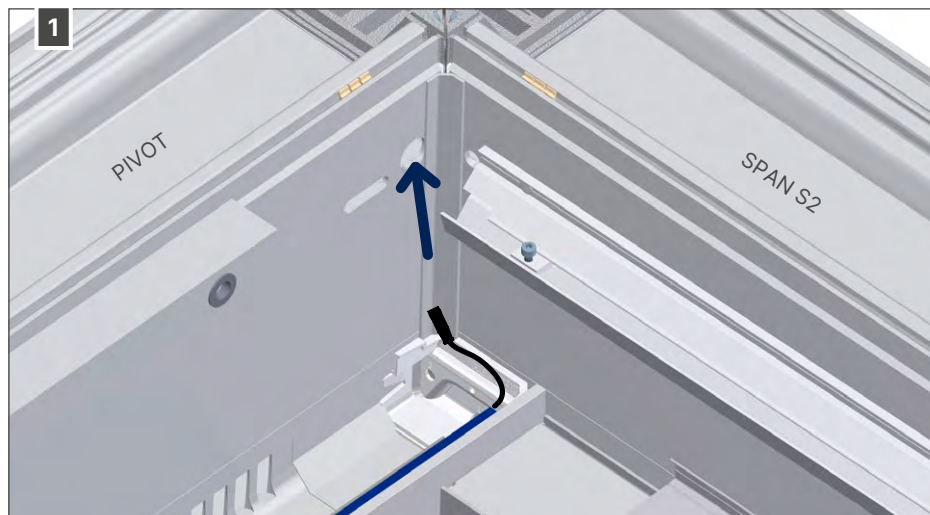
Press the PROG button on the rear side of the Situo remote until all LED lighting switches on and off twice in a row. The receiver has now been reset to its original configuration.

15 • Ambient roof LED

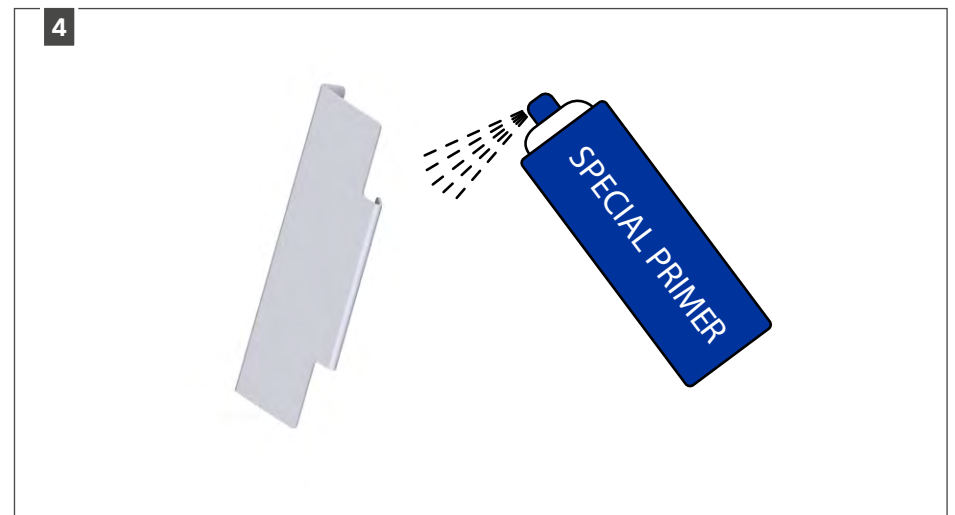
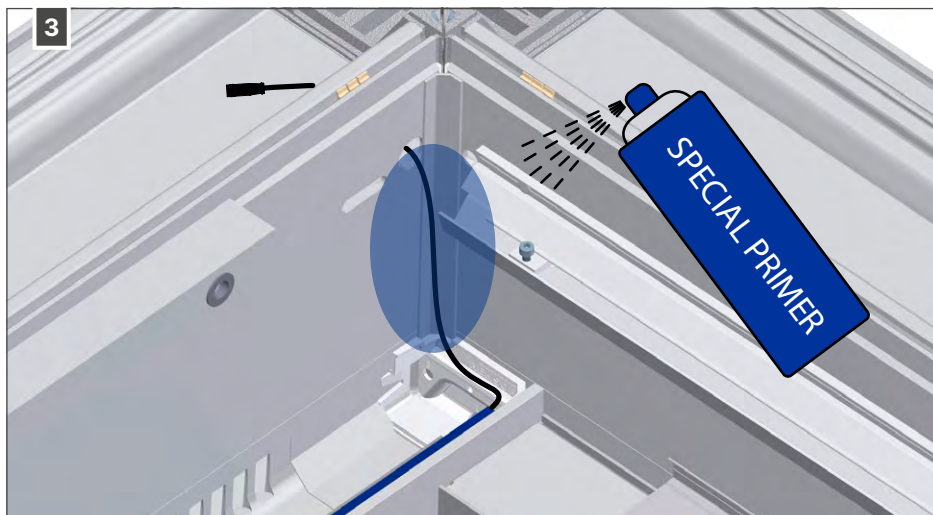
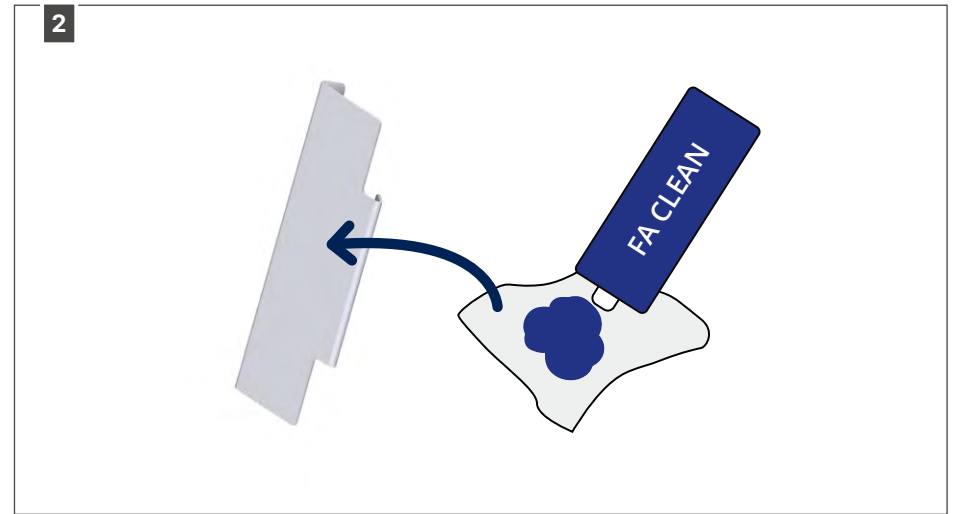
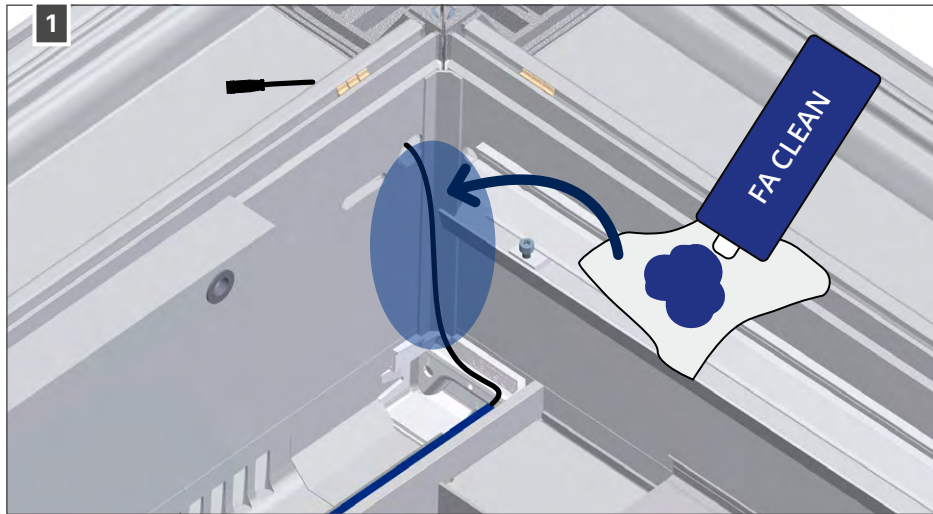
15.1 • Position in the canopy

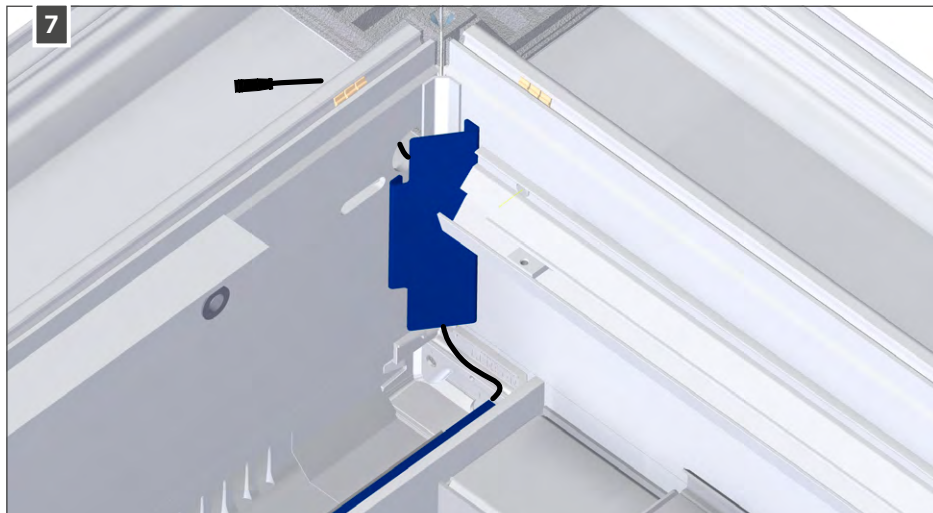
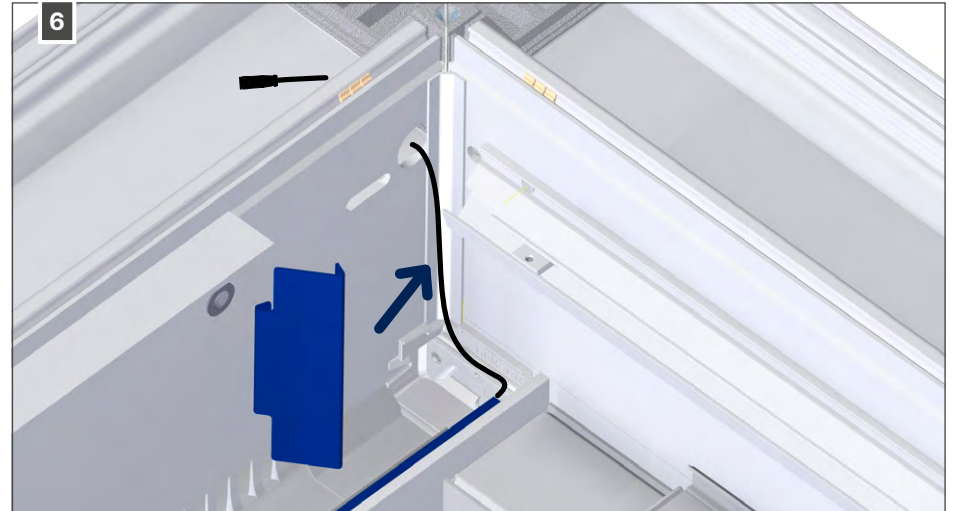
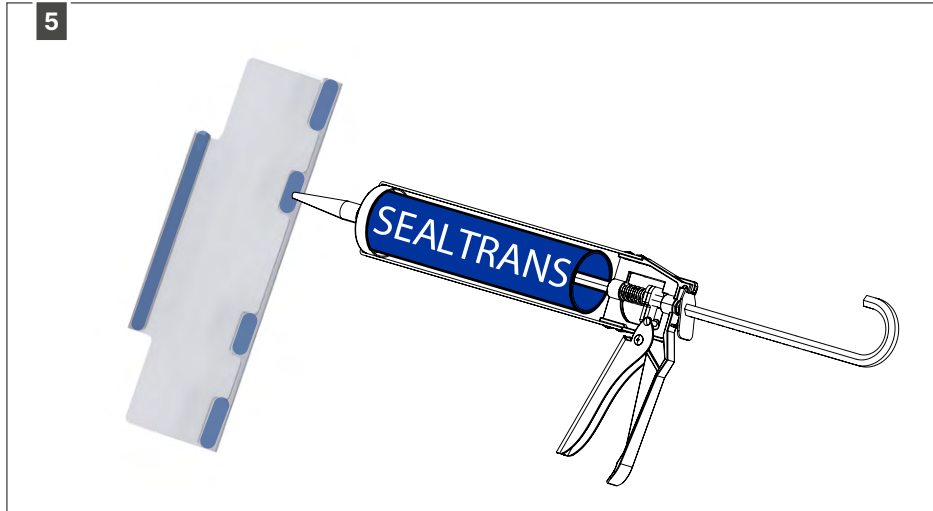


15.2 • Connecting wiring

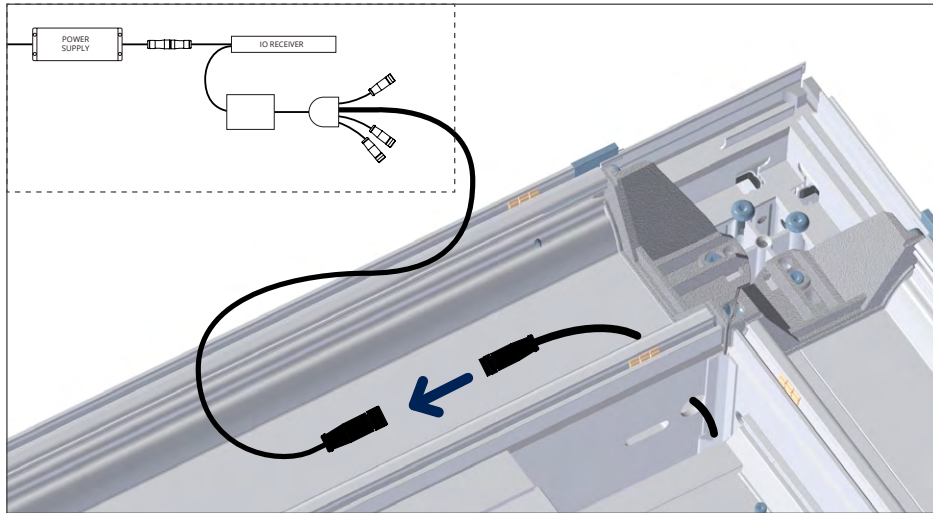


15.3 • Fitting the finishing profile over the cable



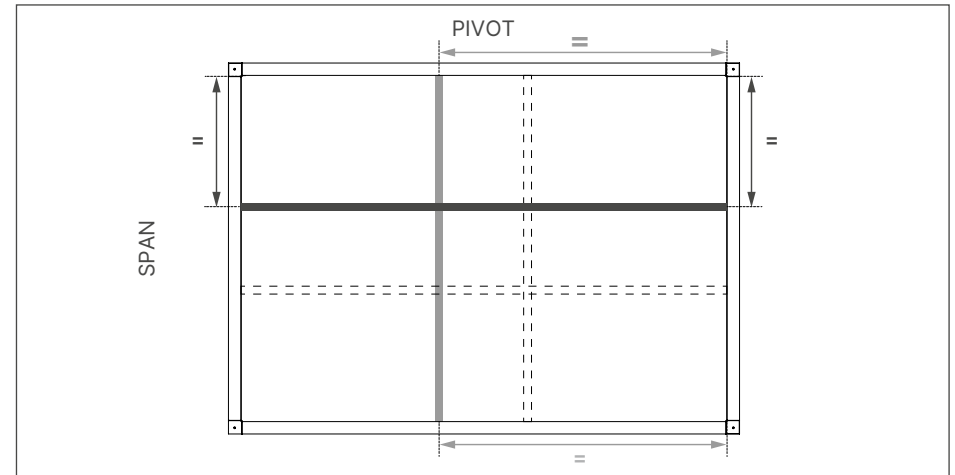
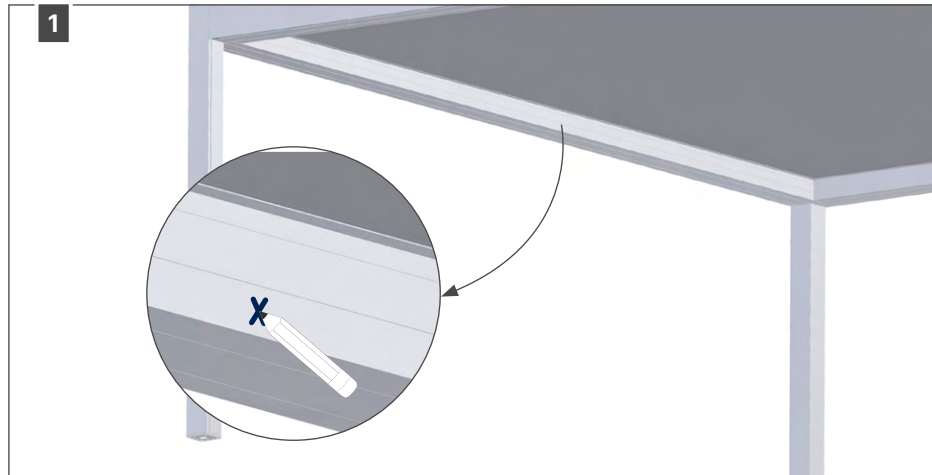


15.4 • Interconnecting cables

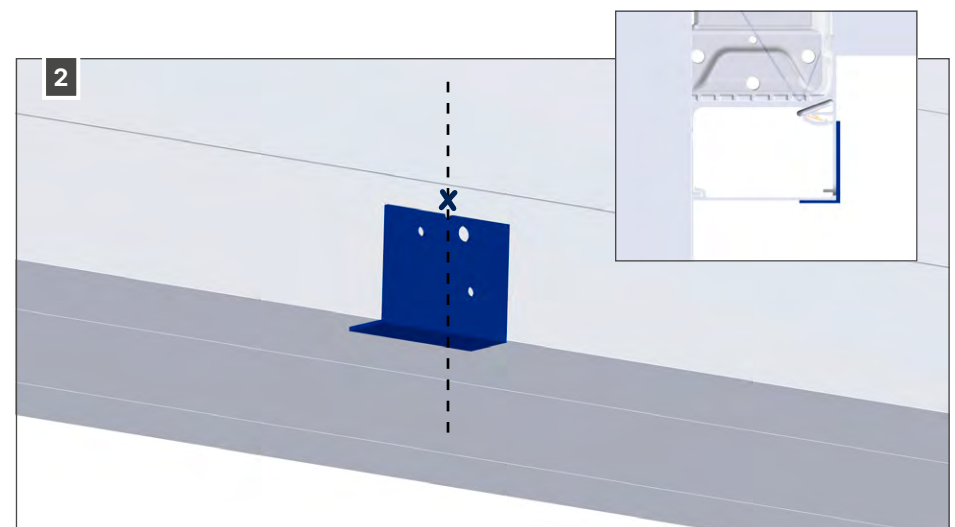
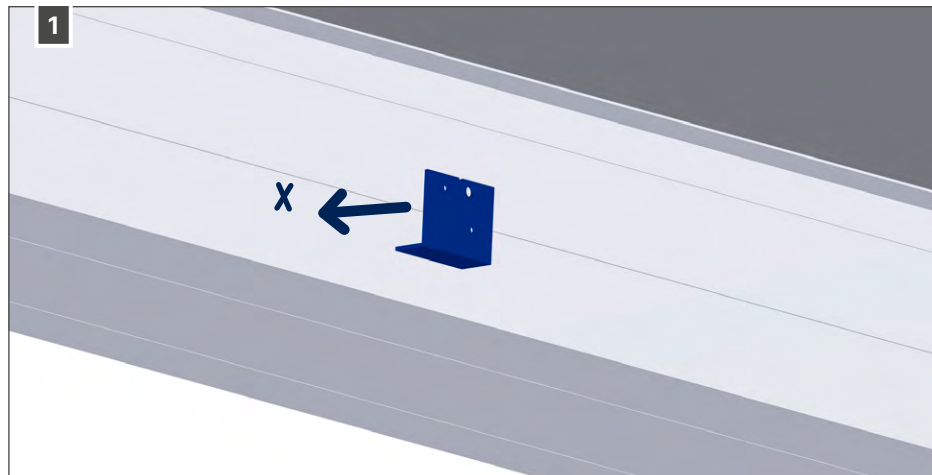


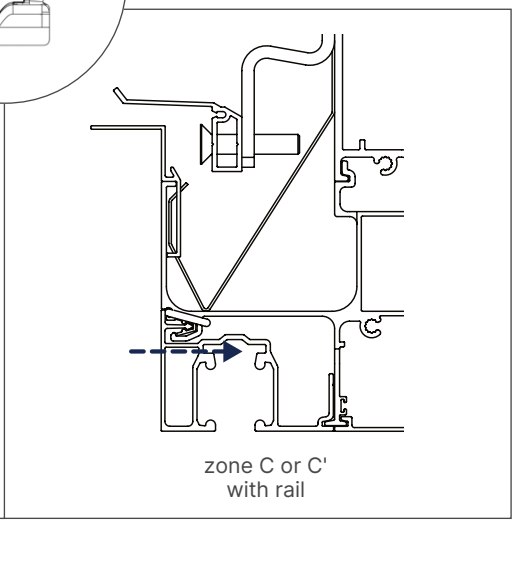
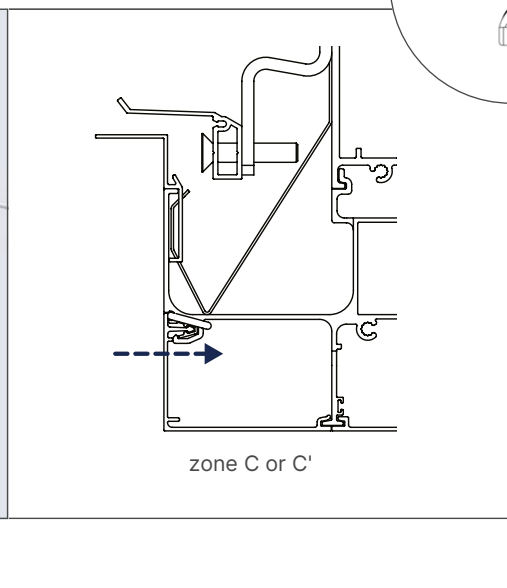
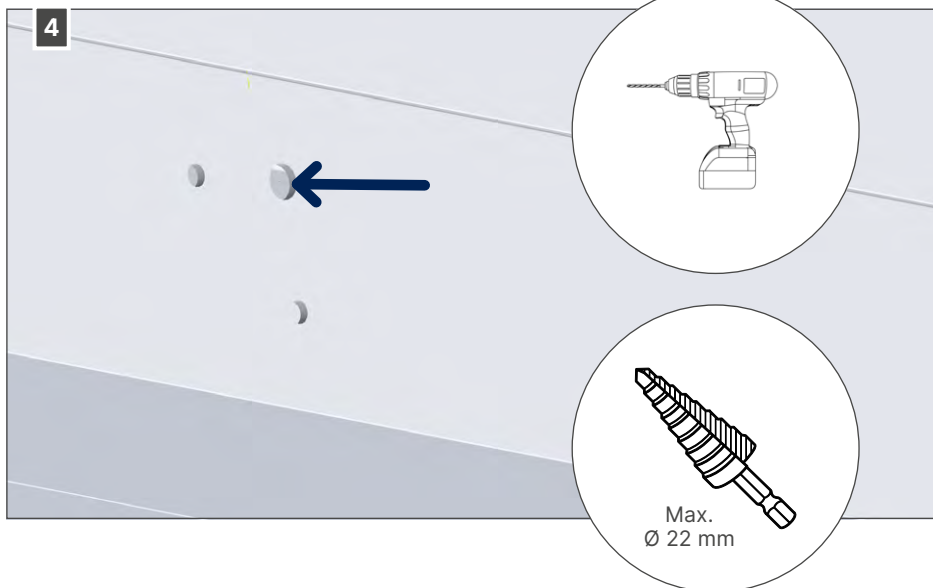
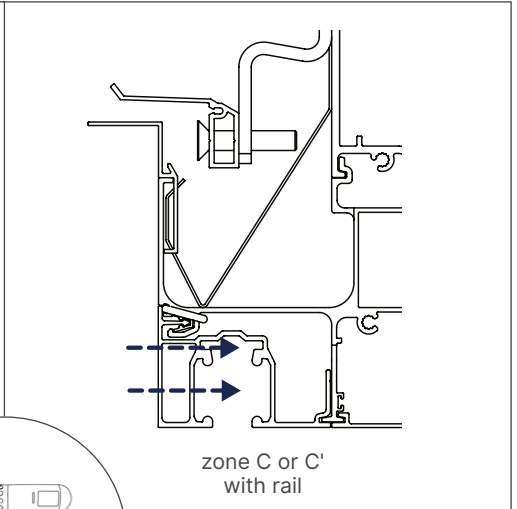
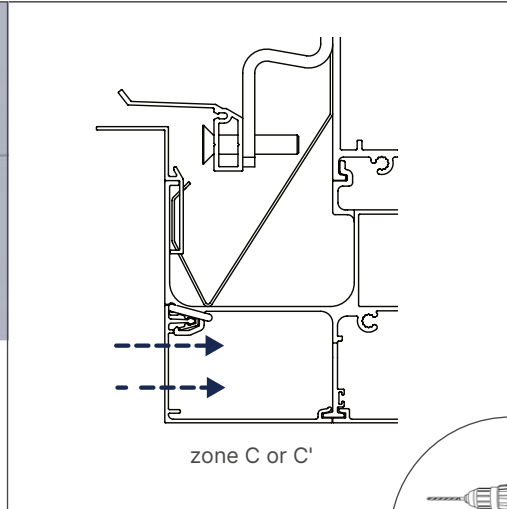
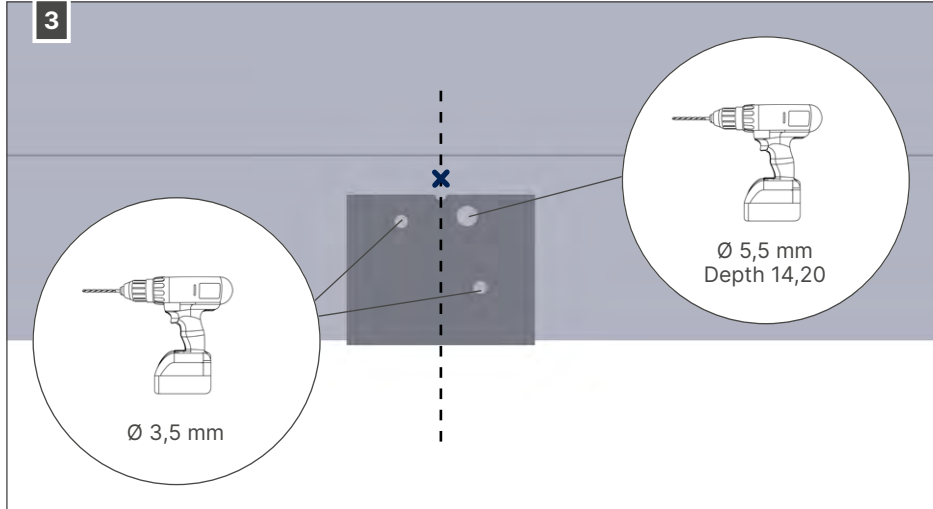
16 • LED beam fixed roof

16.1 • Determining the position of the LED beam

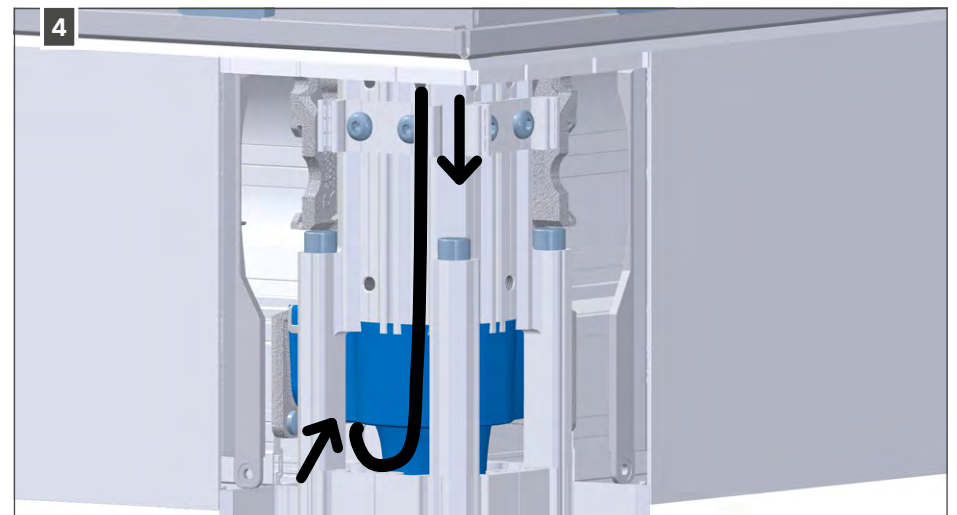
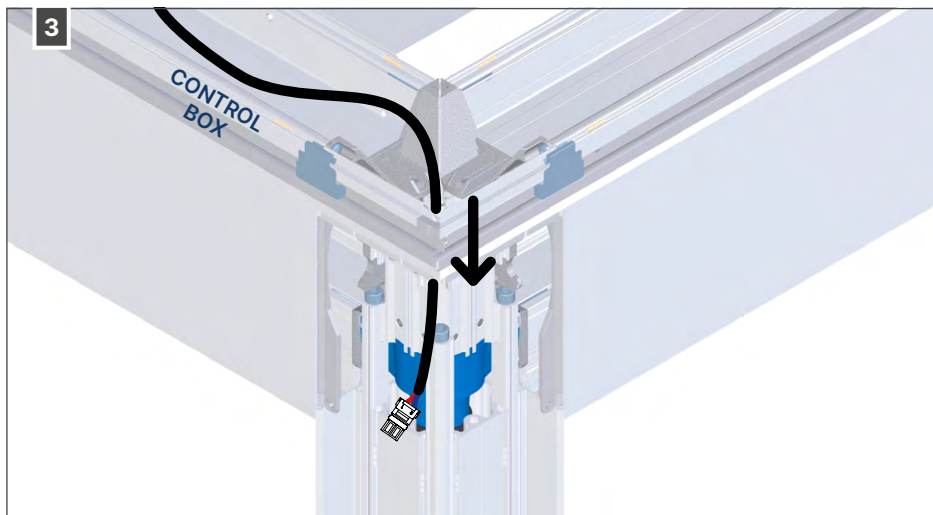
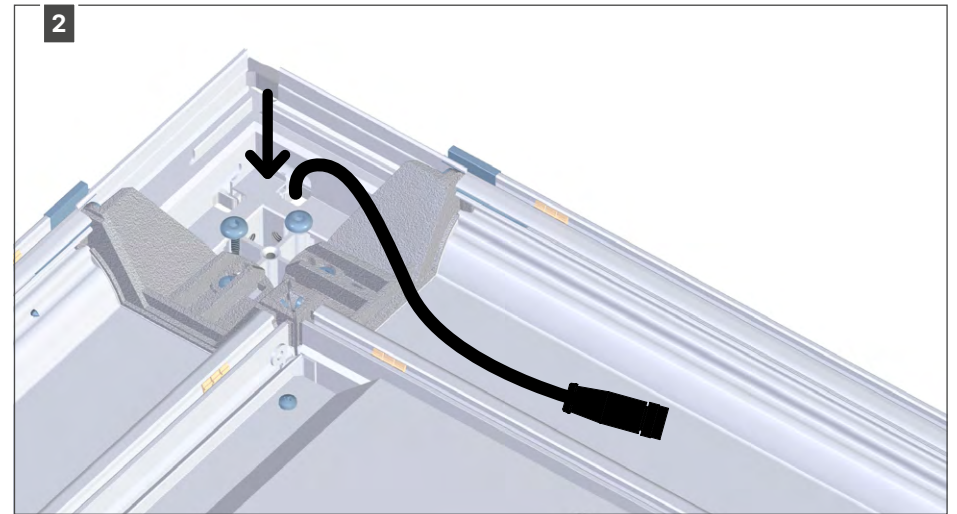
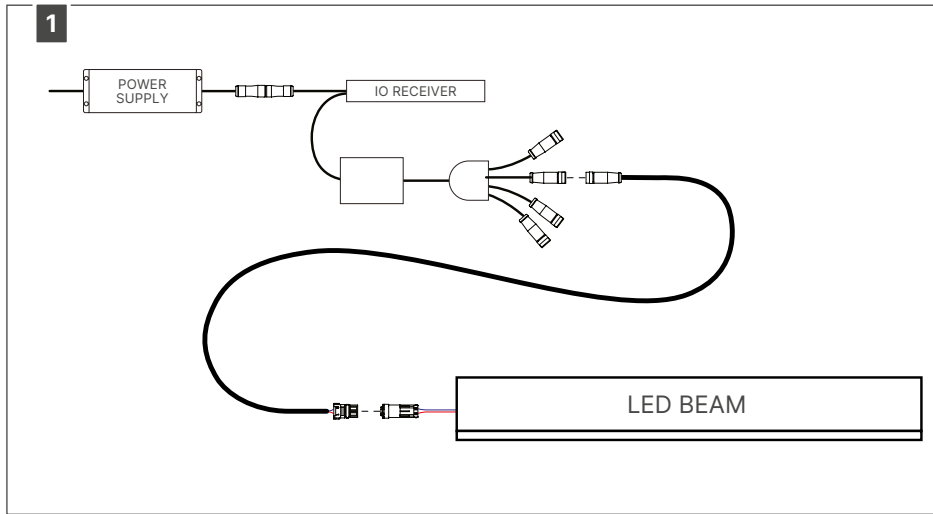


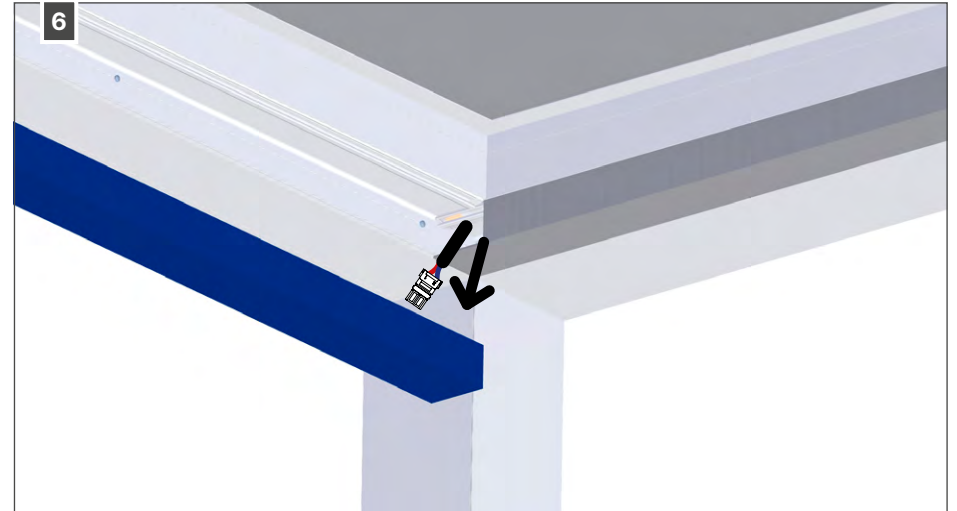
16.2 • Using the jig provided to drill holes



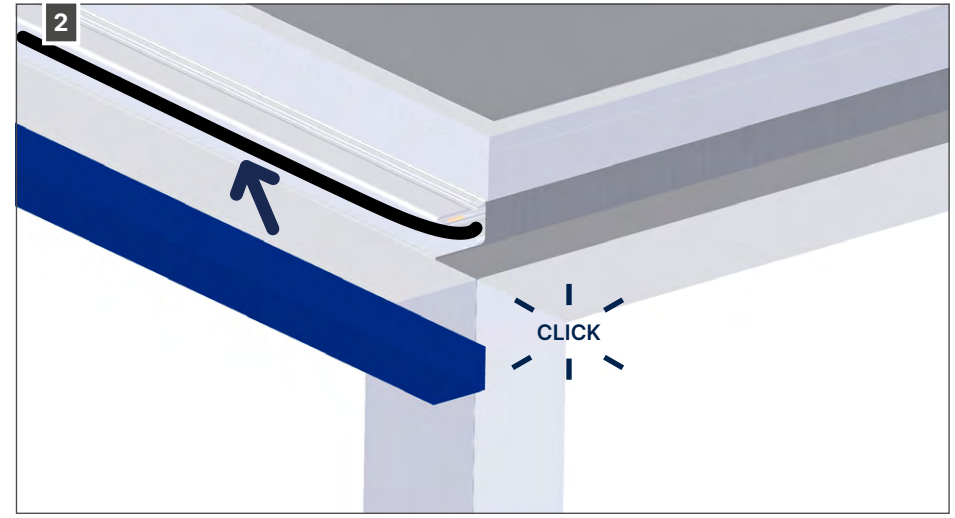
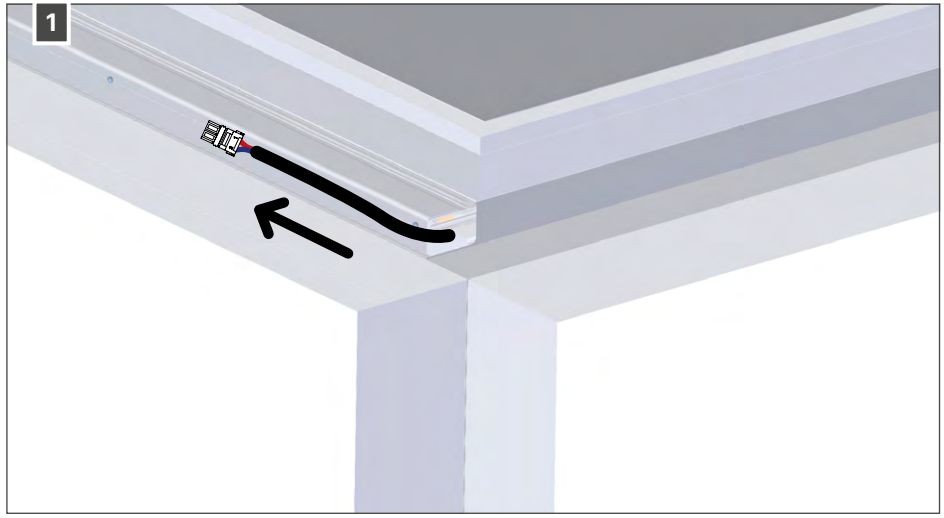


16.3 • Installation of wiring

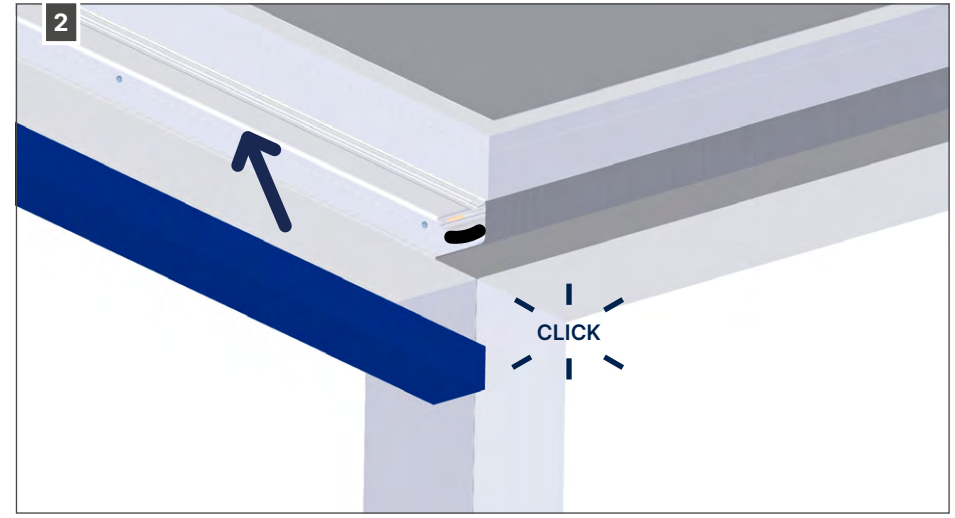
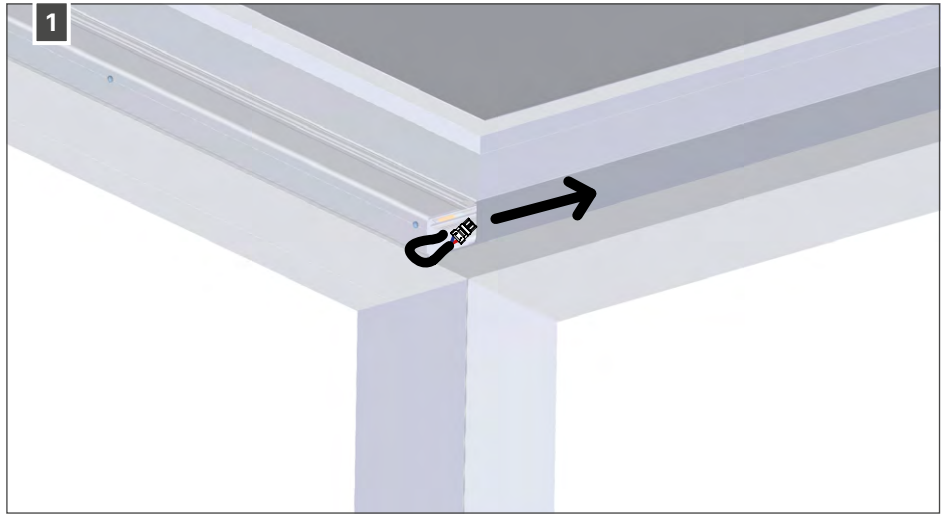




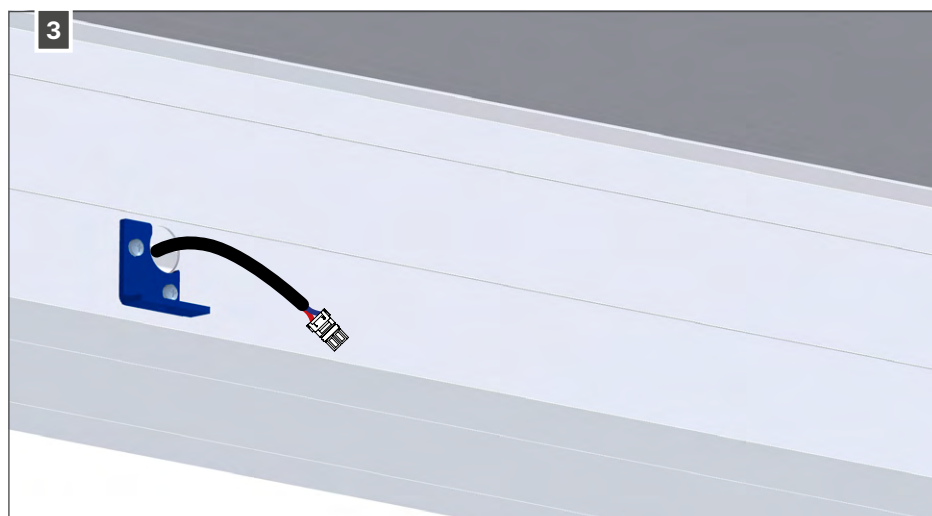
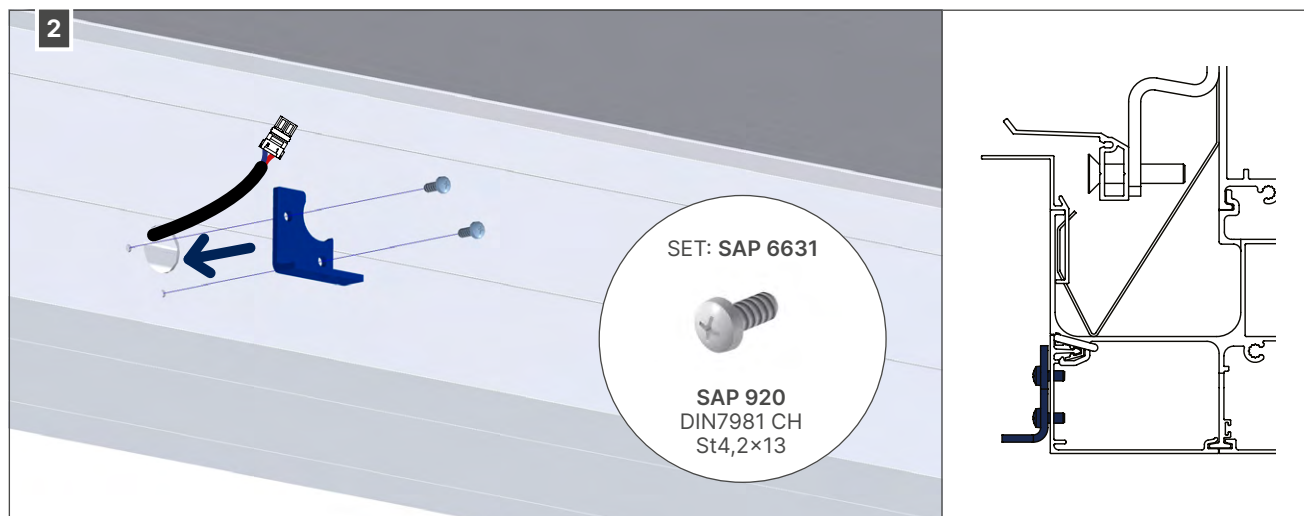
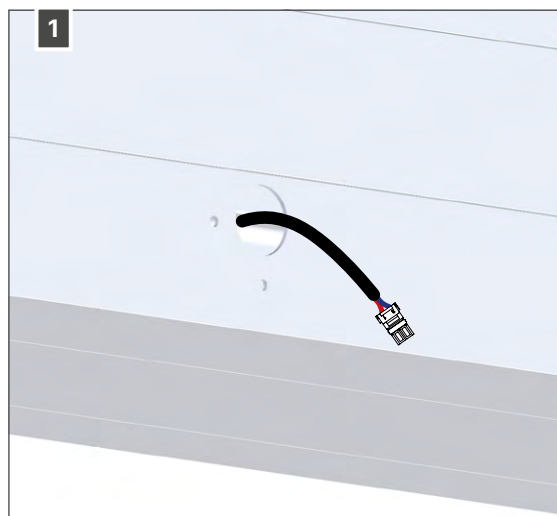
LED beam parallel to the pivot



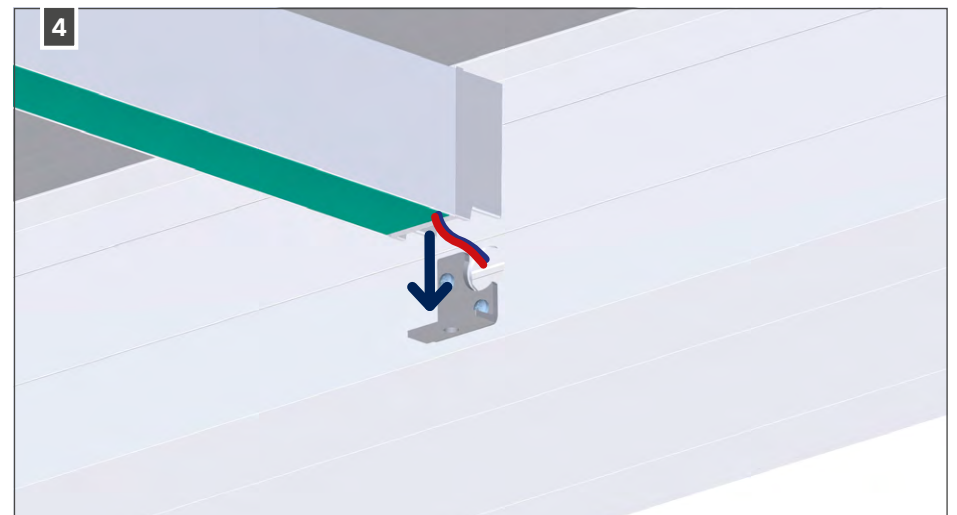
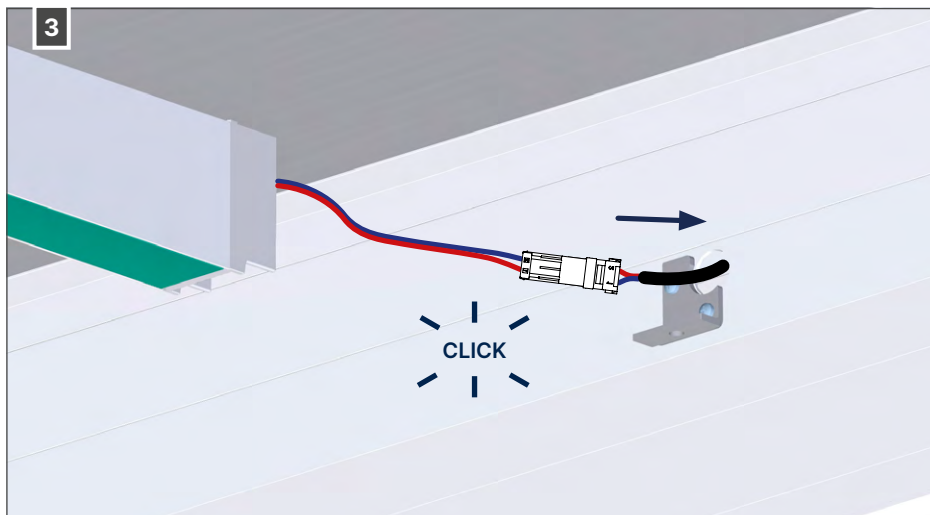
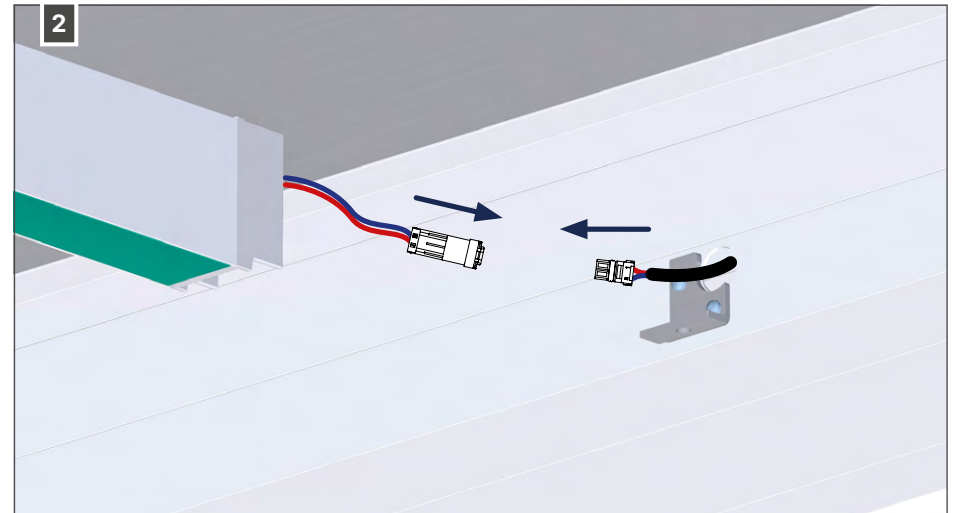
LED beam parallel to the span

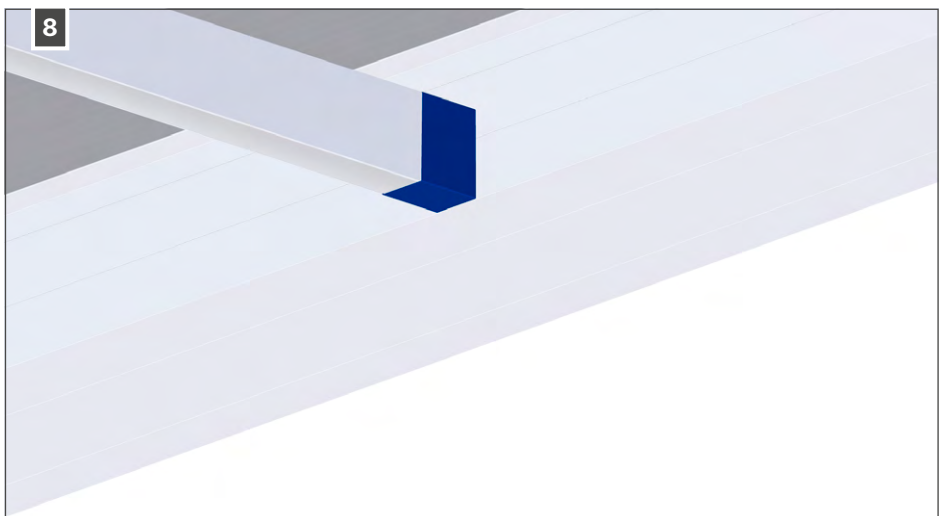
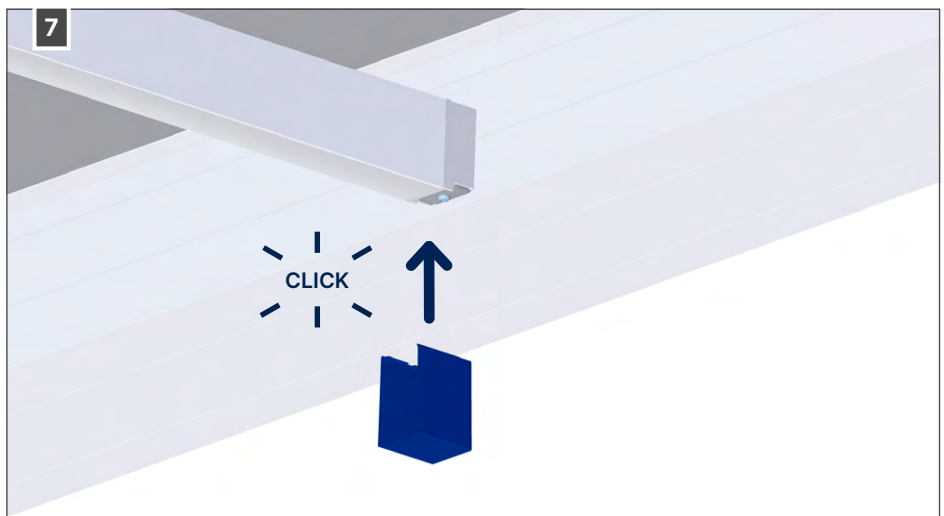
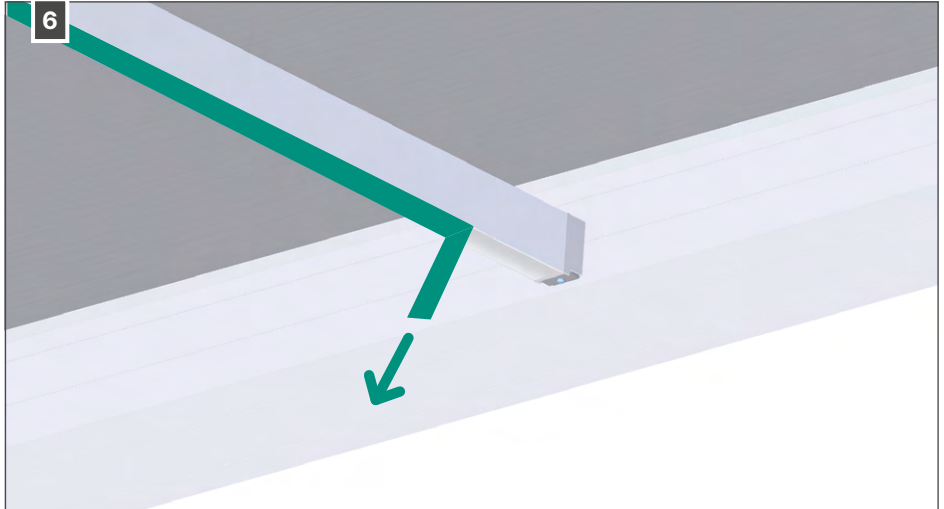
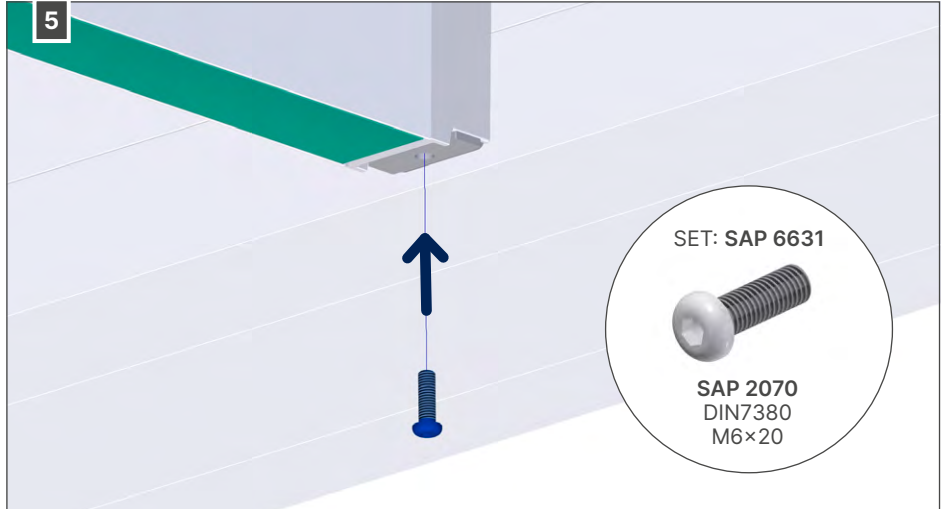


16.4 • Fitting the corner piece

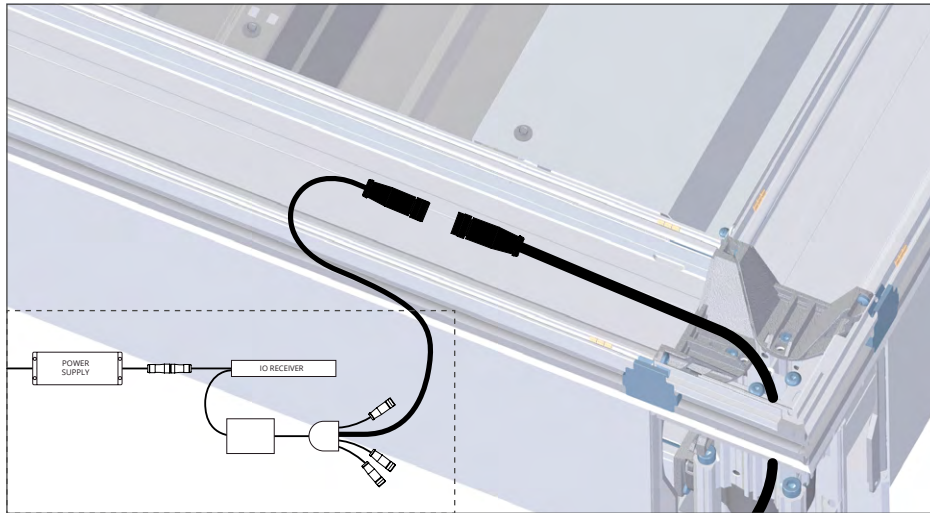


16.5 • Installation of LED beam





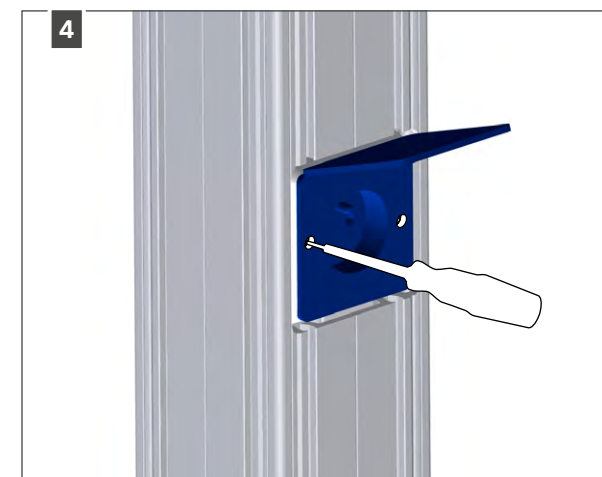
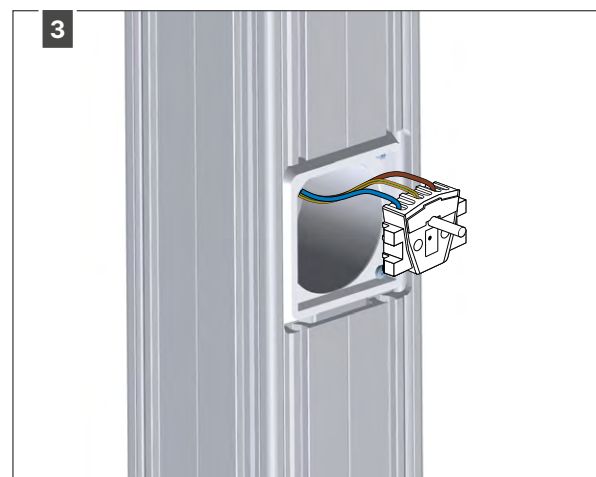
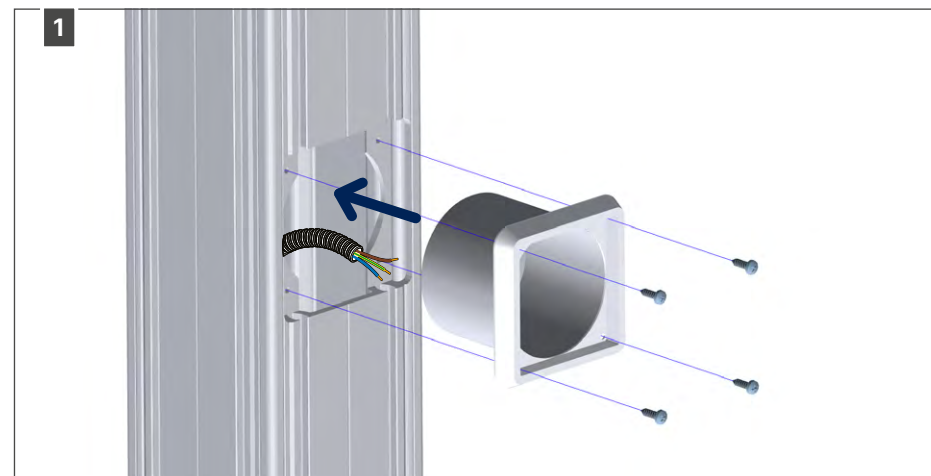
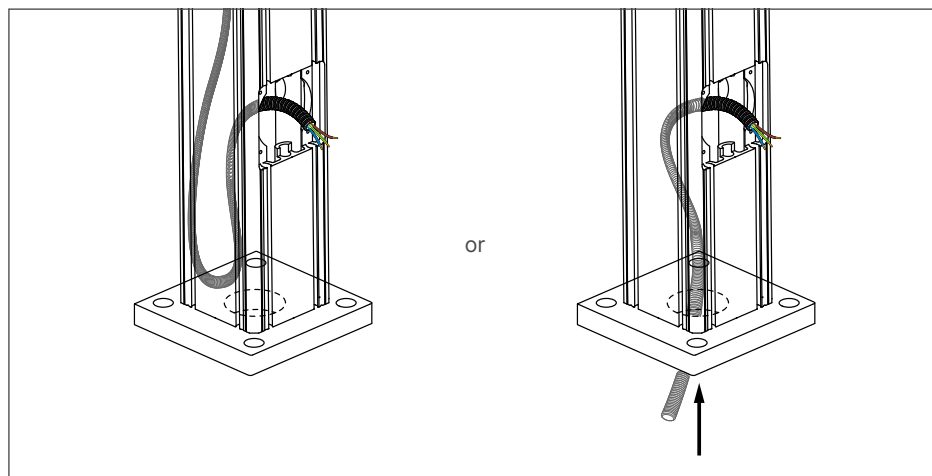
16.6 • Connecting the control unit



COMFORT AUTOMATION

17 • Power socket

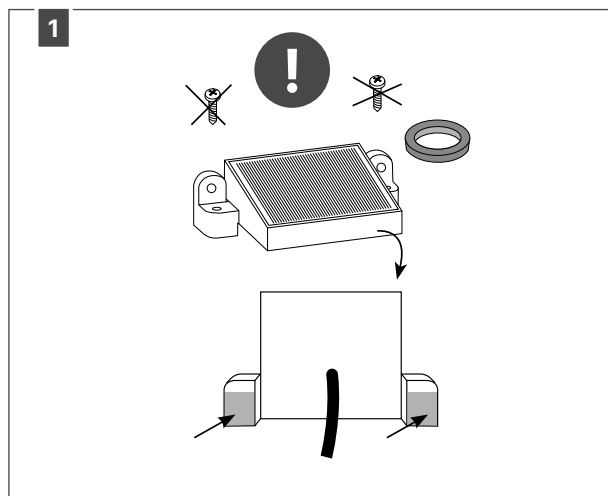
- SET: – SAP 6299 (usb power socket)
– SAP 6300 (power socket type F)
– SAP 6301 (power socket type E)
– SAP 6324 (empty power socket)



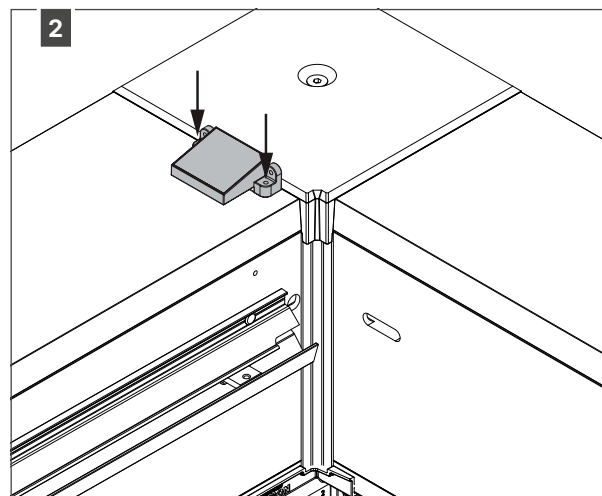
18 • Sensors

18.1 • Mounting the rain sensor

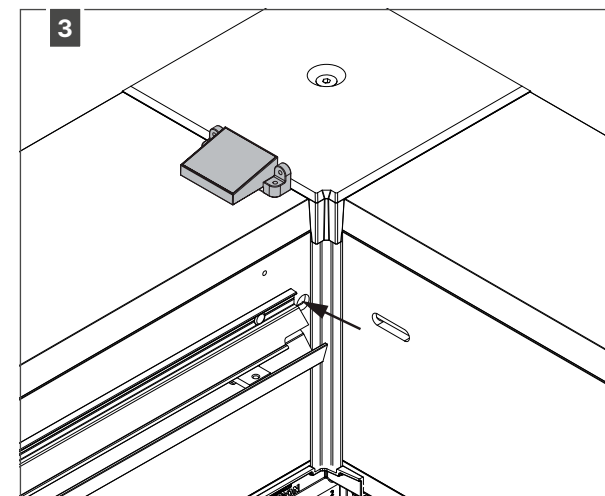
Strictly observe the installation instructions for the rain sensor to avoid intrusion of water.



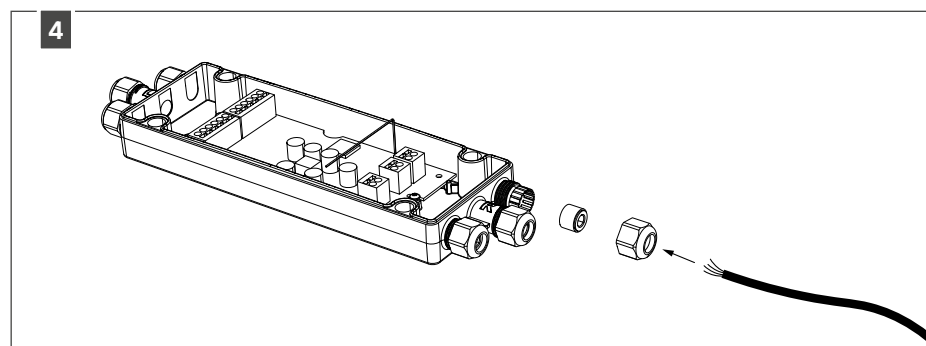
It is advisable to stick the rain sensor to the Amani. The rain sensor already has mounting tape affixed to its back, and a silicone ring is included.



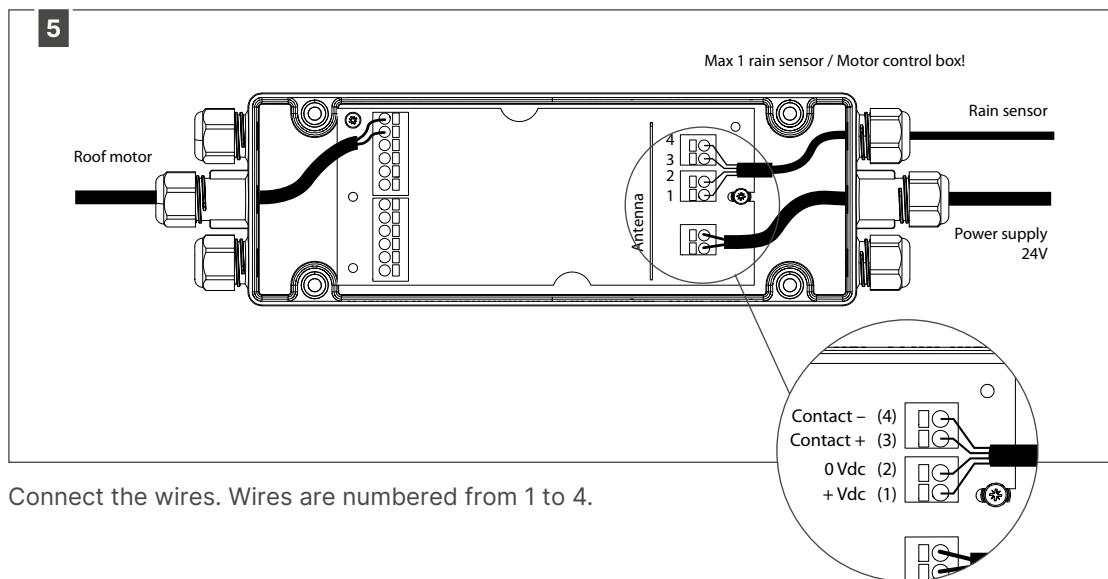
Note: if you still want to fix the rain sensor, screw it laterally to the top cover.



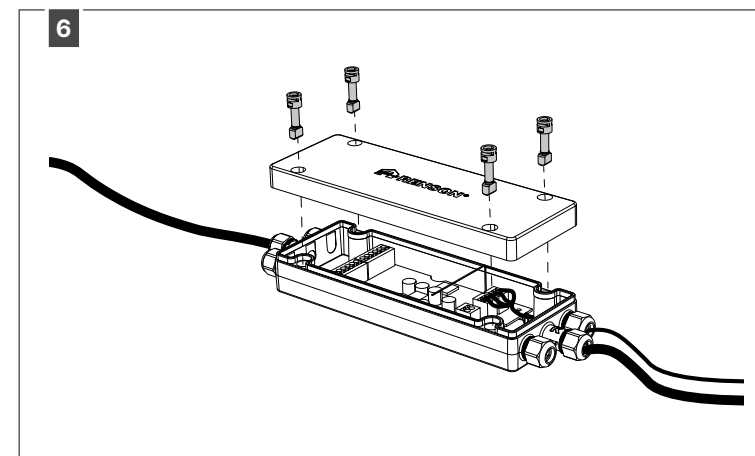
Feed the cable through the opening in the fixed blade.



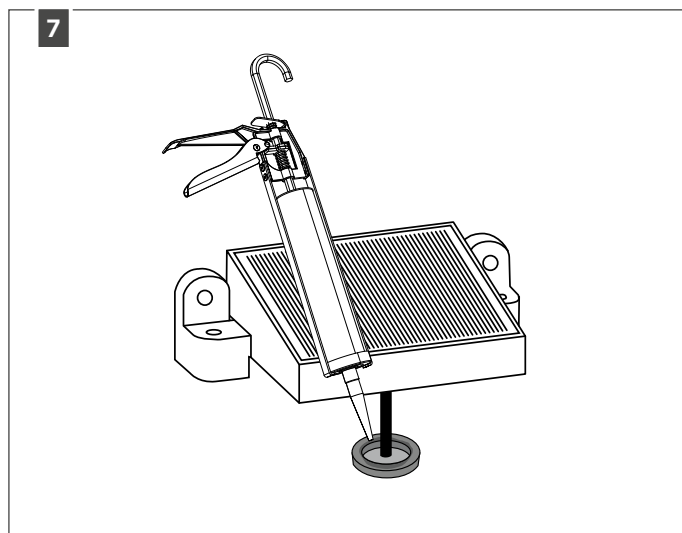
Open the cover of the connection box. Pierce the right grommet with the blue rubber. Put the cable of the rain sensor through this cable gland.



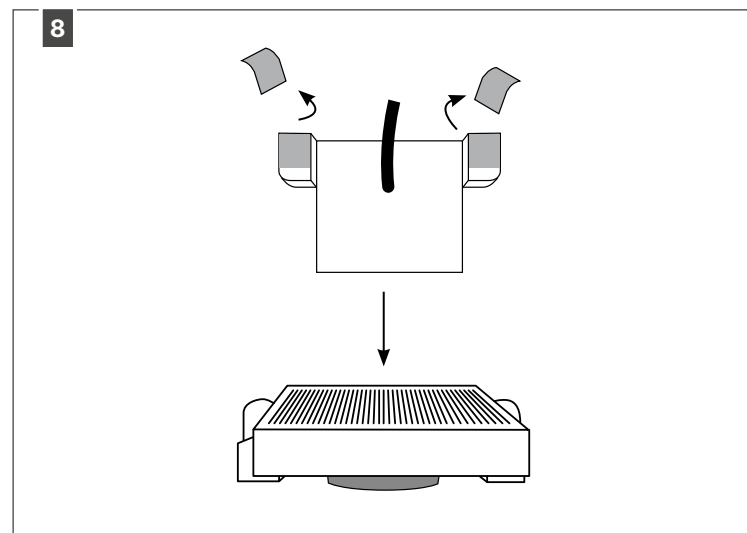
Connect the wires. Wires are numbered from 1 to 4.



Tighten the cable gland firmly. Replace the cover. Tighten the 4 screws securely.



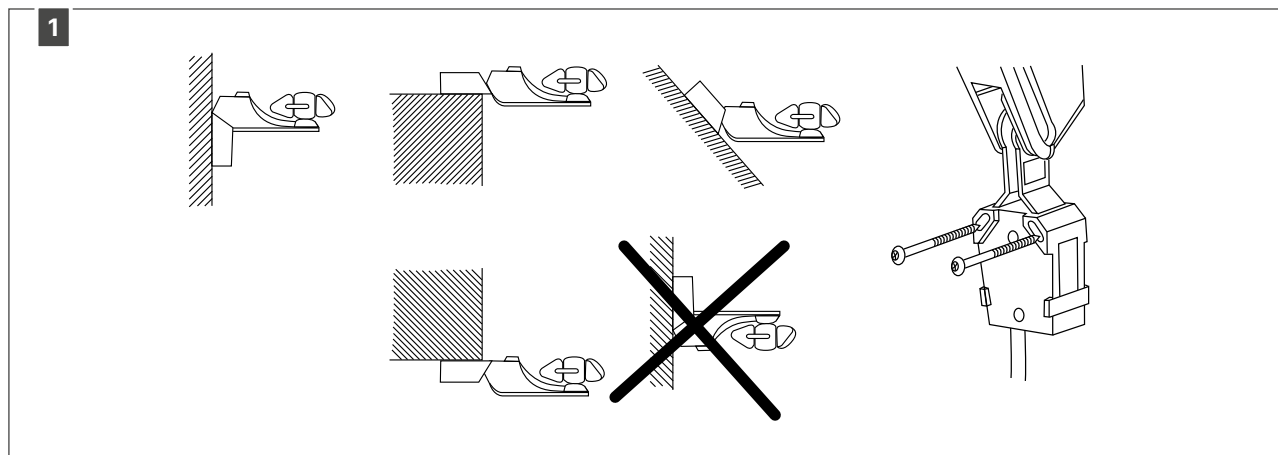
Mount the silicone ring on the location where you will mount the rain sensor. Fill the ring inside entirely with silicone and make sure that the silicone is even higher than the thickness of the ring.



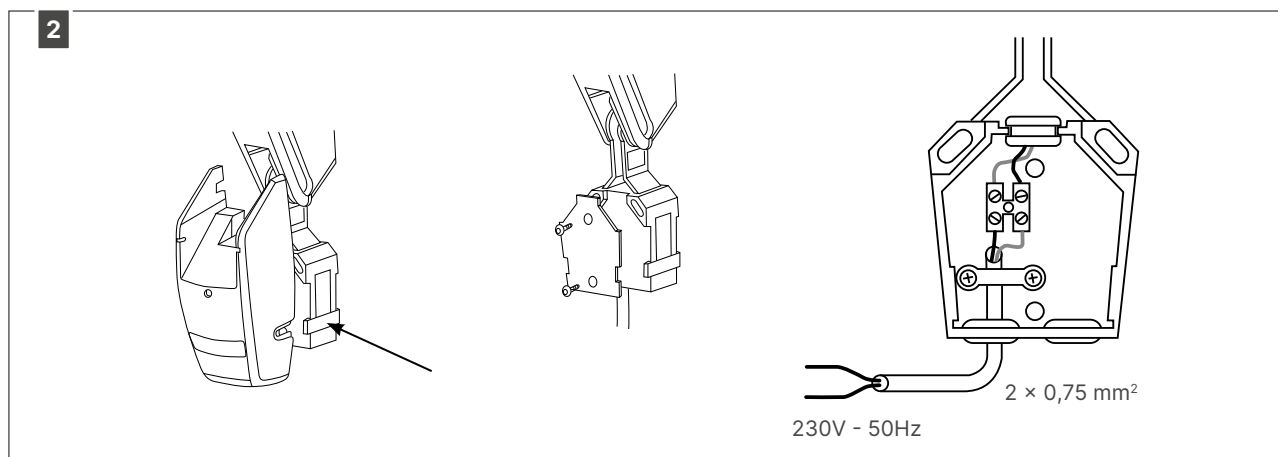
Remove the protective film from the fixation tape and stick the sensor onto the Amani structure.

Note: the fixation tape holds the sensor in place for first 24 hours, then the dried silicone does the job.

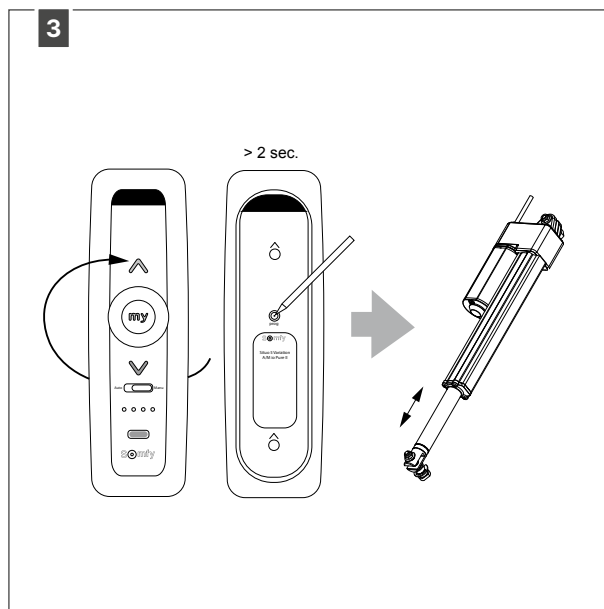
18.2 • Installing the wind sensor



Position the Somfy Eolis wind sensor in an open place.
The wind sensor can be installed at different angles and you fasten it with 2 screws.



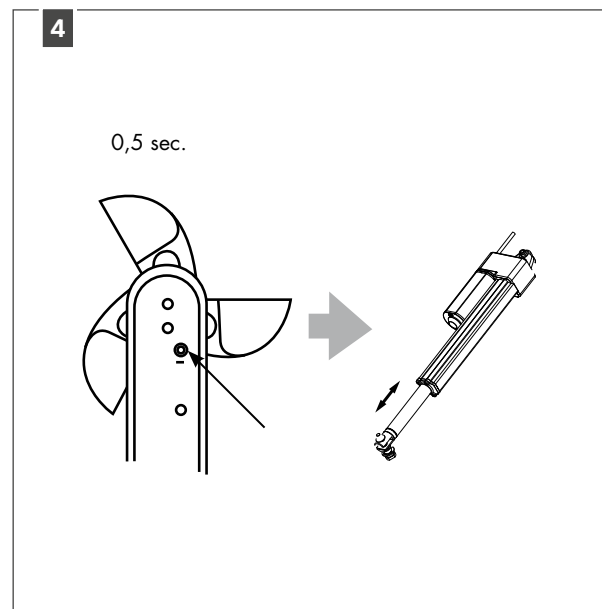
Open the wind sensor and connect a 230 V power supply.



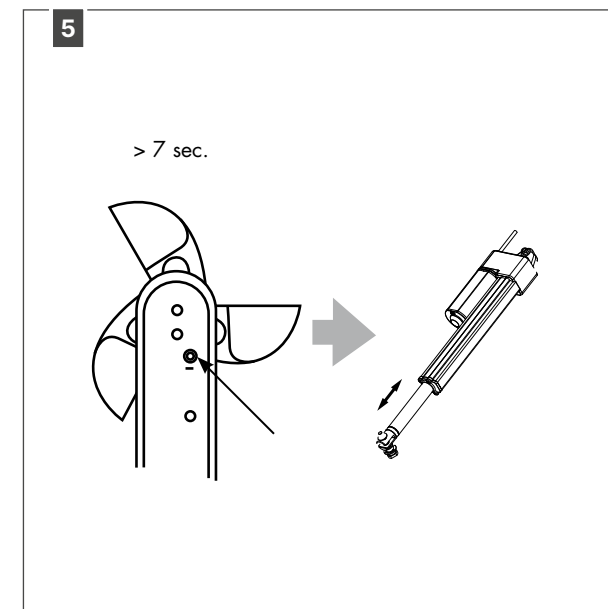
The wind sensor must be programmed. The motor must be in programming mode in order to program the Eolis wind sensor.

Press the PROG button for 2 seconds on the rear of the Situo io hand-held remote, which you will use to control the motor, until the drive makes a short inward and outward movement.

Note: Up to 3 different wind sensors can be programmed for one motor. One wind sensor can also be programmed for different motors.



Press briefly on the 'program' button of the Eolis wind sensor. The drive makes a short outward and inward movement for confirmation. The wind sensor is programmed.



Returning to the default settings for the windsensor
Press more than 7 seconds on the 'program' button of the Eolis wind sensor, until the drive makes a short outward and inward movement.

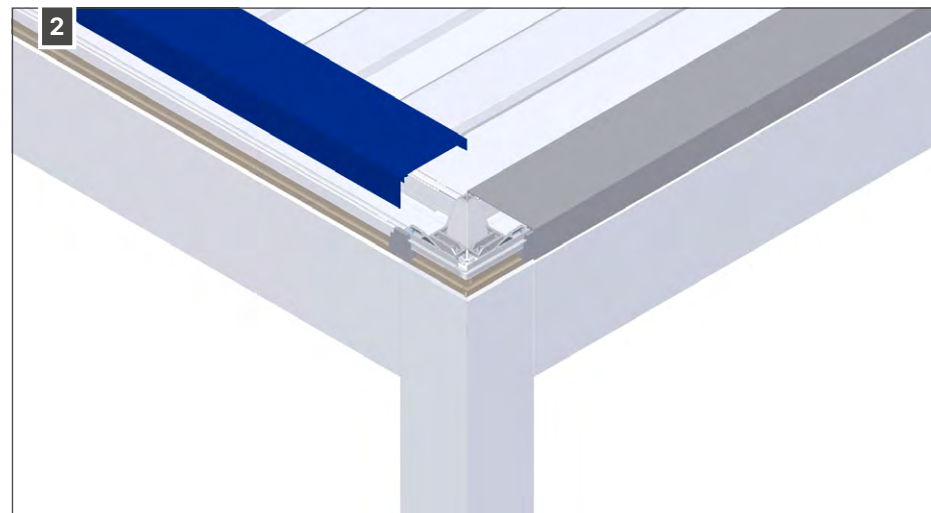
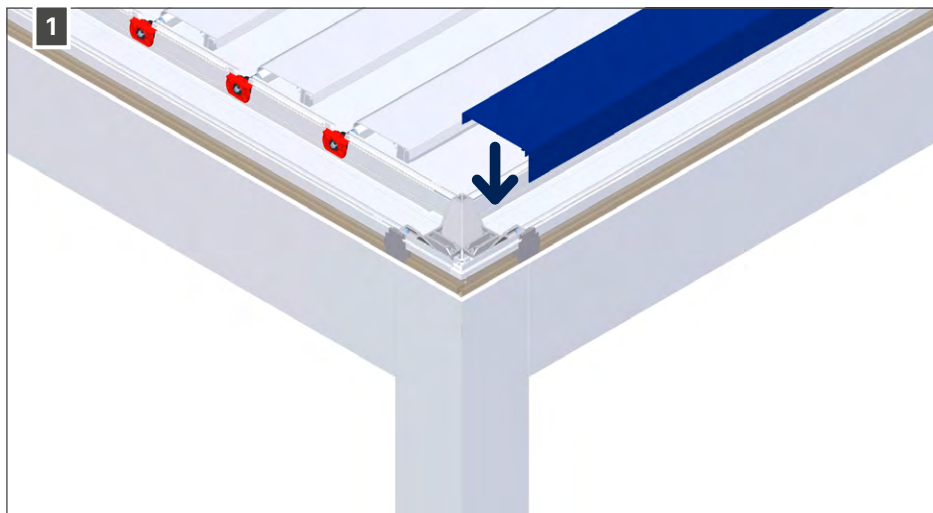
CONSTRUCTION FINISHING



Please test all the lighting before installing the top covers.

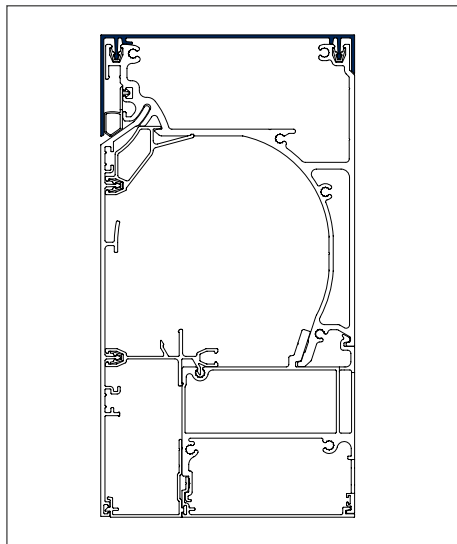
19 • Finishing

19.1 • Installation of top covers

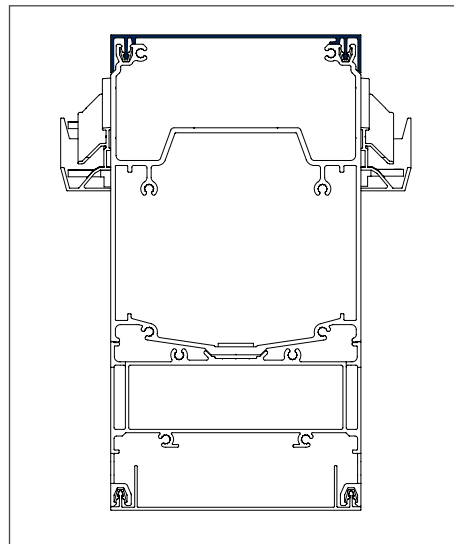


Overview of the different top covers

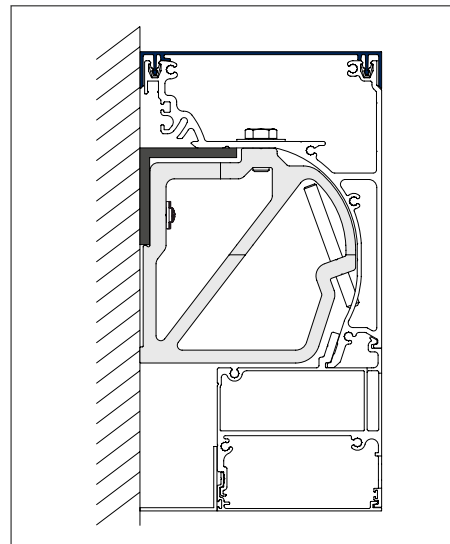
Standard beam



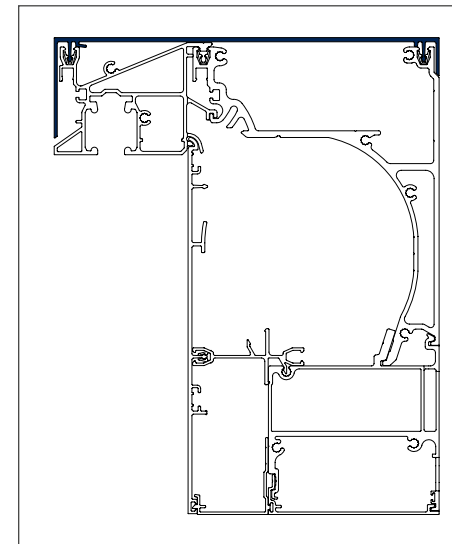
Coupling beam



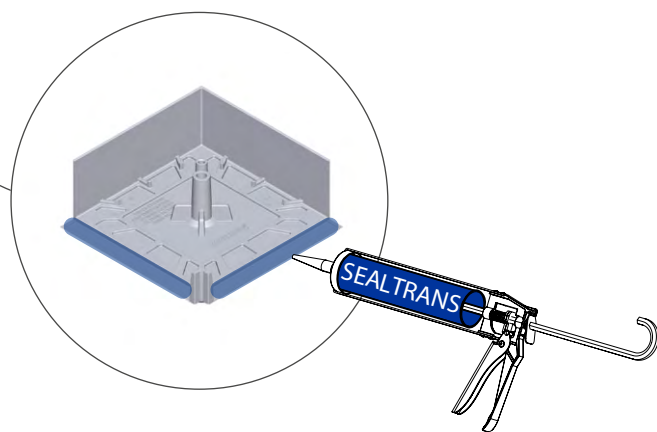
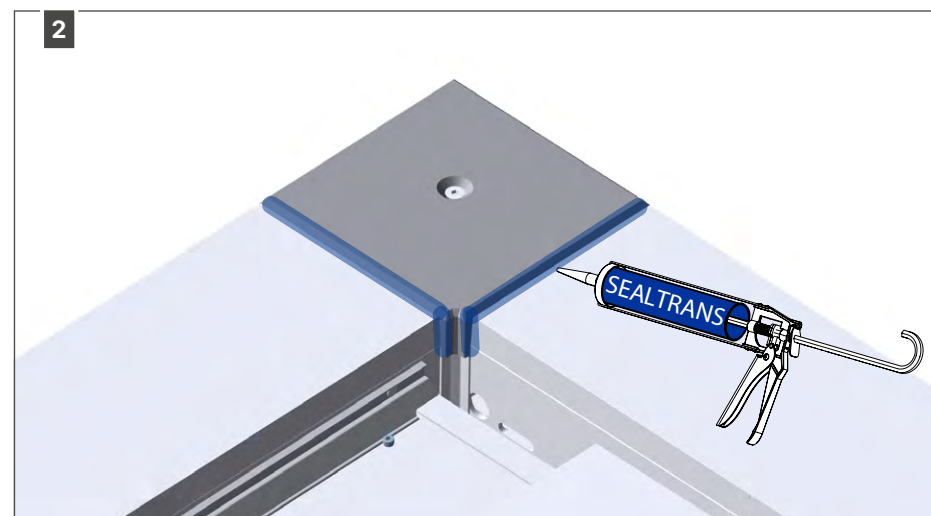
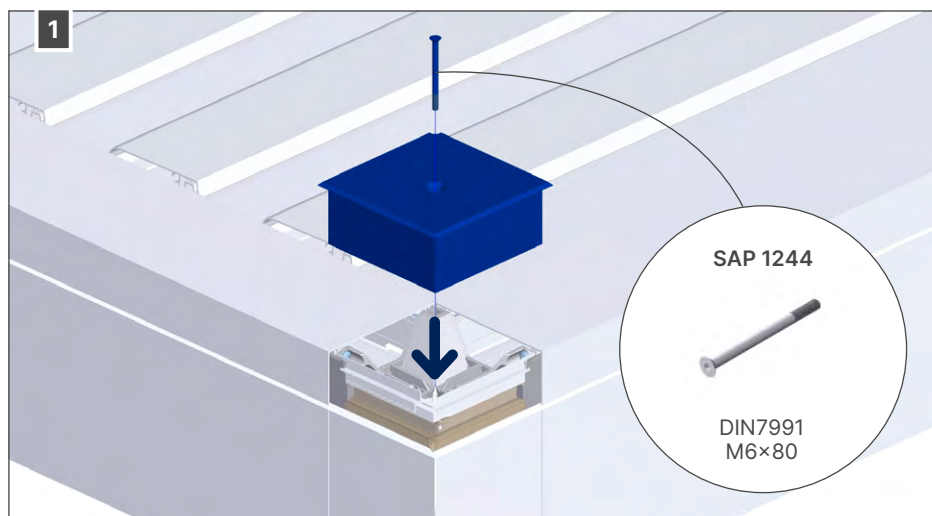
Beam against the wall



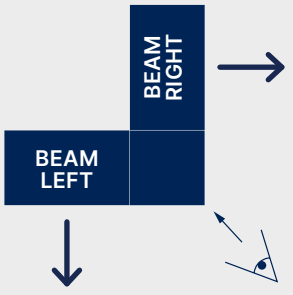

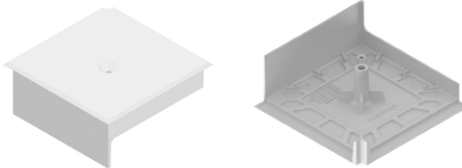

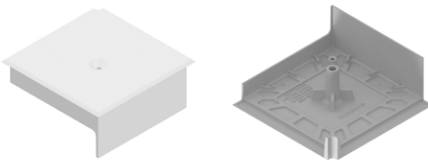
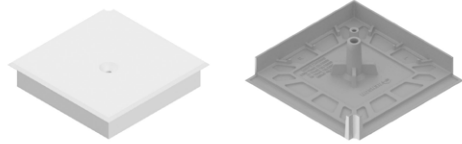
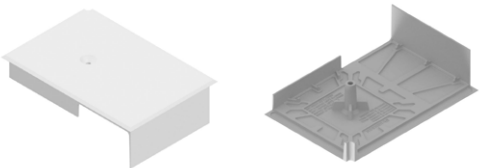
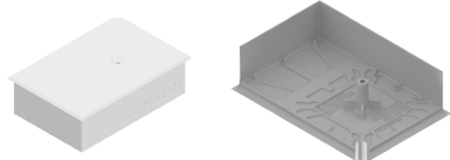
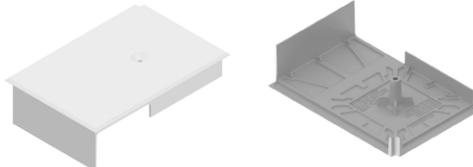

Beam with Loggia in zone A



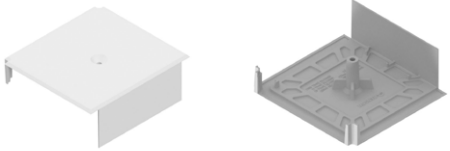
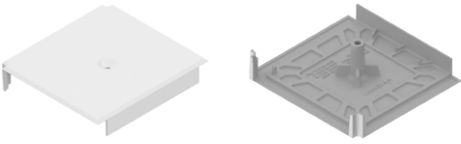
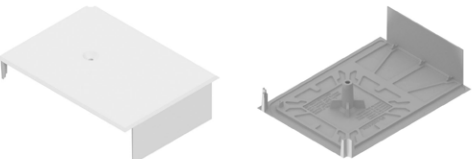
19.2 • Installation of upper corner caps



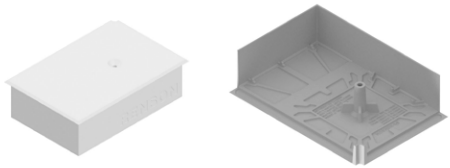

Overview of upper corner caps of an L junction

	Standard	Wall	Loggia Zone A
Standard	 <p>SAP 6815</p>	 <p>SAP 3628</p>	 <p>SAP 3631</p>
Wall	 <p>SAP 3629</p>	 <p>SAP 3630</p>	 <p>SAP 3634</p>
Loggia Zone A	 <p>SAP 3632</p>	 <p>SAP 3633</p>	 <p>SAP 3635</p>

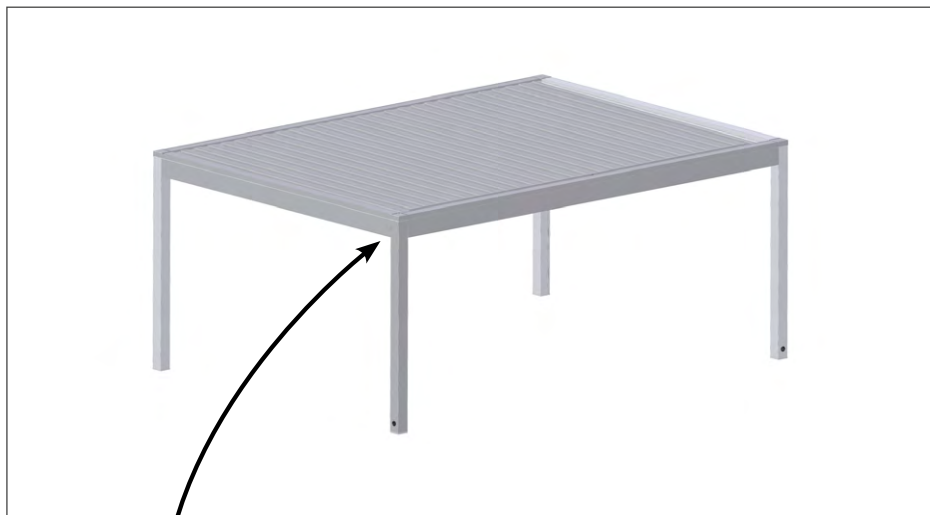
Overview of upper corner caps of a T junction

Standard	Wall	Loggia Zone A
 <p data-bbox="353 566 465 598">SAP 3636</p>	 <p data-bbox="907 566 1019 598">SAP 3637</p>	 <p data-bbox="1444 566 1556 598">SAP 3638</p>

Overview special corner caps

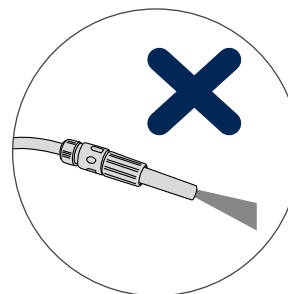
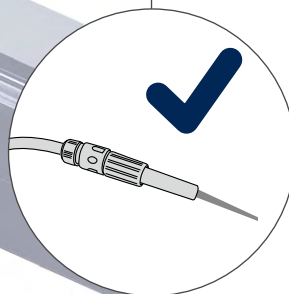
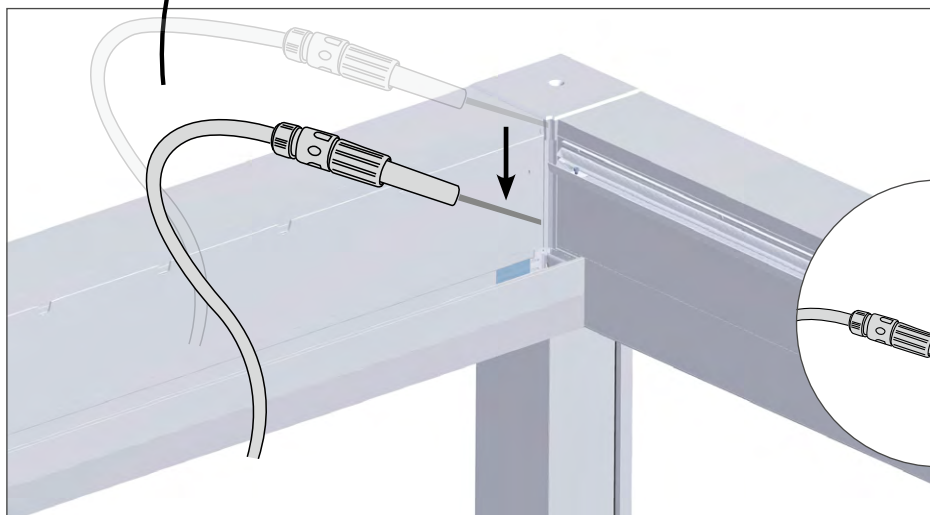
Loggia Zone A + wall stops at column	
<p data-bbox="174 909 235 933">Left</p>  <p data-bbox="358 1109 470 1141">SAP 3632</p>	
<p data-bbox="174 1173 235 1197">Right</p>  <p data-bbox="358 1380 470 1412">SAP 3631</p>	

19.3 • Water test 2: checking the nodes



Test the nodes to ensure that they are watertight.
Do this as follows:

- This requires that the following installation steps have already been carried out:
 1. Vertical finishing profile in the inside corners is already installed.
 2. The corner and finishing caps are already installed.
 3. Finishing caps are already sealed.
 4. The blades are already installed.
 5. The remaining overhang is sealed.
 6. The cover plates at the nodes without columns are installed.
- Use a garden hose to direct a small jet onto the span - pivot connection. Start below against gutter endcap and slowly move upward to the node of the finishing cap.
- Check for water infiltration below the node. Do this for all span - pivot connections.



All photos shown are for illustrative purposes; the actual product may vary due to product placement.
Renson® reserves the right to make technical changes to the products described in this brochure.
The most recent product information, availability, and your local distributor can always be found on www.renson.eu

